



US00D829480S

(12) **United States Design Patent**
Kim et al.

(10) **Patent No.:** **US D829,480 S**

(45) **Date of Patent:** **** Oct. 2, 2018**

(54) **ESPRESSO MACHINE**

(71) Applicant: **Starbucks Corporation**, Seattle, WA
(US)

(72) Inventors: **Andre Y. Kim**, Seattle, WA (US);
Stephen P. Ostby, Seattle, WA (US);
James J. Altree, Sammamish, WA (US)

(73) Assignee: **Starbucks Corporation**, Seattle, WA
(US)

(**) Term: **15 Years**

(21) Appl. No.: **29/572,949**

(22) Filed: **Aug. 1, 2016**

(51) **LOC (11) Cl.** **07-01**

(52) **U.S. Cl.**
USPC **D7/309**; D7/311

(58) **Field of Classification Search**
USPC D7/306-311, 397, 399, 305, 373;
99/295; D20/1, 4; D15/80
CPC A47J 31/3614; A47J 31/4403; A47J 31/46;
A47J 31/0642; A47J 31/3628; A47J
31/4407
See application file for complete search history.

(56) **References Cited**

U.S. PATENT DOCUMENTS

D191,114 S * 8/1961 Boseman D22/141
D300,295 S * 3/1989 Cortese D7/305

D505,821 S * 6/2005 Liebe D7/305
D807,098 S * 1/2018 De' Longhi D7/309
D807,100 S * 1/2018 De' Longhi D7/309
D807,101 S * 1/2018 De' Longhi D7/309
D807,675 S * 1/2018 De' Longhi D7/309

* cited by examiner

Primary Examiner — Marianne Pandozzi

(74) *Attorney, Agent, or Firm* — Knobbe Martens Olson
& Bear LLP

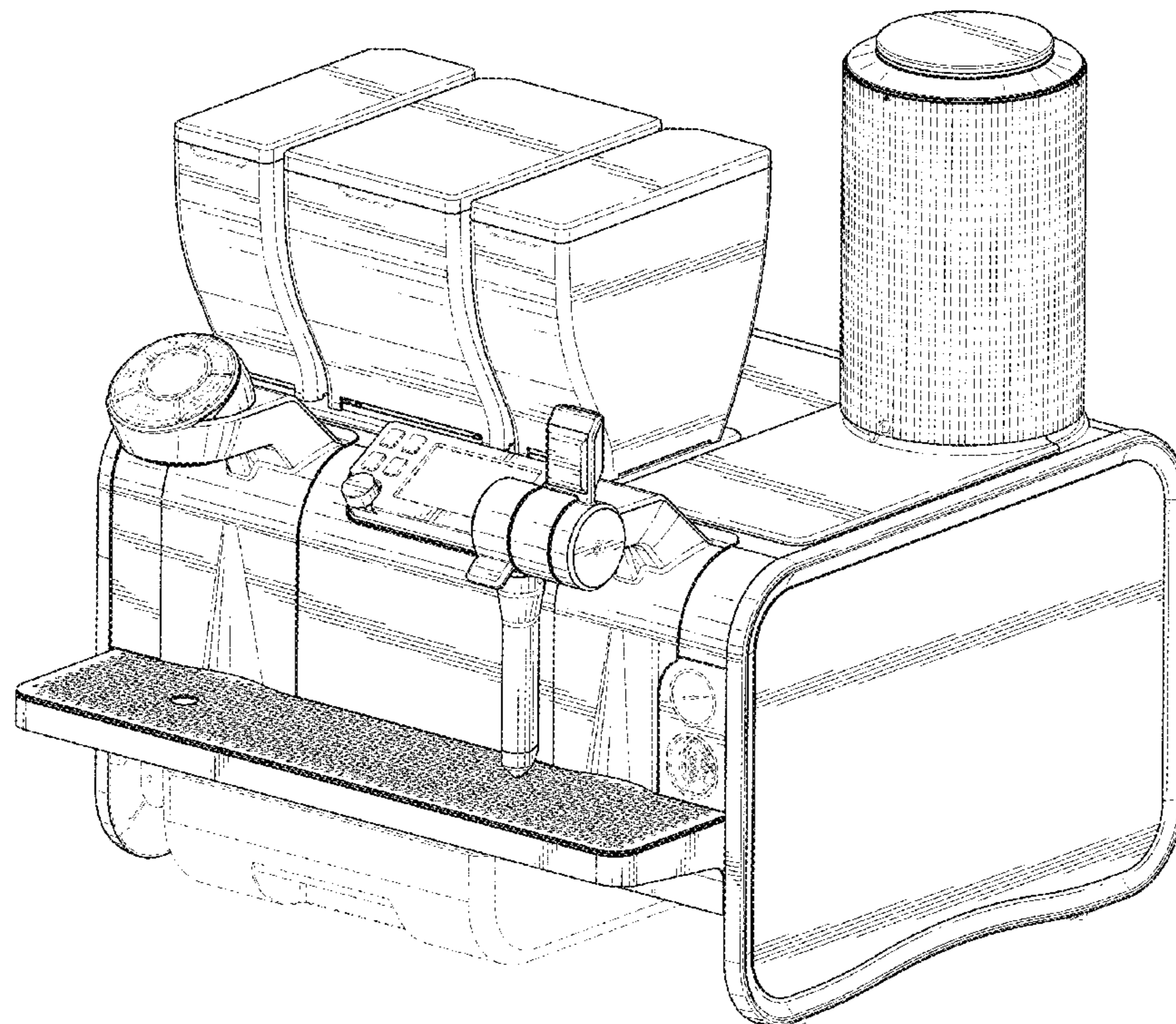
(57) **CLAIM**

We claim the ornamental design for an espresso machine, as shown and described.

DESCRIPTION

FIG. 1 is a top, front, and left side perspective view of an espresso machine embodying our design;
FIG. 2 is a rear, bottom, and right side perspective view thereof;
FIG. 3 is a front view thereof;
FIG. 4 is a rear view thereof;
FIG. 5 is a right side view thereof;
FIG. 6 is a left side view thereof;
FIG. 7 is a top view thereof; and,
FIG. 8 is a bottom view thereof.
The broken lines shown in the figures represent portions of the espresso machine that form no part of the claimed design.

1 Claim, 8 Drawing Sheets



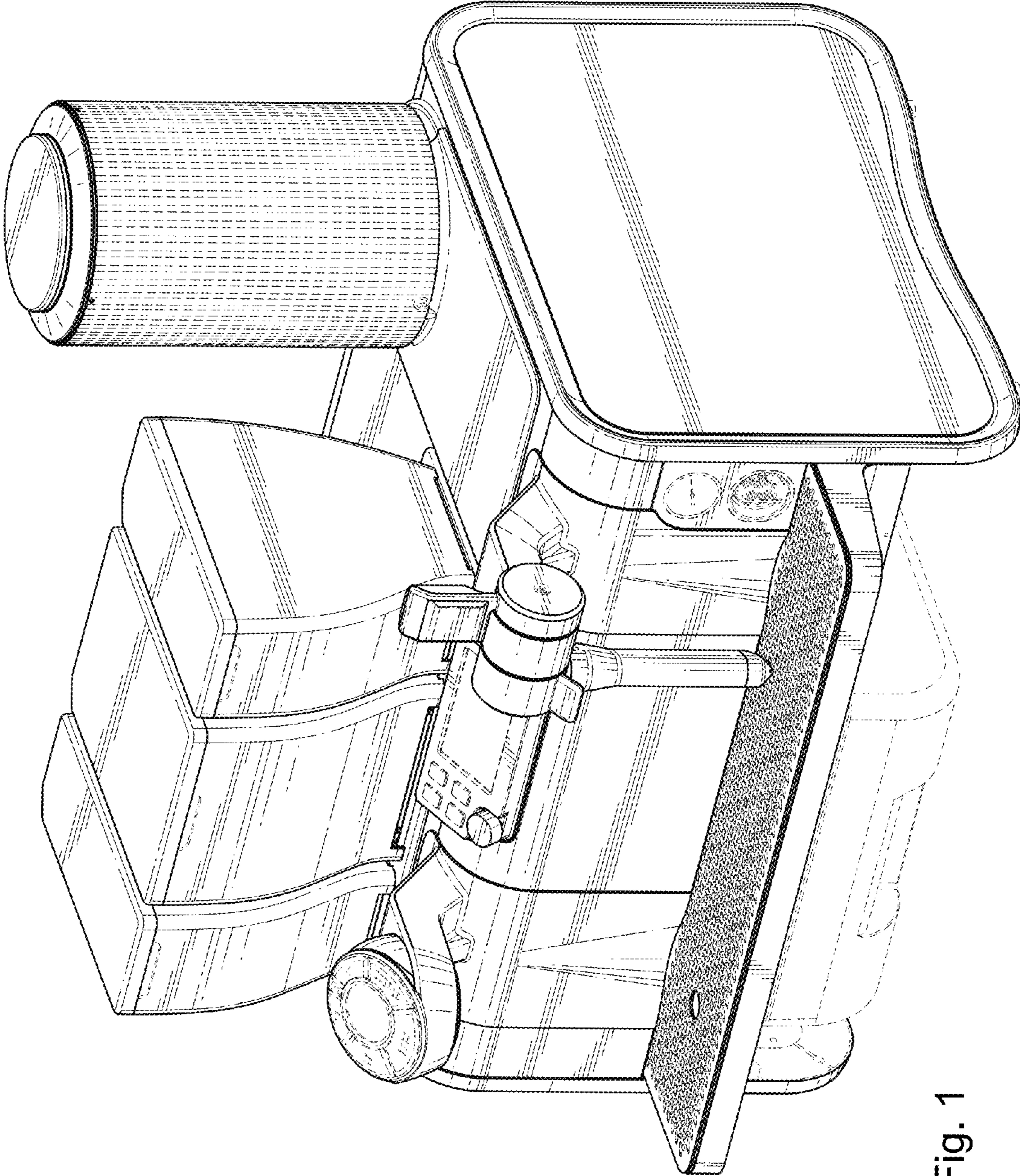


Fig. 1

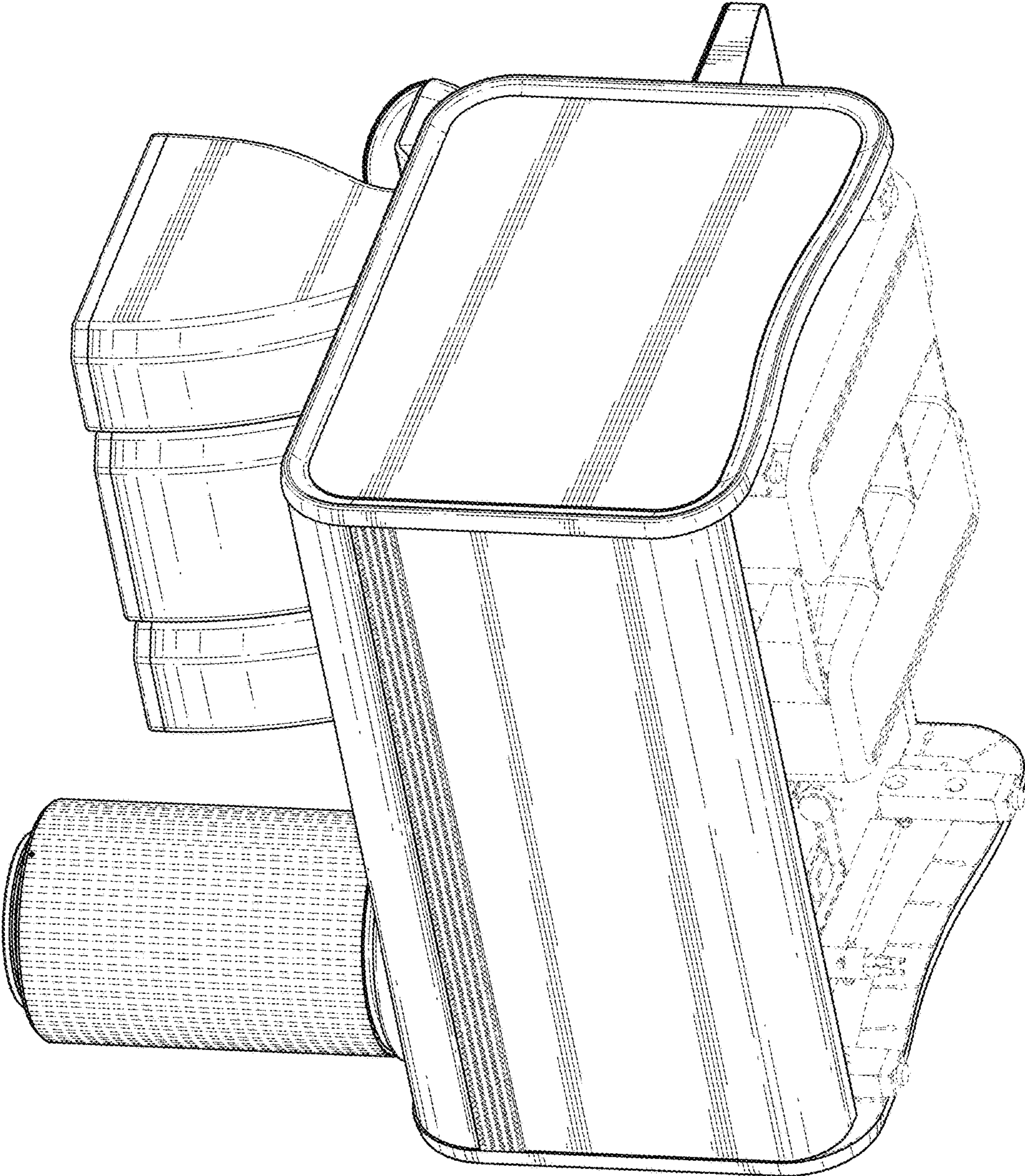


Fig. 2

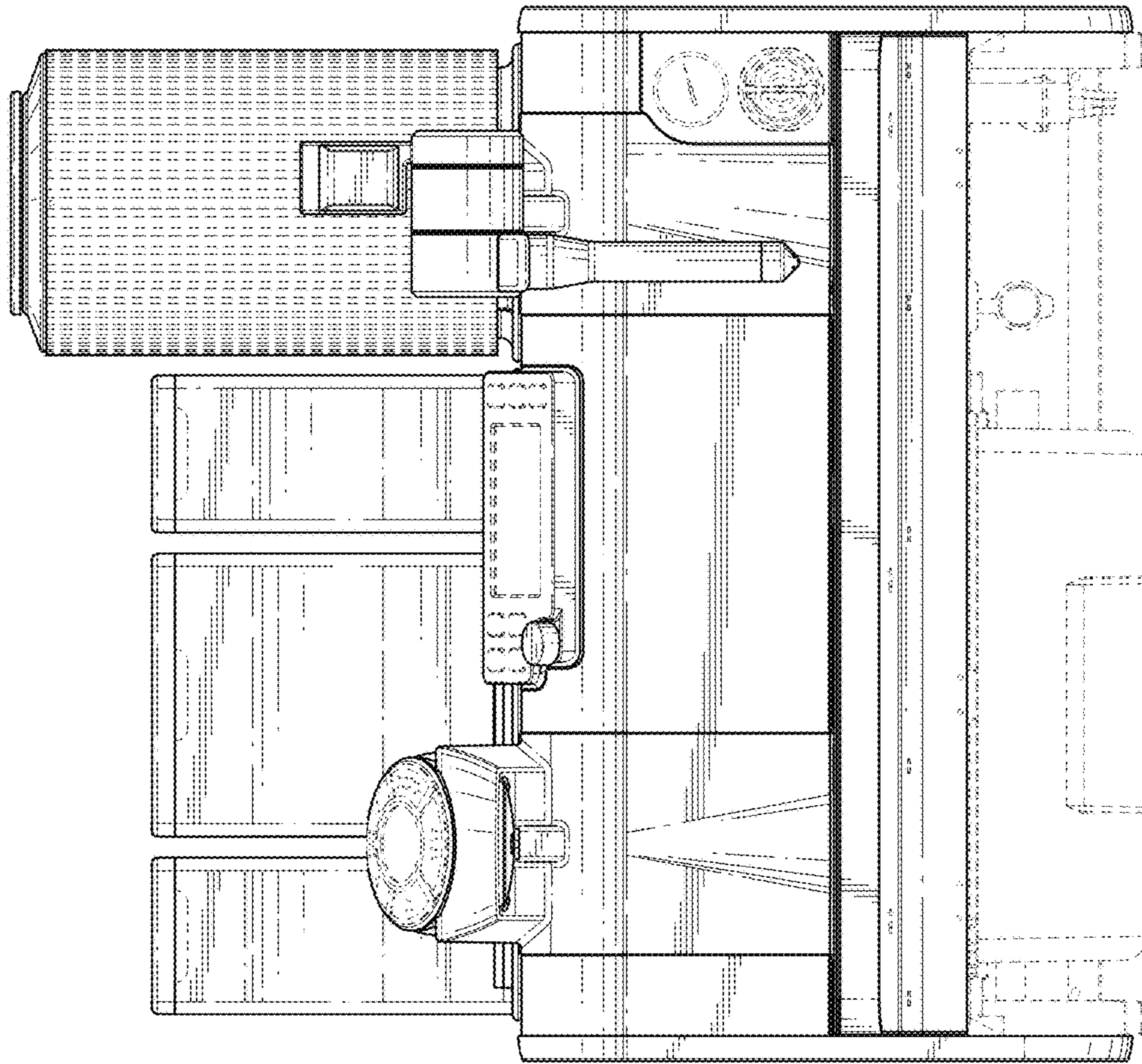


Fig. 3

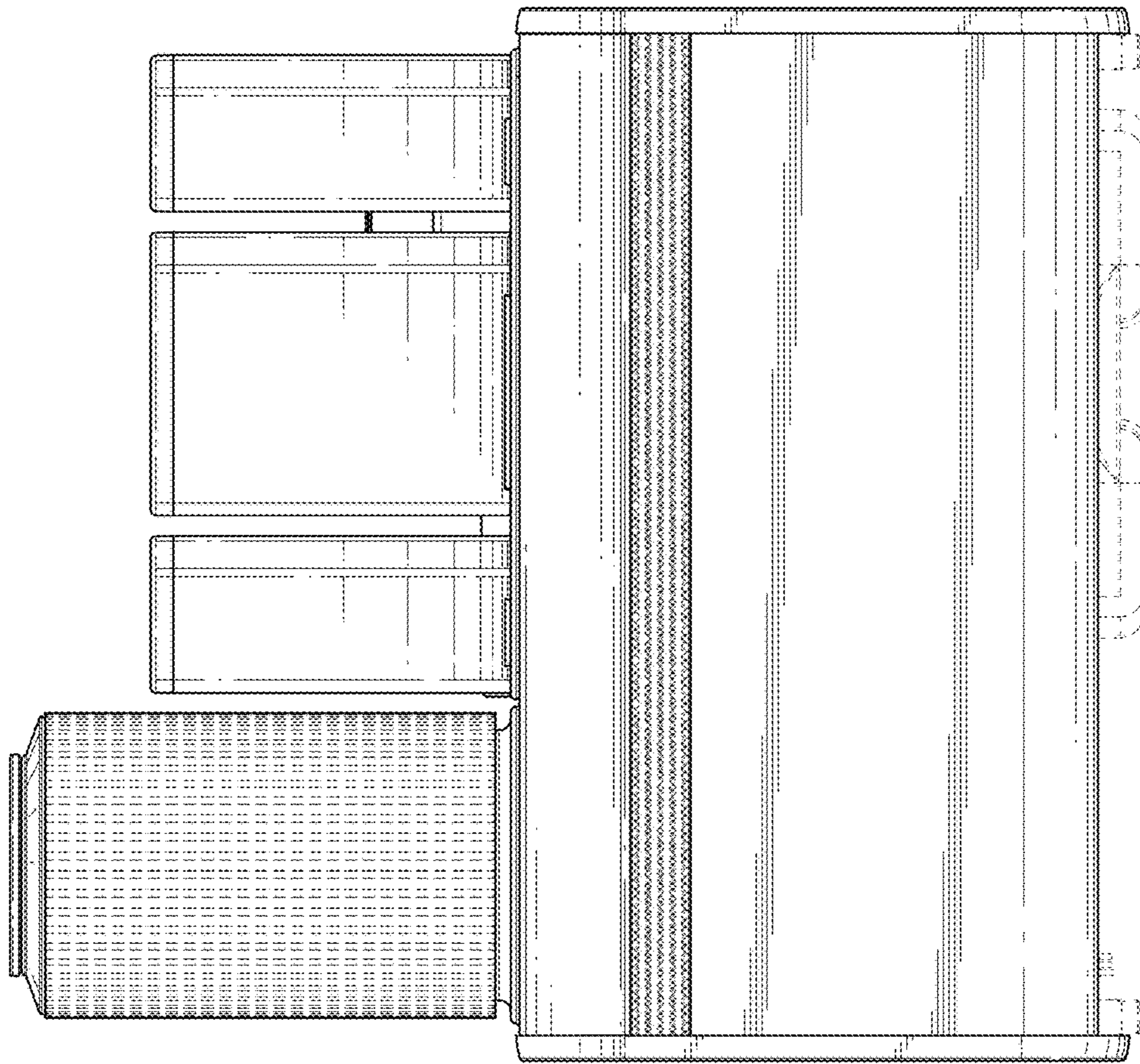


Fig. 4

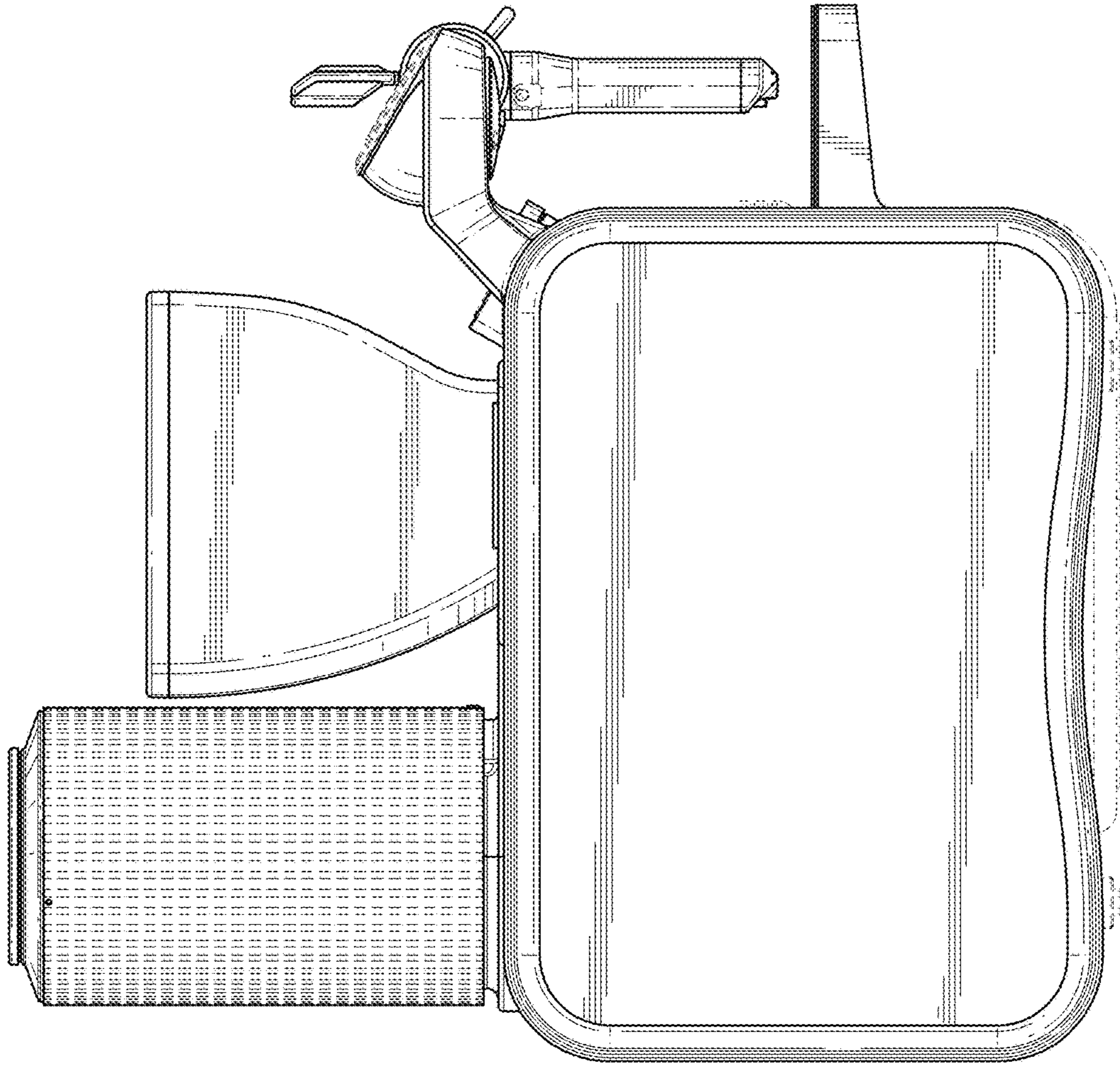


Fig. 5

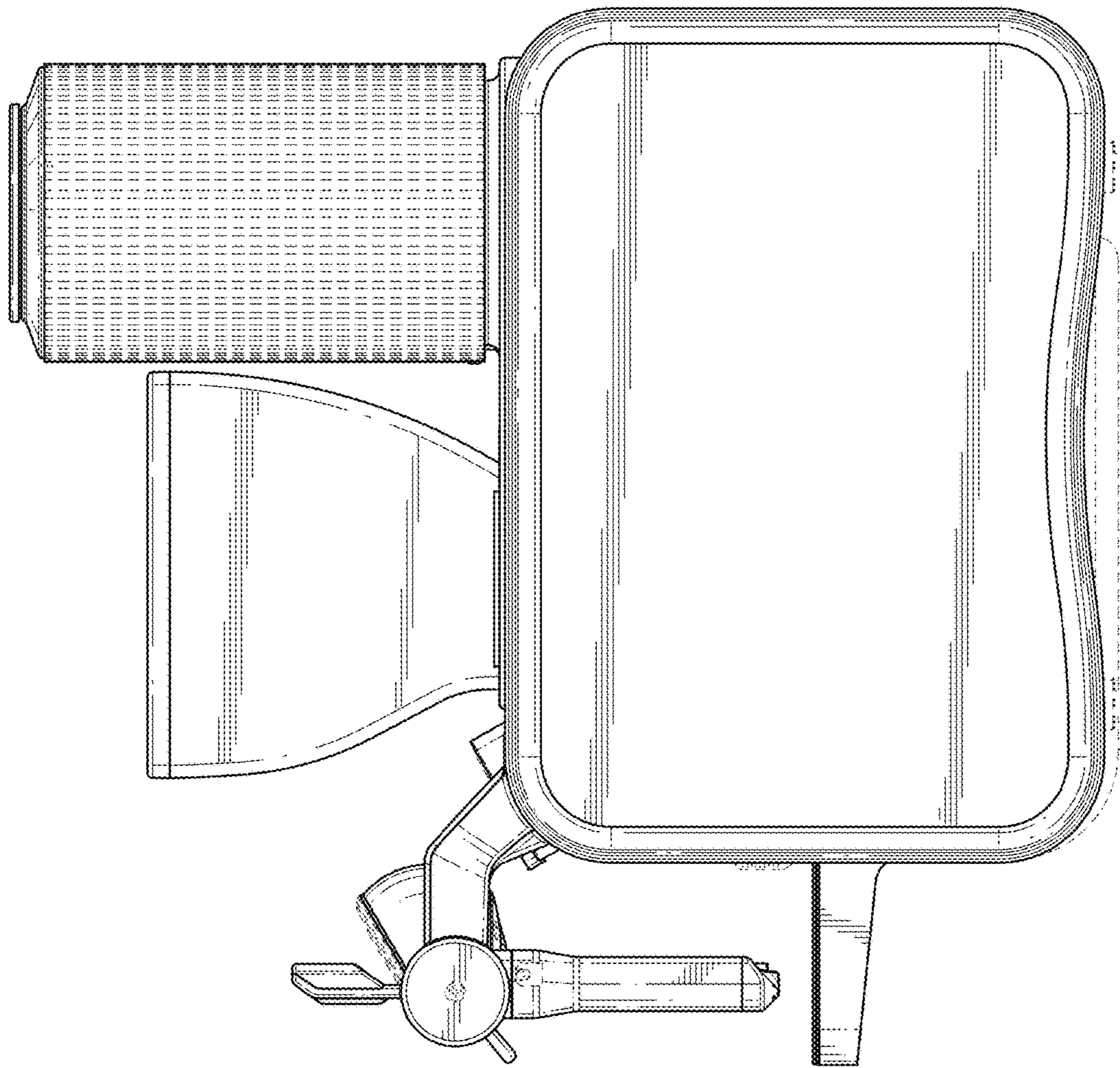


Fig. 6

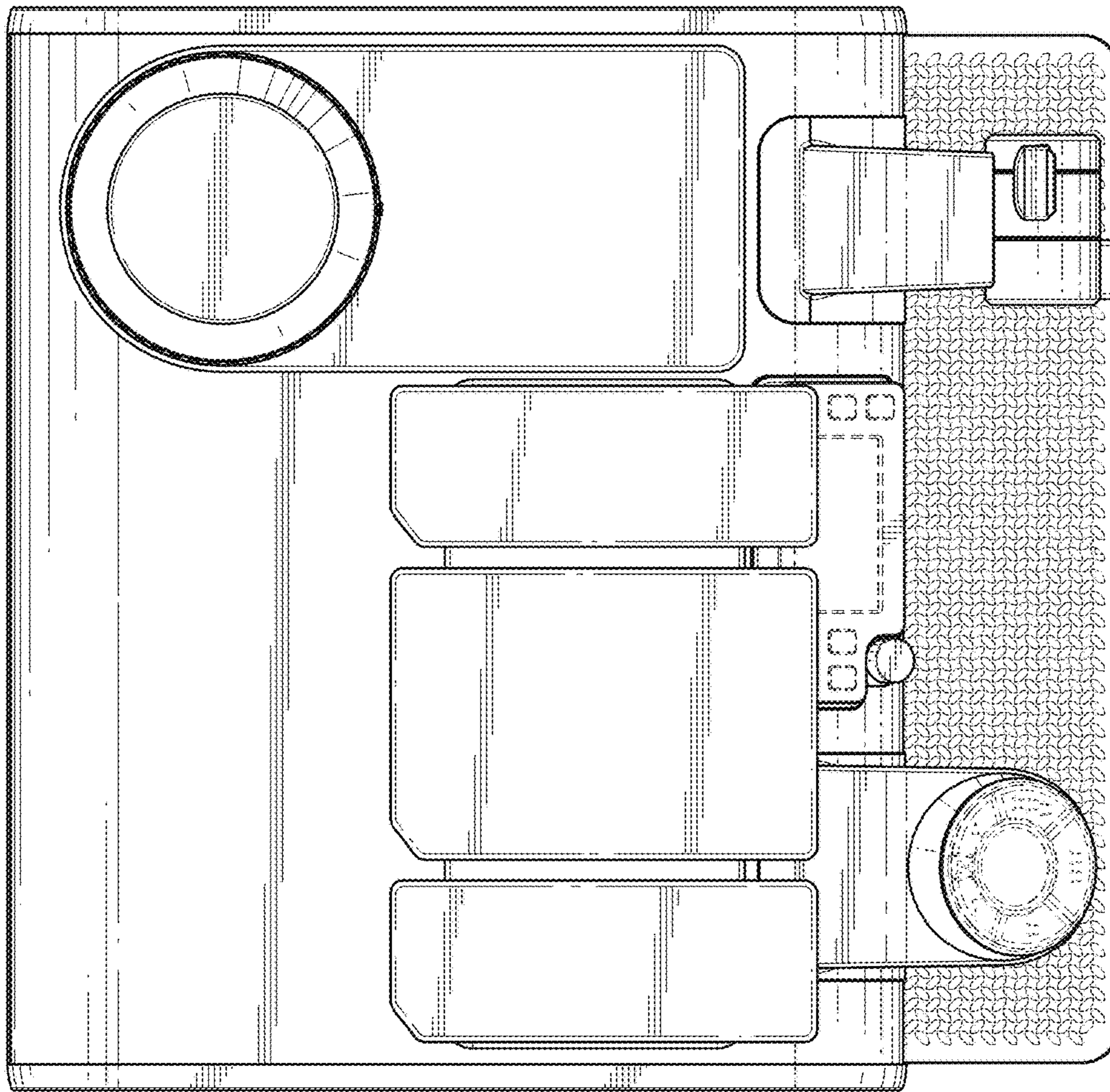


Fig. 7

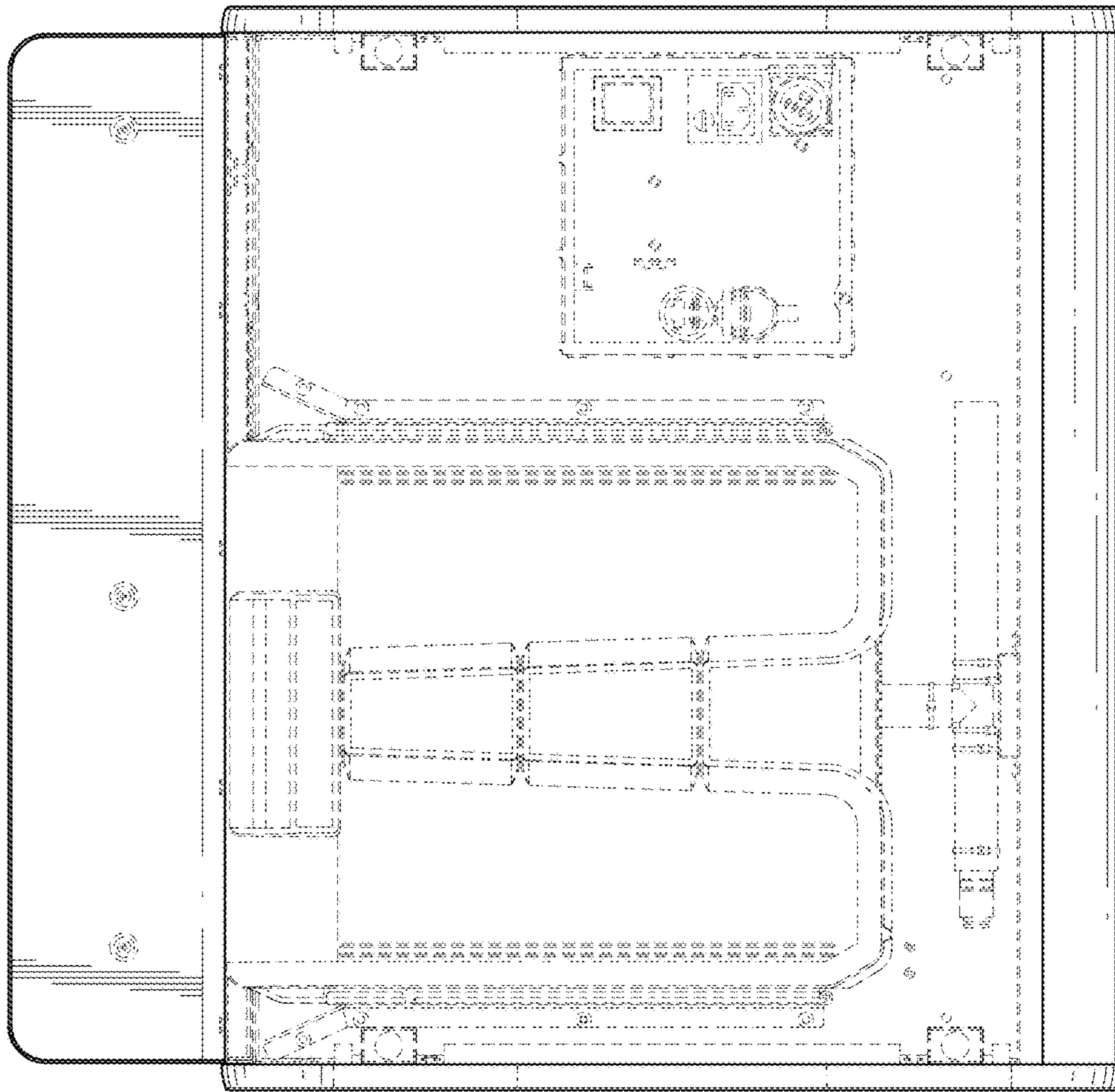


Fig. 8