



US00D829479S

(12) **United States Design Patent** (10) **Patent No.:** **US D829,479 S**
Pinholster, Jr. et al. (45) **Date of Patent:** **** Oct. 2, 2018**

(54) **TANDEM HAMMOCK SPACER POLE**

(71) Applicant: **Eagles Nest Outfitters, Inc.**, Asheville, NC (US)

(72) Inventors: **Peter G. Pinholster, Jr.**, Asheville, NC (US); **Ryan Marc Klinger**, Asheville, NC (US); **James Christian Frinak**, Asheville, NC (US)

(73) Assignee: **Eagles Nest Outfitters, Inc.**, Asheville, NC (US)

(**) Term: **15 Years**

(21) Appl. No.: **29/607,871**

(22) Filed: **Jun. 16, 2017**

(51) **LOC (11) Cl.** **06-06**

(52) **U.S. Cl.**
USPC **D6/718.11**

(58) **Field of Classification Search**
USPC D6/385-387, 718, 718.1, 718.11, 718.12;
D8/354, 355
CPC E05F 5/06; F16B 7/10; F16B 7/105; A45F 3/00; A45F 3/22; A45F 3/24; A45F 4/08
See application file for complete search history.

(56) **References Cited**

U.S. PATENT DOCUMENTS

- 272,311 A * 2/1883 Palmer A45F 3/22
5/122
- 2,569,596 A * 10/1951 Anderegg A45F 3/24
5/122
- 5,593,239 A * 1/1997 Sallee E04H 12/182
135/114
- D573,007 S * 7/2008 Medina D8/354
- D659,515 S * 5/2012 Schoen D8/355
- D659,516 S * 5/2012 Schoen D8/355
- D666,893 S * 9/2012 Maclean D8/354

- D732,865 S * 6/2015 Roso D6/709.2
- D756,203 S * 5/2016 Kelleghan D8/356
- 2003/0201377 A1 * 10/2003 Davis B60P 7/0823
248/508

(Continued)

OTHER PUBLICATIONS

Double Hammock Whoopie Hook Complete Suspension; Dutchware Double Hammock Whoopie Hook; <https://dutchwaregear.com/double-whoopie-hook-complete.html>.

Primary Examiner — Cathron C Brooks

(74) *Attorney, Agent, or Firm* — Schwartz Law Firm, P.C.

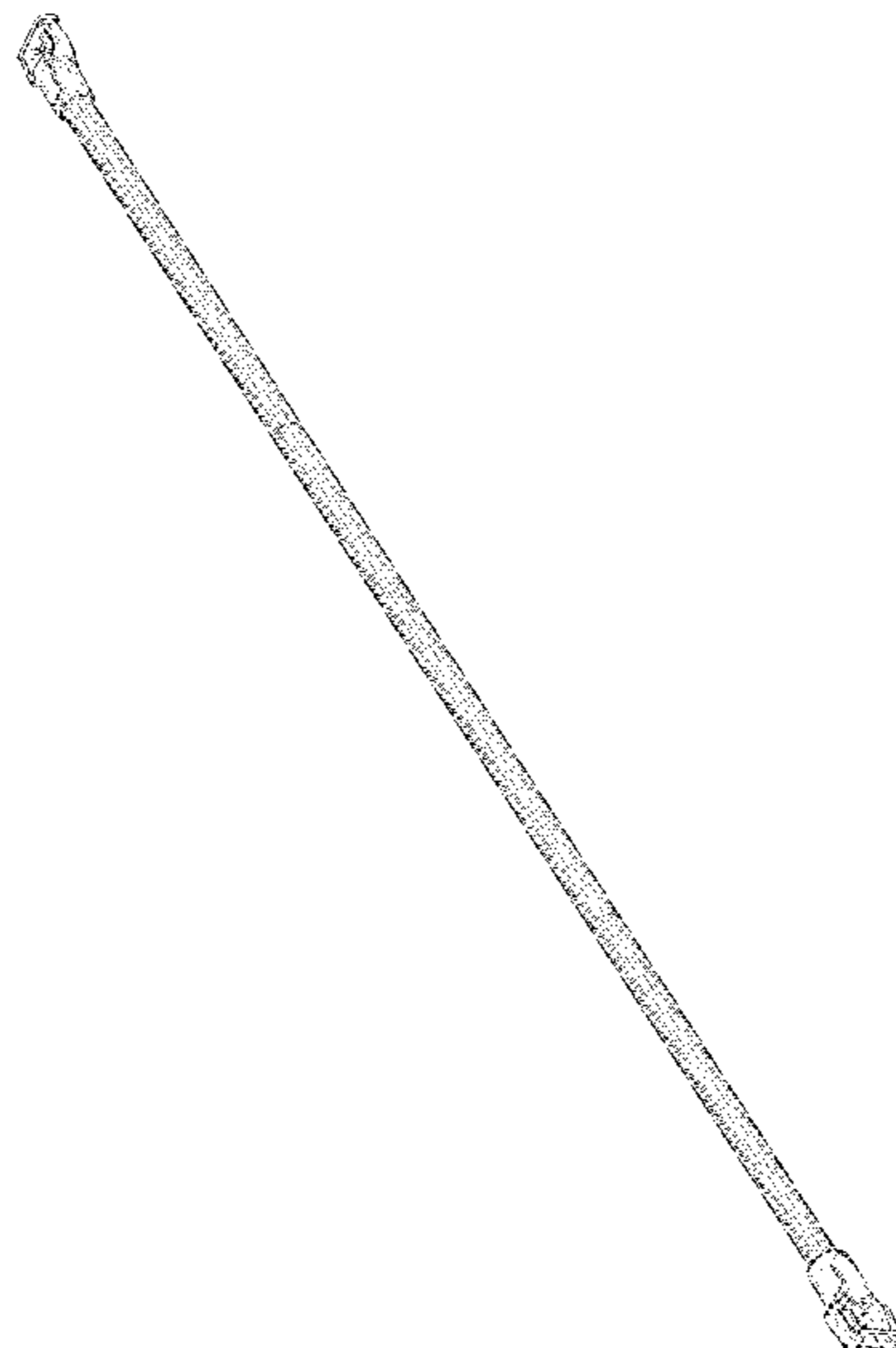
(57) **CLAIM**

We claim the ornamental design for a tandem hammock spacer pole, as shown and described.

DESCRIPTION

FIG. 1 is a front perspective view of the tandem hammock spacer pole;
 FIG. 2 is a rear perspective view of the tandem hammock spacer pole;
 FIG. 3 is a top view of the tandem hammock spacer pole shown at an enlarged scale;
 FIG. 4 is a bottom view of the tandem hammock spacer pole shown at an enlarged scale;
 FIG. 5 is a right side view of the tandem hammock spacer pole shown at an enlarged scale;
 FIG. 6 is a left side view of the tandem hammock spacer pole shown at an enlarged scale;
 FIG. 7 is a first end view of the tandem hammock spacer pole shown at a further enlarged scale; and,
 FIG. 8 is a second end view of the tandem hammock spacer pole shown at a further enlarged scale.
 The broken lines shown in FIGS. 1 and 2 indicate joints which form no part of the claimed design. The drafting cut lines shown in FIGS. 3-6 indicate that the middle section of the claimed design is not shown, the cut lines being provided solely for the purpose of showing the design at a larger scale.

1 Claim, 7 Drawing Sheets



(56)

References Cited

U.S. PATENT DOCUMENTS

2013/0233366 A1* 9/2013 Burgess E04H 15/62
135/120.1
2016/0069118 A1* 3/2016 Artin E05C 17/30
16/85

* cited by examiner

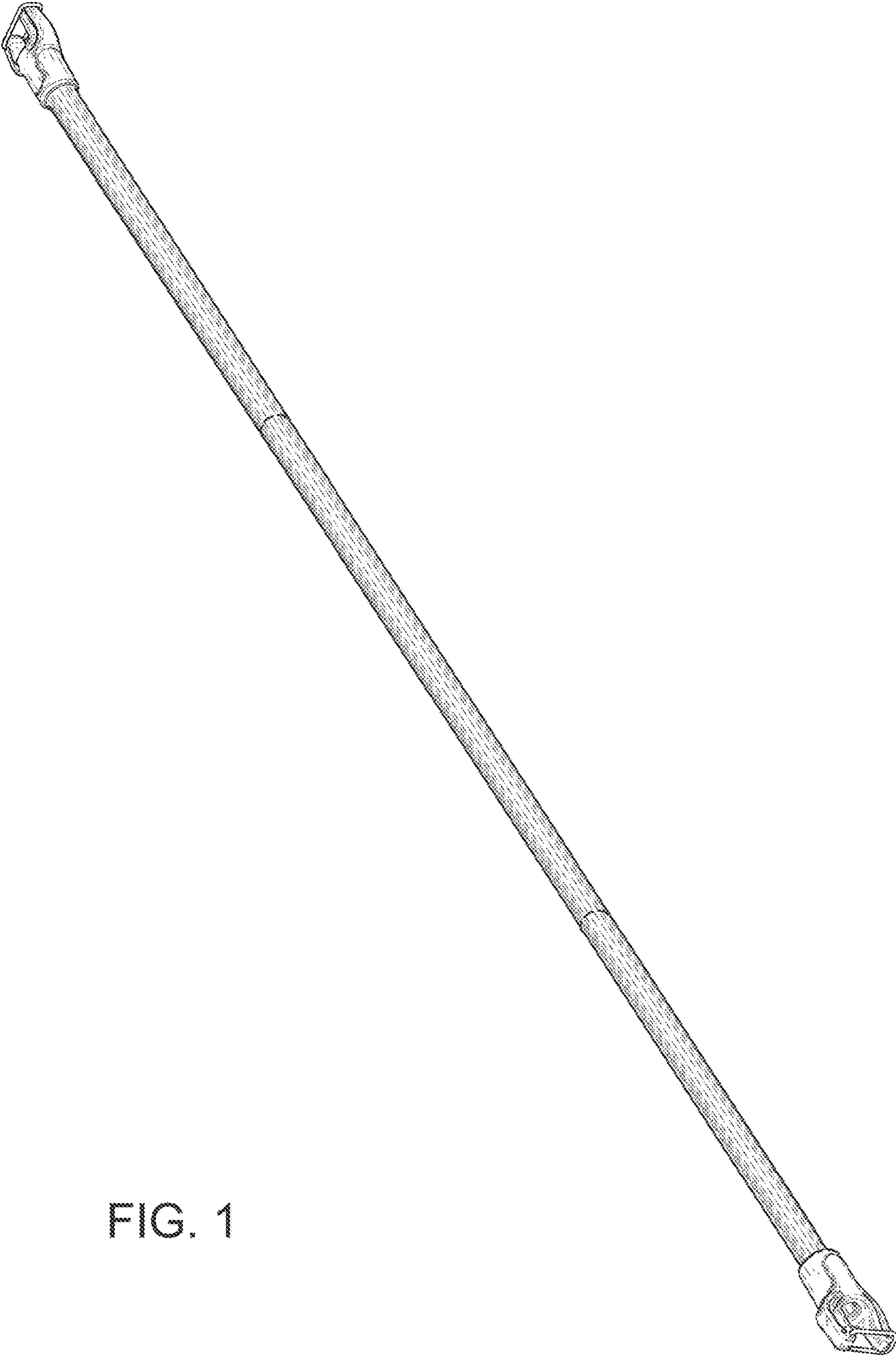


FIG. 1

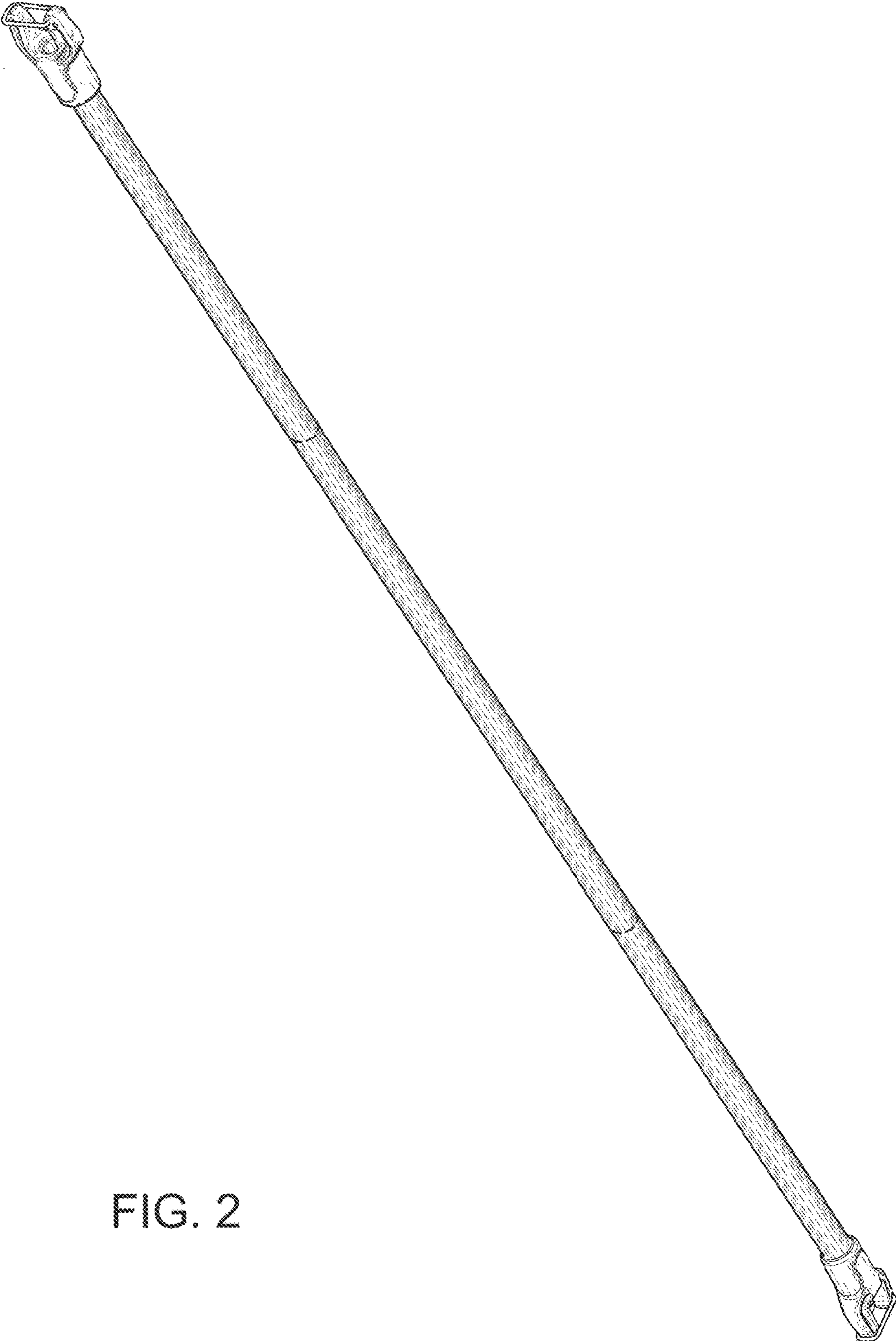


FIG. 2

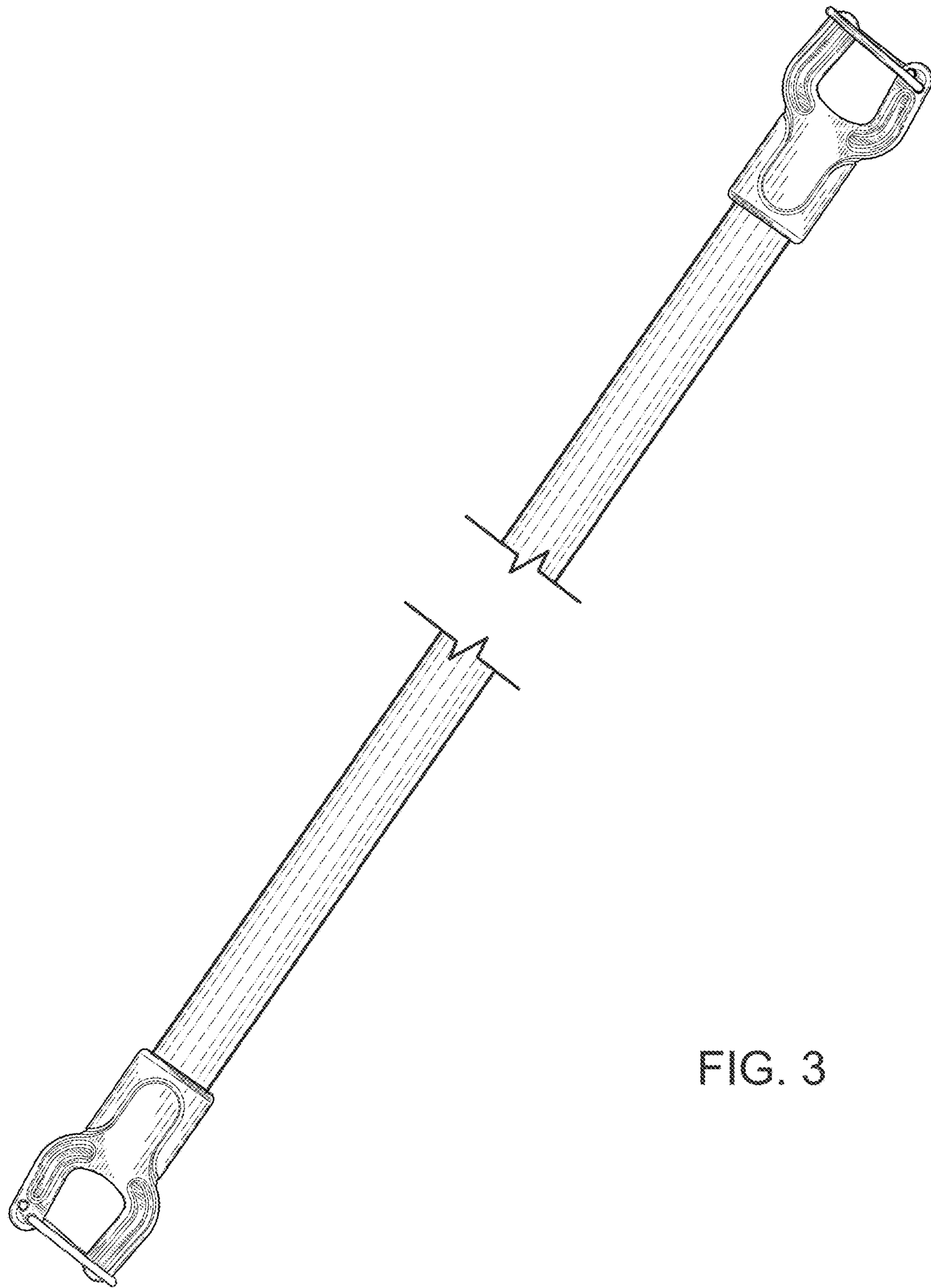


FIG. 3

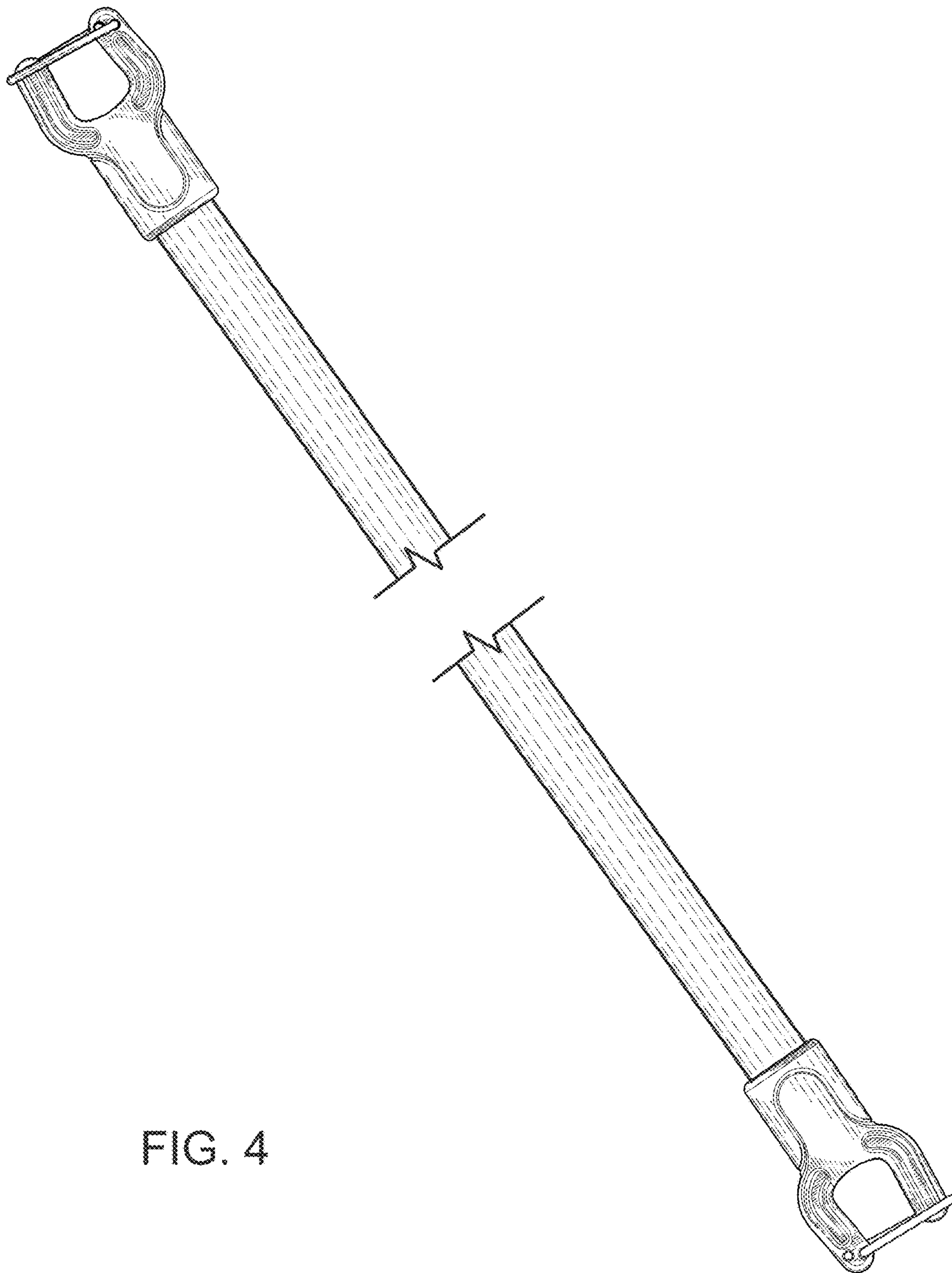


FIG. 4

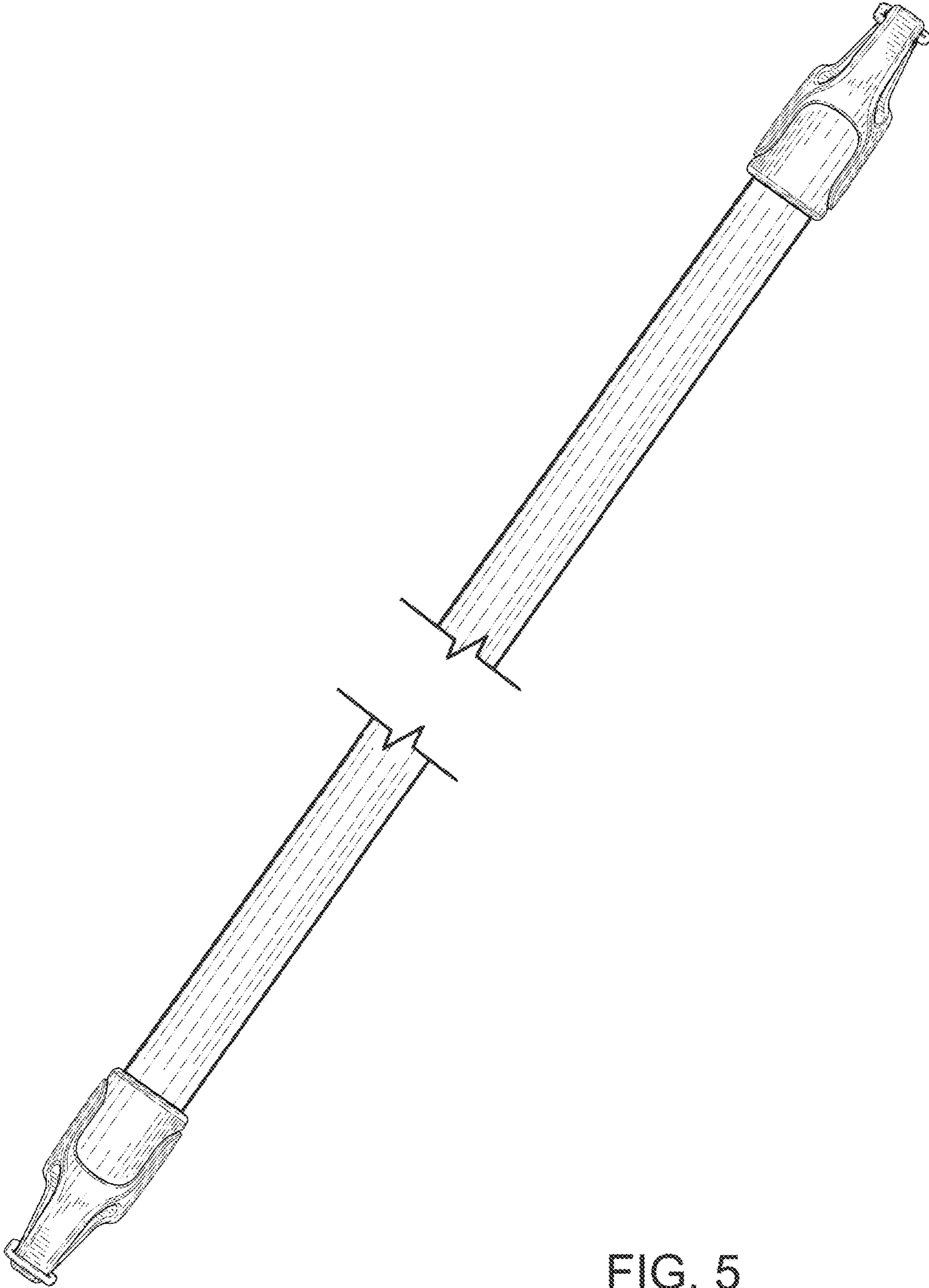


FIG. 5

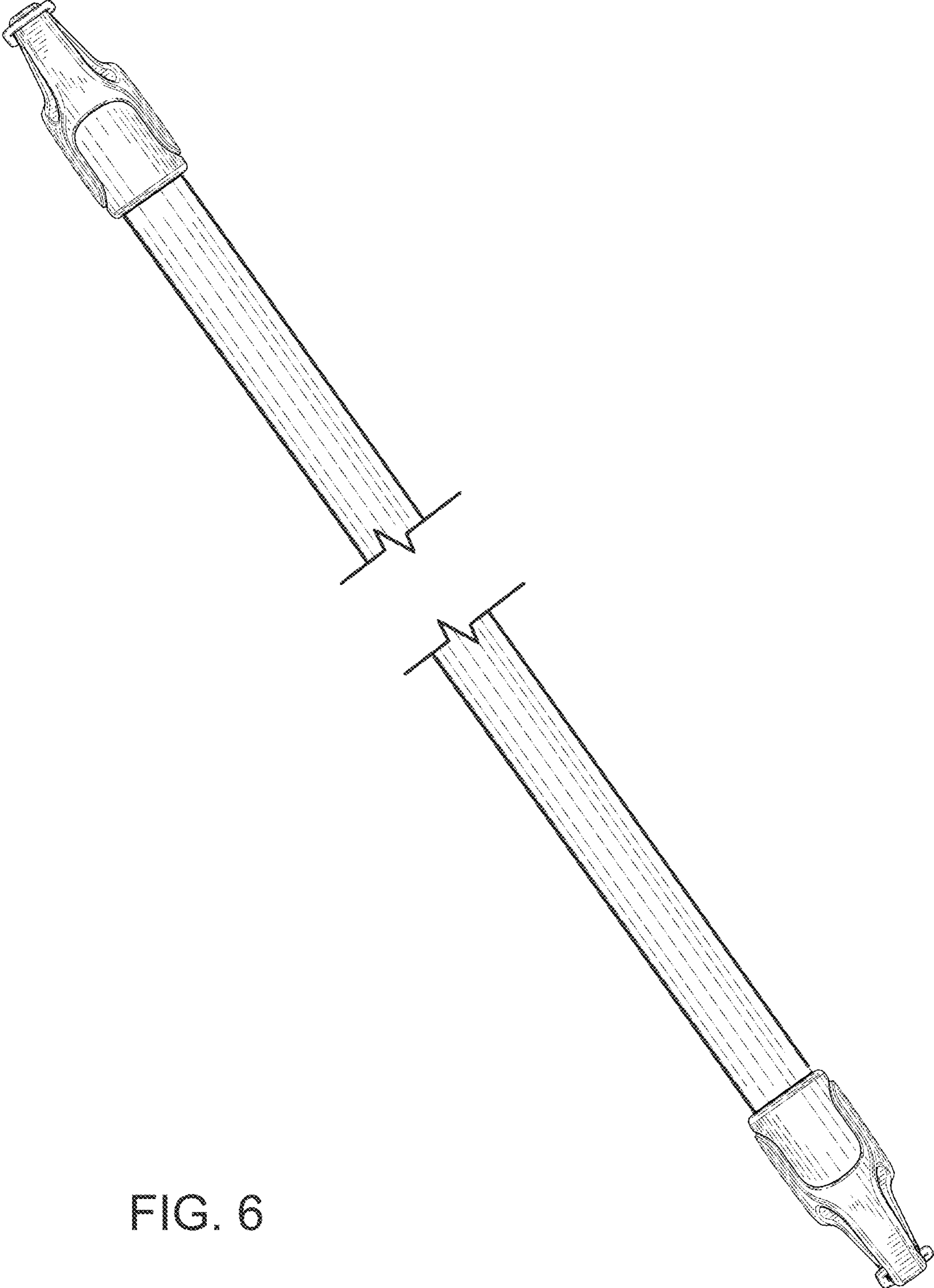


FIG. 6

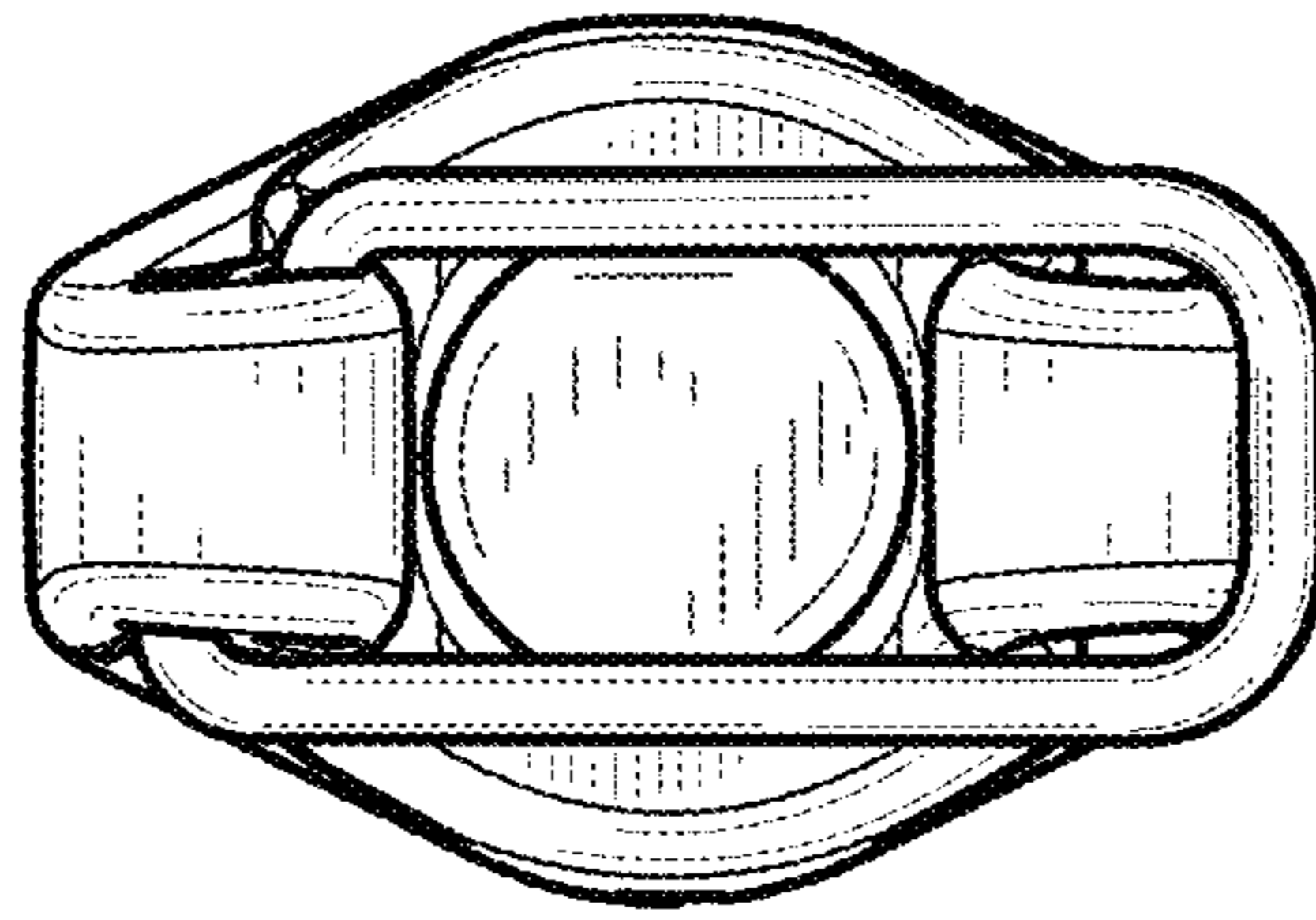


FIG. 7

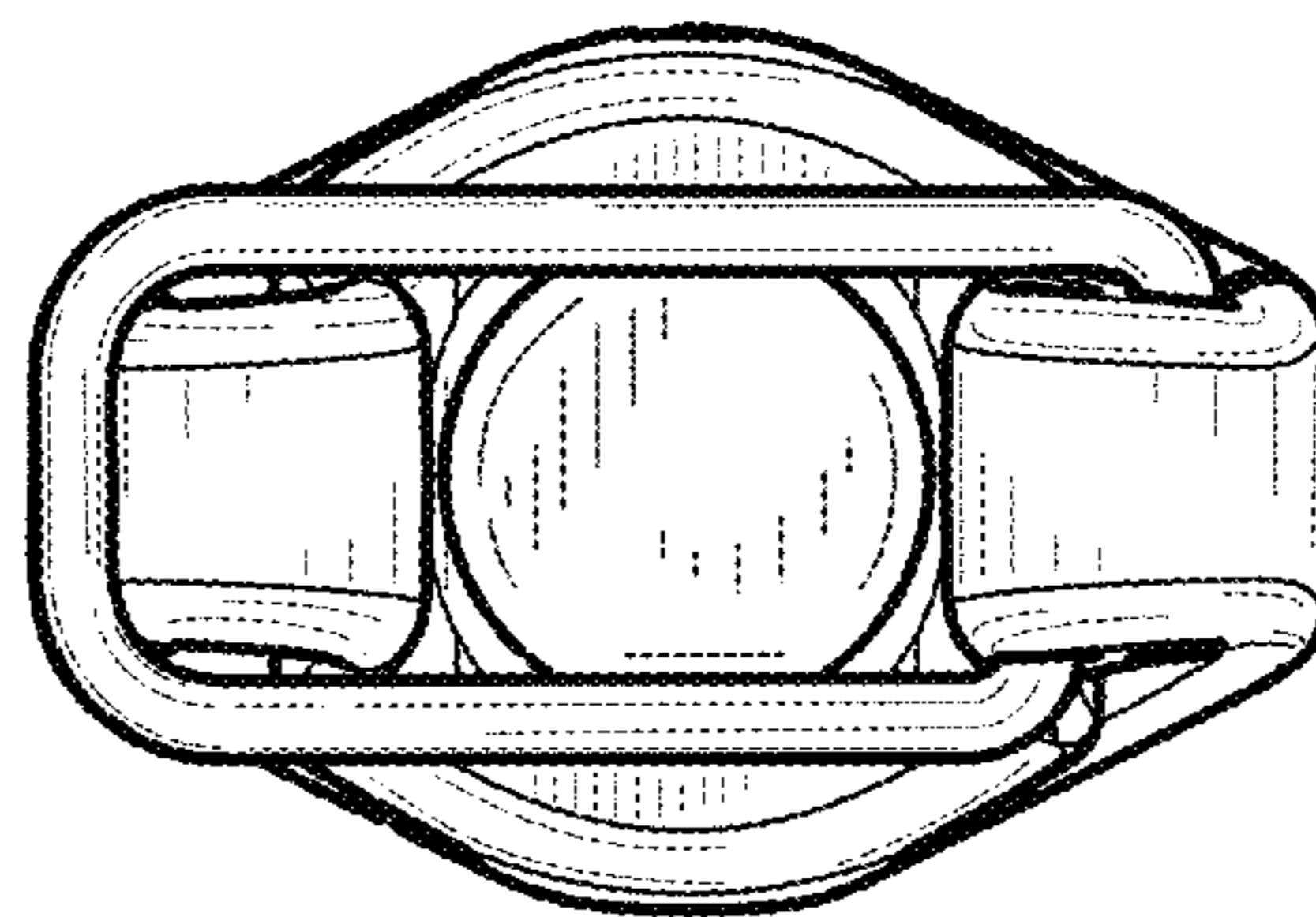


FIG. 8