



US00D829477S

(12) **United States Design Patent**
Zeitounian

(10) **Patent No.:** **US D829,477 S**

(45) **Date of Patent:** **** Oct. 2, 2018**

(54) **TABLE BASE**

(71) Applicant: **Armen Zeitounian**, Los Angeles, CA
(US)

(72) Inventor: **Armen Zeitounian**, Los Angeles, CA
(US)

(**) Term: **15 Years**

(21) Appl. No.: **29/603,908**

(22) Filed: **May 12, 2017**

(51) **LOC (11) Cl.** **06-06**

(52) **U.S. Cl.**
USPC **D6/708.17**

(58) **Field of Classification Search**
USPC D6/336, 353, 368, 555, 641, 655, 655.1,
D6/663, 664, 657, 672, 675, 675.1, 675.3,
D6/686, 687, 688.11, 688.19, 691, 691.1,
D6/691.9, 692, 692.2, 692.5, 692.6, 707,
D6/707.12, 707.18, 707.19, 707.2, 708,
D6/708.16, 708.17, 708.24, 709, 709.18,
D6/709.19

CPC .. A47B 37/00; A47B 3/00; A47B 1/00; A47B
3/06; A47B 3/08; A47B 7/00; A47B
21/00; A47B 23/00; A47B 25/00; A47B
13/08; A47B 3/083; A47B 3/14; A47B
41/00; A47B 17/00; A47B 3/0809; A47B
3/0812; A47B 2013/026; A47B 2200/03;
A47B 2200/00; A47B 2003/0821; A47C
3/045

See application file for complete search history.

(56) **References Cited**

U.S. PATENT DOCUMENTS

D236,400 S * 8/1975 Waltzman D6/691
D242,003 S * 10/1976 Faber D6/691
D265,450 S * 7/1982 Berryman D6/691
D277,438 S * 2/1985 Passarello D6/691

D292,052 S * 9/1987 Lorio D6/691
D298,496 S * 11/1988 Bigelow D6/708.17
D571,580 S * 6/2008 Prophet D6/691
D742,151 S * 11/2015 Baylar D6/708.1

OTHER PUBLICATIONS

Driftwood, posted at Woodlandcreekfurniture.com, posted on Mar. 17, 2017, site visited Jun. 1, 2018. online, available from internet: https://tineye.com/search/862a8419171bc0a796919432ec7d09b81e396b42/?extension_ver=chrome-1.2.0.*

Sourcing materials, posted at Abeautifulness.com, posted on Sep. 13, 2016, site visited Jun. 1, 2018. online, available from internet: https://abeautifulness.com/2016/09/sourcing-materials-for-a-live-edge-coffee-table.html.*

* cited by examiner

Primary Examiner — Mary Ann Calabrese

Assistant Examiner — Catherine Ho

(74) *Attorney, Agent, or Firm* — Milord A. Keshishian

(57) **CLAIM**

The ornamental design for a table base, as shown and described.

DESCRIPTION

FIG. 1 is a perspective view showing the front, top and right sides of the table base;

FIG. 2 is a top plan view thereof;

FIG. 3 is a bottom plan view thereof;

FIG. 4 is a right elevational view thereof;

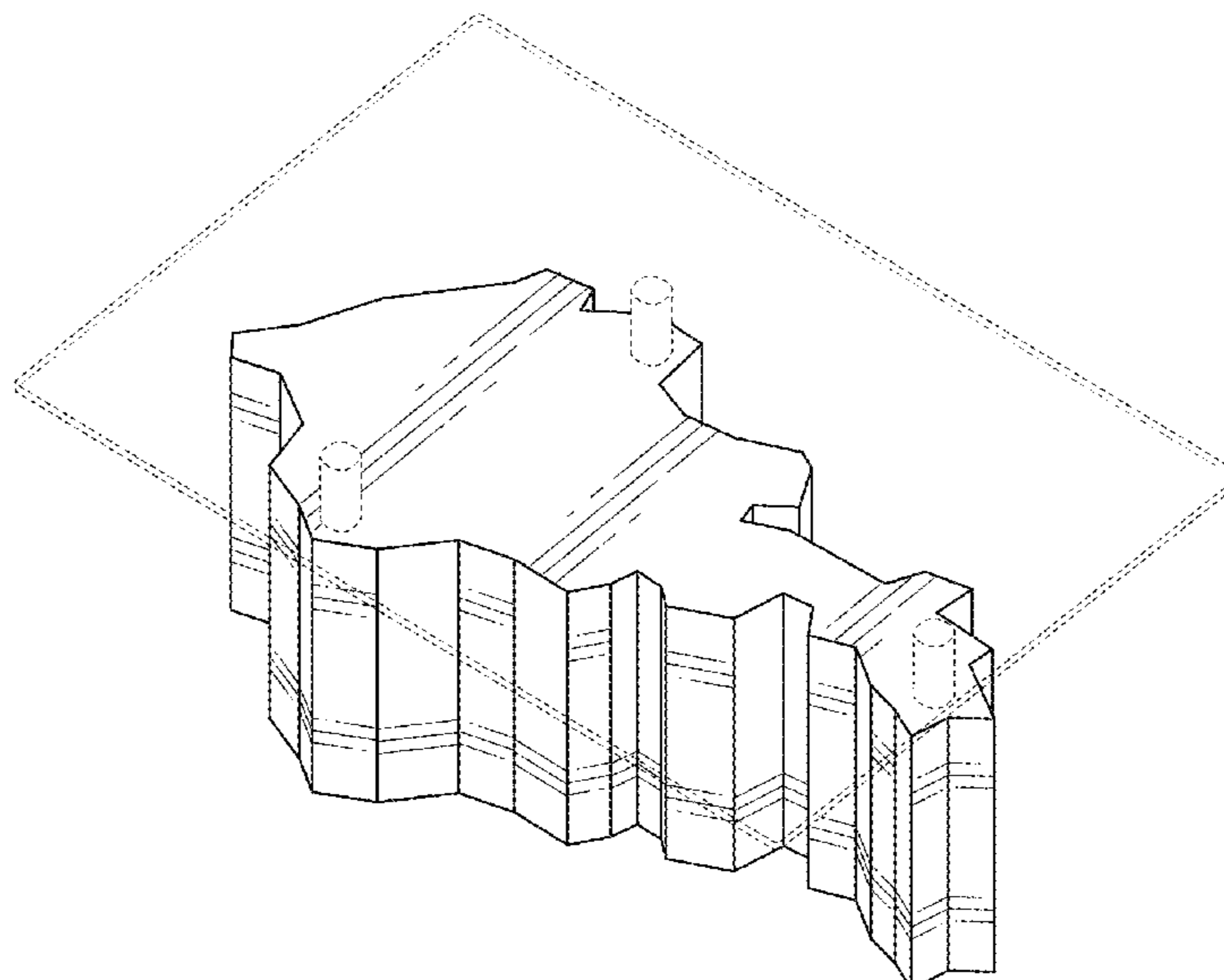
FIG. 5 is a left elevational view thereof.

FIG. 6 is a front elevational view thereof; and,

FIG. 7 is a rear elevational view thereof.

The broken lines in the figures show portions of the table base that form no part of the claimed design.

1 Claim, 4 Drawing Sheets



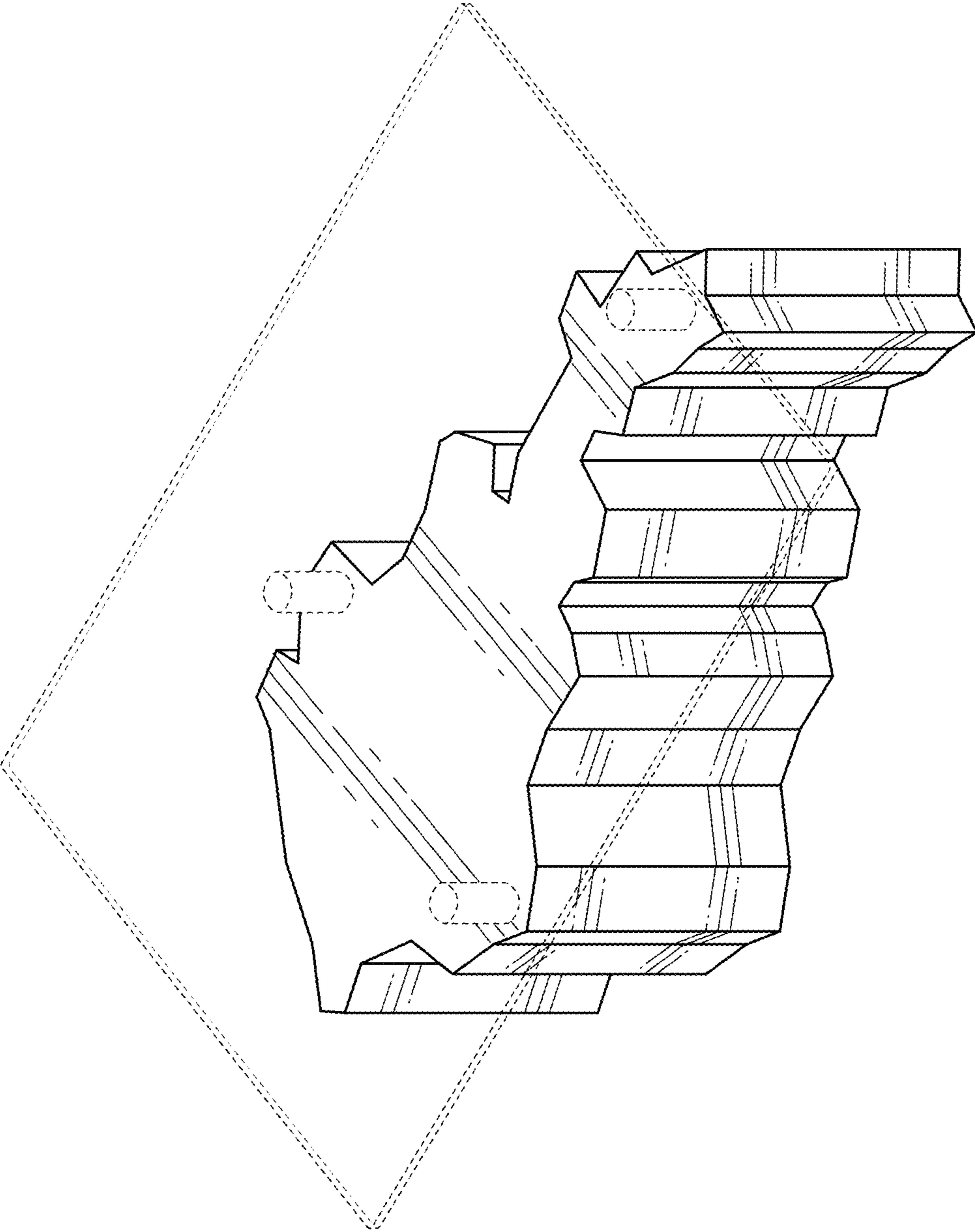


FIG. 1

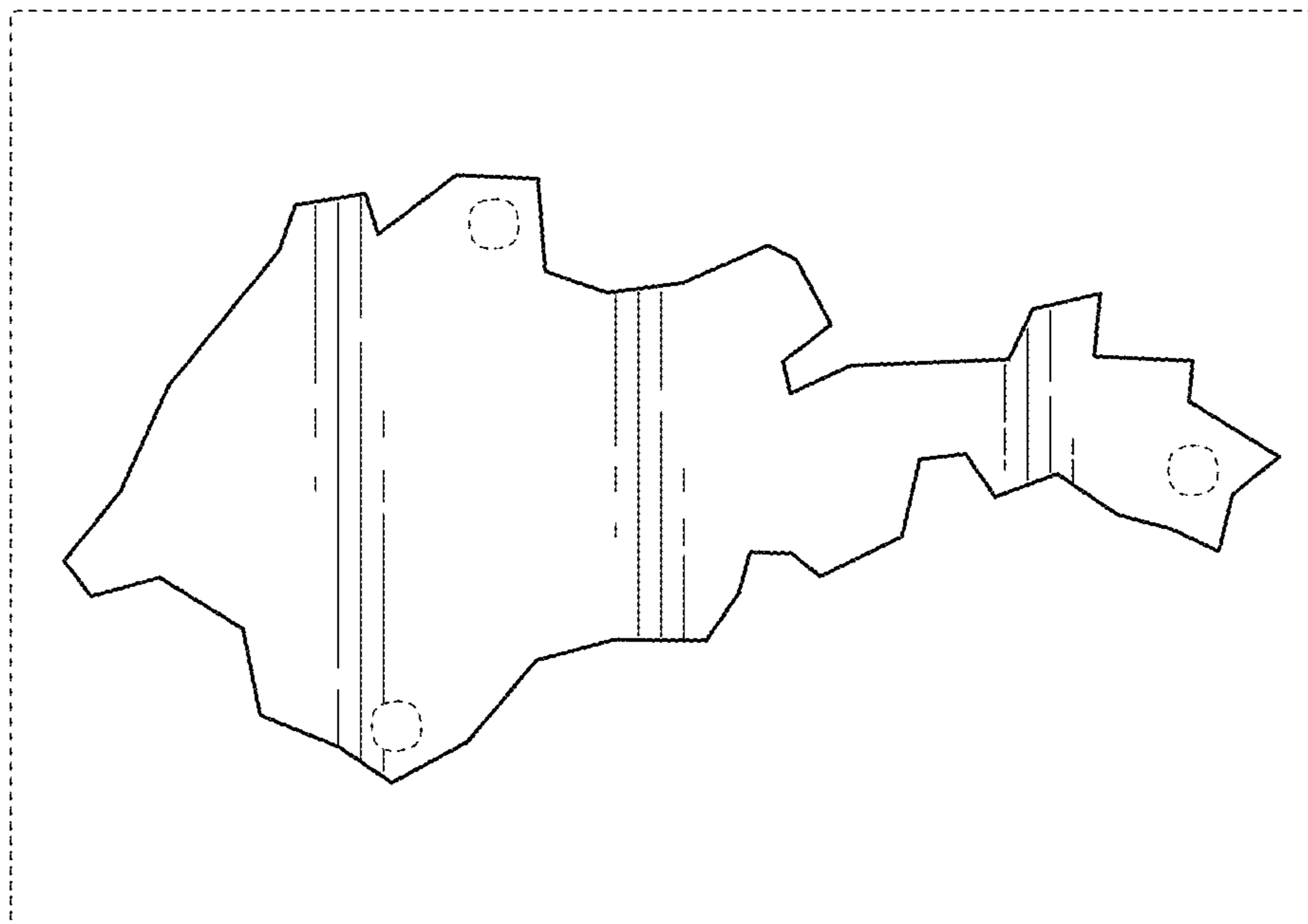


FIG. 2

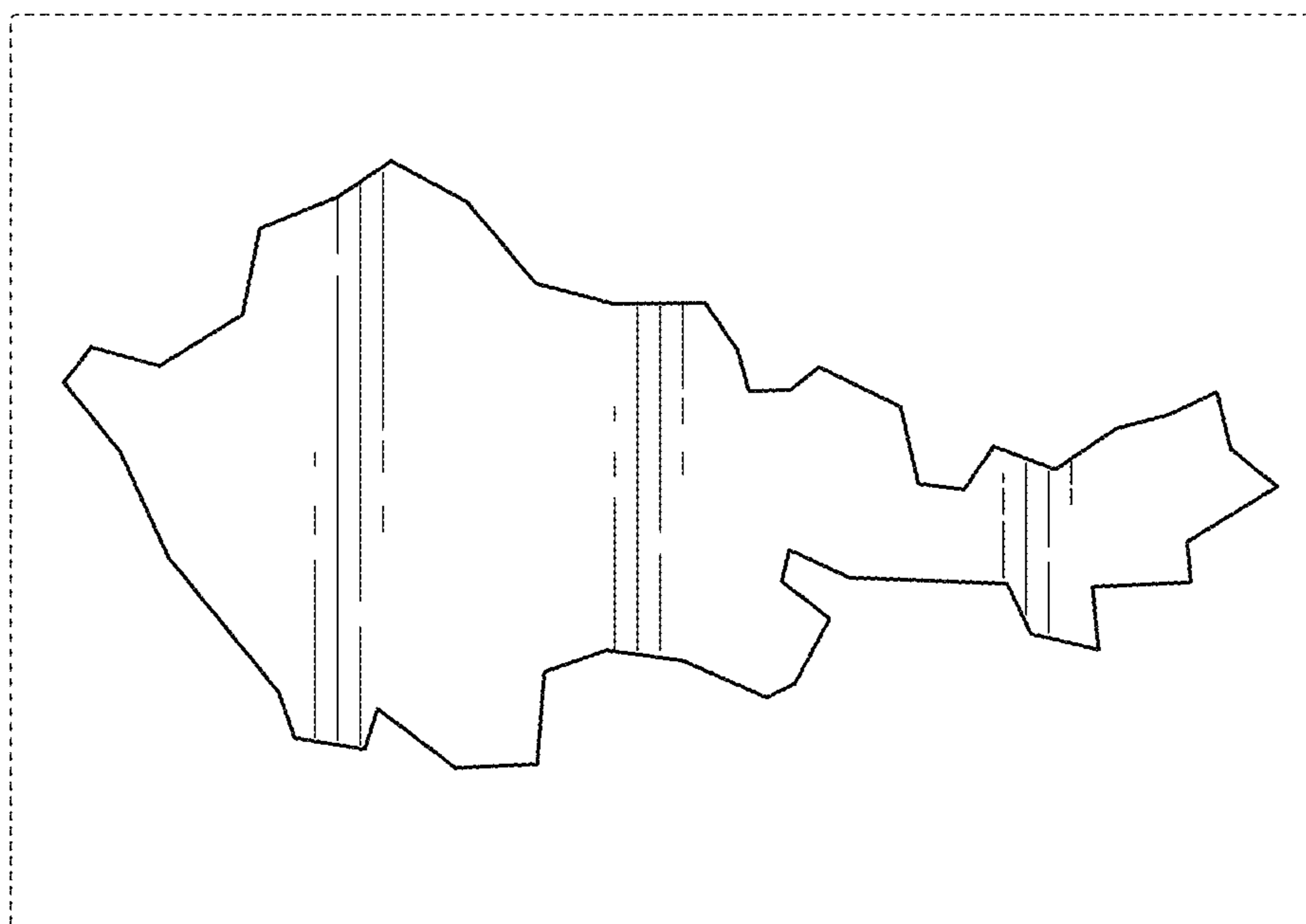


FIG. 3

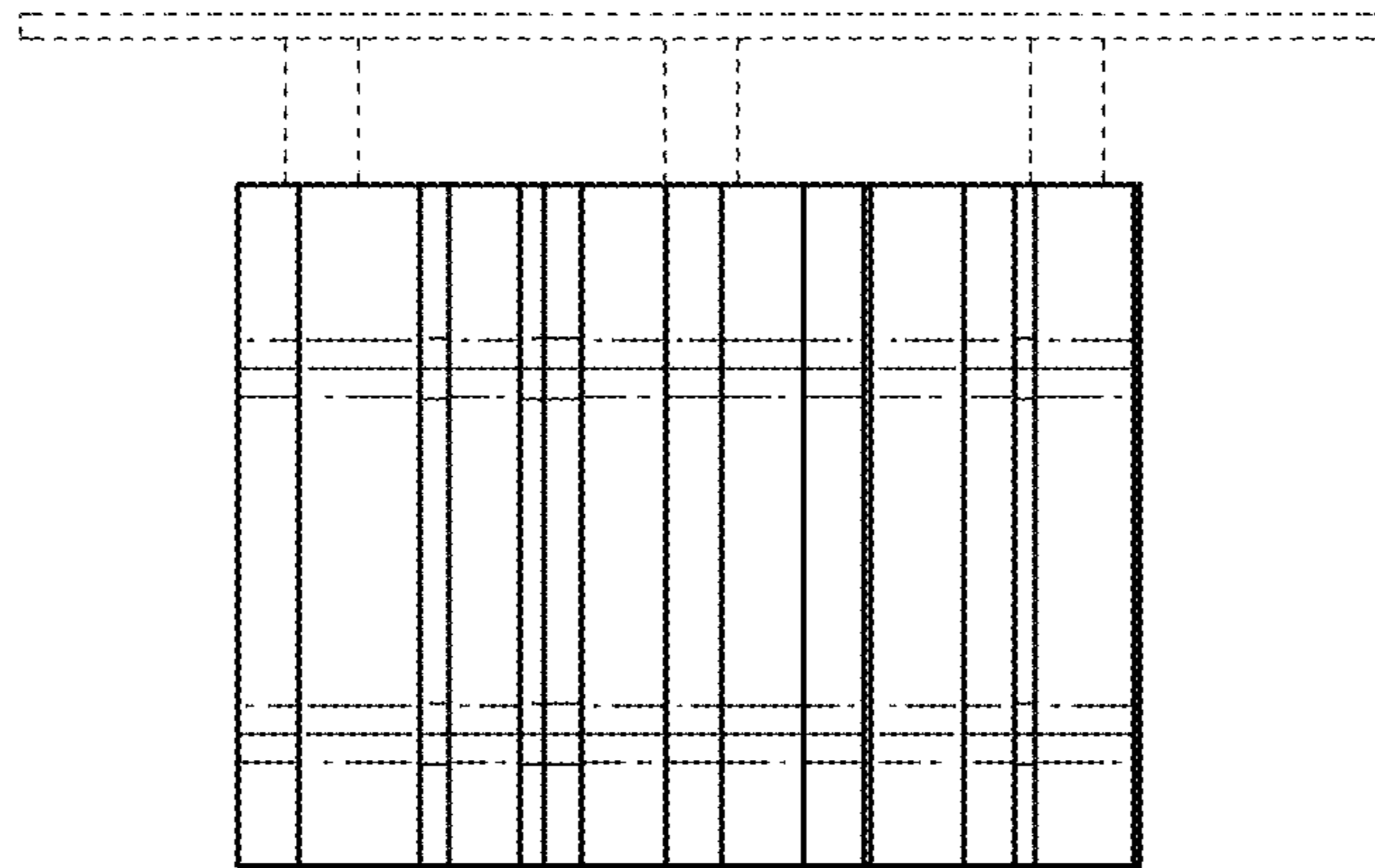


FIG. 5

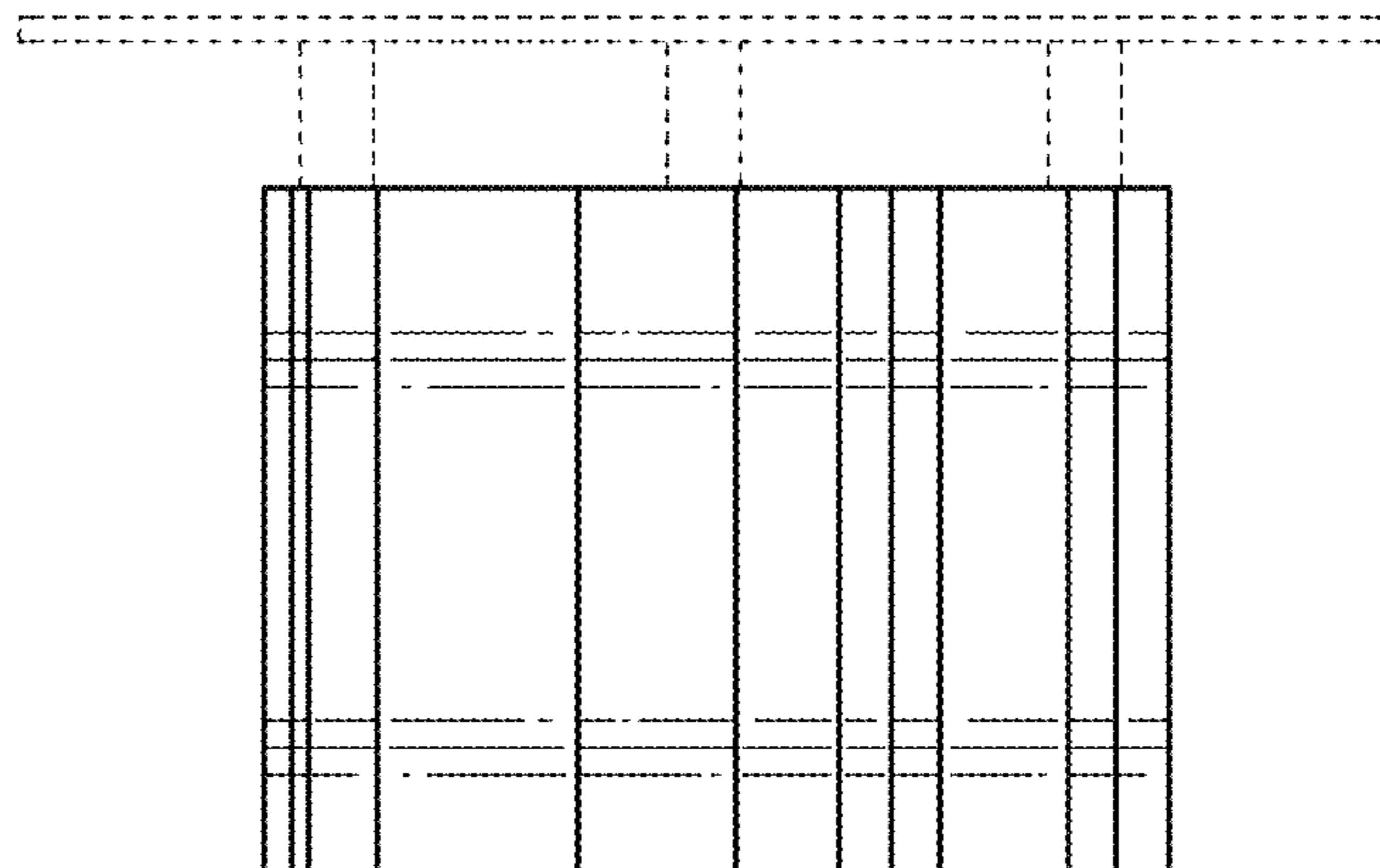


FIG. 4

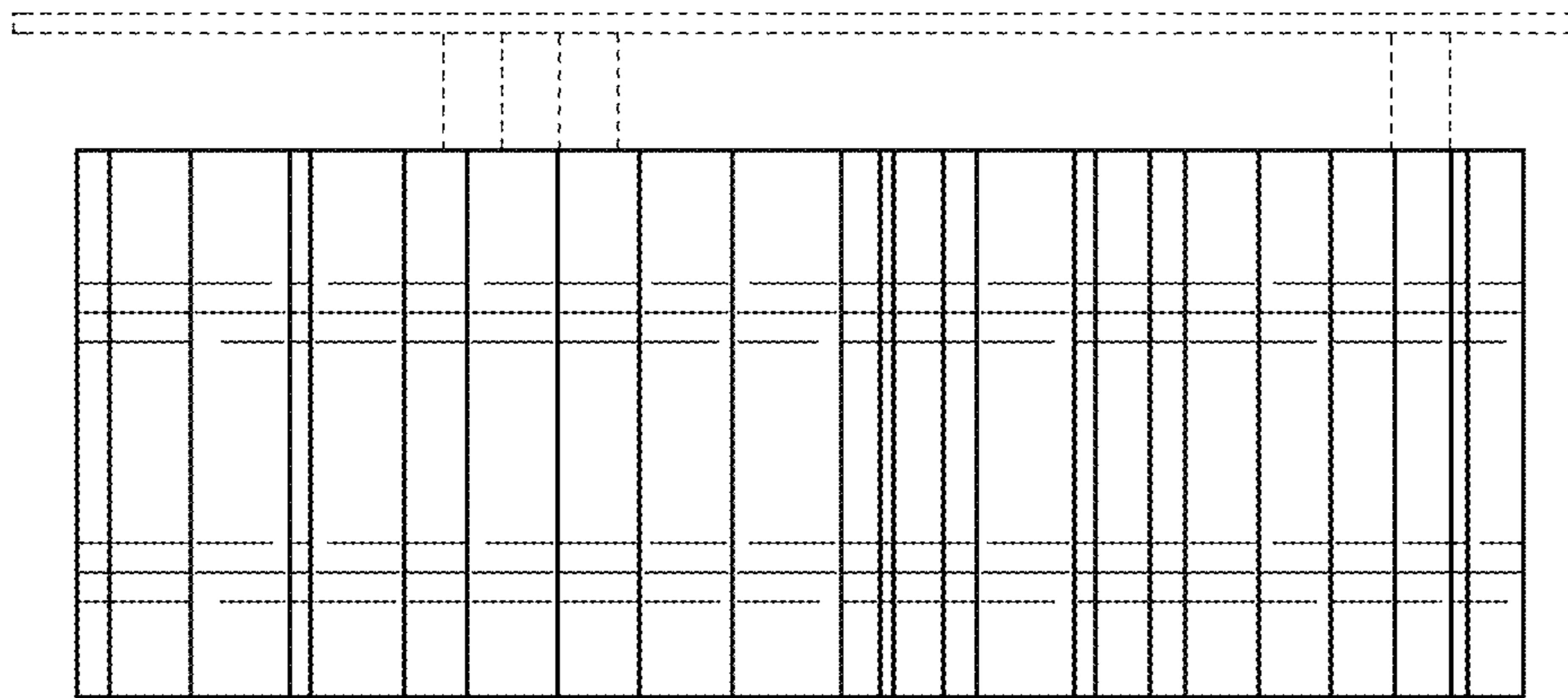


FIG. 6

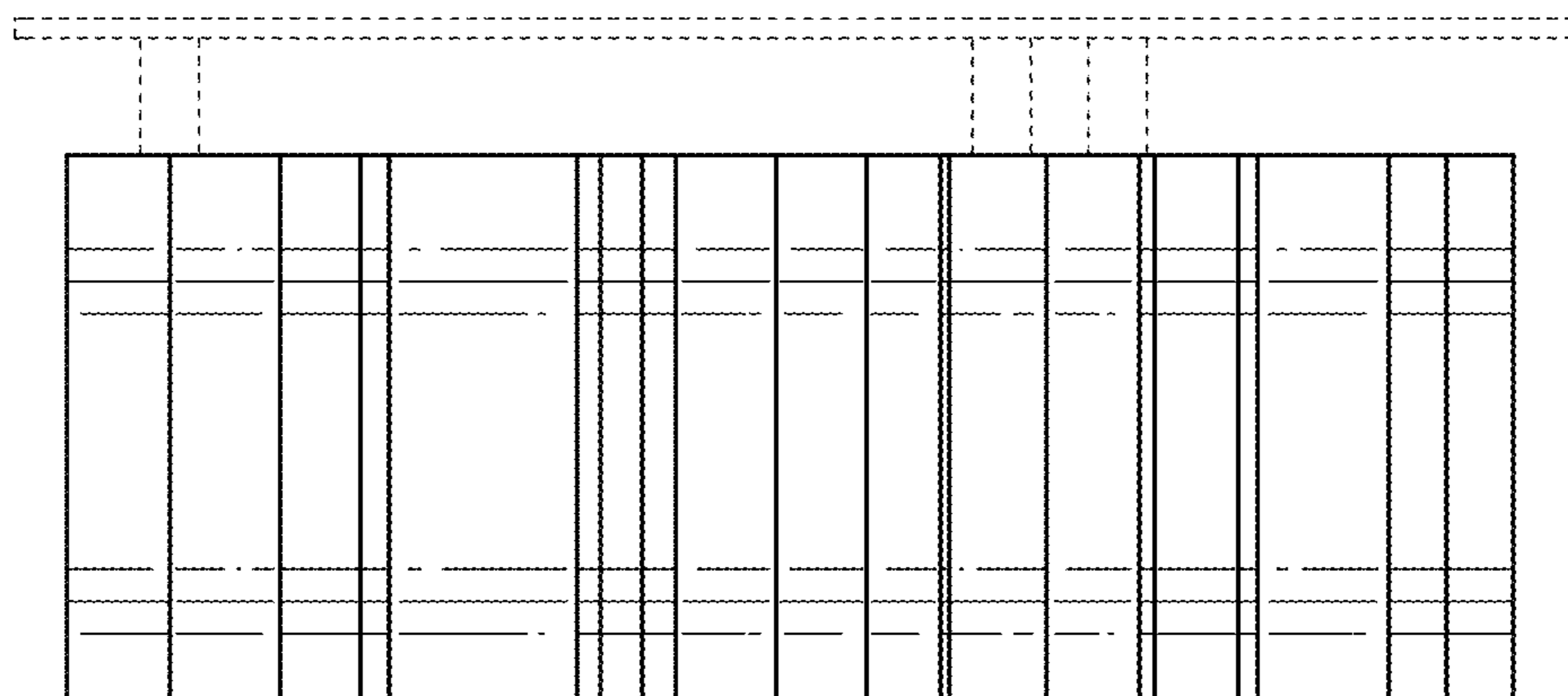


FIG. 7