



US00D829474S

(12) **United States Design Patent**
Neri et al.

(10) **Patent No.:** **US D829,474 S**
(45) **Date of Patent:** **** Oct. 2, 2018**

(54) **DRESSING TABLE**
(71) Applicant: **POLTRONA FRAU S.p.A.**, Meda (IT)
(72) Inventors: **Lyndon Neri**, Shanghai (CN); **Rossana Hu**, Shanghai (CN)
(73) Assignee: **POLTRONA FRAU S.P.A.**, Meda (IT)
(**) Term: **15 Years**
(21) Appl. No.: **29/582,431**
(22) Filed: **Oct. 27, 2016**

D348,573 S * 7/1994 Ewald D6/405
D367,379 S * 2/1996 Nicholson D6/691.5
D378,029 S * 2/1997 Clark D6/682.3
D468,776 S * 1/2003 Oliver D21/397
D507,902 S * 8/2005 Cioncada D6/647
D552,383 S * 10/2007 Glebe D6/312
D552,884 S * 10/2007 Saotome D6/656
D573,808 S * 7/2008 Frank D6/673
D618,012 S * 6/2010 Erne D6/685
D695,557 S * 12/2013 Carretta D6/708
D721,908 S * 2/2015 Hughes D6/691.9
D743,192 S * 11/2015 Davis D6/691.5
D772,620 S * 11/2016 Dahlstrom D6/691
D775,877 S * 1/2017 Lin D6/691

* cited by examiner

(30) **Foreign Application Priority Data**

May 9, 2016 (EP) 003117480-0001

(51) **LOC (11) Cl.** **06-03**

(52) **U.S. Cl.**
USPC **D6/686**

(58) **Field of Classification Search**
USPC D6/663, 671, 677, 687, 690, 691, 691.1,
D6/691.2, 691.3, 691.4, 691.5, 693, 689,
D6/691.9, 695, 695.2, 686
CPC A47B 7/00; A47B 13/08; A47B 13/10;
A47B 21/00; A47B 2009/006; A47B
11/00; A47B 2200/002
See application file for complete search history.

(56) **References Cited**

U.S. PATENT DOCUMENTS

3,166,028 A * 1/1965 Zagel A47B 3/02
108/119
3,265,019 A * 8/1966 Haydock A47B 3/02
108/119
D250,238 S * 11/1978 Minsky D6/686

Primary Examiner — Mary Ann Calabrese

Assistant Examiner — Sloan Rozin

(74) *Attorney, Agent, or Firm* — Hogan Lovells US LLP

(57) **CLAIM**

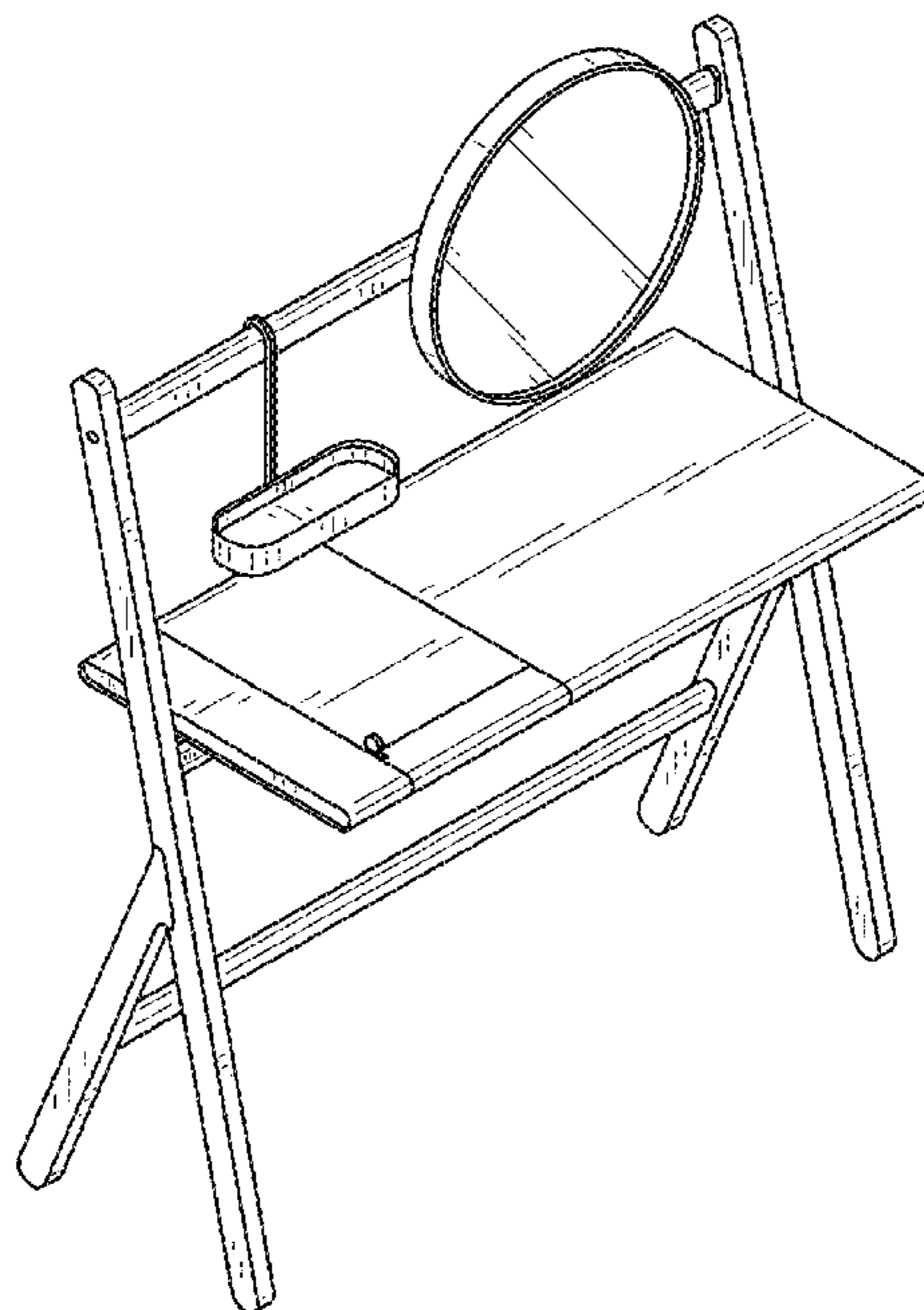
The ornamental design for a dressing table, as shown and described.

DESCRIPTION

FIG. 1 is a perspective view of a dressing table showing the design;
FIG. 2 is a front view thereof;
FIG. 3 is a rear view thereof;
FIG. 4 is a left side view thereof;
FIG. 5 is a right side view thereof;
FIG. 6 is a top view thereof; and,
FIG. 7 is a bottom view thereof.

The broken lines showing portions of the bottom features of the dressing table are included for the purpose of illustrating environment and form no part of the claimed design.

1 Claim, 6 Drawing Sheets



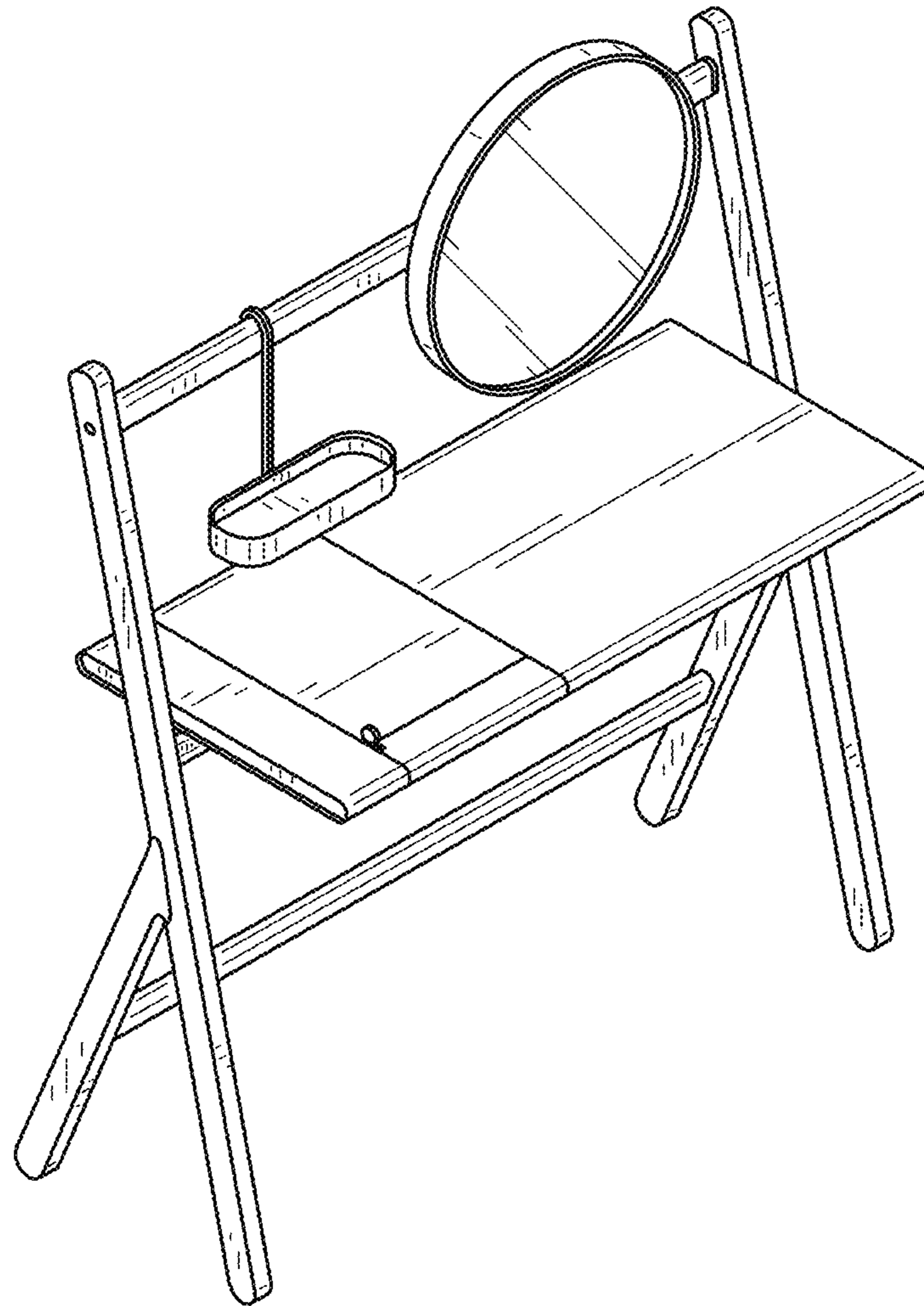


FIG.1

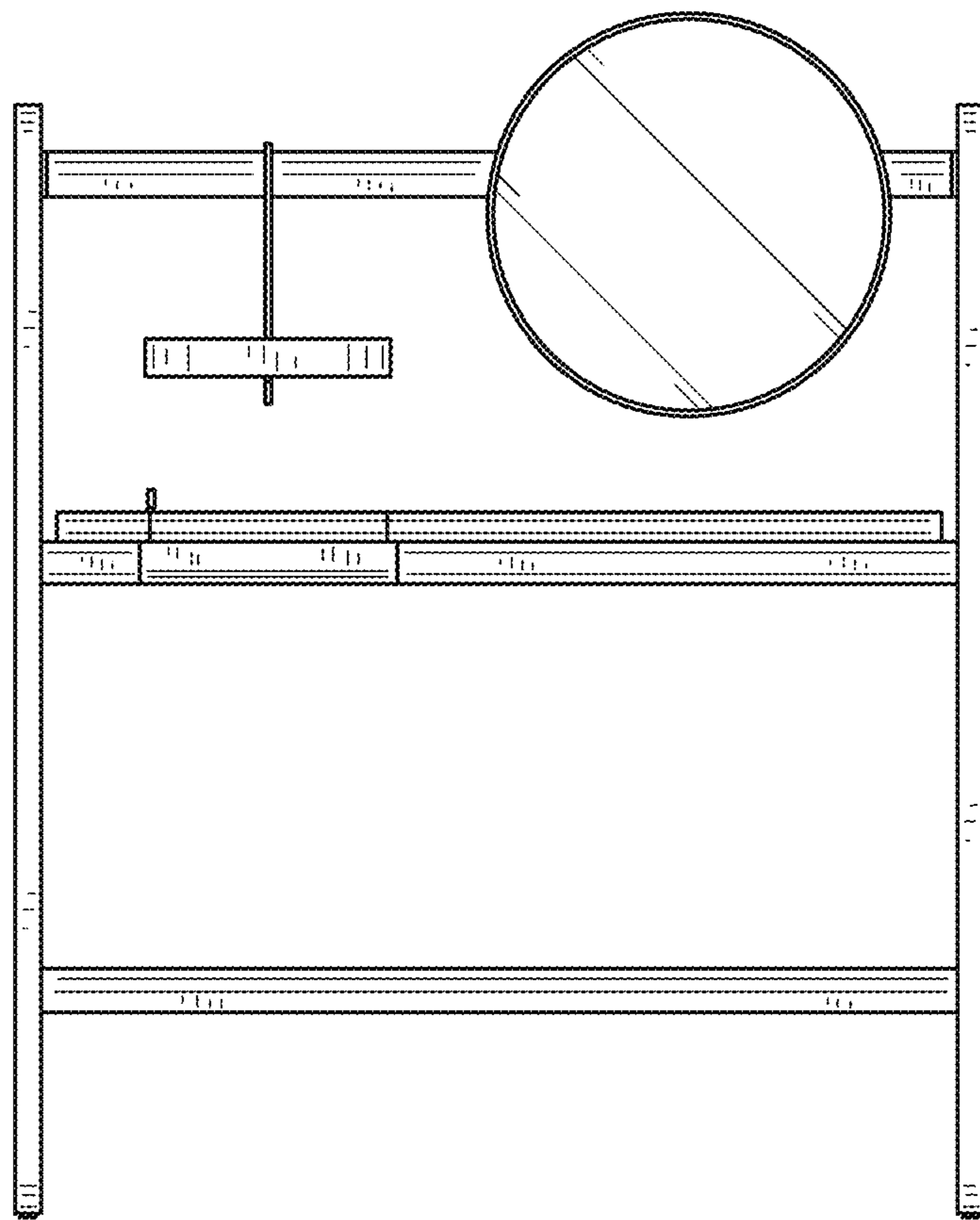


FIG.2

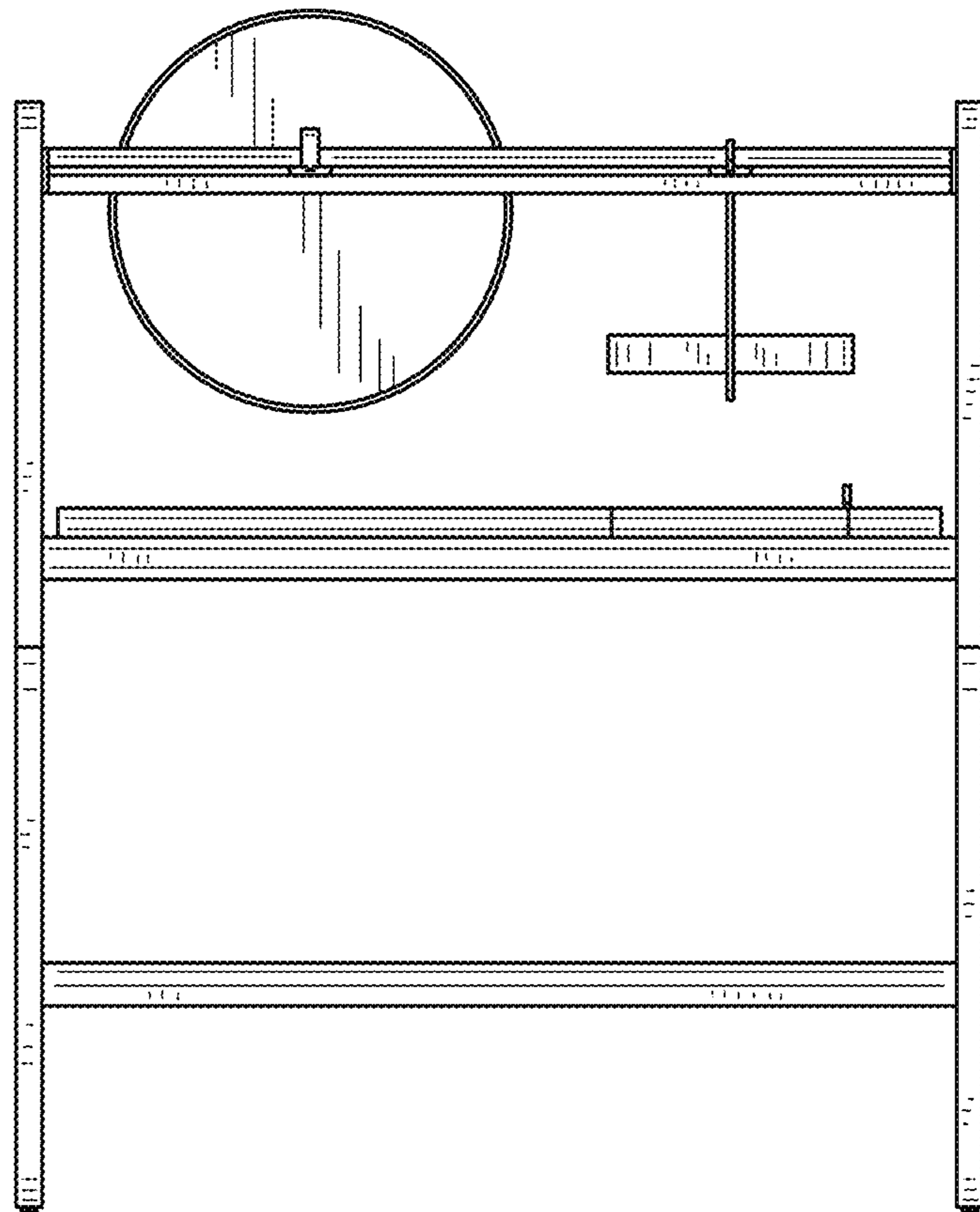


FIG.3

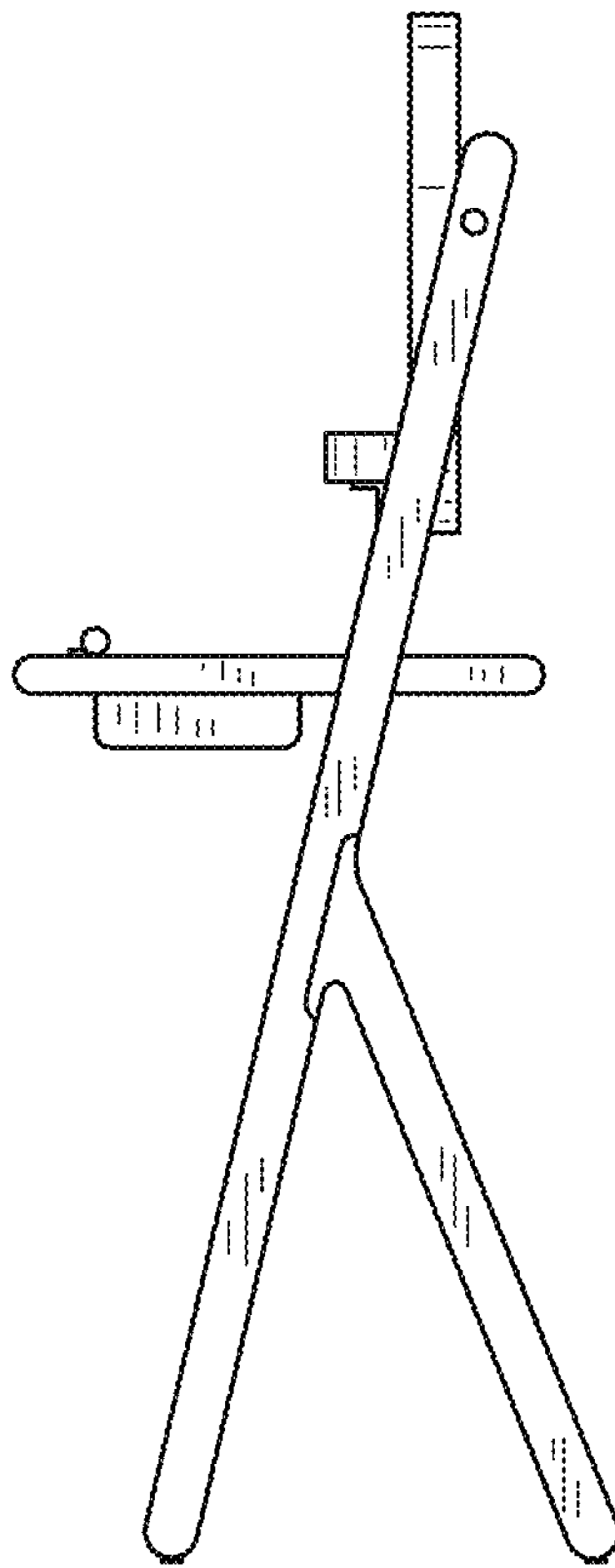


FIG.4

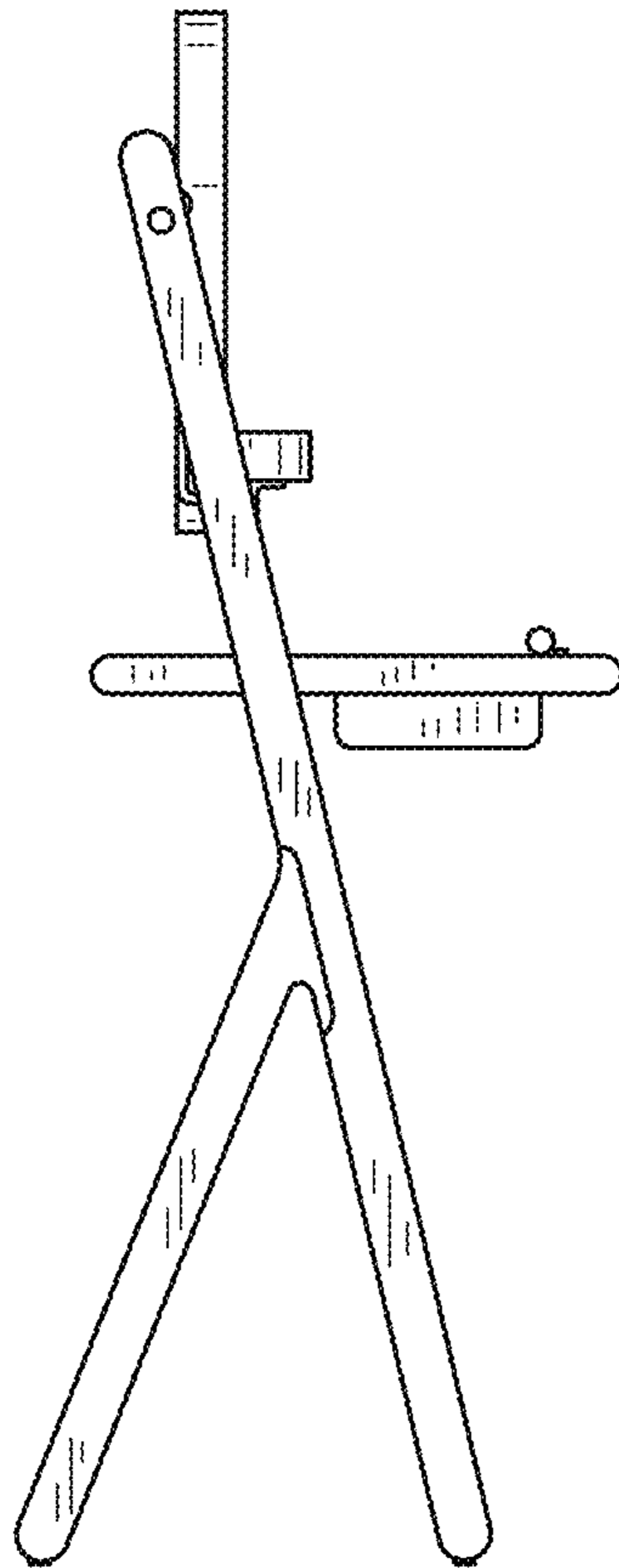


FIG.5

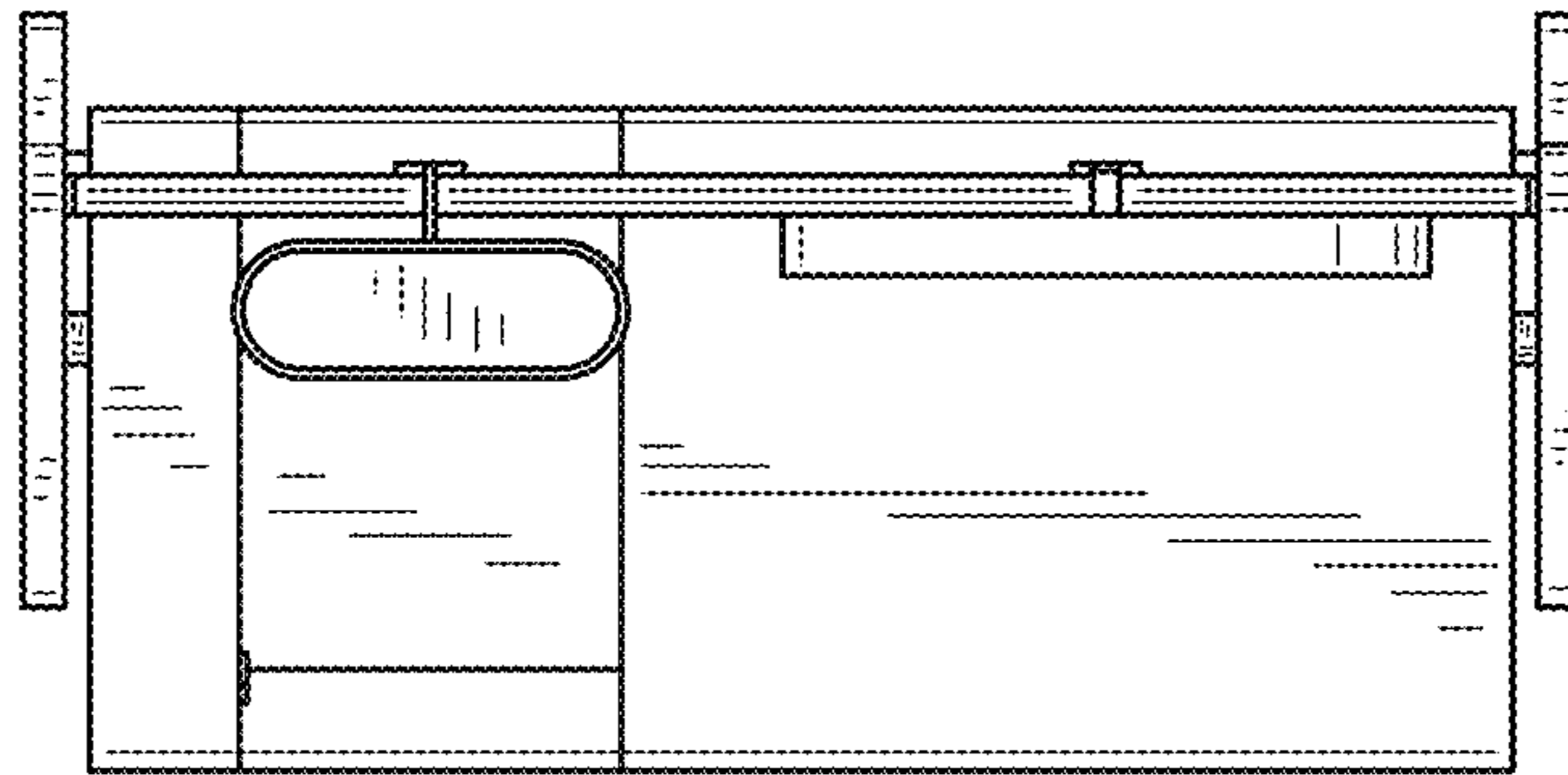


FIG. 6

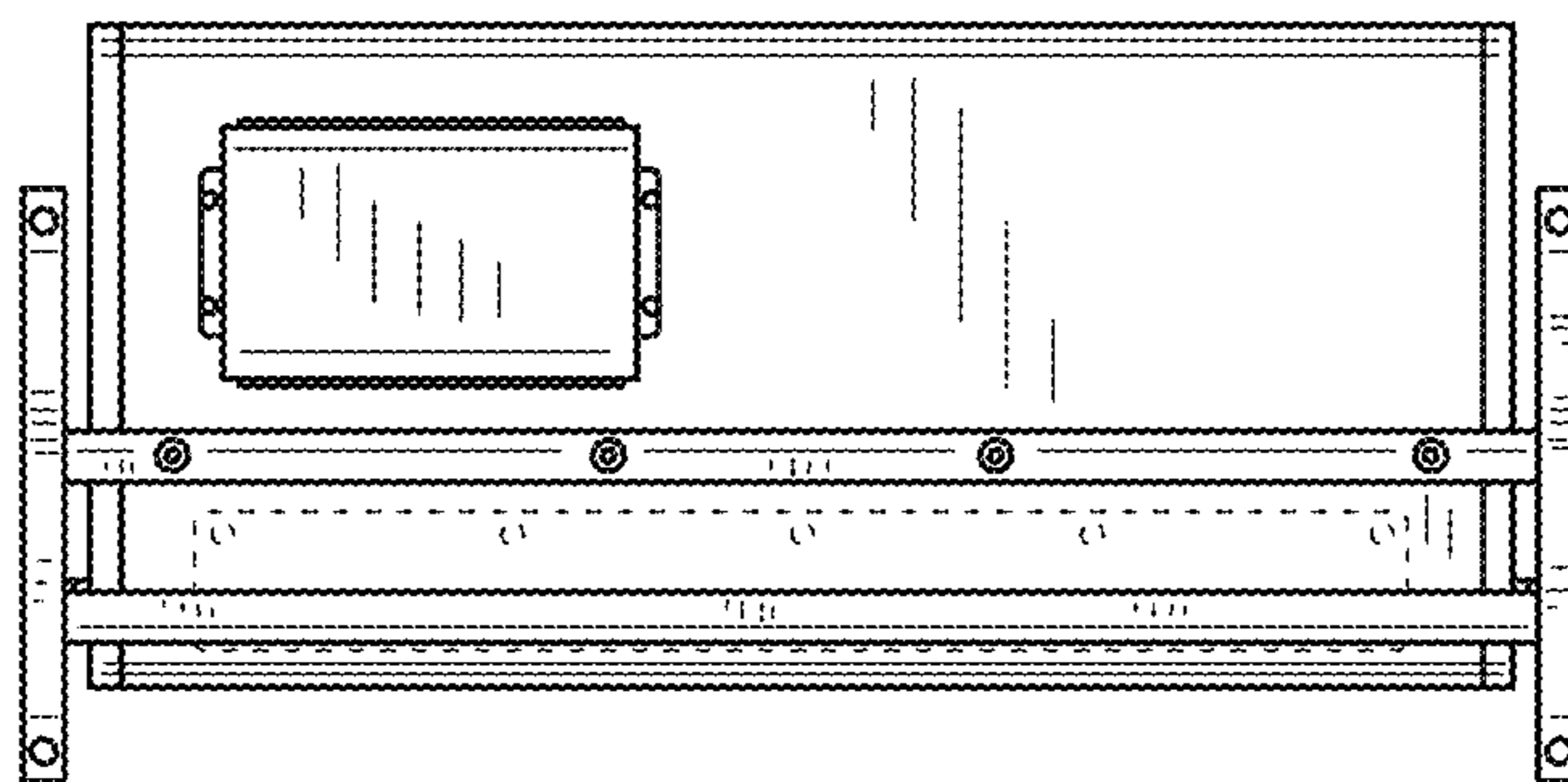


FIG. 7