



US00D829473S

(12) **United States Design Patent**  
**Mical et al.**

(10) **Patent No.:** **US D829,473 S**  
(45) **Date of Patent:** **\*\* Oct. 2, 2018**

- (54) **GARMENT RACK**
- (71) Applicant: **Honey-Can-Do International, LLC**,  
Berkeley, IL (US)
- (72) Inventors: **Pamela S. Mical**, Berkeley, IL (US);  
**Steven B. Greenspon**, Berkeley, IL  
(US); **Slobodan S. Zivanovic**, Berkeley,  
IL (US)
- (73) Assignee: **Honey-Can-Do International, LLC**,  
Berkeley, IL (US)

2,896,789 A \* 7/1959 Sans ..... A47G 25/0664  
108/28  
3,197,035 A \* 7/1965 Wolf ..... A47G 25/0664  
211/204  
3,303,938 A \* 2/1967 Solomon ..... A47F 7/24  
211/182  
3,395,811 A \* 8/1968 Bellock ..... A47G 25/0664  
211/182  
D212,482 S \* 10/1968 Lum et al. .... D6/681  
3,705,731 A \* 12/1972 Berchak ..... B62B 3/02  
280/43  
3,918,591 A \* 11/1975 Cooper ..... A47F 5/108  
211/204

(Continued)

(\*\*) Term: **15 Years**

(21) Appl. No.: **29/614,379**

(22) Filed: **Aug. 18, 2017**

(51) **LOC (11) Cl.** ..... **06-04**

(52) **U.S. Cl.**  
USPC ..... **D6/681**

(58) **Field of Classification Search**  
USPC ..... D6/315, 672, 681, 681.1, 681.2, 681.3,  
D6/682.5, 682.6  
CPC .. A47G 25/06; A47G 25/0685; A47B 47/021;  
A47B 47/027; A47B 55/02; A47B 61/02  
See application file for complete search history.

(56) **References Cited**

U.S. PATENT DOCUMENTS

1,661,667 A \* 3/1928 Mallach ..... A47F 7/24  
135/144  
D130,305 S \* 11/1941 Bersin et al. .... D6/681.1  
D130,632 S \* 12/1941 Millberg et al. .... D6/681.1  
D131,907 S \* 4/1942 Sarvis et al. .... D6/681  
D149,816 S \* 6/1948 Ivelow et al. .... 248/175  
2,798,618 A \* 7/1957 Singer ..... A47G 25/0664  
211/204  
2,885,090 A \* 5/1959 Forman ..... A47B 45/00  
211/175  
2,893,568 A \* 7/1959 Scholz ..... A47F 5/13  
211/204

*Primary Examiner* — John Windmuller

*Assistant Examiner* — Steven J Czyz

(74) *Attorney, Agent, or Firm* — Adam K. Sacharoff;  
Much Shelist, P.C.

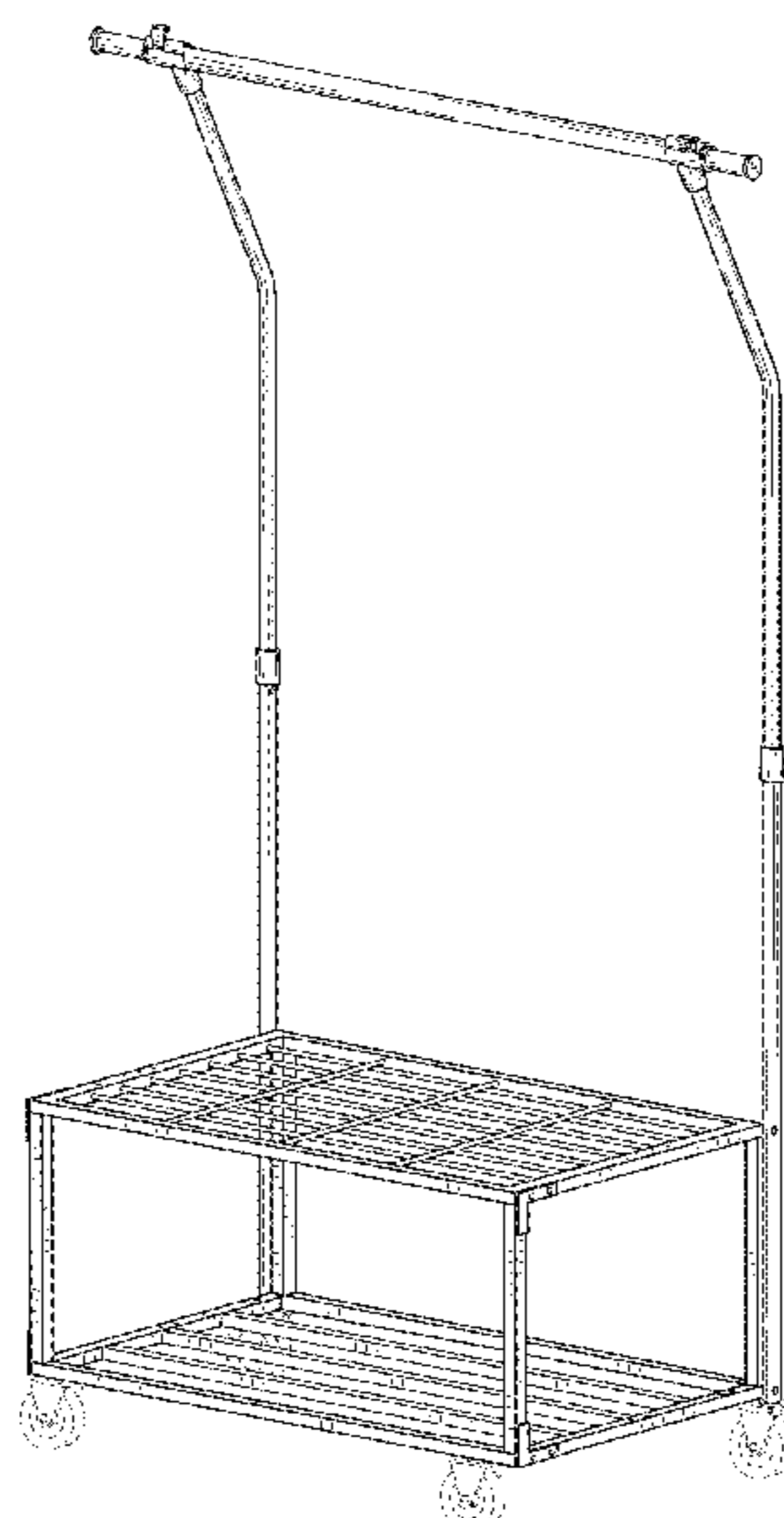
(57) **CLAIM**

The ornamental design for a garment rack, as shown and described.

**DESCRIPTION**

FIG. 1 is a front perspective view of a garment rack, showing our new design;  
FIG. 2 is a front perspective view of the garment rack, shown in a partial arm extension position;  
FIG. 3 is a front perspective view of the garment rack, shown in a condensed arm position;  
FIG. 4 is a front elevation view of FIG. 1;  
FIG. 5 is a back elevation view thereof;  
FIG. 6 is a left side view thereof;  
FIG. 7 is a right side view thereof;  
FIG. 8 is a top plan view thereof; and,  
FIG. 9 is a bottom plan view thereof.  
The broken lines depict portions of the article that form no part of the claimed design.

**1 Claim, 7 Drawing Sheets**



(56)

References Cited

U.S. PATENT DOCUMENTS

D289,243 S *	4/1987	Arnold	.....	D6/709	D749,879 S *	2/2016	Wall	.....	D6/680.3
5,090,725 A *	2/1992	Feldner	.....	B62B 3/02	D750,401 S *	3/2016	Ruiz	.....	D6/681
				211/189	D753,940 S *	4/2016	Ruiz	.....	D6/681
D364,516 S *	11/1995	Helenowski	.....	D6/681.1	D760,980 S *	7/2016	Tsai	.....	D32/37
5,617,962 A *	4/1997	Chen	.....	A47G 25/0664	D777,483 S *	1/2017	Bittle	.....	D6/681
				211/204	D809,835 S *	2/2018	Greenspon	.....	D6/681
5,718,344 A *	2/1998	Joldeson	.....	A47F 5/13	2004/0129661 A1 *	7/2004	Segall	.....	A47G 25/0664
				211/182					211/206
D424,320 S *	5/2000	Klein	.....	D6/681.1	2006/0065615 A1 *	3/2006	Wang	.....	A47B 91/02
D450,948 S *	11/2001	Stafford	.....	D6/681.1					211/206
D451,304 S *	12/2001	Felsenthal	.....	D6/678.4	2007/0163974 A1 *	7/2007	Lai	.....	A47G 25/0664
D456,167 S *	4/2002	Harwanko	.....	D6/548					211/85.3
D474,350 S *	5/2003	Sardis	.....	D6/681.1	2007/0272642 A1 *	11/2007	Baptiste	.....	A47B 43/00
6,626,307 B1 *	9/2003	Lin	.....	A47G 25/0664					211/201
				211/206	2008/0029473 A1 *	2/2008	Hu	.....	A47G 25/0664
D491,742 S *	6/2004	Harwanko	.....	D6/681.1					211/206
6,745,909 B1 *	6/2004	Lai	.....	A47G 25/0664	2012/0074082 A1 *	3/2012	Hornsby	.....	A47G 25/0685
				211/204					211/85.3
D495,523 S *	9/2004	Harwanko	.....	D6/681.1	2012/0241398 A1 *	9/2012	Lam	.....	A47G 25/0685
D495,524 S *	9/2004	Harwanko	.....	D6/681.1					211/85.3
D520,707 S *	5/2006	Phillips, II	.....	D34/19	2014/0262659 A1 *	9/2014	Hirsch	.....	A47B 61/06
D532,623 S *	11/2006	Tsai	.....	D6/675.5					190/13 R
D537,266 S *	2/2007	Ward	.....	D6/681.1	2015/0008201 A1 *	1/2015	Qiang	.....	A47F 7/24
D613,965 S *	4/2010	Tertel	.....	D6/675.5					211/85.3
7,946,434 B1 *	5/2011	Greenspon	.....	A47G 25/0685	2015/0176899 A1 *	6/2015	Jacques	.....	D06F 57/06
				211/195					211/85.7
D736,548 S *	8/2015	Hornsby	.....	D6/681.1	2016/0198850 A1 *	7/2016	Wall	.....	A47B 87/0207
									211/36
					2016/0235231 A1 *	8/2016	Lai	.....	A47G 25/0685

\* cited by examiner

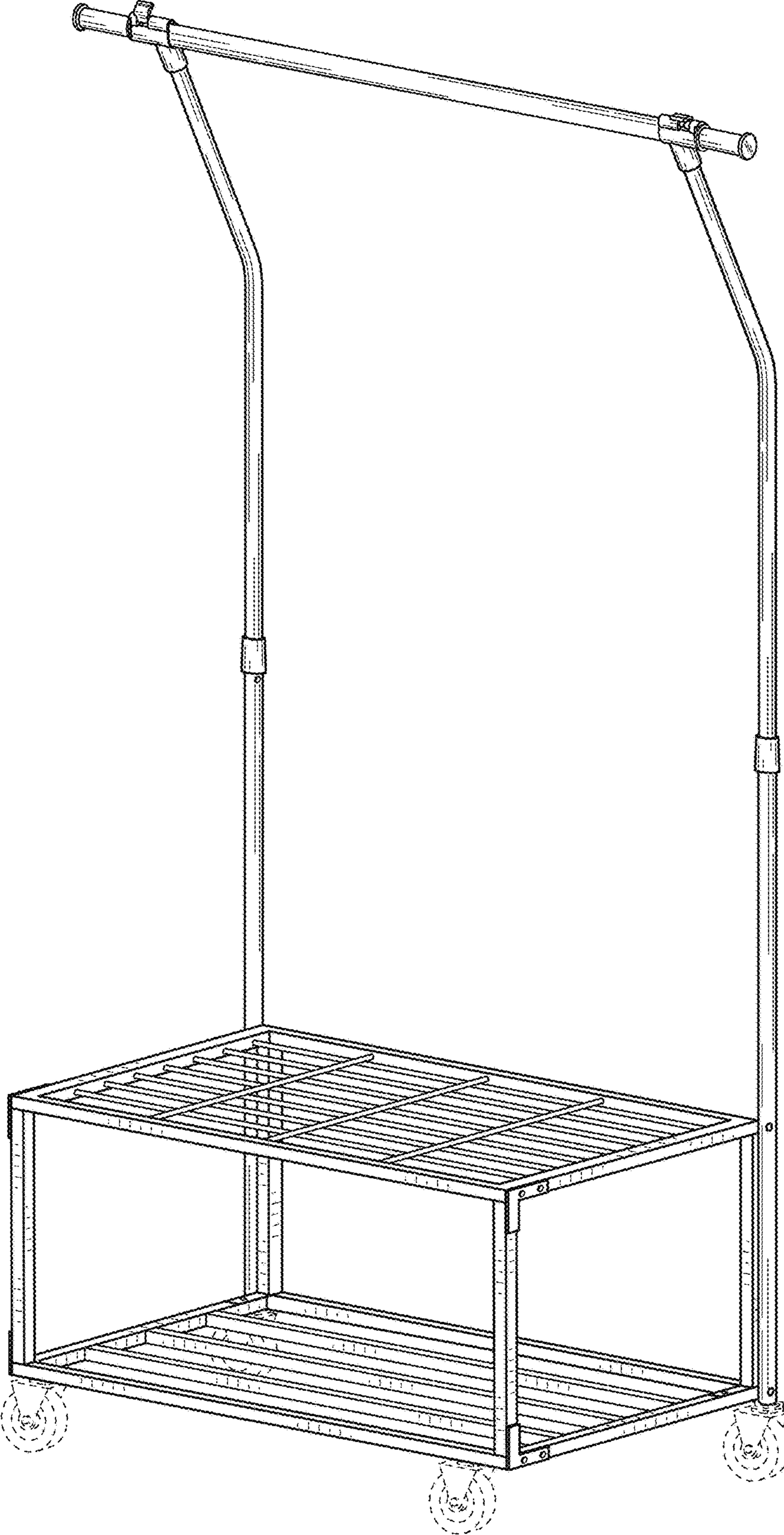


FIG. 1



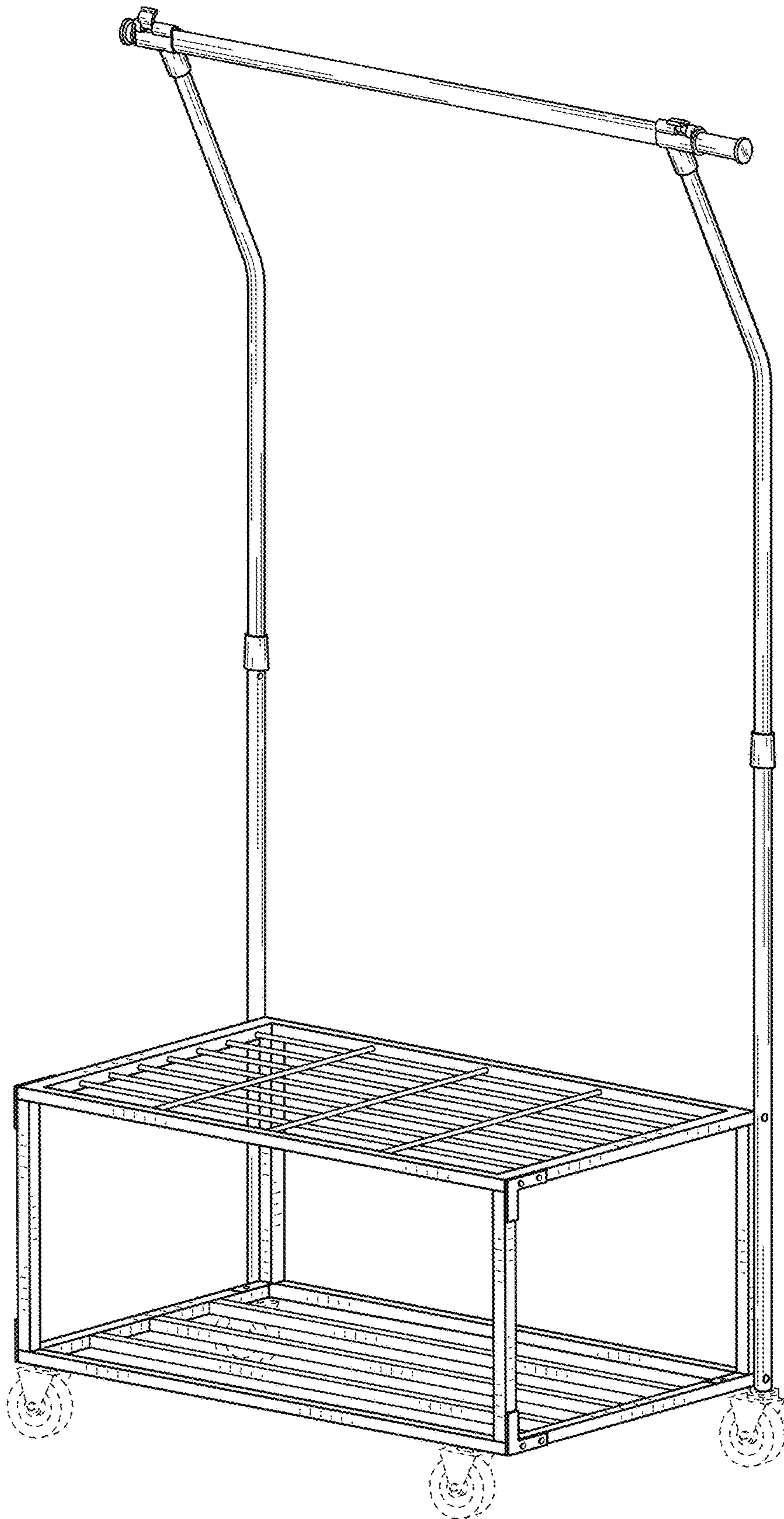


FIG. 2

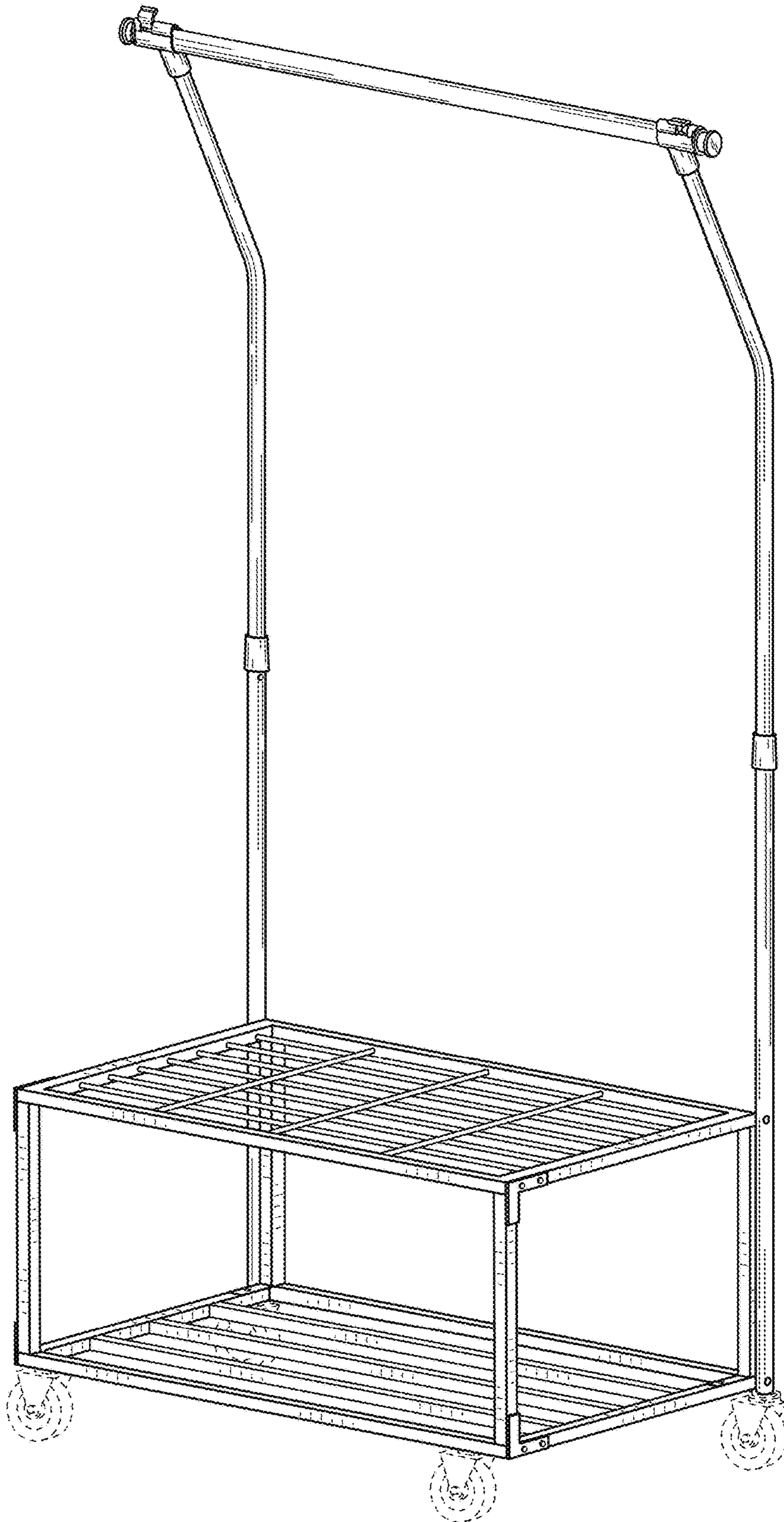


FIG. 3

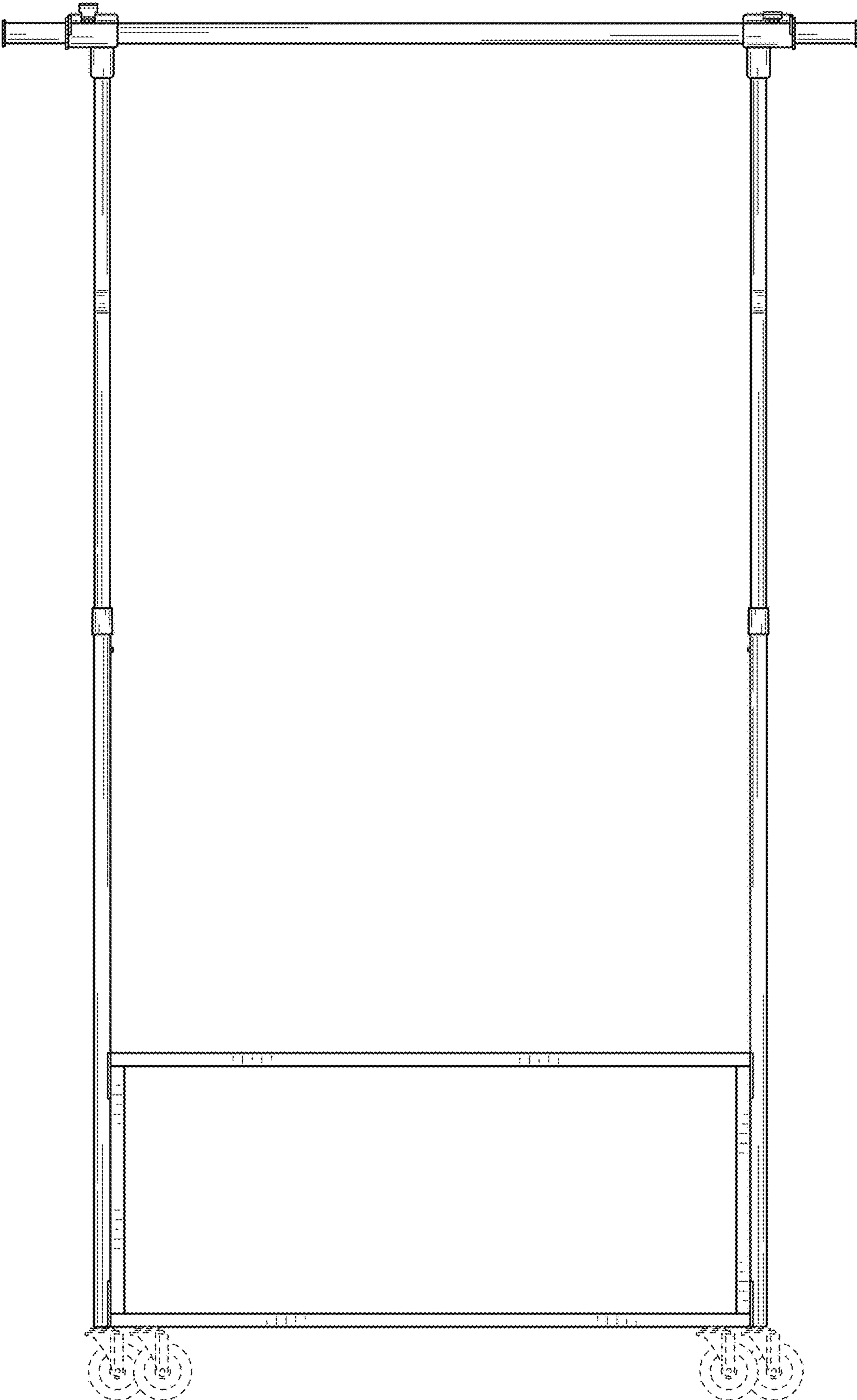


FIG. 4

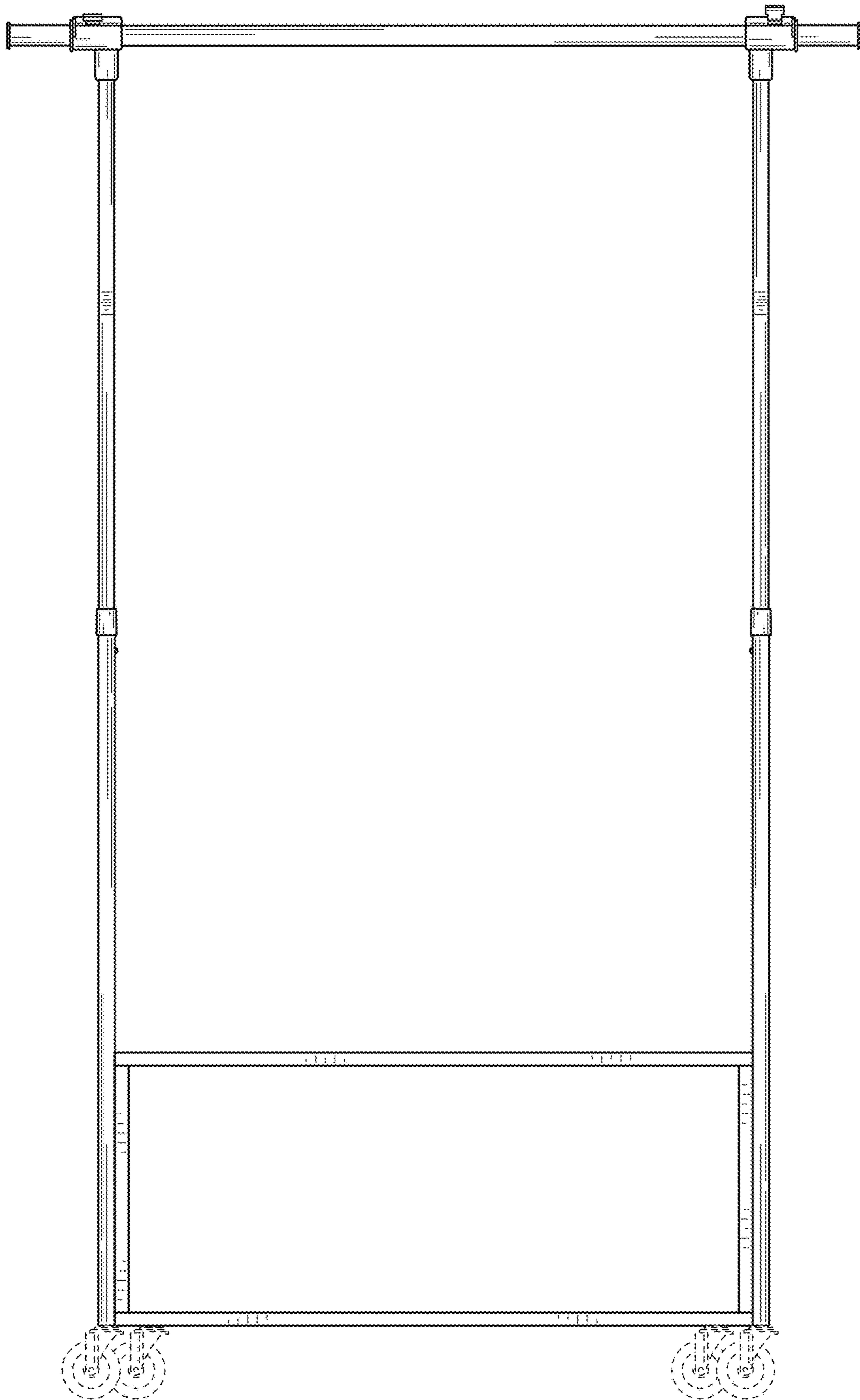


FIG. 5



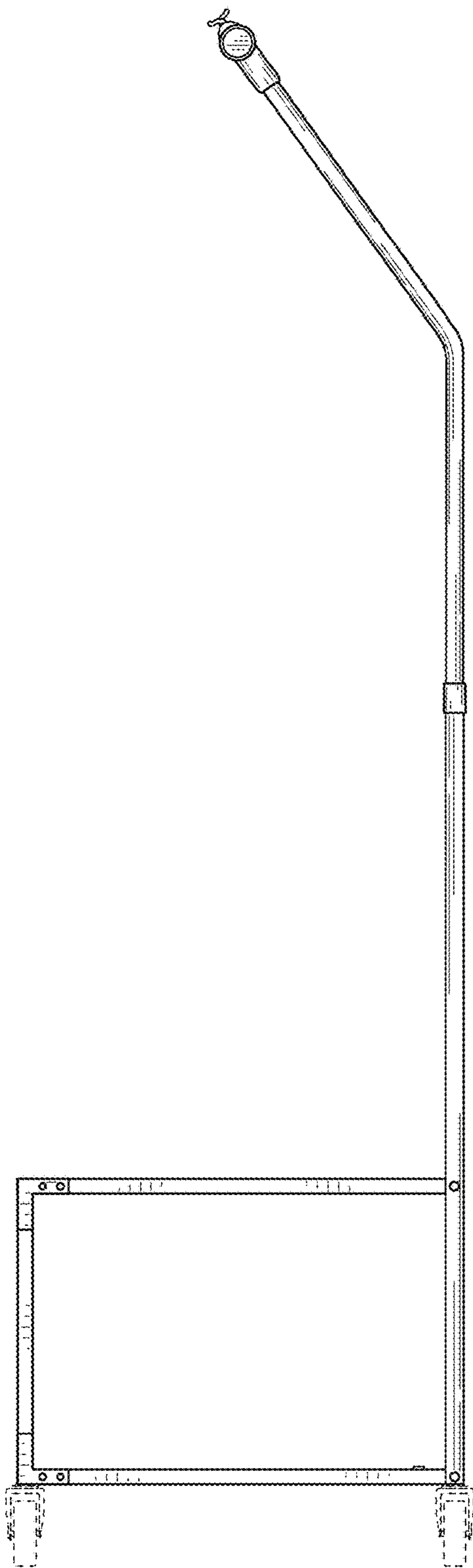


FIG. 6

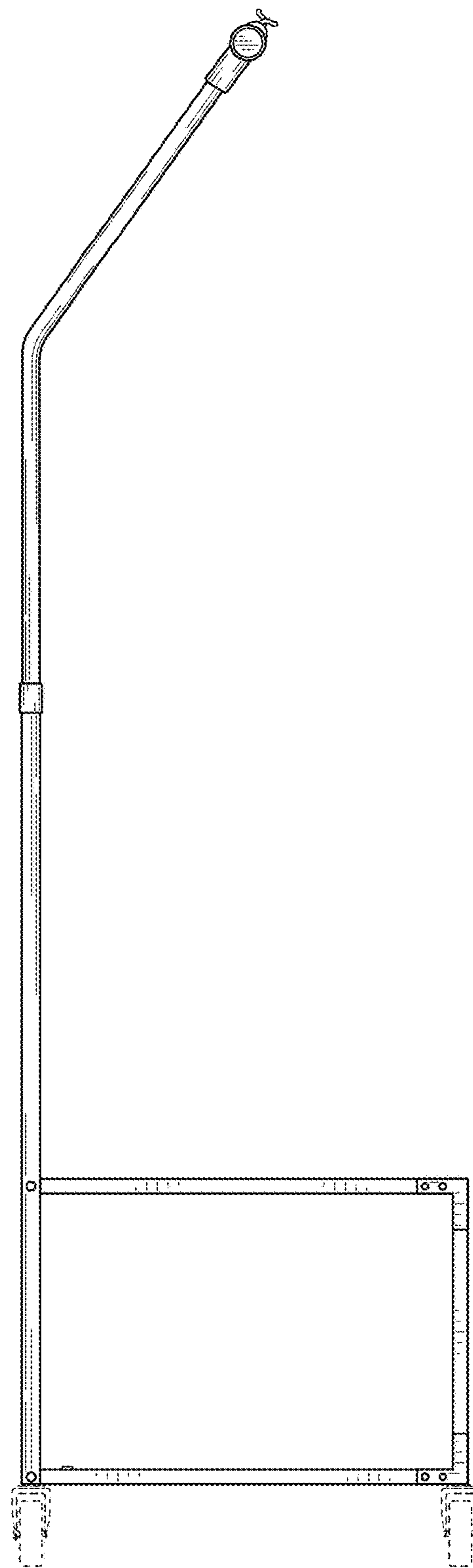


FIG. 7



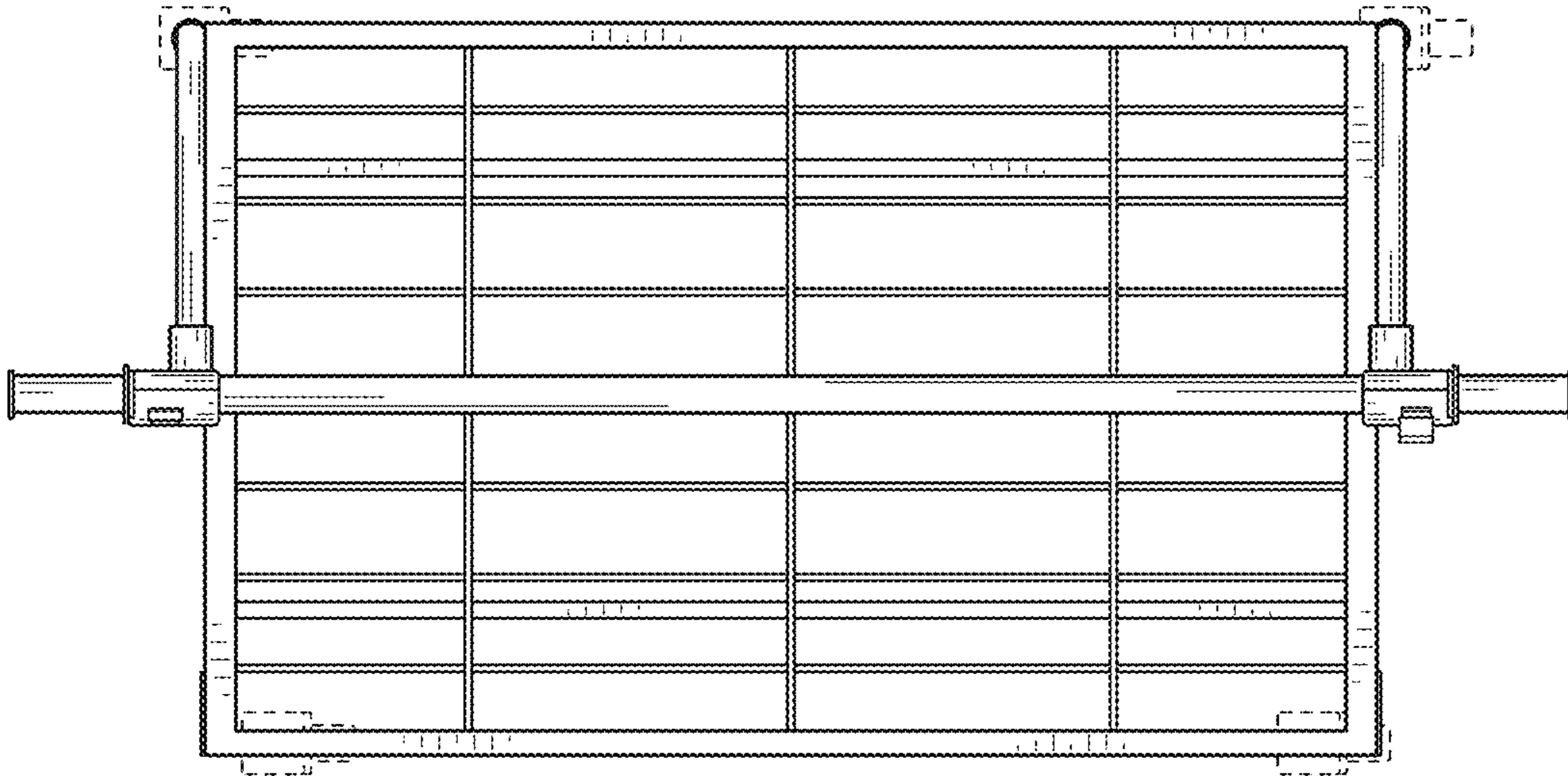


FIG. 8

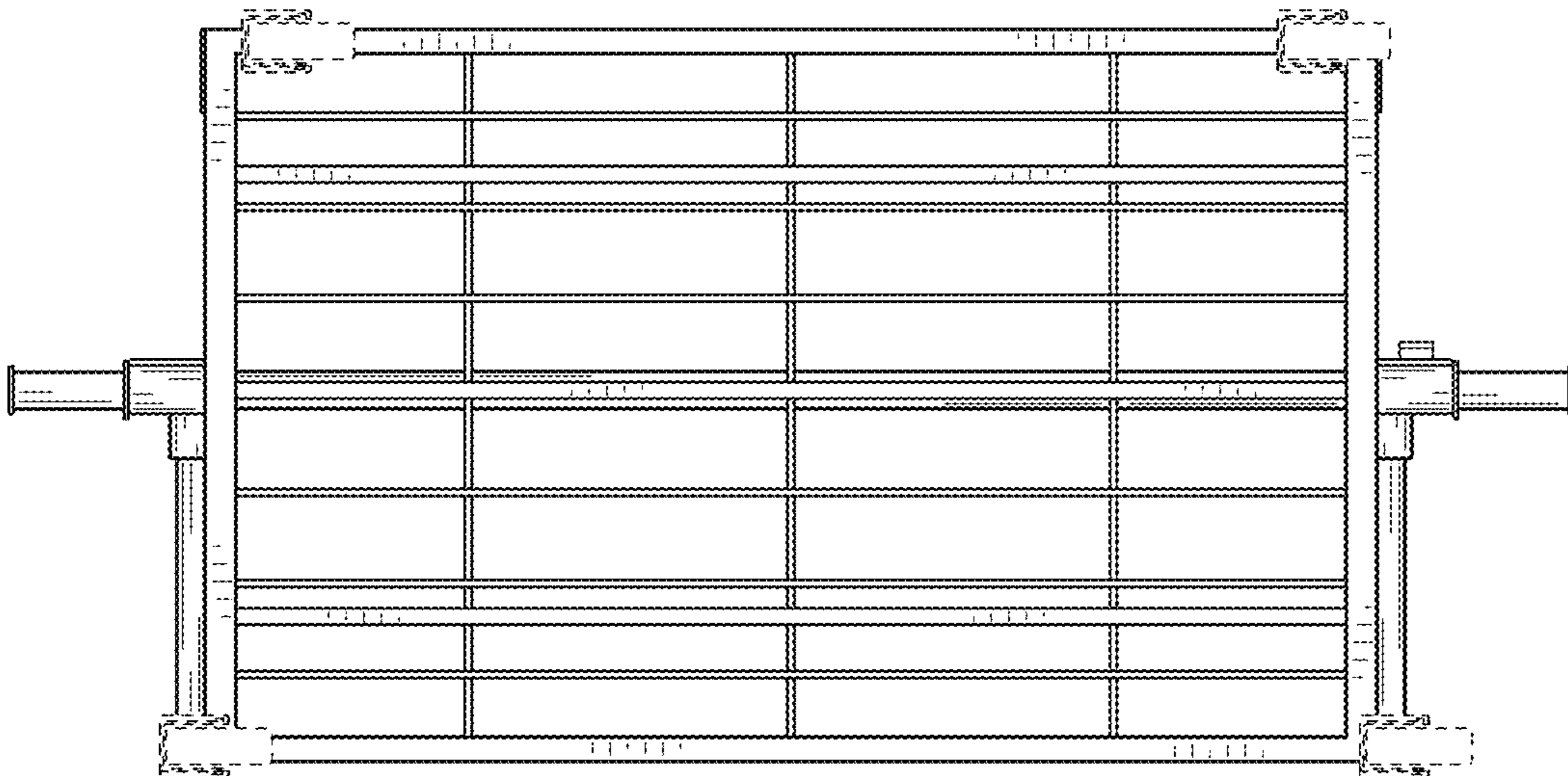


FIG. 9