



US00D829470S

(12) **United States Design Patent**
Huang

(10) **Patent No.:** **US D829,470 S**

(45) **Date of Patent:** **** Oct. 2, 2018**

(54) **MEMORY FOAM PILLOW**

D668,092 S * 10/2012 Davis D6/601
D750,397 S * 3/2016 Werner D6/601
D815,860 S * 4/2018 Krishtul D6/601

(71) Applicant: **Shenzhen Boanju Household Products Limited**, Shenzhen (CN)

* cited by examiner

(72) Inventor: **Jiasheng Huang**, Shenzhen (CN)

Primary Examiner — R. Johnson

(73) Assignee: **Shenzhen Boanju Household Products Limited**, Shenzhen (CN)

(74) *Attorney, Agent, or Firm* — Schmeiser, Olsen & Watts, LLP

(**) Term: **15 Years**

(21) Appl. No.: **29/628,611**

(57) **CLAIM**

(22) Filed: **Dec. 6, 2017**

The ornamental design for memory foam pillow, as shown and described.

(51) **LOC (11) Cl.** **06-09**

(52) **U.S. Cl.**
USPC **D6/601**

(58) **Field of Classification Search**
USPC D6/596, 601; 5/631–633, 636–640
CPC A47G 9/10; A47G 9/1009; A47G 2009/1018; A47G 9/1027; A47G 9/1036; A47G 9/1045; A47G 9/1054; A47G 9/1063; A47G 9/1072; A47G 9/1081; A47G 9/109

DESCRIPTION

FIG. 1 is a top and right perspective view of a memory foam pillow showing my new design;
FIG. 2 is a bottom and left perspective view thereof;
FIG. 3 is a front elevational view thereof;
FIG. 4 is a rear elevational view thereof;
FIG. 5 is a top plan view thereof;
FIG. 6 is a bottom plan view thereof;
FIG. 7 is a left side view thereof; and,
FIG. 8 is a right side view thereof.

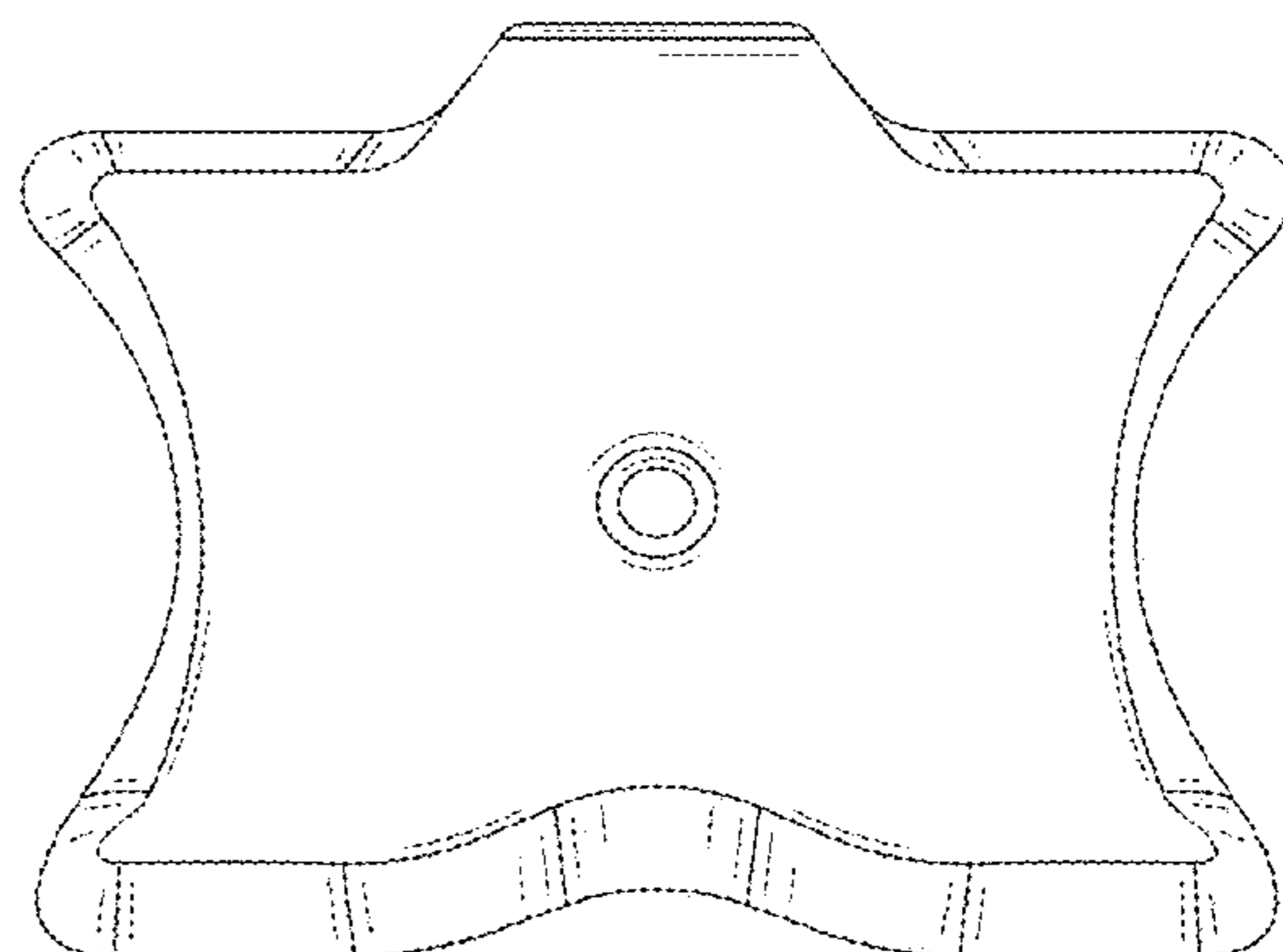
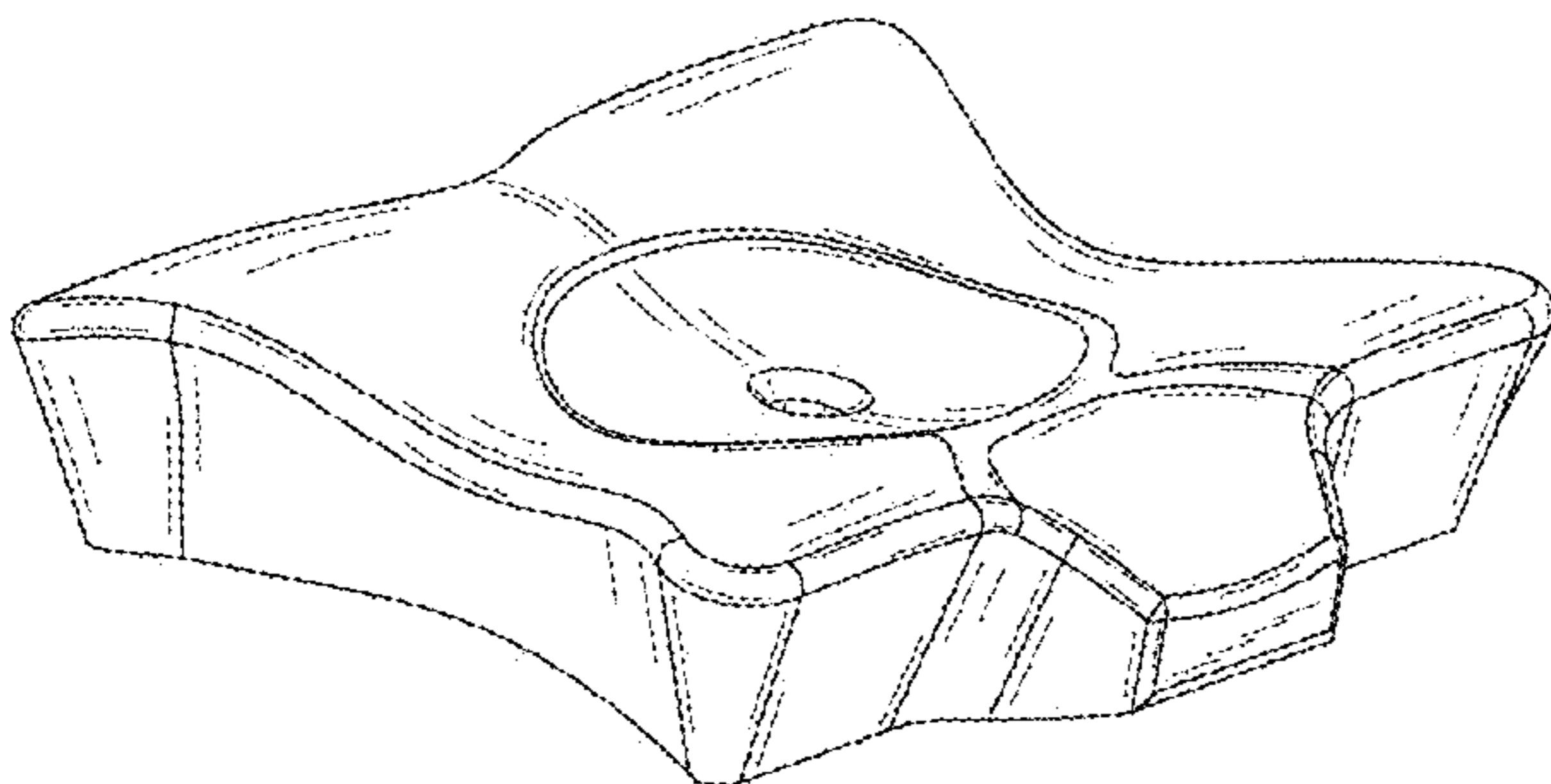
See application file for complete search history.

(56) **References Cited**

U.S. PATENT DOCUMENTS

D639,101 S * 6/2011 Kalatsky D6/601
D652,240 S * 1/2012 Colman D6/601

1 Claim, 8 Drawing Sheets



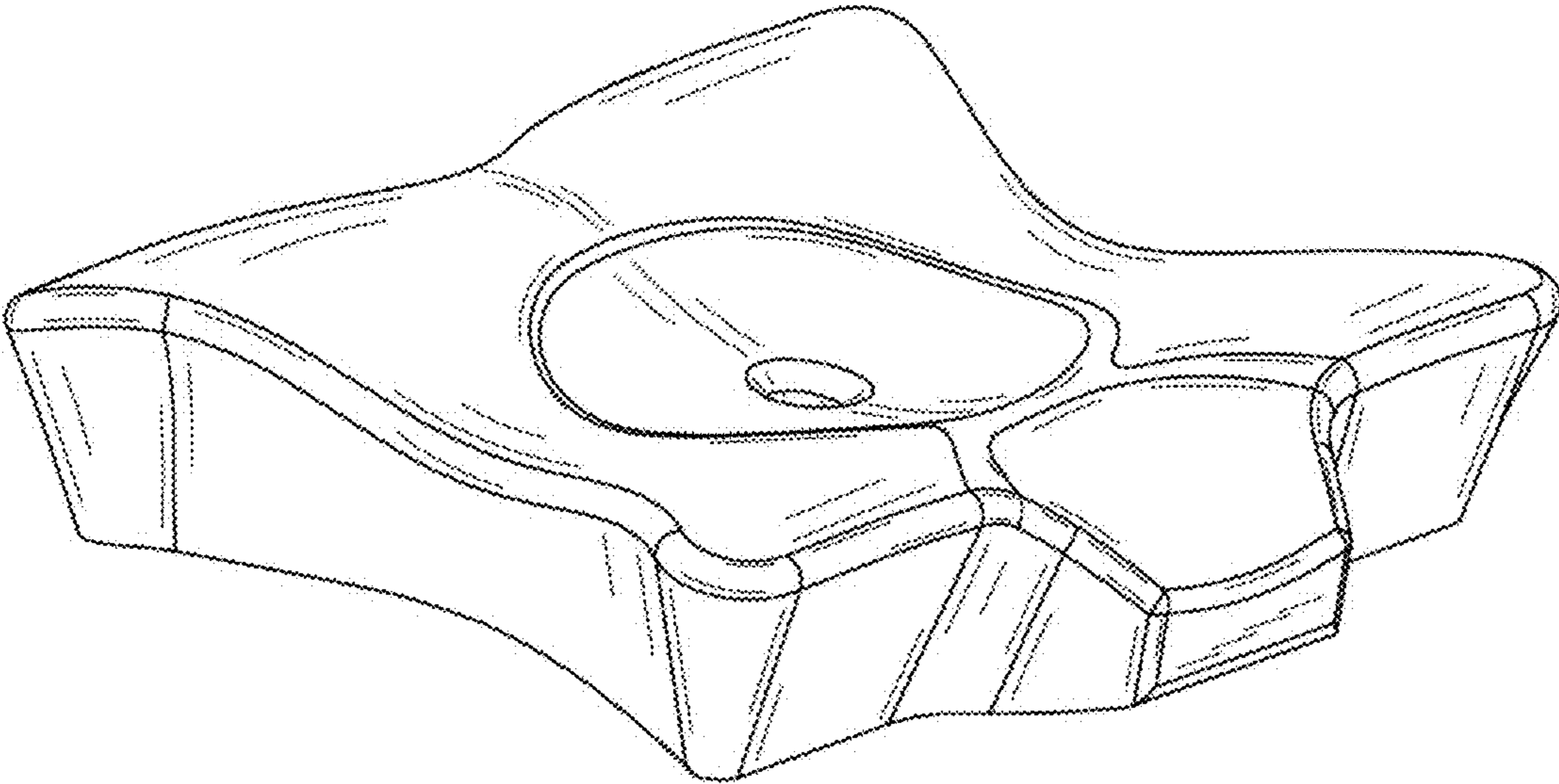


FIG. 1

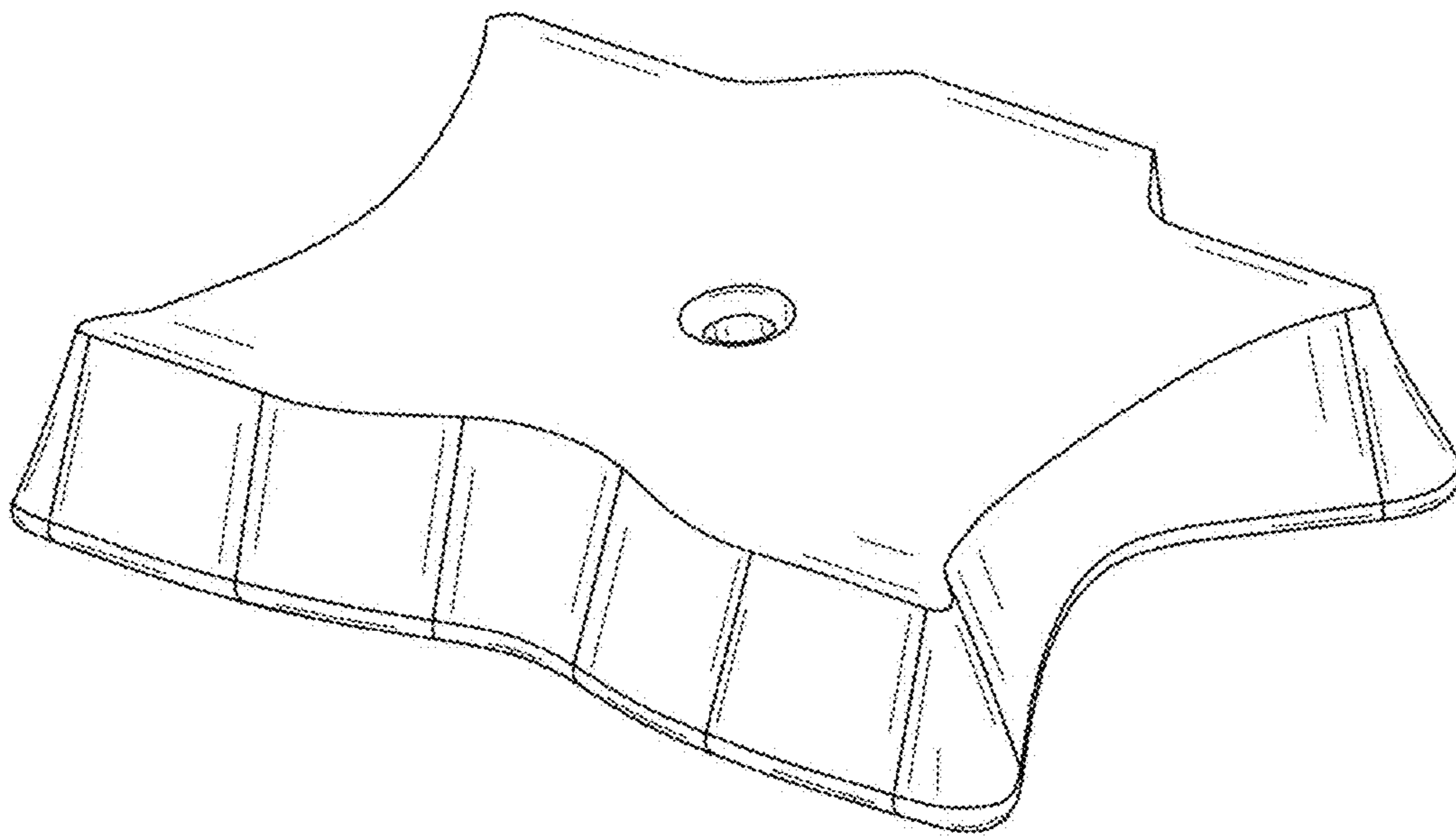


FIG. 2

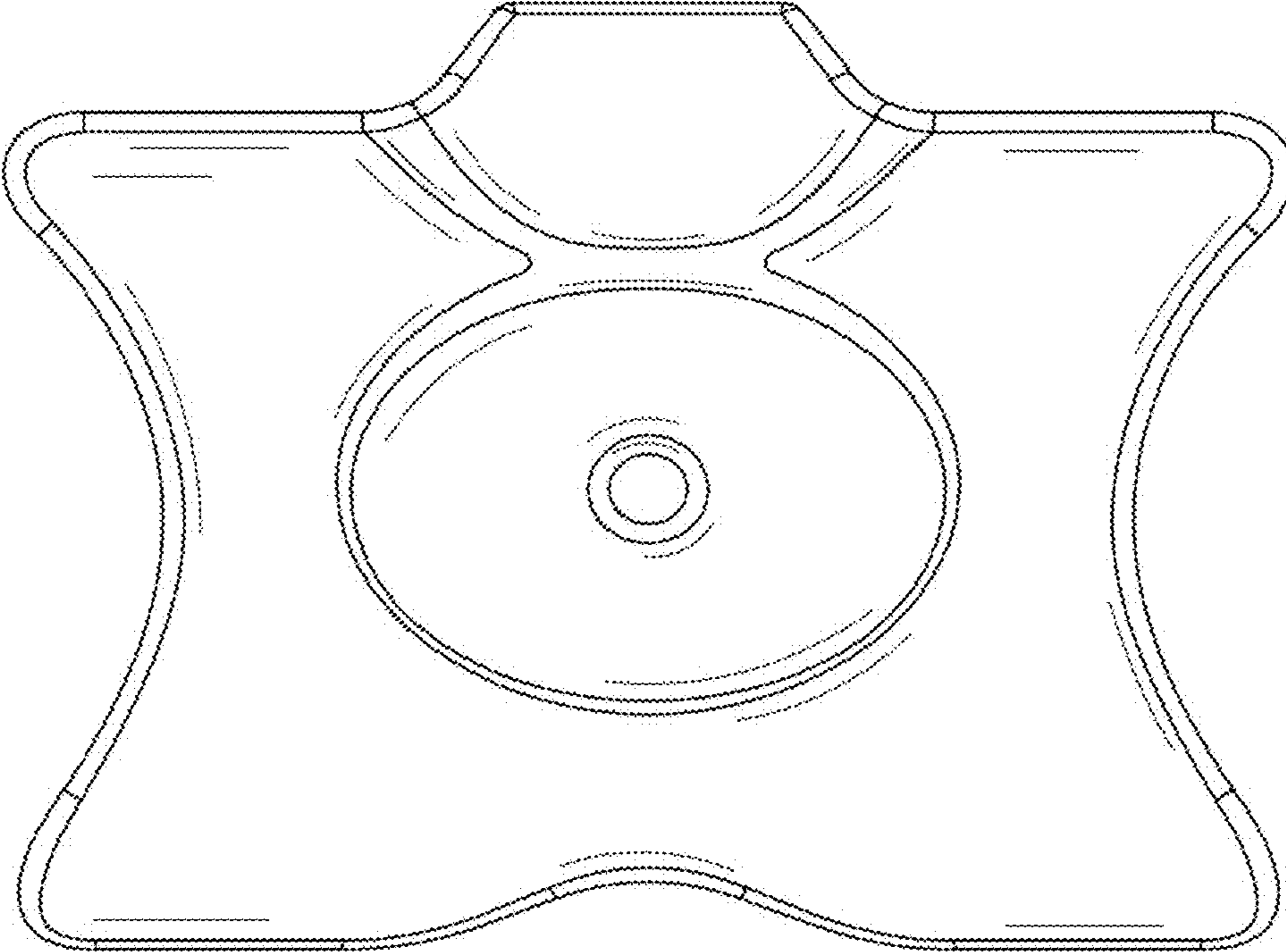


FIG. 3

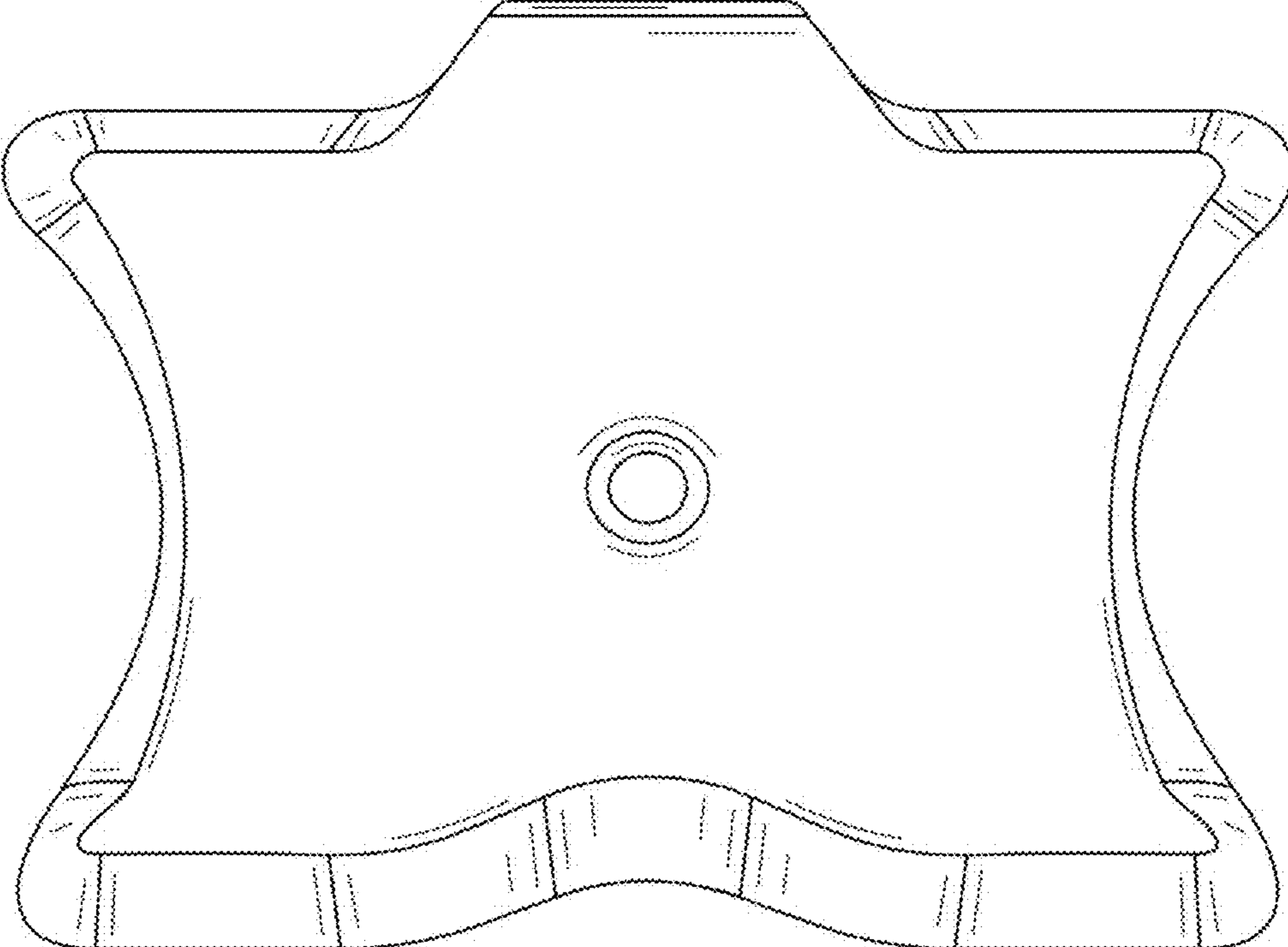


FIG. 4

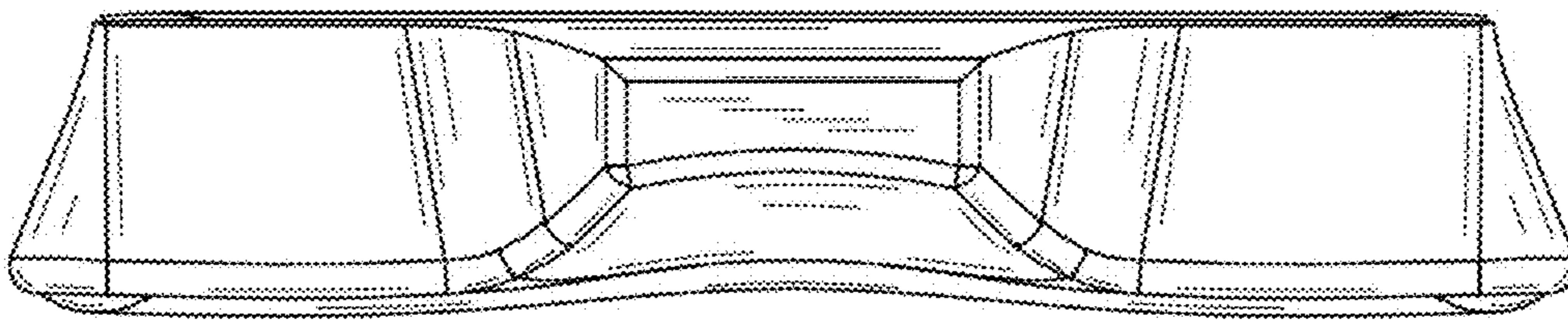


FIG. 5

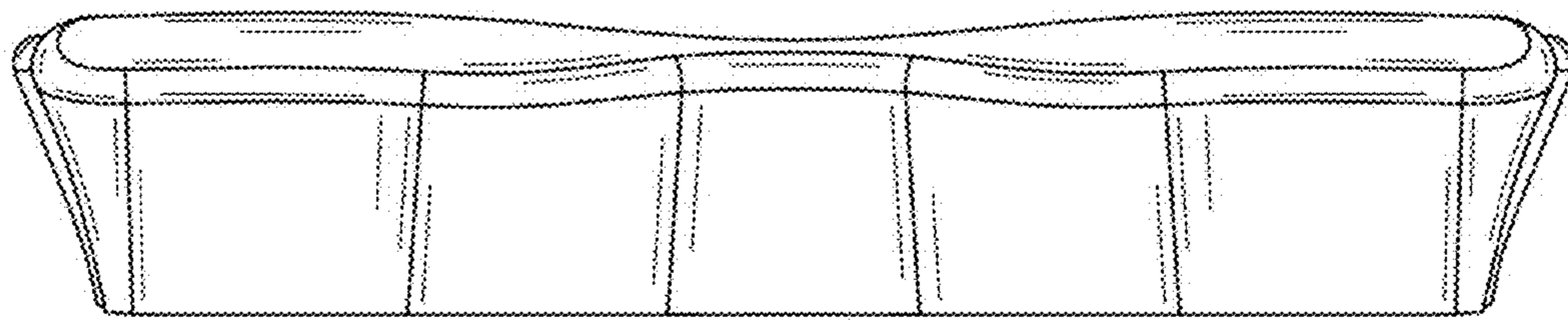


FIG. 6

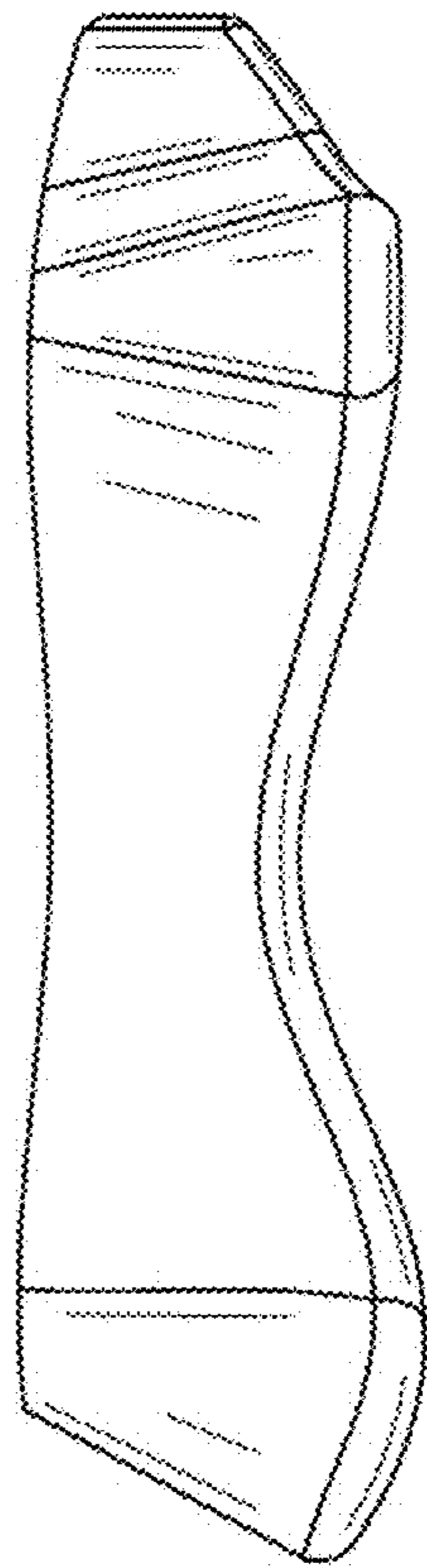


FIG. 7

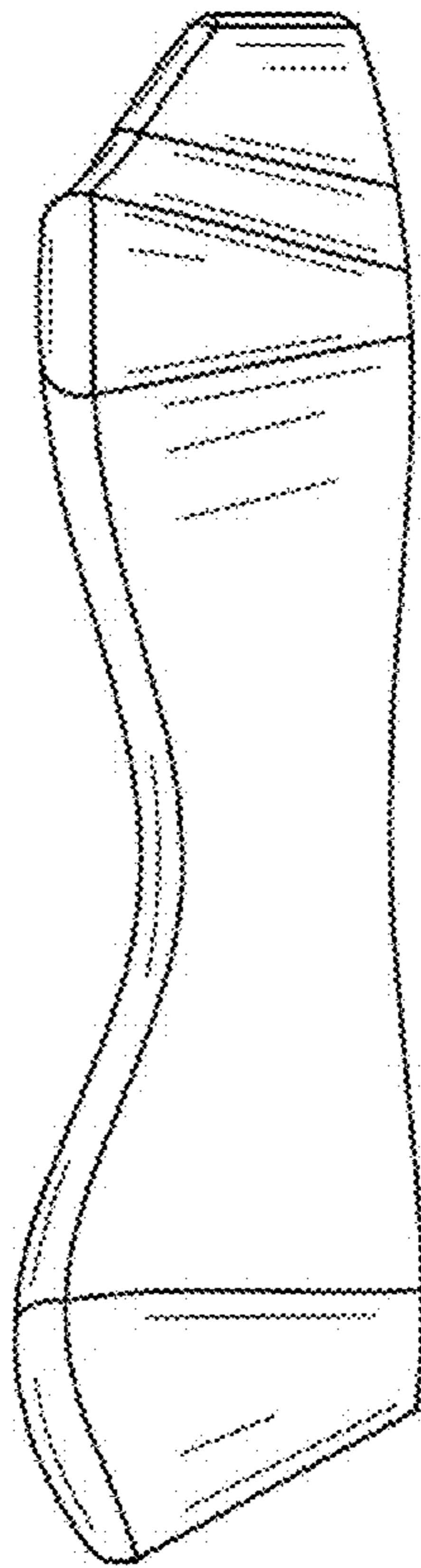


FIG. 8