



US00D829468S

(12) **United States Design Patent** (10) **Patent No.:** **US D829,468 S**  
**Anderson et al.** (45) **Date of Patent:** **\*\* Oct. 2, 2018**

(54) **BUTTON FOR A WINDOW COVERING**  
(71) Applicant: **Hunter Douglas Inc.**, Pearl River, NY (US)  
(72) Inventors: **Richard Anderson**, Whitesville, KY (US); **Dwain Poynter**, Philpot, KY (US); **Fred Bould**, Menlo Park, CA (US); **Winslow Harte**, San Carlos, CA (US)  
(73) Assignee: **HUNTER DOUGLAS INC.**, Pearl River, NY (US)  
(\*\*) Term: **14 Years**

D299,606 S \* 1/1989 Pomroy ..... D7/542  
D320,908 S \* 10/1991 Zimmerman ..... D7/359  
D321,302 S \* 11/1991 Zimmerman ..... D7/359  
D322,013 S \* 12/1991 Daenen ..... D7/502  
5,572,082 A \* 11/1996 Sokol ..... H03H 9/0514  
310/348  
5,806,142 A \* 9/1998 Wang ..... A45C 13/262  
16/405  
D407,463 S \* 3/1999 Outlaw ..... D23/207  
D407,974 S \* 4/1999 Zimmer ..... D9/424  
D421,966 S \* 3/2000 Allen ..... D13/174  
D434,393 S \* 11/2000 Gehr ..... D13/174  
D440,482 S \* 4/2001 Chang ..... D8/319  
D464,329 S \* 10/2002 Mainiero ..... D13/169  
D466,903 S \* 12/2002 Chen ..... D14/483  
D538,758 S \* 3/2007 Lemaire ..... D13/169  
7,191,878 B2 \* 3/2007 Lu ..... A45C 13/262  
16/113.1  
D541,567 S \* 5/2007 Spence ..... D6/580  
D583,299 S \* 12/2008 Manson ..... D12/421

(21) Appl. No.: **29/522,083**  
(22) Filed: **Mar. 27, 2015**  
(51) **LOC (11) Cl.** ..... **06-10**  
(52) **U.S. Cl.**  
USPC ..... **D6/580**  
(58) **Field of Classification Search**  
USPC ..... D6/575, 576, 577, 578, 579, 580, 581;  
D8/17, 349, 350-353, 369, 376, 378, 379,  
D8/404; D13/171, 174; D21/333;  
D3/318  
CPC ..... E06B 3/30; E06B 9/00; E06B 9/02; E06B  
9/24; E06B 9/262; A47H 1/00; A47H  
1/02; A47H 21/00; A47H 23/00; A47H  
23/02; A47H 23/04; A47H 2001/0205;  
A47H 2023/025  
See application file for complete search history.

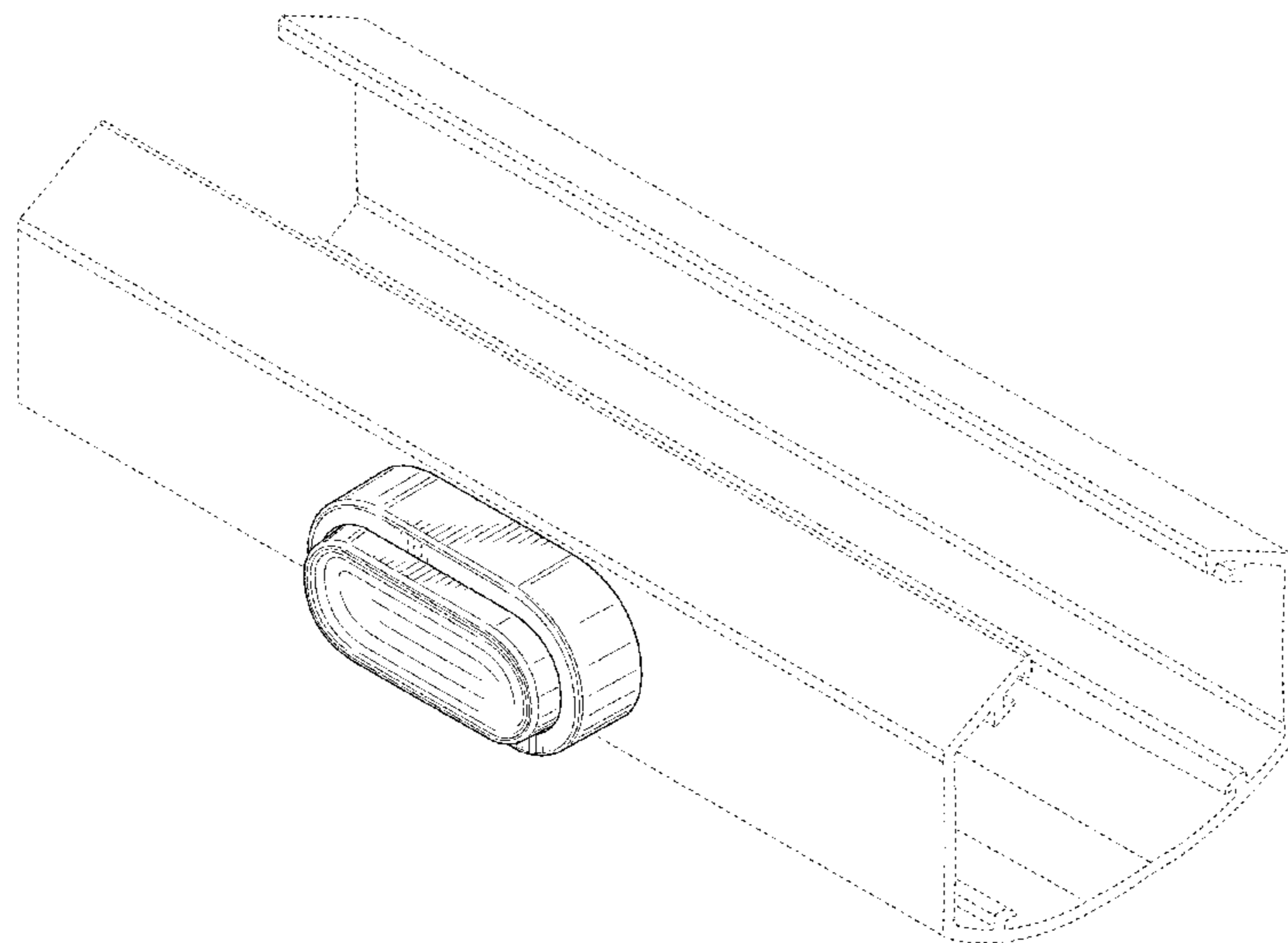
(56) **References Cited**  
U.S. PATENT DOCUMENTS  
D151,305 S \* 10/1948 Waltman ..... D13/171  
3,805,098 A \* 4/1974 Carpenter ..... G04F 5/063  
310/344  
D248,357 S \* 7/1978 Daenen ..... D7/505

*Primary Examiner* — Karen S Acker  
*Assistant Examiner* — Wendy Arminio  
(74) *Attorney, Agent, or Firm* — Dority & Manning, P.A.

(57) **CLAIM**  
The ornamental design for a button for a window covering, as shown and described.

**DESCRIPTION**  
FIG. 1 is a top perspective view of a button for a window covering showing our design in a position of use;  
FIG. 2 is a front view thereof;  
FIG. 3 is a top view thereof;  
FIG. 4 is a bottom view thereof; and,  
FIG. 5 is a left side view thereof, the right side view being a mirror image thereof.  
The rear of the button cannot be seen when the button is in use. The broken lines in FIGS. 1-5 represent environmental structure that forms no part of the claimed design.

**1 Claim, 5 Drawing Sheets**



(56)

**References Cited**

U.S. PATENT DOCUMENTS

7,507,924 B2 \* 3/2009 Lorenzo Riera ..... H01H 13/023  
200/314  
7,705,255 B2 \* 4/2010 Yokote ..... H01H 13/06  
200/302.2  
D627,128 S \* 11/2010 El Saifi ..... D1/127  
D685,333 S \* 7/2013 Beroukas ..... D13/174  
D712,847 S \* 9/2014 Dorn ..... D13/174  
D727,858 S \* 4/2015 Sakai ..... D13/174  
2004/0141739 A1 \* 7/2004 Sotome ..... G03B 21/28  
396/543  
2004/0182666 A1 \* 9/2004 Chang ..... A45C 13/262  
190/115  
2008/0179153 A1 \* 7/2008 Wu ..... A45C 13/262  
190/115  
2011/0240453 A1 \* 10/2011 Shu ..... H01H 13/84  
200/5 A  
2012/0186958 A1 \* 7/2012 Yang ..... G06F 1/1671  
200/314

\* cited by examiner

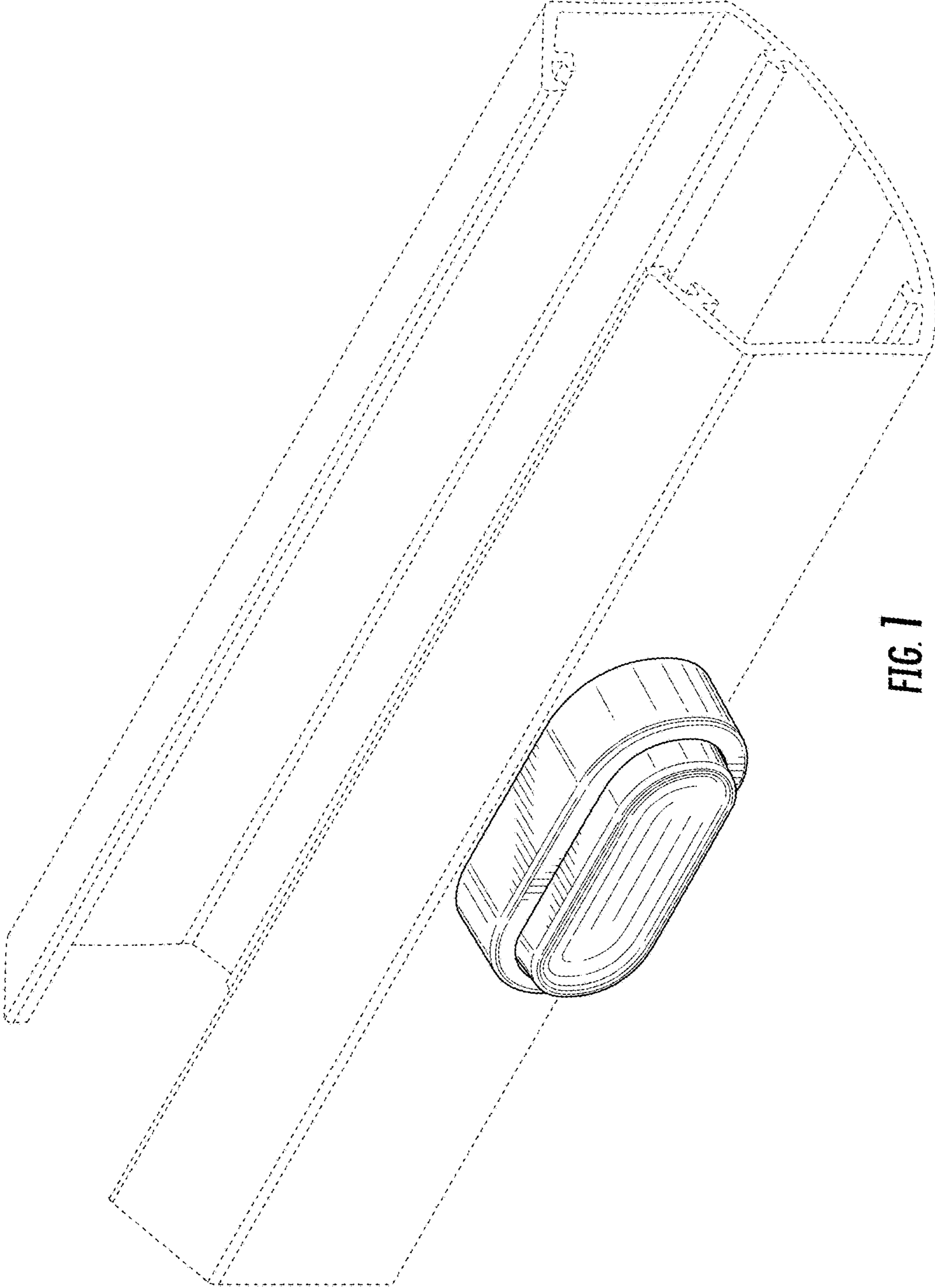


FIG. 1

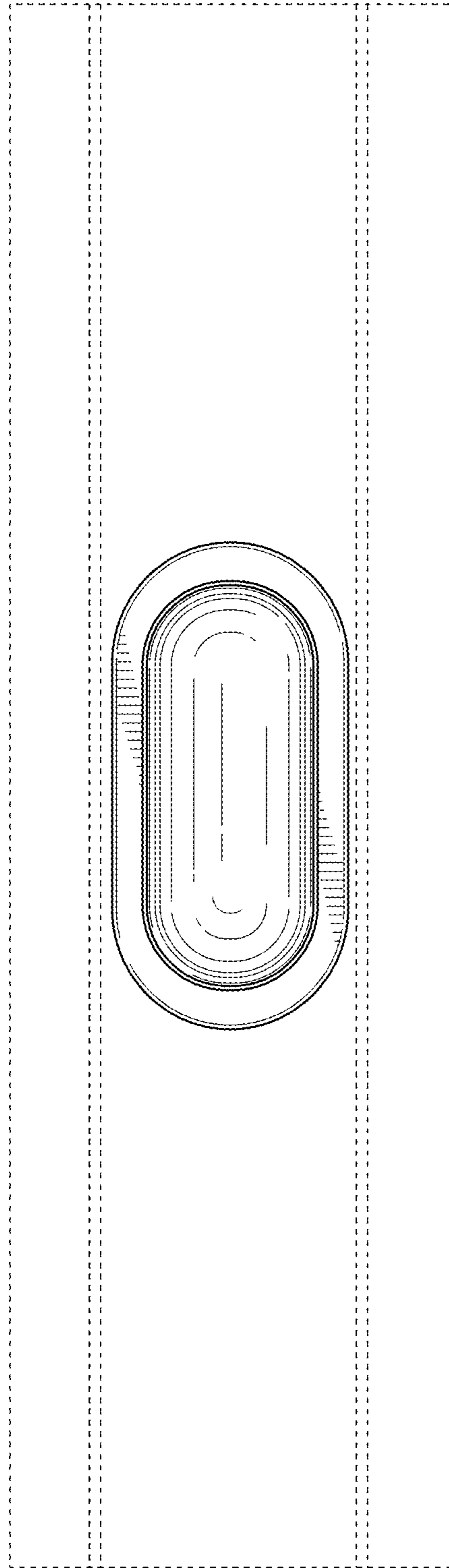


FIG. 2

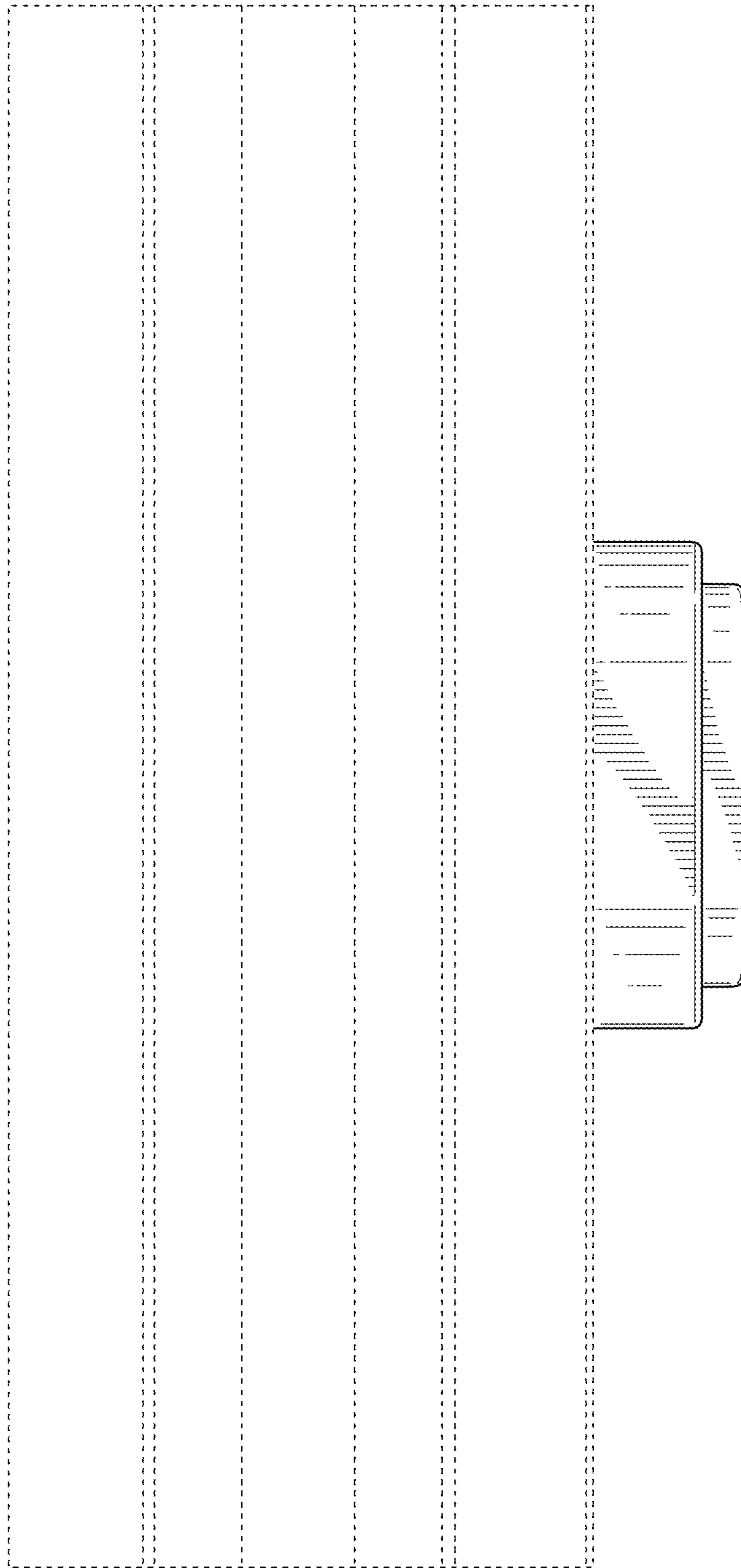


FIG. 3

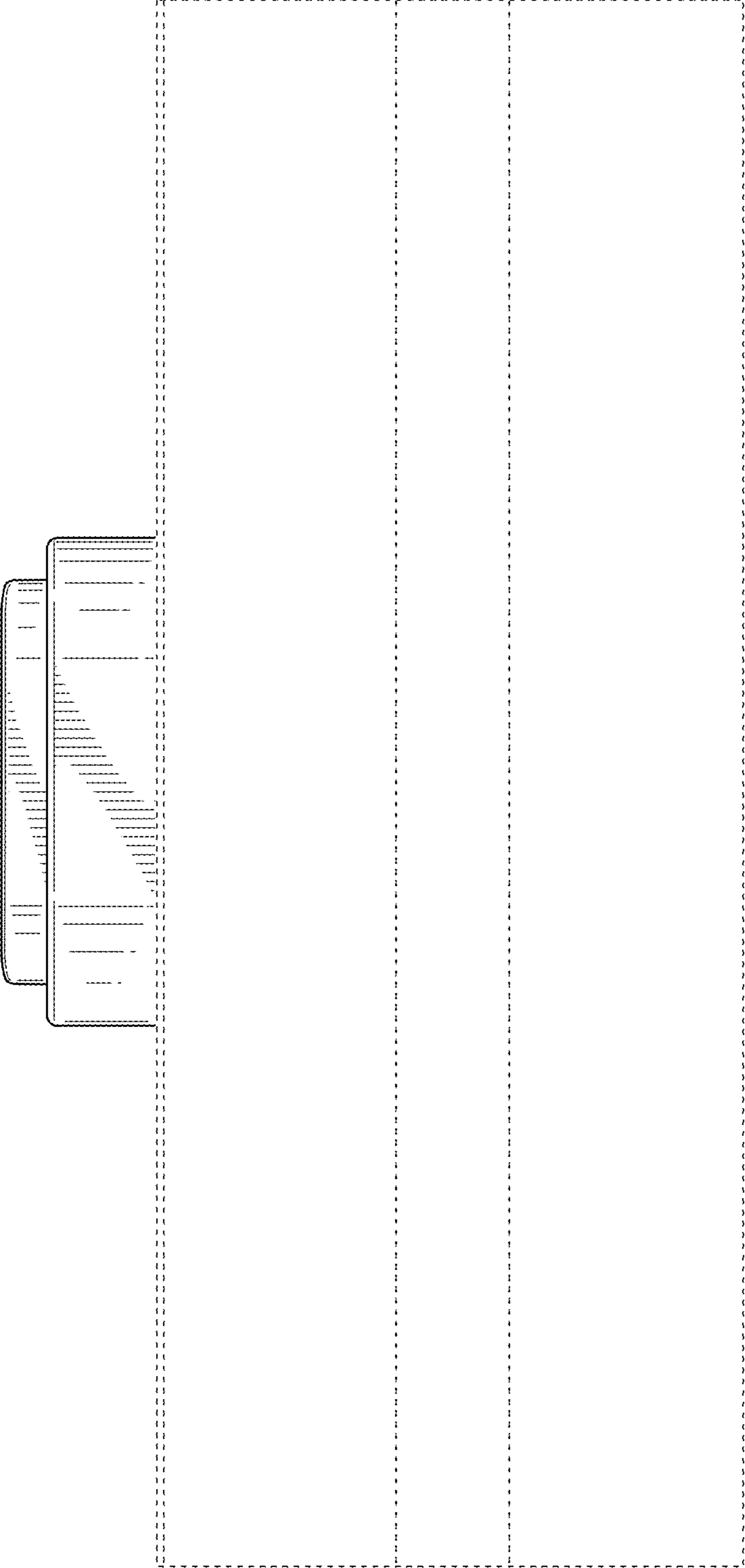


FIG. 4

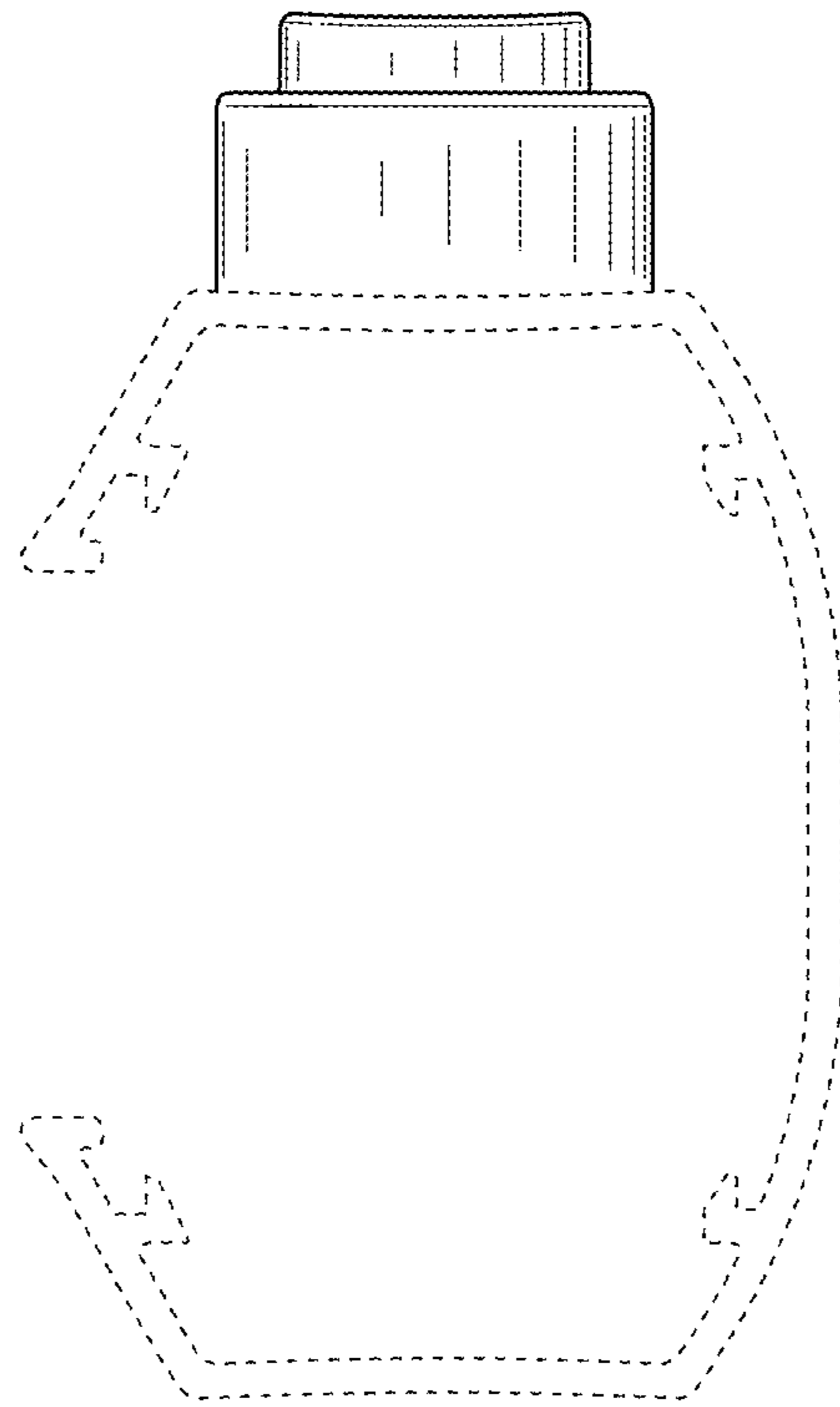


FIG. 5