

US00D829467S

(12) **United States Design Patent** (10) **Patent No.:** **US D829,467 S**  
**Bouroullec et al.** (45) **Date of Patent:** **\*\* Oct. 2, 2018**

(54) **ROLLER BLIND**  
(71) Applicant: **KVADRAT A/S**, Ebeltoft (DK)  
(72) Inventors: **Erwan Bouroullec**, Paris (FR); **Ronan Bouroullec**, Paris (FR)  
(73) Assignee: **KVADRAT A/S**, Ebeltoft (DK)  
(\*\*) Term: **15 Years**  
(21) Appl. No.: **29/565,656**  
(22) Filed: **May 23, 2016**

(30) **Foreign Application Priority Data**  
Nov. 24, 2015 (EP) ..... 001442560  
(51) **LOC (11) Cl.** ..... **06-10**  
(52) **U.S. Cl.**  
USPC ..... **D6/575**  
(58) **Field of Classification Search**  
USPC ..... D6/575-581; D8/354, 377; D25/55, D25/121, 122, 123  
CPC ... A47H 1/04; A47H 1/06; A47H 1/10; A47H 1/13; A47H 1/14; A47H 11/02; A47H 23/00; A47H 23/01; A47H 5/02; B60J 1/2013; E06B 2009/2622; E06B 2009/2627; E06B 2009/425; E06B 2009/583; E06B 9/26; E06B 9/262; E06B 9/30; E06B 9/306; E06B 9/32; E06B 9/323; E06B 9/324; E06B 9/326; E06B 9/367; E06B 9/386; E06B 9/388; E06B 9/40; E06B 9/42; E06B 9/44; E06B 9/46; E06B 9/48; E06B 9/56; E06B 9/78  
See application file for complete search history.

(56) **References Cited**  
U.S. PATENT DOCUMENTS  
D329,294 S \* 9/1992 DuBeau ..... D25/48.4  
5,853,040 A \* 12/1998 Benthin ..... E06B 9/42  
160/291

D412,635 S \* 8/1999 Eiling ..... D6/575  
D487,662 S \* 3/2004 Ward ..... D6/580  
D686,434 S \* 7/2013 Marocco ..... D6/575  
D753,933 S \* 4/2016 Ng ..... D6/580  
D767,976 S \* 10/2016 Marocco ..... D8/363  
9,765,566 B1 \* 9/2017 Chen ..... E06B 9/42  
2005/0045279 A1 \* 3/2005 Zhang ..... E06B 9/264  
160/84.05  
2005/0252614 A1 \* 11/2005 Drew ..... E06B 9/42  
160/23.1  
2007/0144682 A1 \* 6/2007 Drew ..... E06B 9/323  
160/23.1  
2007/0251652 A1 \* 11/2007 Anthony ..... E06B 9/40  
160/84.04

(Continued)

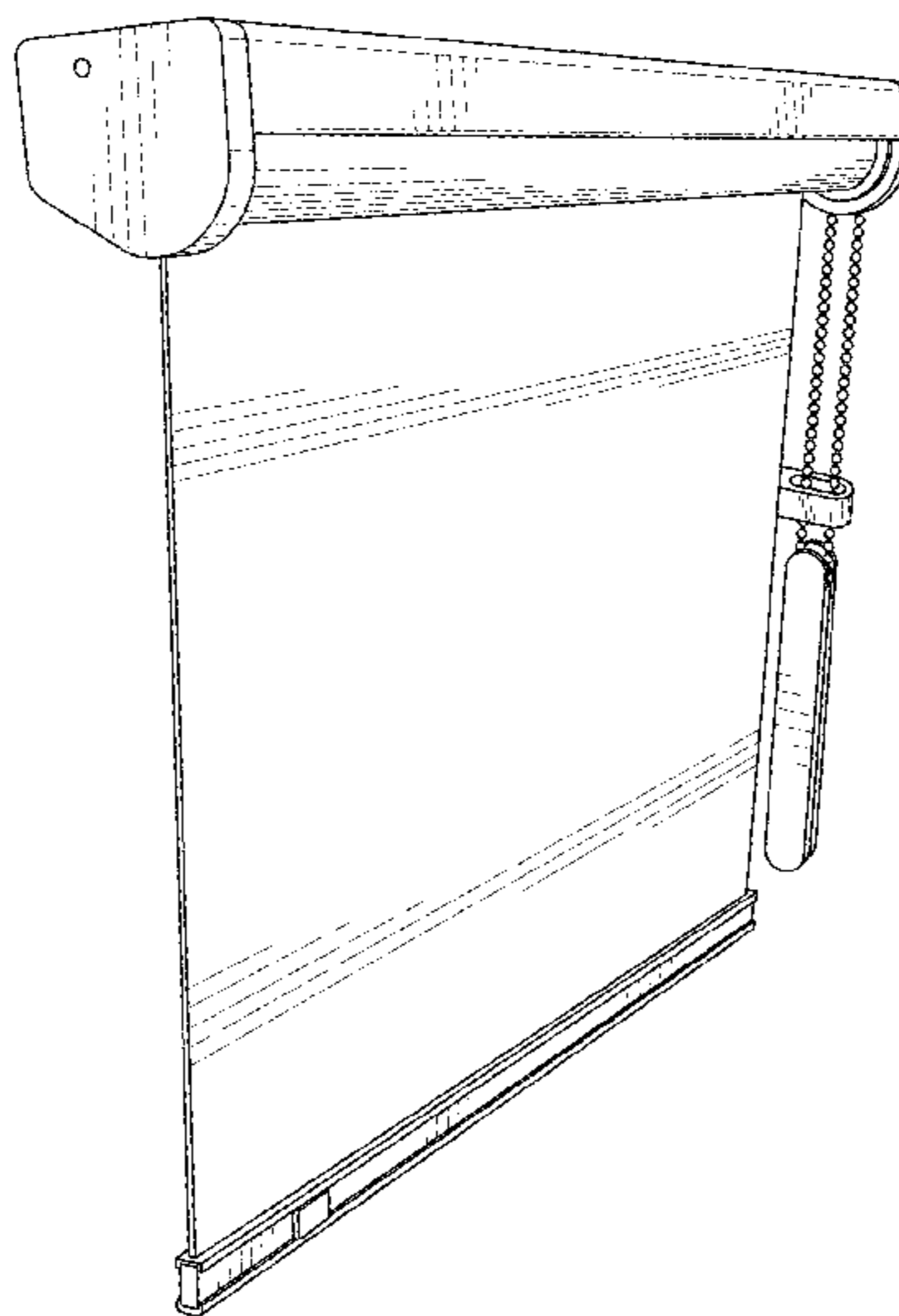
*Primary Examiner* — Shannon Weekley Morgan  
*Assistant Examiner* — Clare A Gannon  
(74) *Attorney, Agent, or Firm* — Klein, O'Neill & Singh, LLP

(57) **CLAIM**  
The ornamental design for a roller blind, as shown.

**DESCRIPTION**

FIG. 1 is a perspective view, taken from the front and left side, of a roller blind, in accordance with our new design; FIG. 2 is a front elevation view of the roller blind shown in FIG. 1; FIG. 3 is a rear elevation view of the roller blind shown in FIG. 1; FIG. 4 is a side elevation view of the roller blind shown in FIG. 1, taken from the left side of FIG. 1; FIG. 5 is a side elevation view of the roller blind shown in FIG. 1, taken from the right side of FIG. 1; FIG. 6 is a top plan view of the roller blind shown in FIG. 1; and, FIG. 7 is a bottom plan view of the roller blind shown in FIG. 1.

**1 Claim, 5 Drawing Sheets**



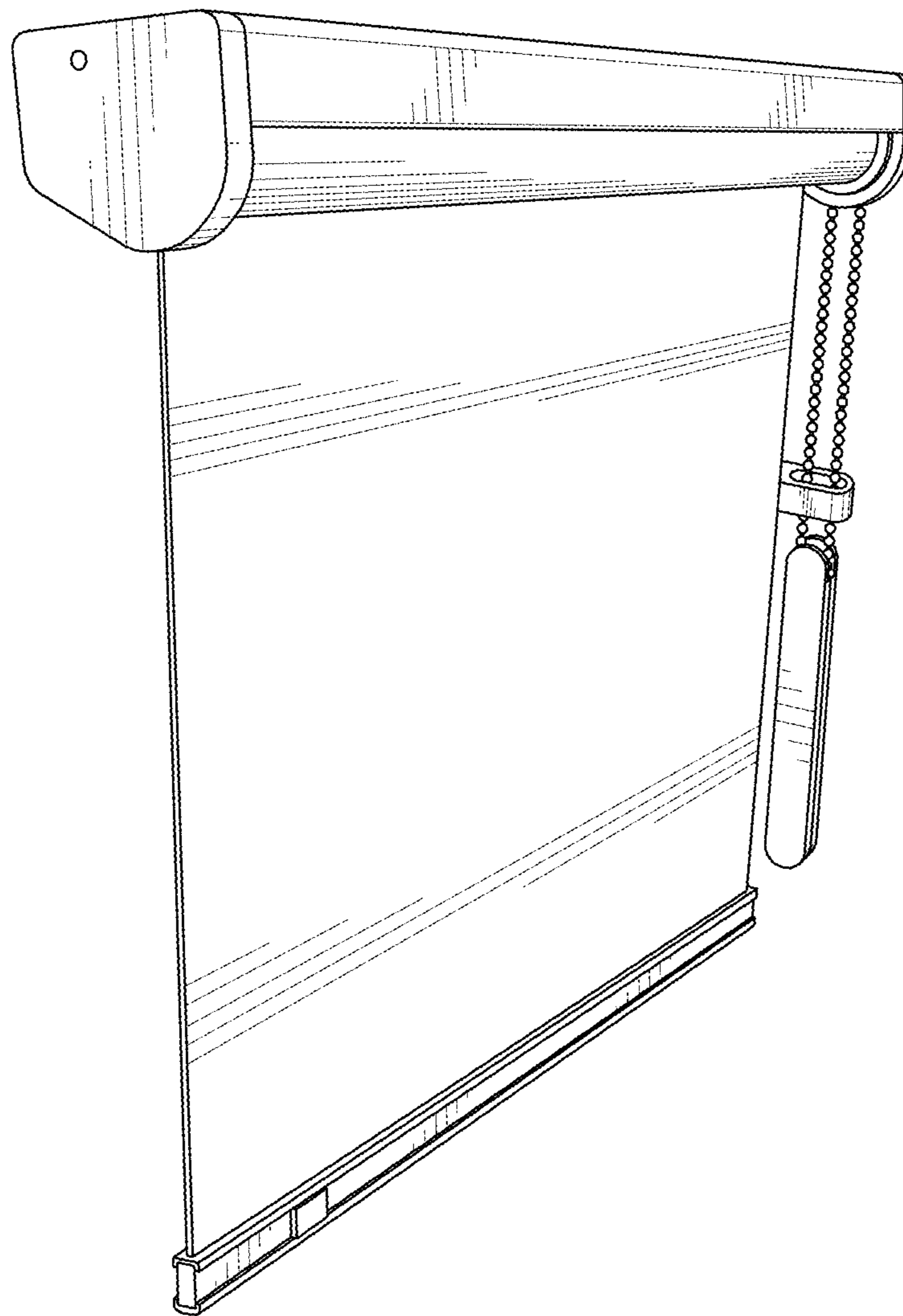
(56)

**References Cited**

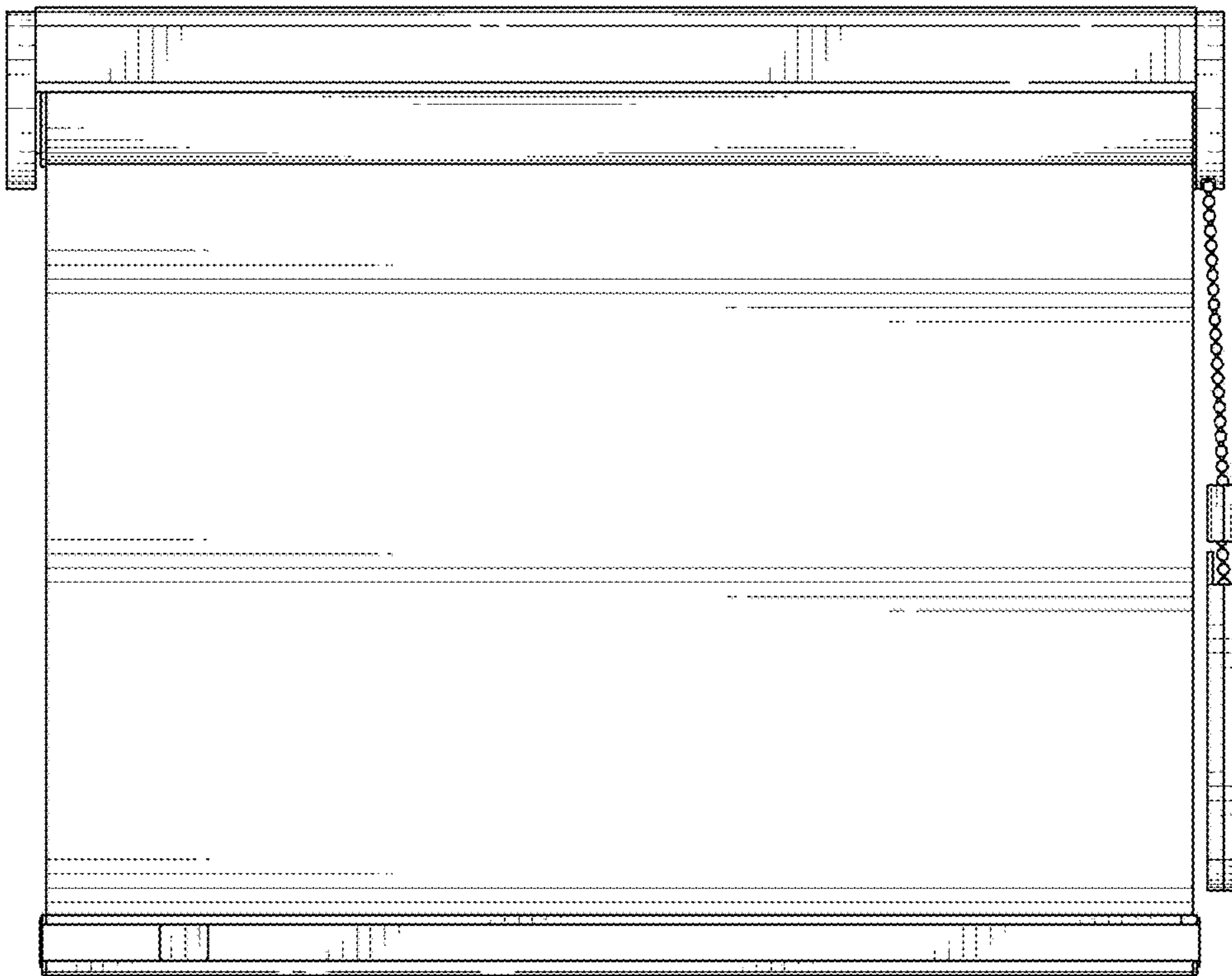
U.S. PATENT DOCUMENTS

2008/0149280 A1\* 6/2008 Smith ..... E06B 9/262  
160/121.1  
2011/0186246 A1\* 8/2011 Lin ..... E06B 9/56  
160/309  
2012/0097344 A1\* 4/2012 Gaskill ..... E06B 9/36  
160/168.1 V  
2012/0211180 A1\* 8/2012 Lin ..... E06B 9/326  
160/368.1  
2012/0291964 A1\* 11/2012 Marocco ..... E06B 9/262  
160/120  
2013/0306250 A1\* 11/2013 Mullet ..... E06B 9/40  
160/120  
2014/0166218 A1\* 6/2014 Ng ..... E06B 9/42  
160/120  
2014/0284003 A1\* 9/2014 Cha ..... E06B 9/384  
160/84.04  
2015/0233179 A1\* 8/2015 Huang ..... E06B 9/40  
160/309  
2015/0247362 A1\* 9/2015 Kirby ..... E06B 9/44  
160/310  
2015/0354275 A1\* 12/2015 Huang ..... E06B 9/78  
160/368.1  
2015/0376941 A1\* 12/2015 Fujita ..... E06B 9/26  
160/241  
2017/0130524 A1\* 5/2017 Buccola, Jr. .... E06B 9/264

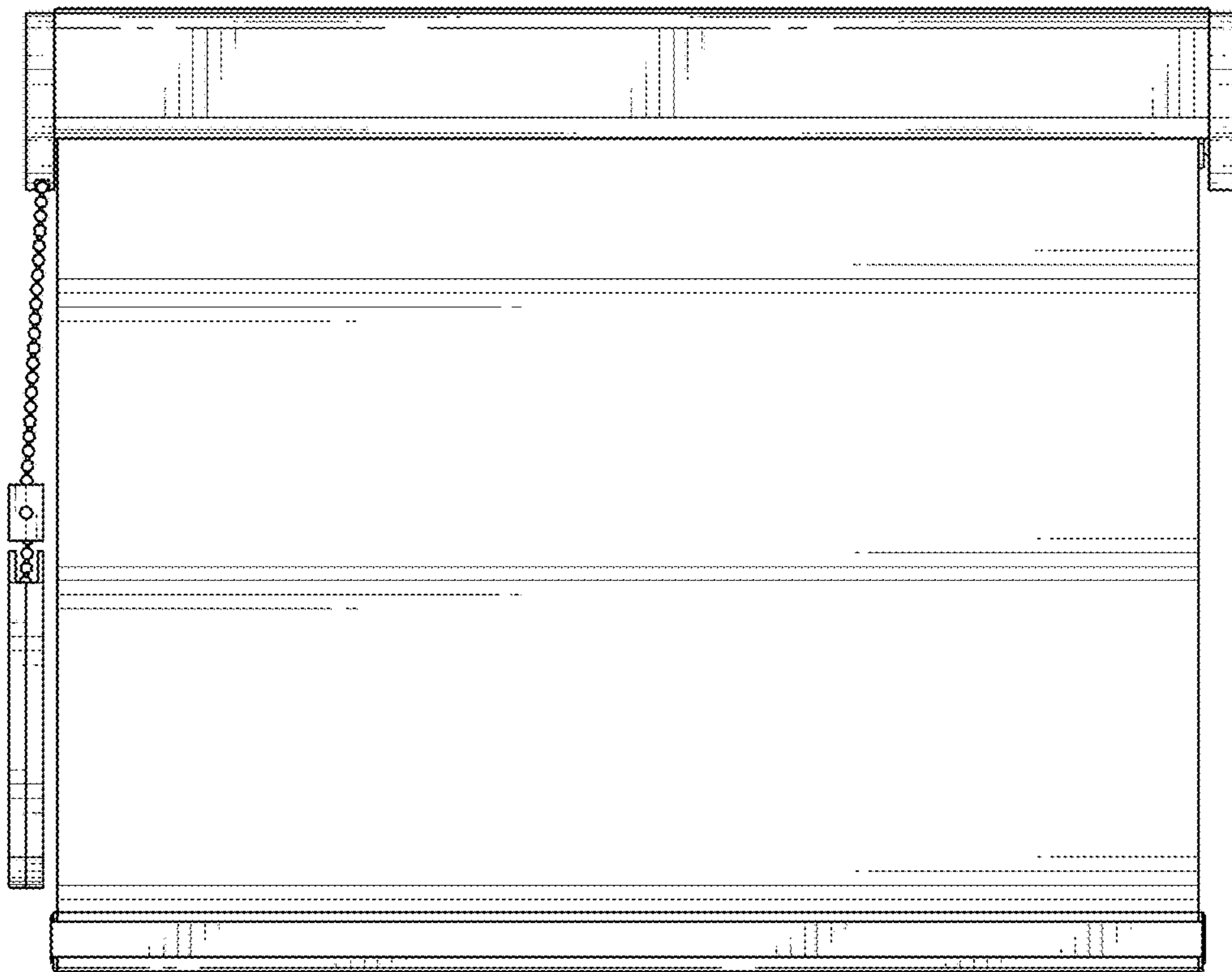
\* cited by examiner



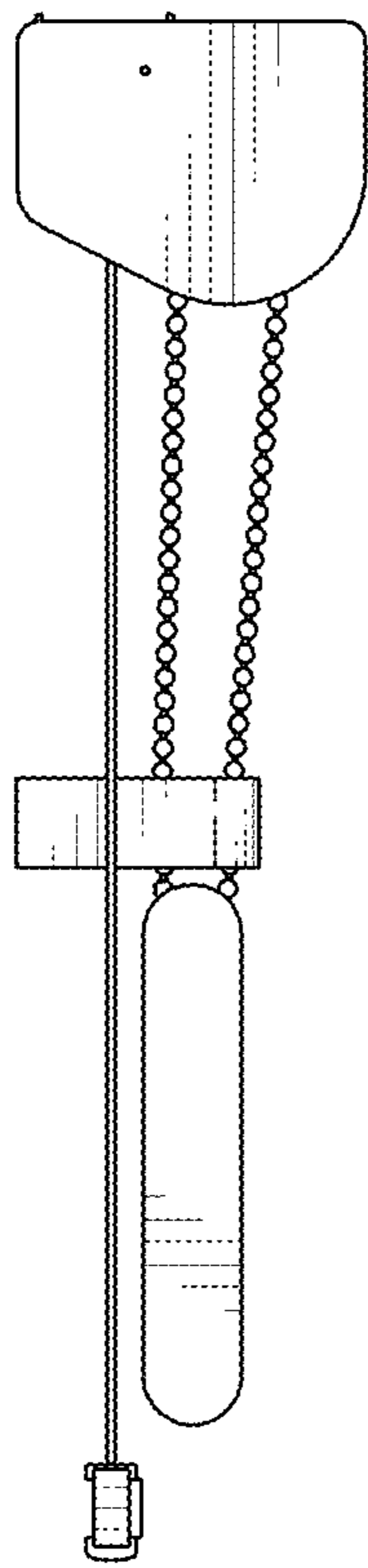
**FIG. 1**



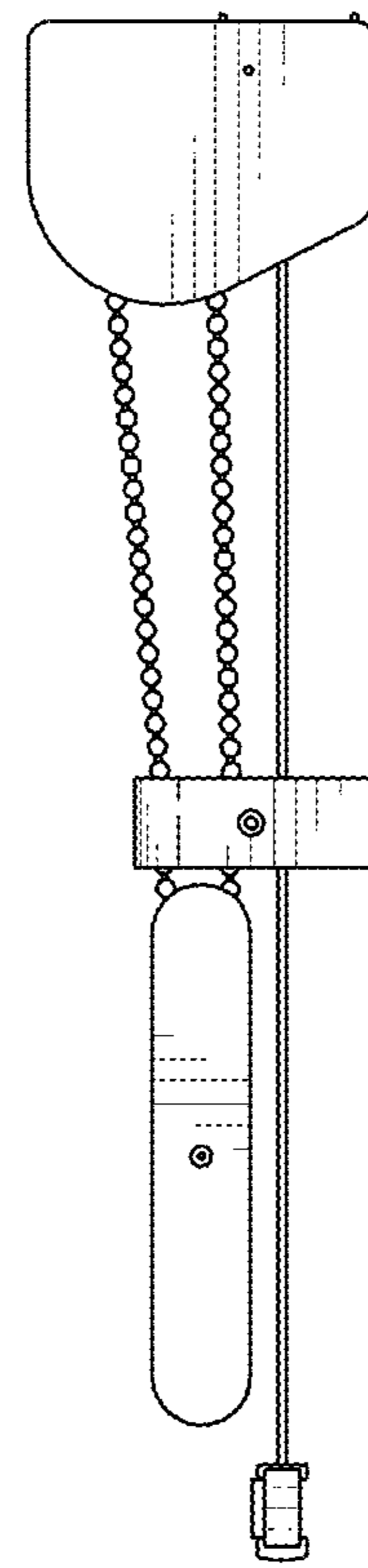
**FIG. 2**



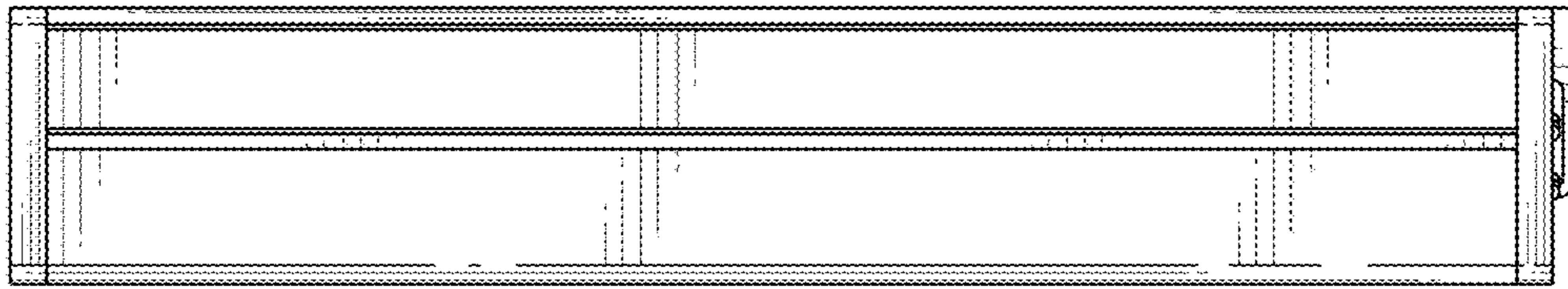
**FIG. 3**



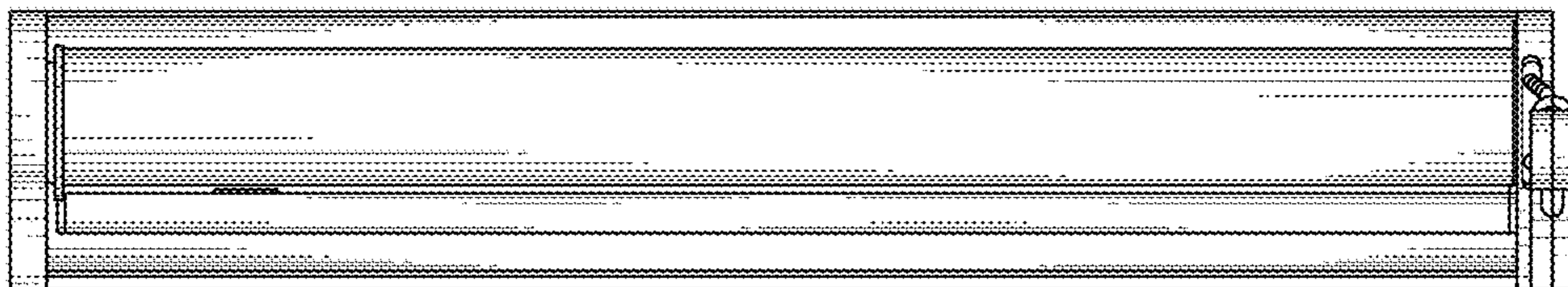
**FIG. 4**



**FIG. 5**



**FIG. 6**



**FIG. 7**