



US00D829466S

(12) **United States Design Patent** (10) **Patent No.:** **US D829,466 S**  
**Goodman et al.** (45) **Date of Patent:** **\*\* Oct. 2, 2018**

(54) **HOLDER**  
 (71) Applicant: **SPECTRUM DIVERSIFIED DESIGNS, LLC**, Streetsboro, OH (US)  
 (72) Inventors: **Aaron Goodman**, Beachwood, OH (US); **Courtney Wilson**, Chardon, OH (US)  
 (73) Assignee: **Spectrum Diversified Designs, LLC**, Streetsboro, OH (US)  
 (\*\*) Term: **15 Years**

D579,700 S \* 11/2008 Ghiorghie ..... D6/513  
 D584,056 S \* 1/2009 Ghiorghie ..... D3/304  
 D588,814 S \* 3/2009 Ghiorghie ..... D3/304  
 D588,815 S \* 3/2009 Ghiorghie ..... D3/304  
 D616,680 S \* 6/2010 Snider ..... D6/513  
 D617,126 S \* 6/2010 Snider ..... D6/513  
 D628,385 S \* 12/2010 Klein ..... D6/513  
 D650,209 S \* 12/2011 Snider ..... D6/513  
 D693,577 S \* 11/2013 Goodman ..... D3/306  
 D718,054 S \* 11/2014 Goodman ..... D3/306  
 D720,538 S \* 1/2015 Goodman ..... D3/304  
 D751,766 S \* 3/2016 Goodman ..... D28/38  
 D757,457 S \* 5/2016 Guindi ..... D6/513  
 D762,421 S \* 8/2016 Goodman ..... D6/566

(Continued)

(21) Appl. No.: **29/616,050**  
 (22) Filed: **Sep. 1, 2017**  
 (51) **LOC (11) Cl.** ..... **07-02**  
 (52) **U.S. Cl.**  
 USPC ..... **D6/566**; D3/306; D7/601  
 (58) **Field of Classification Search**  
 USPC ..... D6/566–567, 572–574, 540, 672–673, D6/678, 678.4, 511; D3/304–307, D3/314–315; D7/505, 601, 602, 704; 206/509, 512–513, 557, 821; 211/41.3, 211/41.4, 86.01, 88.01; 220/491–494  
 CPC ..... A47B 23/00; A47B 41/06; A47D 15/00; A45D 19/04; A47F 5/14; A47G 19/08; A47G 23/02; A47J 47/16  
 See application file for complete search history.

(56) **References Cited**

**U.S. PATENT DOCUMENTS**

4,040,522 A \* 8/1977 Vickery ..... A47G 29/08  
 211/126.1  
 D438,042 S \* 2/2001 Hofman ..... D3/306  
 D449,481 S \* 10/2001 Snell ..... D6/566  
 D472,750 S \* 4/2003 Clucas ..... D6/525  
 D508,167 S \* 8/2005 Anderson ..... D3/306  
 D554,417 S \* 11/2007 Thorsteinsson ..... D6/566  
 D554,419 S \* 11/2007 Thompson ..... D6/566  
 D574,647 S \* 8/2008 Snider ..... D6/513

**OTHER PUBLICATIONS**

Spectrumdiversified.com, Scroll Over the Cabinet Cutting Board & Bakeware Holder, May 21, 2018, <https://www.spectrumdiversified.com/products/scroll-over-the-cabinet-cutting-board-bakeware-holder>.\*

*Primary Examiner* — David Muller  
*Assistant Examiner* — Nathan Johnston  
 (74) *Attorney, Agent, or Firm* — Tucker Ellis LLP

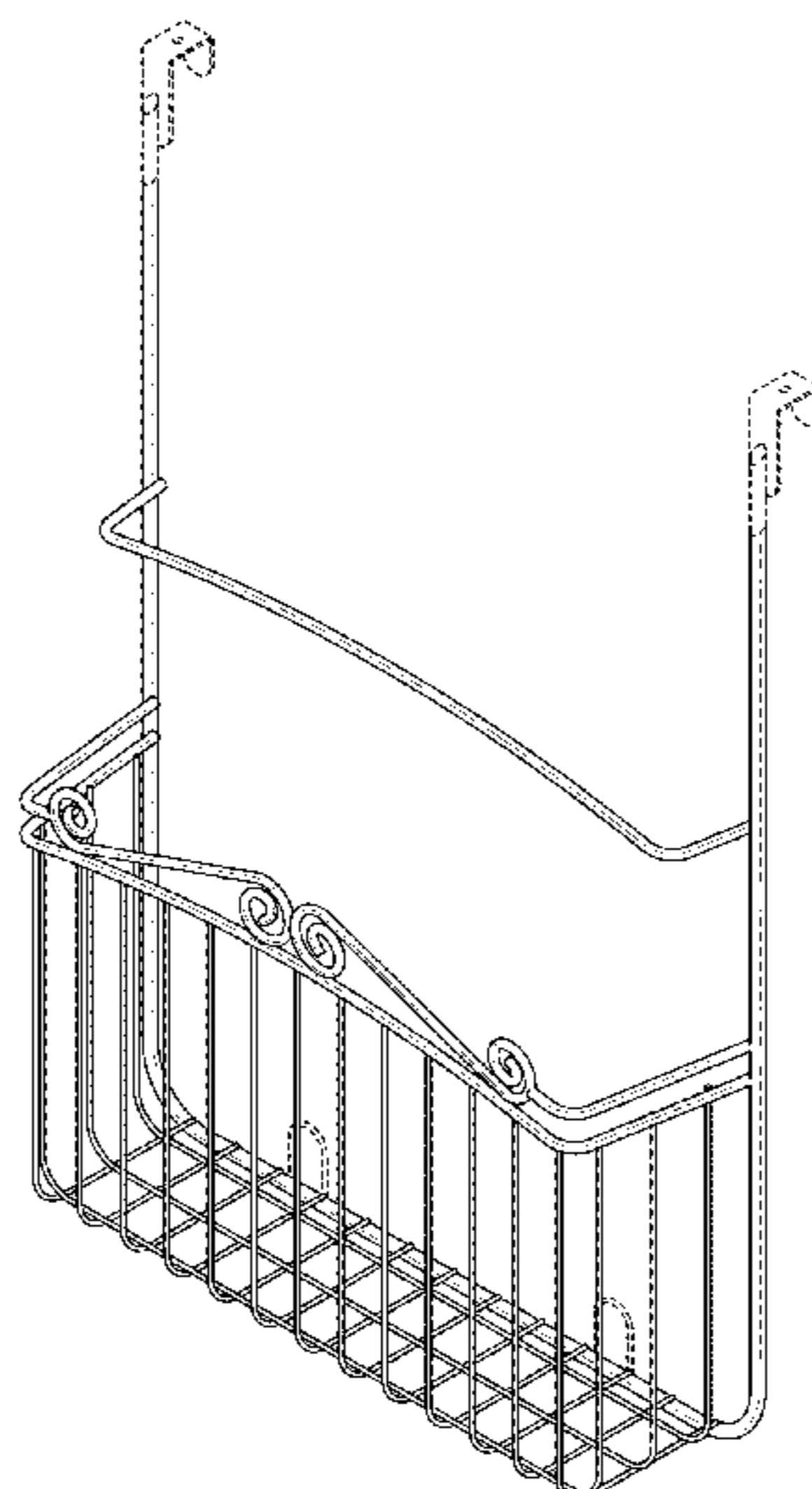
(57) **CLAIM**

The ornamental design for a holder, as shown and described.

**DESCRIPTION**

FIG. 1 is a perspective view of a holder showing our new design.  
 FIG. 2 is a front elevation view thereof.  
 FIG. 3 is a rear elevation view thereof.  
 FIG. 4 is a right side elevation view thereof.  
 FIG. 5 is a left side elevation view thereof.  
 FIG. 6 is a top plan view thereof; and,  
 FIG. 7 is a bottom plan view thereof.  
 The broken lines show portions of the design that form no part of the claimed design.

**1 Claim, 4 Drawing Sheets**



(56)

**References Cited**

U.S. PATENT DOCUMENTS

D764,171 S	*	8/2016	Goodman	.....	D3/306
D770,801 S	*	11/2016	Goodman	.....	D6/549
D774,842 S		12/2016	Goodman et al.		
D808,742 S	*	1/2018	Lee	.....	D7/637
D811,121 S	*	2/2018	Goodman	.....	D6/549

\* cited by examiner

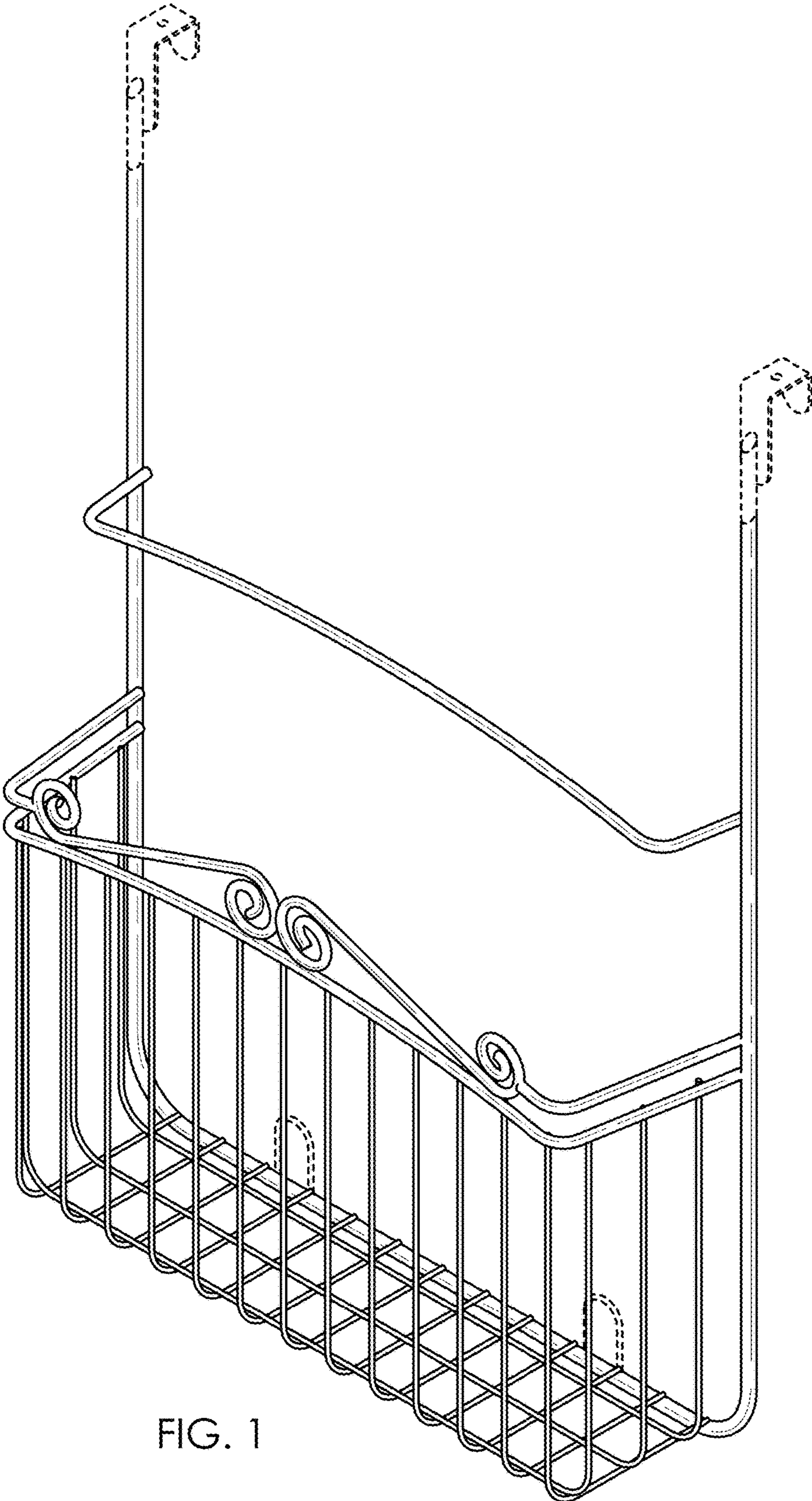


FIG. 1

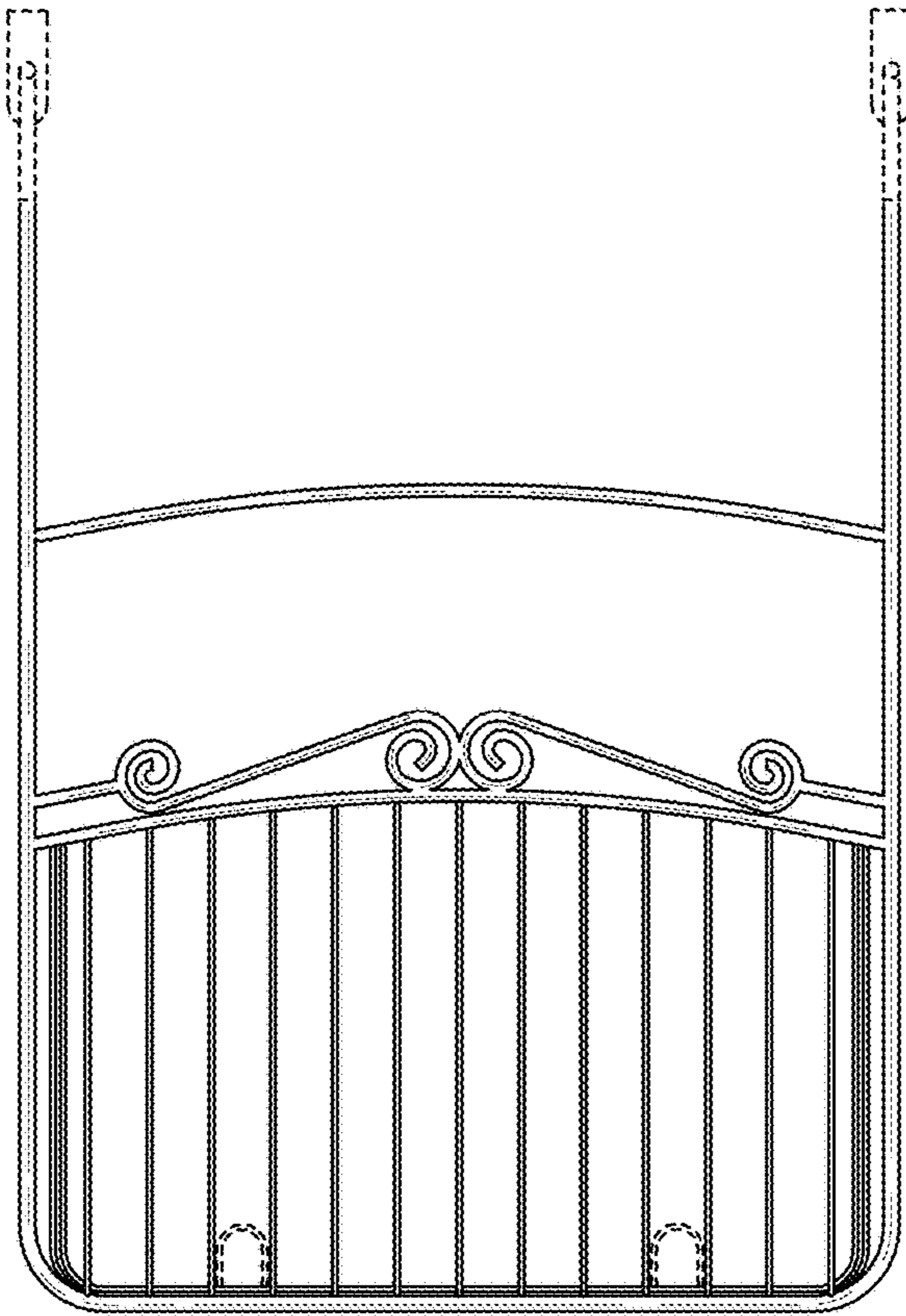


FIG. 2

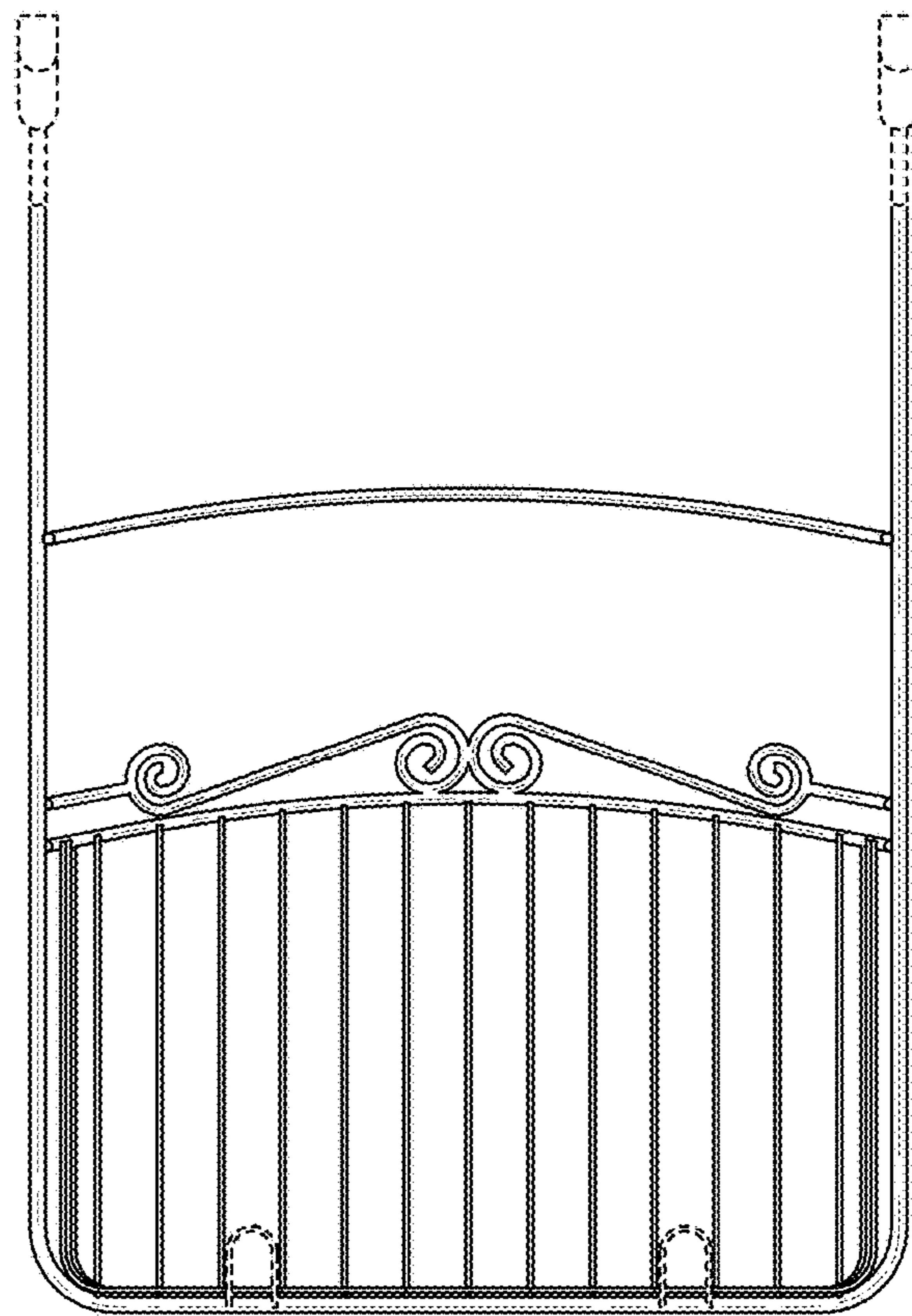


FIG. 3

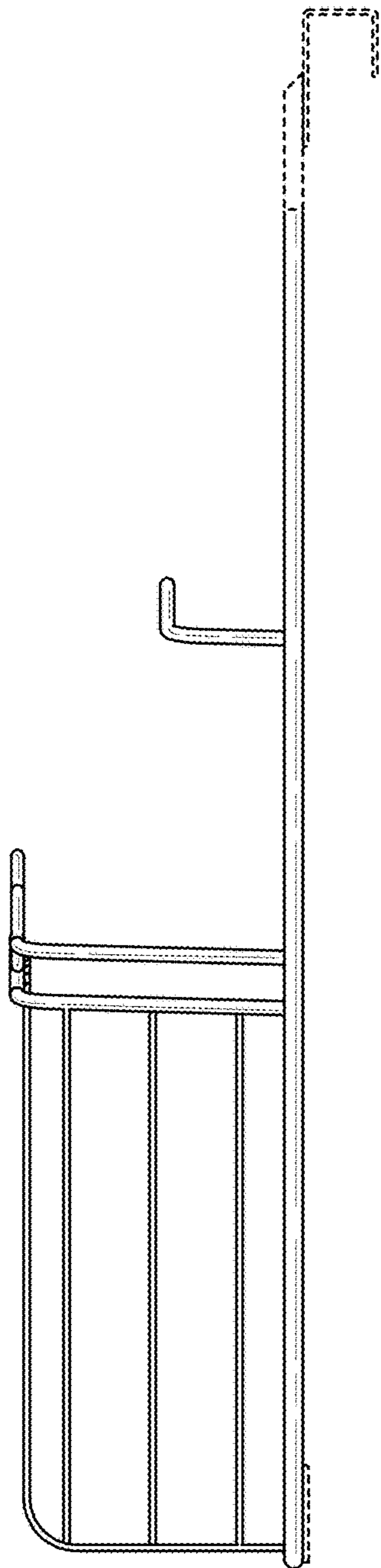


FIG. 4

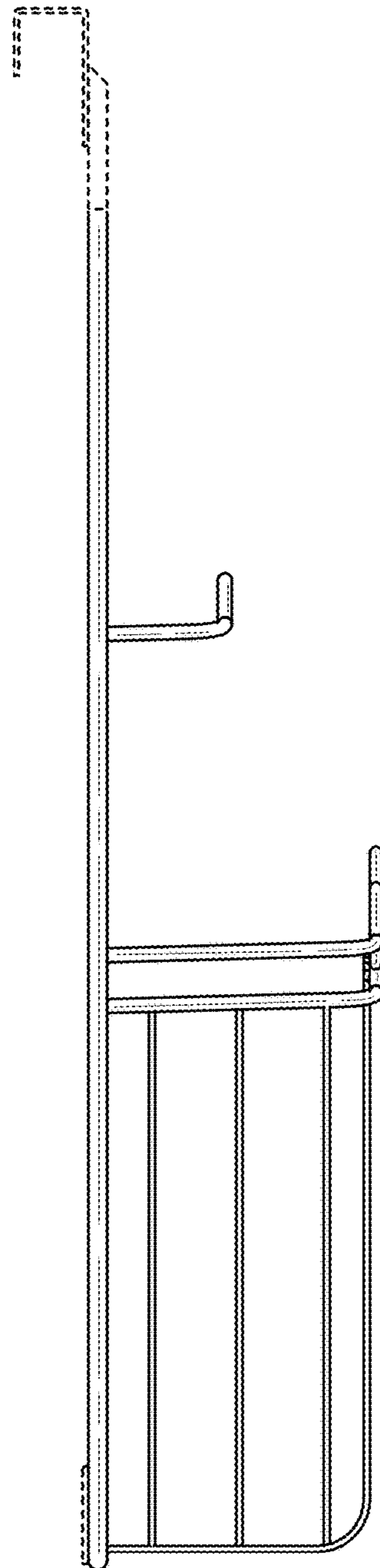


FIG. 5

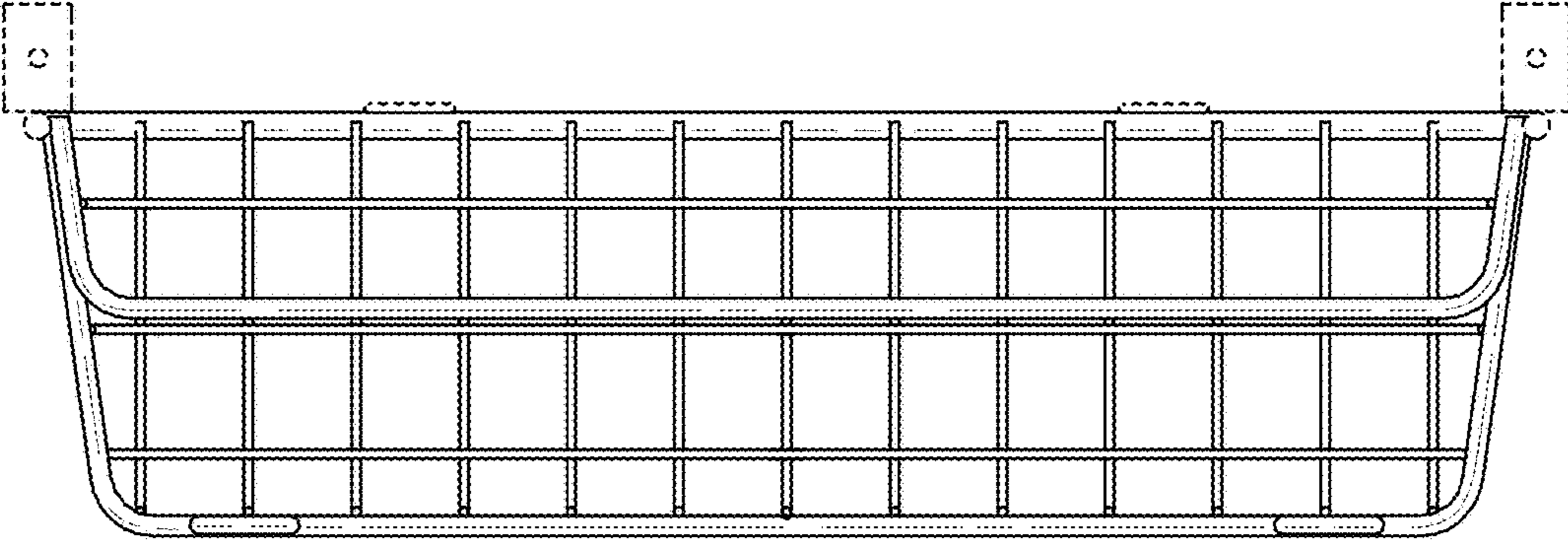


FIG. 6

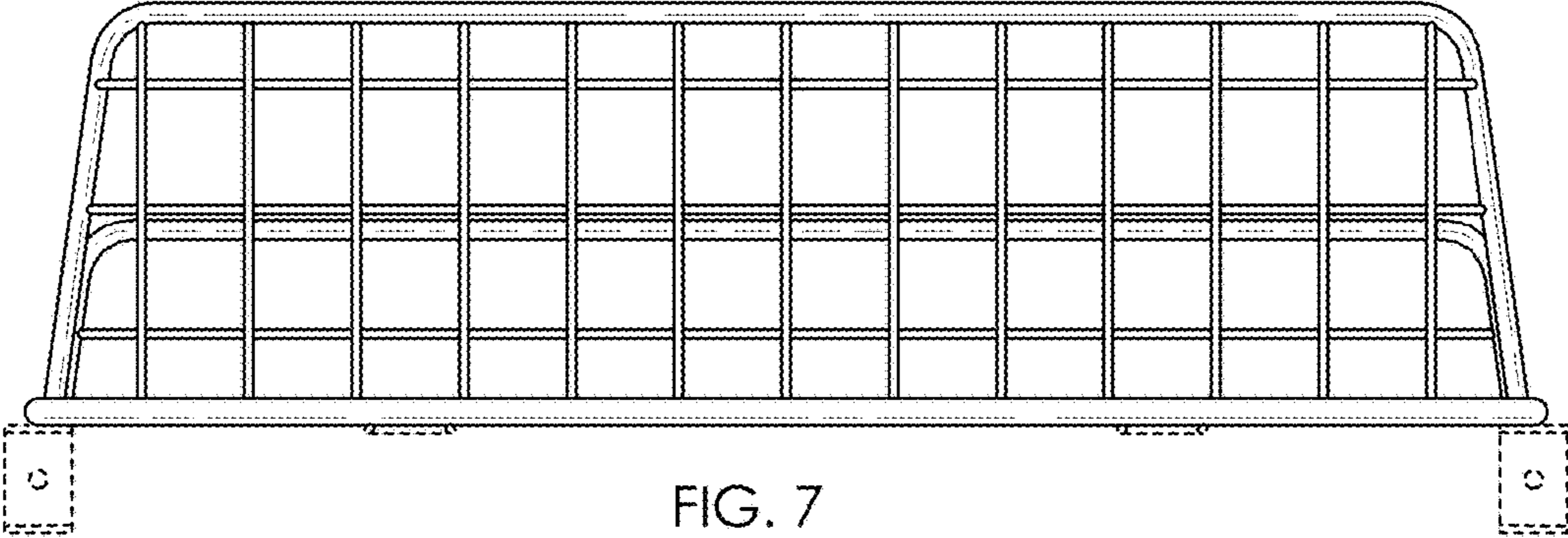


FIG. 7