



US00D829465S

(12) **United States Design Patent** (10) **Patent No.:** **US D829,465 S**  
**Yang et al.** (45) **Date of Patent:** **\*\* Oct. 2, 2018**

(54) **LIQUID DISPENSER CARTRIDGE**

2,697,446 A 12/1954 Harrington  
2,772,817 A 12/1956 Jauch  
3,023,922 A 3/1962 Arrington et al.  
3,149,754 A 9/1964 Kogan et al.  
3,220,954 A 11/1965 Malbe

(71) Applicant: **simplehuman, LLC**, Torrance, CA (US)

(Continued)

(72) Inventors: **Frank Yang**, Rancho Palos Verdes, CA (US); **Kenneth Yen**, Redondo Beach, CA (US); **Myk Lum**, Irvine, CA (US); **Adam Wade**, Rancho Santa Margarita, CA (US)

FOREIGN PATENT DOCUMENTS

AU 364945 10/2015  
AU 201613950 9/2016

(Continued)

(73) Assignee: **simplehuman, LLC**, Torrance, CA (US)

OTHER PUBLICATIONS

(\*\*) Term: **15 Years**

U.S. Appl. No. 29/552,697, filed Jan. 25, 2016, Yang et al.

(Continued)

(21) Appl. No.: **29/587,080**

(22) Filed: **Dec. 9, 2016**

*Primary Examiner* — John Windmuller

*Assistant Examiner* — Steven J Czyz

(74) *Attorney, Agent, or Firm* — Knobbe, Martens, Olson & Bear, LLP

**Related U.S. Application Data**

(63) Continuation of application No. 29/519,741, filed on Mar. 6, 2015, now Pat. No. Des. 773,848.

(51) **LOC (11) Cl.** ..... **23-02**

(52) **U.S. Cl.**  
USPC ..... **D6/542**

(58) **Field of Classification Search**

USPC ..... D6/512, 524, 542, 543, 544, 545;  
D9/695, 697, 729, 730, 520, 521  
CPC ..... A47F 1/085; A47G 19/24; A47G 21/12;  
A47K 5/1217; A47K 5/02; B65D 5/32;  
B65D 23/003; B65D 55/026; B65D  
81/365; B65D 83/267; B65D 83/40

See application file for complete search history.

(57)

**CLAIM**

The ornamental design for a liquid dispenser cartridge, as shown and described.

**DESCRIPTION**

FIG. 1 is a top, front, left-side perspective view of a liquid dispenser cartridge embodying our design;

FIG. 2 is a bottom, rear, right-side perspective view thereof;

FIG. 3 is a left-side elevation view thereof, the right-side elevation view being a mirror image of the right-side elevation view;

FIG. 4 is a front elevation view thereof, the rear elevation view being a mirror image of the front elevation view;

FIG. 5 is a top plan view thereof; and,

FIG. 6 is a bottom plan view thereof.

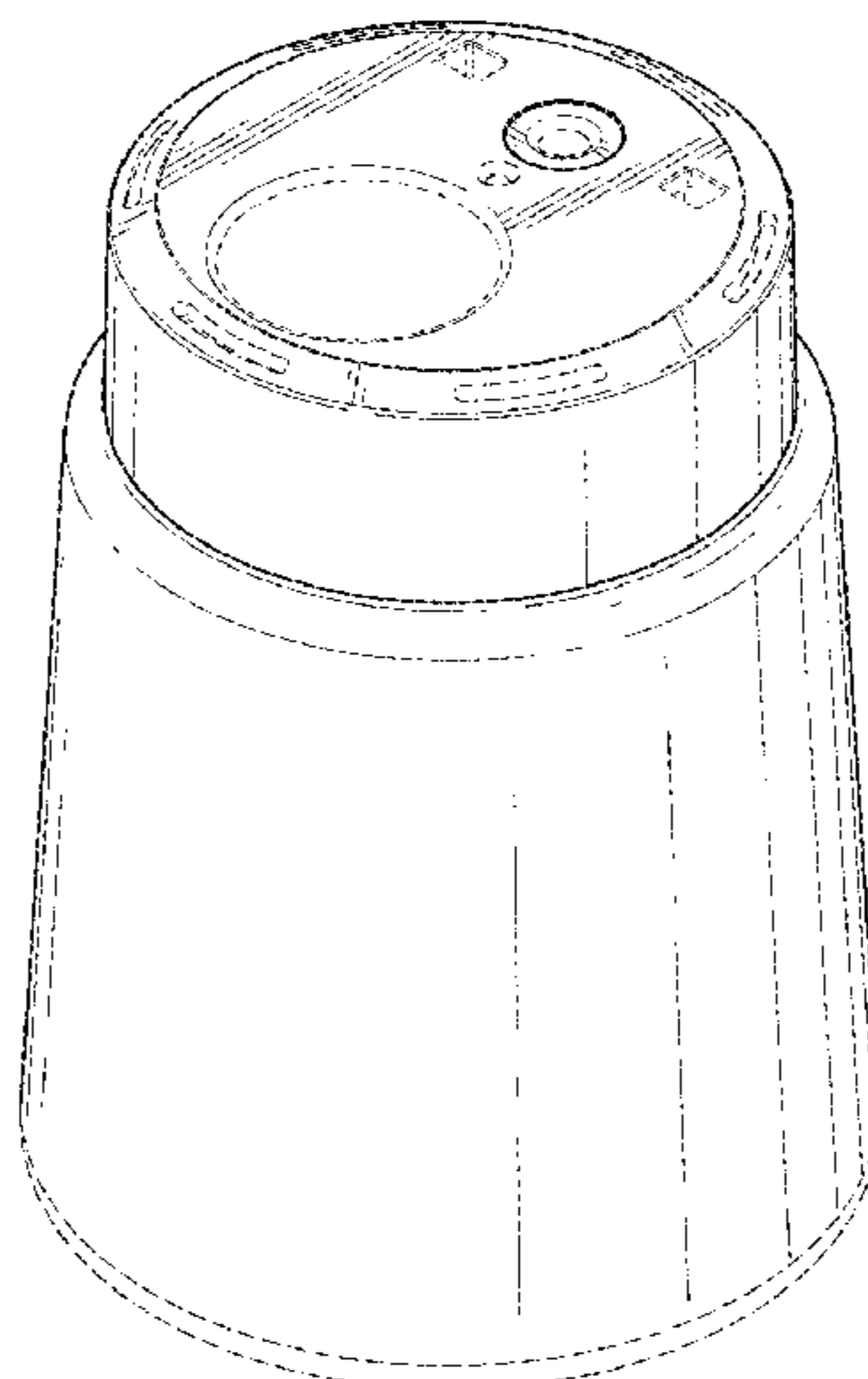
All features in broken lines form no part of the claimed subject matter.

(56) **References Cited**

U.S. PATENT DOCUMENTS

2,017,867 A 10/1935 Nantz  
2,106,043 A 1/1938 Urquhart et al.  
2,651,545 A 9/1953 Shotton

**1 Claim, 3 Drawing Sheets**



(56)

References Cited

U.S. PATENT DOCUMENTS

3,631,736 A	1/1972	Saari	6,971,549 B2	12/2005	Leifheit et al.
3,701,482 A	10/1972	Sachnik	7,008,073 B2	3/2006	Stuhlmacher
4,046,289 A	9/1977	Teranishi	D530,954 S	10/2006	Snell
4,056,050 A	11/1977	Brown	D531,440 S	11/2006	Lo
4,113,147 A	9/1978	Frazier et al.	D531,441 S	11/2006	Soriano
4,217,993 A	8/1980	Jess et al.	D531,845 S	11/2006	Christianson
4,457,455 A	7/1984	Meshberg	D534,753 S	1/2007	Christianson
4,498,843 A	2/1985	Schneider et al.	7,178,746 B2	2/2007	Gross
4,524,805 A	6/1985	Hoffman	7,213,593 B2	5/2007	Hochrainer
4,693,854 A	9/1987	Yau	D554,412 S	11/2007	Yang et al.
4,722,372 A	2/1988	Hoffman et al.	7,296,765 B2	11/2007	Rodrian
4,915,347 A	4/1990	Iqbal et al.	D560,942 S	2/2008	Hanna
4,921,131 A	5/1990	Binderbauer et al.	D564,273 S	3/2008	Yang et al.
4,938,384 A	7/1990	Pilolla	7,337,635 B2	3/2008	Cerruti et al.
4,967,935 A	11/1990	Celest	D565,878 S	4/2008	Krus
5,028,328 A	7/1991	Long	7,354,015 B2	4/2008	Byrd et al.
5,082,150 A	1/1992	Steiner et al.	D581,193 S	11/2008	Ghiorghie
5,169,040 A	12/1992	Wiley	D582,187 S	12/2008	Yang et al.
5,186,360 A	2/1993	Mease et al.	7,479,000 B2	1/2009	Klassen
5,199,118 A	4/1993	Cale et al.	D593,784 S	6/2009	Chan
5,255,822 A	10/1993	Mease et al.	7,540,397 B2	6/2009	Muderlak et al.
5,271,528 A	12/1993	Chien	D604,544 S	11/2009	Daams
5,305,916 A	4/1994	Suzuki et al.	7,637,893 B2	12/2009	Christensen et al.
5,449,280 A	9/1995	Maki et al.	D608,578 S	1/2010	Yang et al.
5,466,131 A	11/1995	Altham et al.	D622,991 S	9/2010	MacDonald et al.
5,472,719 A	12/1995	Favre	D626,365 S	11/2010	Yang et al.
5,477,984 A	12/1995	Sayama et al.	D644,523 S *	9/2011	Howell ..... D9/520
5,509,578 A	4/1996	Livingstone	D644,529 S *	9/2011	Padain ..... D9/435
5,632,414 A	5/1997	Merriweather, Jr.	D644,530 S	9/2011	Padain et al.
5,771,925 A	6/1998	Lewandowski	D644,531 S *	9/2011	Padain ..... D9/435
5,823,390 A	10/1998	Muderlak et al.	8,087,543 B2	1/2012	Yang et al.
5,829,636 A	11/1998	Vuong et al.	8,096,445 B2	1/2012	Yang et al.
5,836,482 A	11/1998	Ophardt et al.	8,109,301 B1	2/2012	Denise
5,960,991 A	10/1999	Ophardt	8,109,411 B2	2/2012	Yang et al.
D416,154 S	11/1999	Diehl	8,152,027 B1	4/2012	Baker
5,988,451 A	11/1999	Hanna	D658,915 S *	5/2012	Fernandes ..... D6/542
6,021,705 A	2/2000	Dijs	D659,452 S	5/2012	Yang et al.
6,021,960 A	2/2000	Kehat	D659,454 S	5/2012	Fritz et al.
6,036,056 A	3/2000	Lee et al.	D660,061 S	5/2012	Fernandes et al.
6,048,183 A	4/2000	Meza	D661,531 S	6/2012	Tompkin
D426,093 S	6/2000	Cayouette	D661,933 S *	6/2012	Delgigante ..... D6/542
D426,413 S	6/2000	Kreitemier et al.	D663,983 S	7/2012	Yang et al.
6,126,290 A	10/2000	Veigel	D664,387 S *	7/2012	Kennedy ..... D6/542
D433,944 S *	11/2000	Bernard ..... D9/520	D672,177 S	12/2012	Zeng
D438,041 S	2/2001	Huang	D674,636 S	1/2013	Yang et al.
6,209,752 B1	4/2001	Mitchell et al.	8,360,285 B2 *	1/2013	Grbesic ..... A47G 19/183 222/181.3
RE37,173 E	5/2001	Jefferson, Jr. et al.	D676,116 S	2/2013	Judd
6,269,735 B1	8/2001	Rolfes	D682,589 S	5/2013	Cheng
6,279,460 B1	8/2001	Pope	D688,488 S	8/2013	Wang
6,279,777 B1	8/2001	Goodin et al.	D689,299 S	9/2013	Kassem Llano et al.
6,311,868 B1	11/2001	Krietemeier et al.	D690,129 S	9/2013	Clough et al.
6,325,604 B1	12/2001	Du	D690,130 S	9/2013	Clough et al.
6,375,038 B1	4/2002	Daansen et al.	D690,131 S	9/2013	Clough et al.
6,390,329 B1	5/2002	Maddox	D690,530 S	10/2013	Clough et al.
6,443,328 B1	9/2002	Fehl et al.	8,550,378 B2 *	10/2013	Mazooji ..... B05B 9/0861 222/181.1
6,444,956 B1	9/2002	Witcher et al.	D693,597 S	11/2013	Yang et al.
D471,047 S *	3/2003	Gordon ..... D6/545	D699,047 S	2/2014	Lissoni
6,557,584 B1	5/2003	Lucas et al.	D699,475 S	2/2014	Yang et al.
6,594,105 B1	7/2003	Brittner	D699,574 S *	2/2014	Cox ..... D9/500
D477,956 S	8/2003	Grisdale et al.	8,662,356 B2	3/2014	Padain et al.
6,619,938 B2	9/2003	Woodruff	8,678,244 B2	3/2014	Yang et al.
D483,974 S	12/2003	Reed	D706,549 S	6/2014	Cho
D484,573 S	12/2003	Haug et al.	D717,066 S	11/2014	Deacon
D486,335 S	2/2004	Sonneman	D721,279 S *	1/2015	Van Handel ..... D9/520
6,698,616 B2	3/2004	Hidle et al.	D727,653 S *	4/2015	Bjerre-Poulsen ..... D6/542
6,722,265 B2	4/2004	Priley	D731,203 S *	6/2015	Watson ..... D6/542
D490,262 S	5/2004	Graves et al.	D731,204 S *	6/2015	Watson ..... D6/542
6,748,850 B1	6/2004	Kraan	D732,308 S	6/2015	Enga et al.
6,777,007 B2	8/2004	Cal	D746,136 S	12/2015	Liu
6,805,042 B2	10/2004	Mordini et al.	9,265,383 B2	2/2016	Yang et al.
6,824,369 B2	11/2004	Raymond	D770,798 S	11/2016	Yang et al.
D499,295 S	12/2004	Grisdale et al.	D773,847 S	12/2016	Judd
6,832,542 B2	12/2004	Hu et al.	D773,848 S *	12/2016	Yang ..... D6/542
6,892,899 B2	5/2005	Minard et al.	D785,970 S	5/2017	Yang et al.
6,929,150 B2	8/2005	Muderlak et al.	D786,579 S *	5/2017	Beck ..... D6/542
			9,763,546 B2	9/2017	Yang et al.
			2002/0179643 A1	12/2002	Knight et al.



(56)

References Cited

FOREIGN PATENT DOCUMENTS

U.S. PATENT DOCUMENTS

2002/0185002 A1 12/2002 Herrmann  
 2004/0032749 A1 2/2004 Schindler et al.  
 2004/0050875 A1 3/2004 Kobayashi  
 2004/0103792 A1 6/2004 Cirigliano et al.  
 2004/0134924 A1 7/2004 Hansen et al.  
 2004/0226962 A1\* 11/2004 Mazursky ..... A47K 5/1217  
 222/95  
 2005/0006407 A1\* 1/2005 Lawson ..... B41J 2/17523  
 222/153.13  
 2005/0139612 A1 6/2005 Matthews et al.  
 2006/0067546 A1 3/2006 Lewis et al.  
 2006/0173576 A1 8/2006 Goerg et al.  
 2006/0243740 A1 11/2006 Reynolds et al.  
 2007/0000941 A1\* 1/2007 Hadden ..... A47K 5/1217  
 222/52  
 2007/0138208 A1\* 6/2007 Scholz ..... A47K 5/1204  
 222/179  
 2007/0158359 A1 7/2007 Rodrian  
 2007/0274853 A1 11/2007 Merendeiro et al.  
 2008/0277411 A1 11/2008 Beland et al.  
 2008/0277421 A1\* 11/2008 Zlatic ..... A47K 5/16  
 222/136  
 2008/0283556 A1\* 11/2008 Snodgrass ..... A47K 5/13  
 222/325  
 2009/0026225 A1\* 1/2009 Lickstein ..... A47K 5/1202  
 222/325  
 2009/0088836 A1 4/2009 Bishop et al.  
 2009/0140004 A1\* 6/2009 Scorgie ..... A47K 5/1217  
 222/52  
 2009/0184134 A1 7/2009 Ciavarella et al.  
 2009/0200340 A1 8/2009 Ophardt et al.  
 2010/0031982 A1 2/2010 Hornsby et al.  
 2010/0051642 A1 3/2010 Wong et al.  
 2010/0282772 A1 11/2010 Ionidis  
 2011/0017769 A1\* 1/2011 Ophardt ..... A47K 5/1217  
 222/1  
 2011/0114669 A1 5/2011 Yang et al.  
 2012/0138632 A1 6/2012 Li et al.  
 2012/0138637 A1 6/2012 Ciavarella et al.  
 2012/0285992 A1 11/2012 Ciavarella et al.  
 2013/0200109 A1 8/2013 Yang et al.  
 2013/0214011 A1\* 8/2013 Vandekerckhove .....  
 B67D 1/0042  
 222/505  
 2014/0103072 A1\* 4/2014 Pelfrey ..... A47K 5/1208  
 222/214  
 2015/0238053 A1 8/2015 Yang et al.  
 2015/0265106 A1\* 9/2015 Rospierski ..... F16K 23/00  
 222/129  
 2016/0256016 A1 9/2016 Yang et al.

CA 141847 4/2012  
 CA 144016 4/2012  
 CA 147357 4/2013  
 CA 152683 5/2014  
 CA 2677130 C 8/2015  
 CA 164020 4/2016  
 CA 164266 5/2016  
 CA 169670 3/2017  
 CN 302362836 S 3/2013  
 CN 303102706 S 2/2015  
 CN 303662896 S 5/2016  
 CN 304007050 S 1/2017  
 CN 104203058 B 7/2017  
 CN ZL201730168630.4 2/2018  
 EP 0455431 A1 11/1991  
 EP 2135538 A1 12/2009  
 EP 2322068 A2 5/2011  
 EP 001342687-0001 9/2012  
 EP 2546523 A2 1/2013  
 EP 001438402-0001 11/2015  
 EP 002764860-0001 11/2015  
 EP 3064114 9/2016  
 EP 003313204-0001 9/2016  
 EP 2811881 B1 11/2016  
 GB 6018576 11/2017  
 JP H07-23876 1/1995  
 JP D1117308 6/2001  
 JP D1266683 2/2006  
 JP D1553147 6/2016  
 KR 3002845520000 11/2001  
 WO WO 2008/095187 8/2008  
 WO WO 2008/103300 A2 8/2008  
 WO WO 2012/122056 9/2012  
 WO WO 2012/154642 A1 11/2012  
 WO WO 2013/119642 A1 8/2013  
 WO WO 2013/119874 A1 8/2013

OTHER PUBLICATIONS

Manring et al., "The Theoretical Flow Ripple of an External Gear Pump," Transactions of the ASME, vol. 125, Sep. 2003, pp. 396-404.  
 The Sharper Image Soap Genie SI335, Mar. 2006, in 8 pages.  
 Office Action in corresponding European Community Design Patent Application No. 002764860-0001, dated Sep. 7, 2015, in 4 pages.  
 U.S. Appl. No. 29/597,635, filed Mar. 17, 2017, Yang et al.  
 Simplehuman® Rechargeable Sensor Soap Dispenser, Item No. 201881, <https://www.sharperimage.com/si/view/product/Rechargeable-Sensor-Soap-Dispenser/201881?trail>, published on Sep. 3, 2013, in 3 pages.

\* cited by examiner

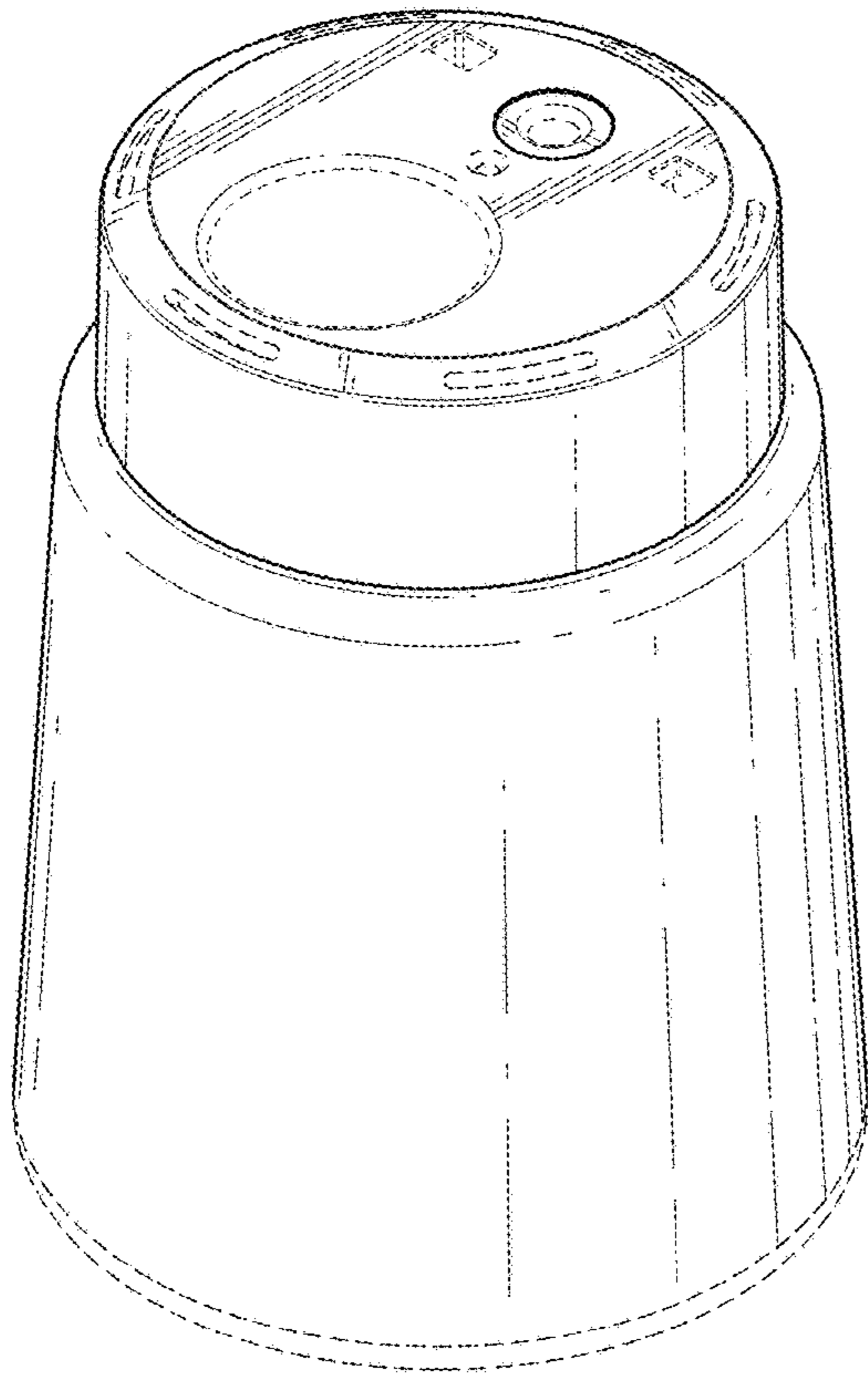


FIG. 1

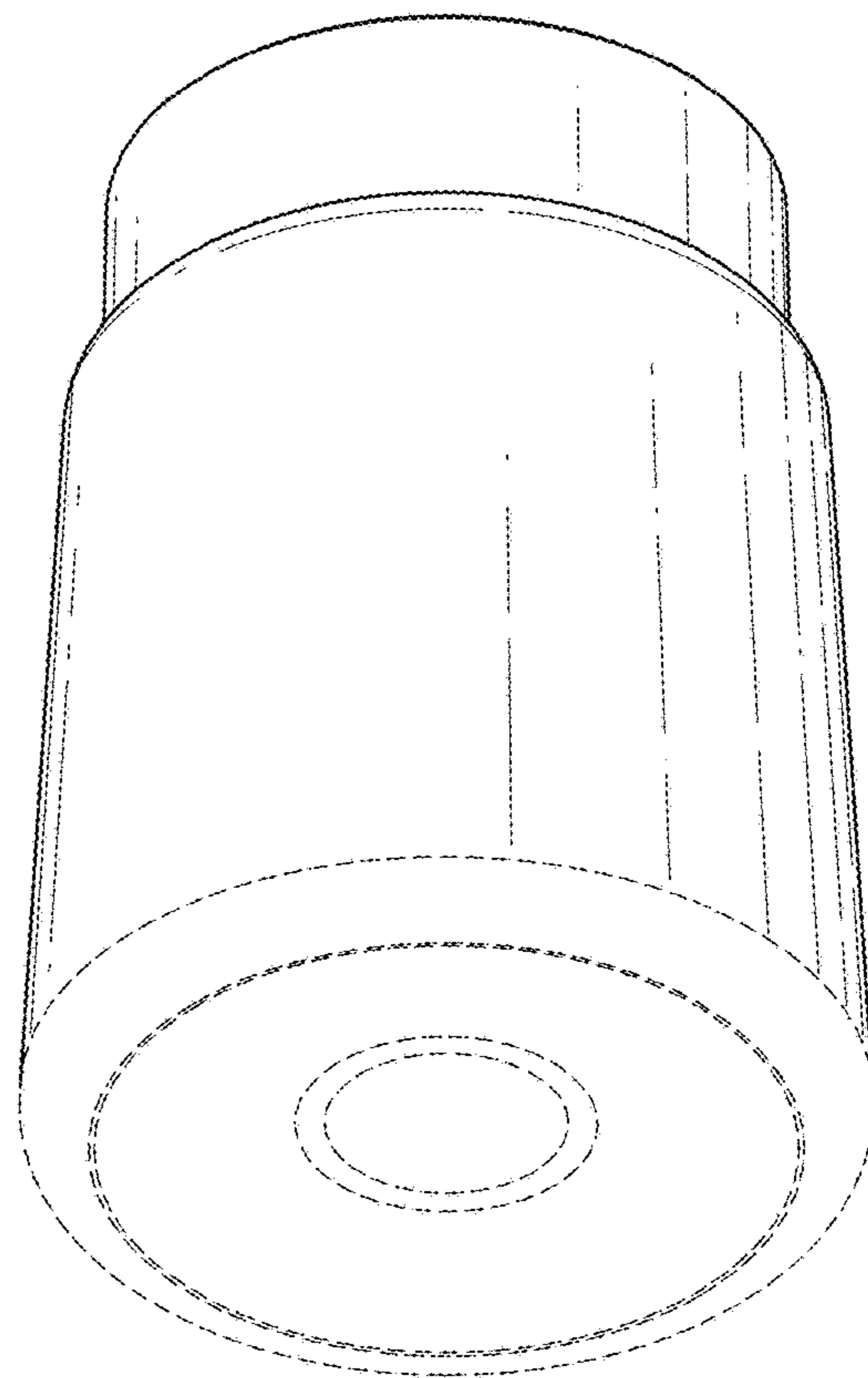
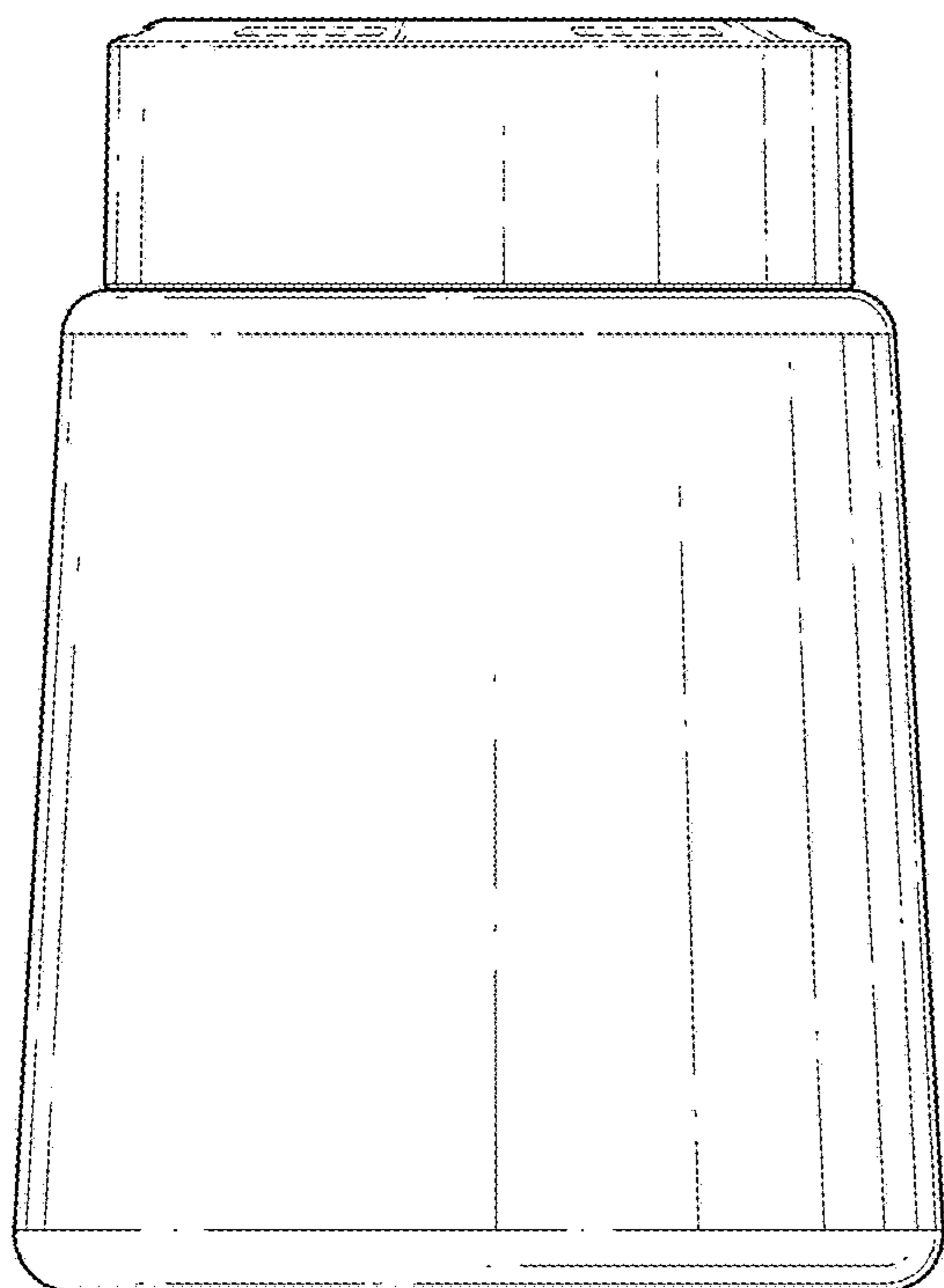
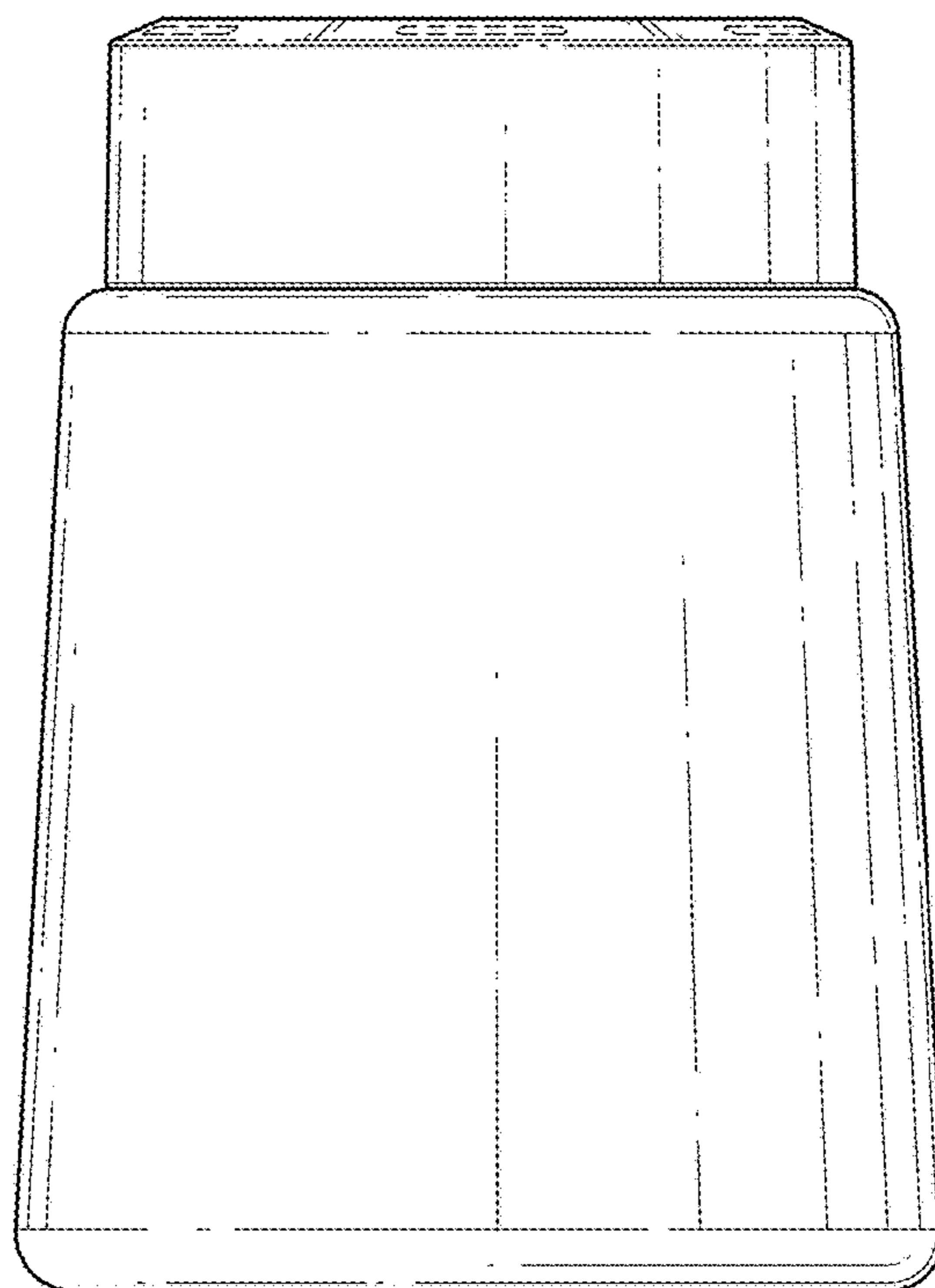


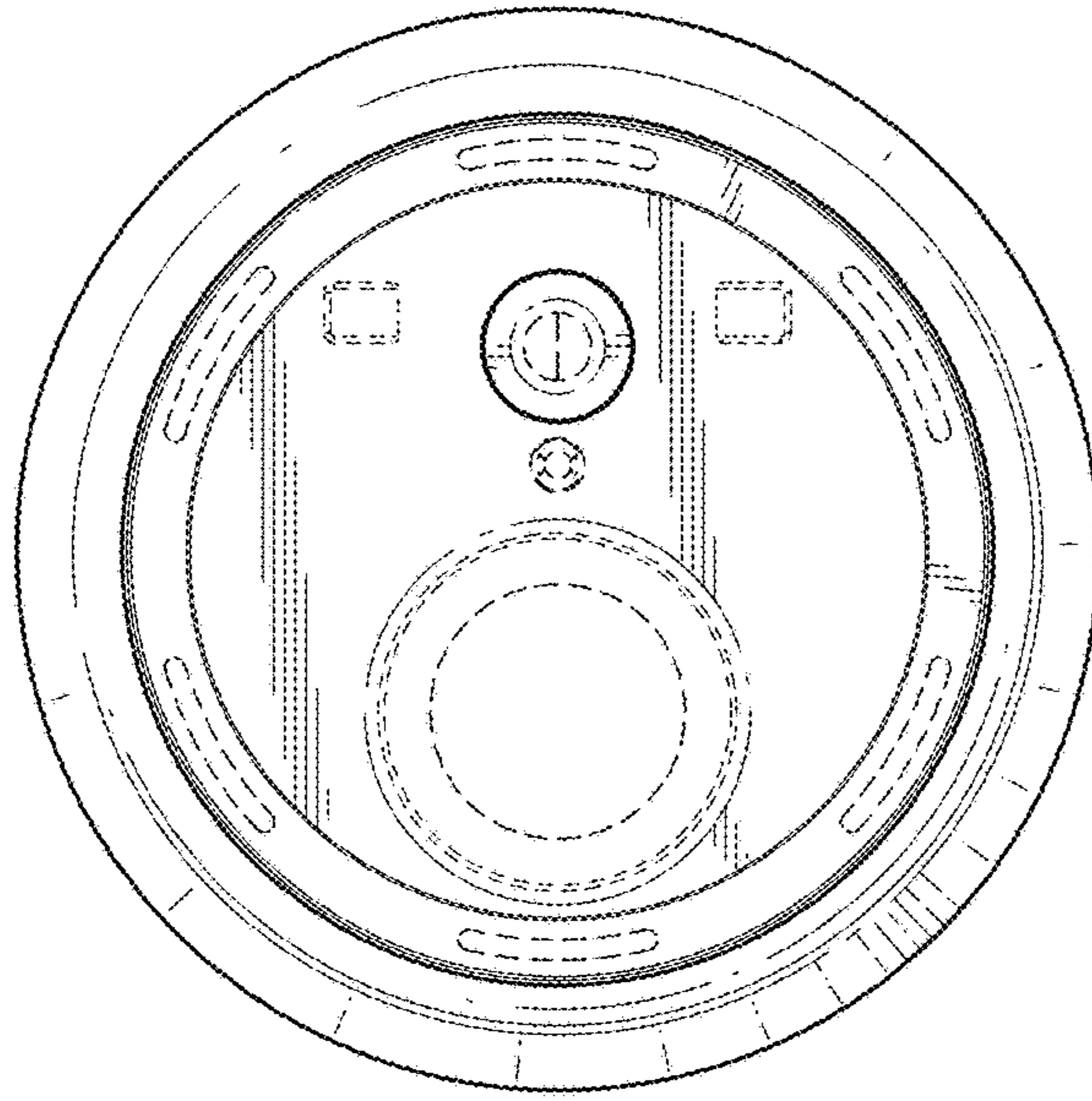
FIG. 2



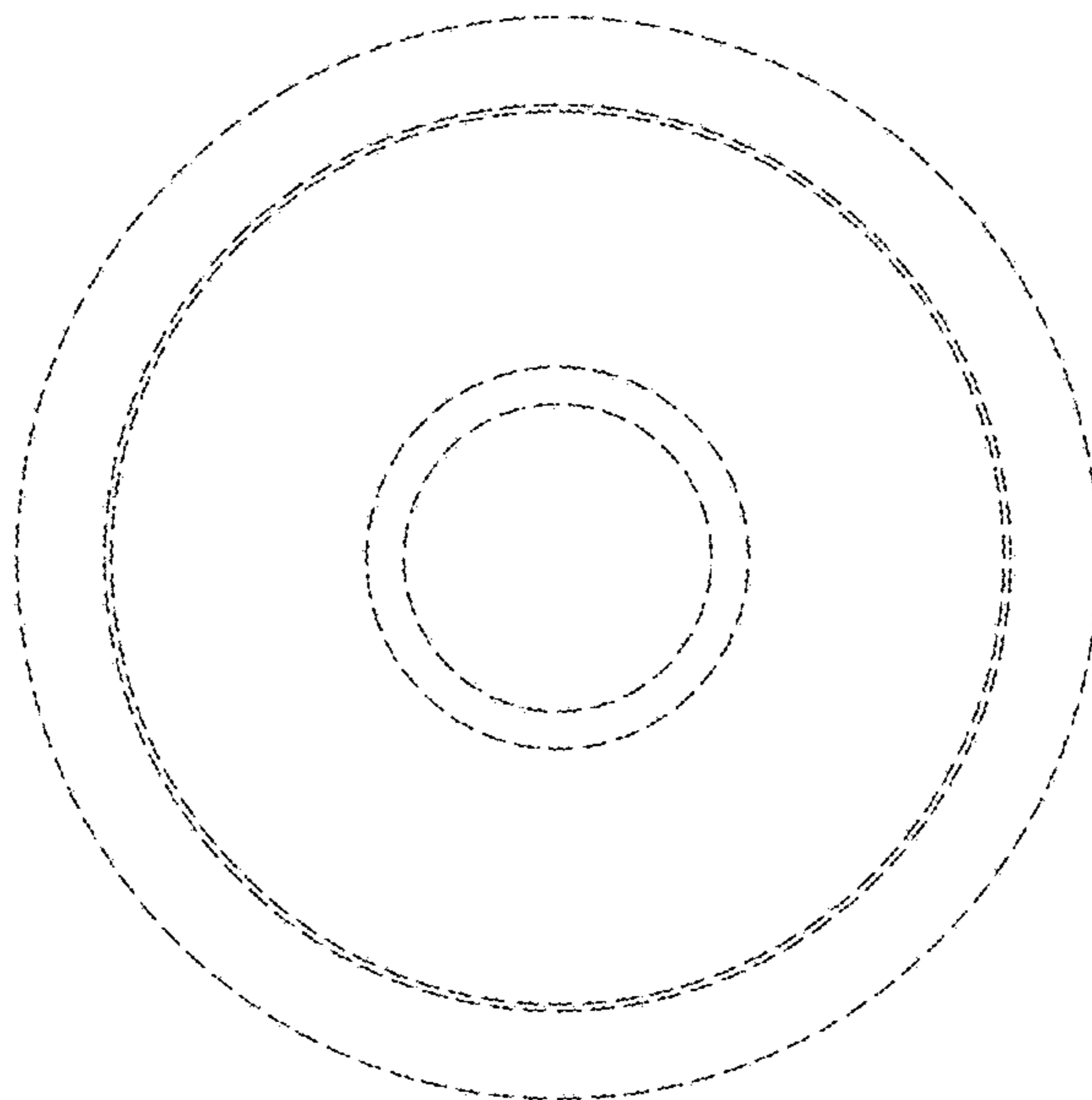
*FIG. 3*



*FIG. 4*



*FIG. 5*



*FIG. 6*