



US00D829461S

(12) **United States Design Patent**
Herkner

(10) **Patent No.:** **US D829,461 S**

(45) **Date of Patent:** **** Oct. 2, 2018**

(54) **CHAIR**

(71) Applicant: **DEDON, GmbH**, Lüneburg (DE)

(72) Inventor: **Sebastian Herkner**, Offenbach am Main (DE)

(73) Assignee: **DEDON, GmbH**, Lüneburg (DE)

(**) Term: **15 Years**

(21) Appl. No.: **29/588,318**

(22) Filed: **Dec. 20, 2016**

(51) **LOC (11) Cl.** **06-01**

(52) **U.S. Cl.**
USPC **D6/369**

(58) **Field of Classification Search**
USPC D6/334-336, 369, 370, 371, 372, 373,
D6/374, 375, 716, 716.1, 716.2, 716.3,
D6/716.4
CPC A47C 3/12; A47C 4/02; A47C 4/03; A47C
5/02; A47C 7/282; A47C 7/285
See application file for complete search history.

(56) **References Cited**

U.S. PATENT DOCUMENTS

RE24,964 E * 4/1961 Eames A47C 3/12
297/445.1
D372,366 S * 8/1996 Frinier D6/369

D552,362 S * 10/2007 Bouroullec D6/369
8,702,171 B2 * 4/2014 van Hekken A47C 3/12
297/296
D720,148 S * 12/2014 Urquiola D6/369
D785,997 S * 5/2017 Kirar D6/369
2004/0160105 A1 * 8/2004 Tseng A47C 4/02
297/344.21

* cited by examiner

Primary Examiner — Mimoso De

(74) *Attorney, Agent, or Firm* — MacCord Mason PLLC

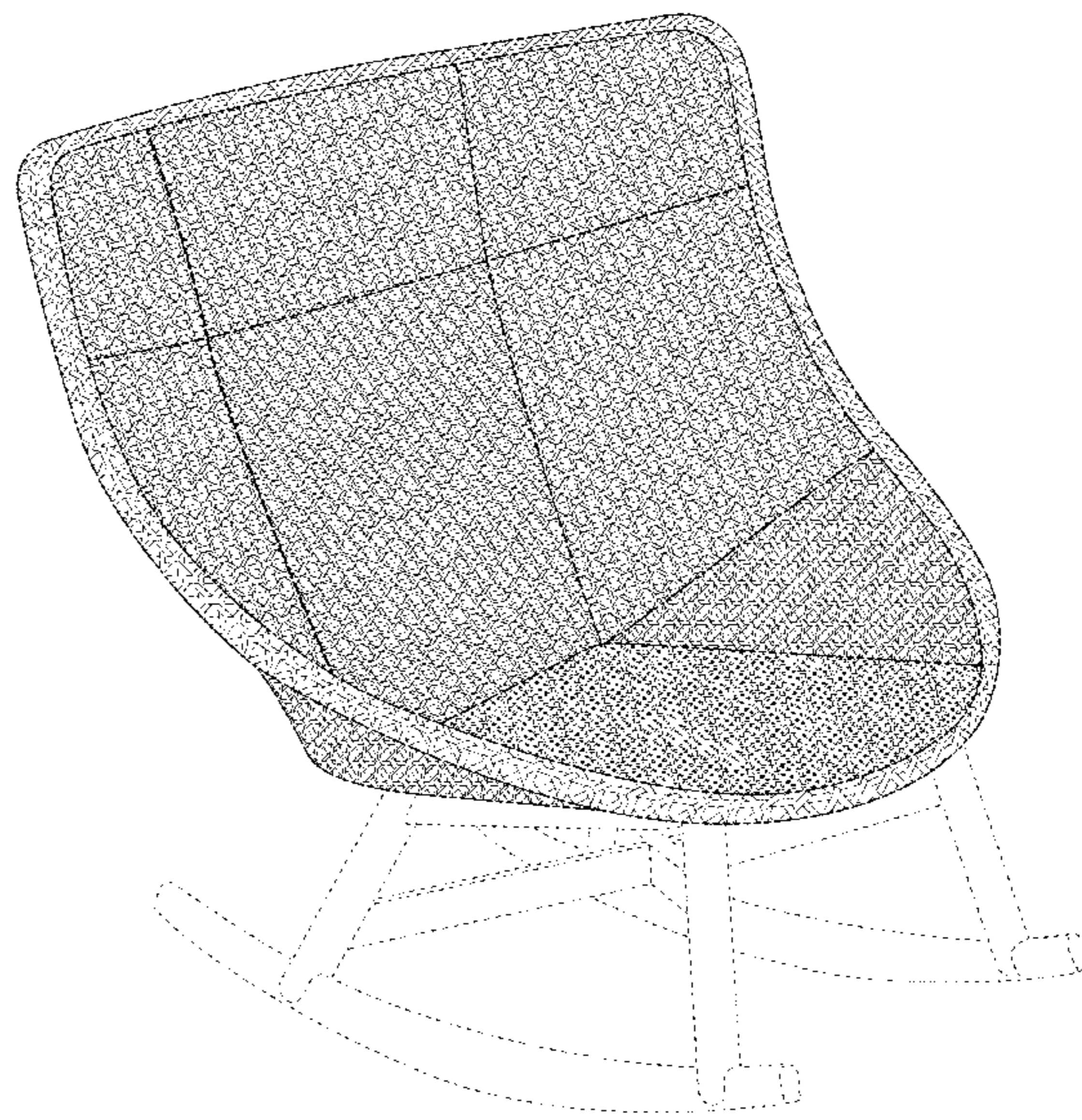
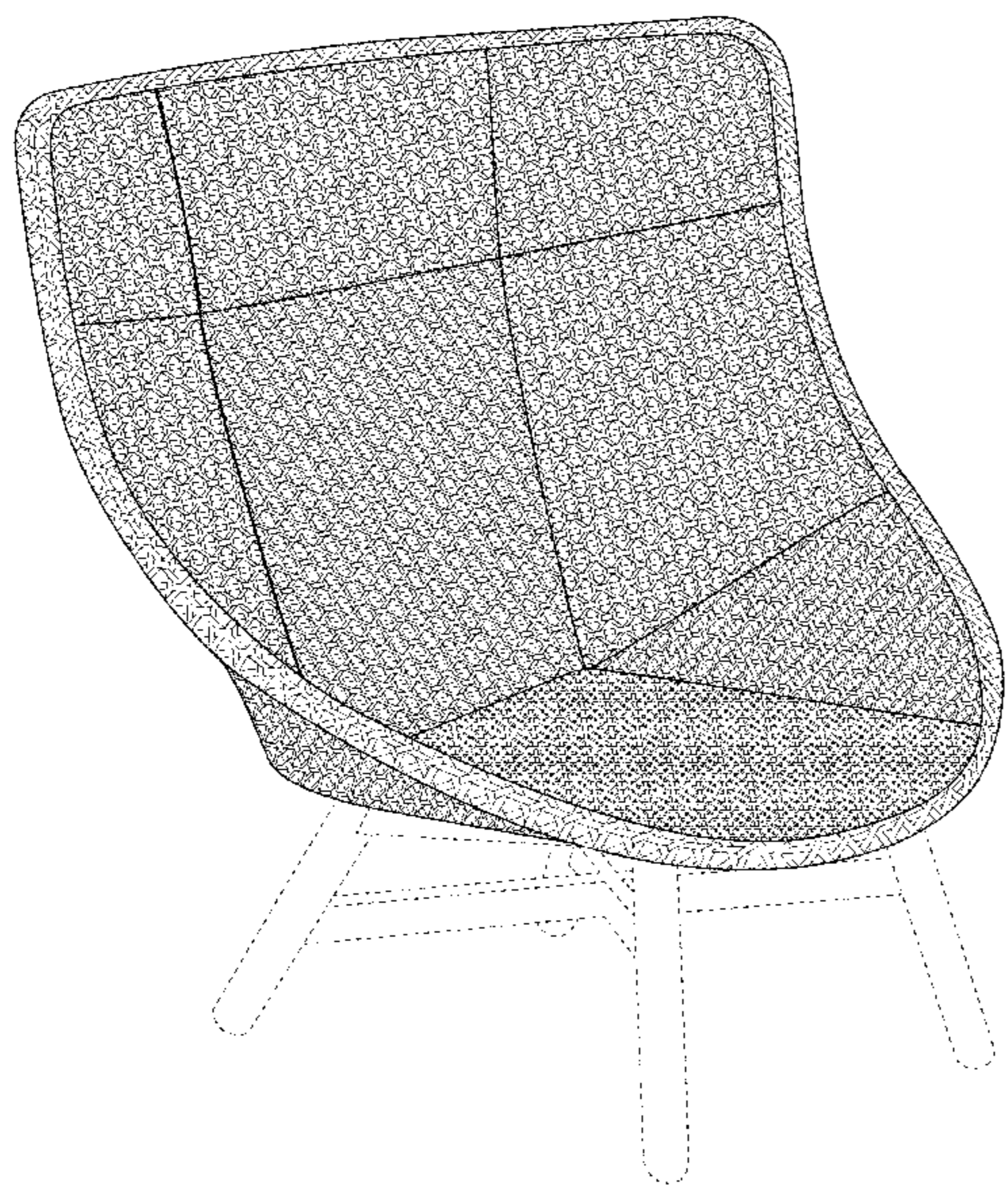
(57) **CLAIM**

The ornamental design for a chair, as shown and described.

DESCRIPTION

FIG. 1 is a front perspective view of a chair showing my new design;
FIG. 2 is a front view thereof;
FIG. 3 is a side view, the opposite side being a mirror image thereof;
FIG. 4 is a back view thereof;
FIG. 5 is a front perspective view of a second embodiment showing my new design;
FIG. 6 is a front view of a second embodiment;
FIG. 7 is a side view of a second embodiment, the opposite side being a mirror image thereof; and,
FIG. 8 is a back view of a second embodiment.
The objects shown in dotted lines depict environment and form no part of the claimed design.

1 Claim, 8 Drawing Sheets



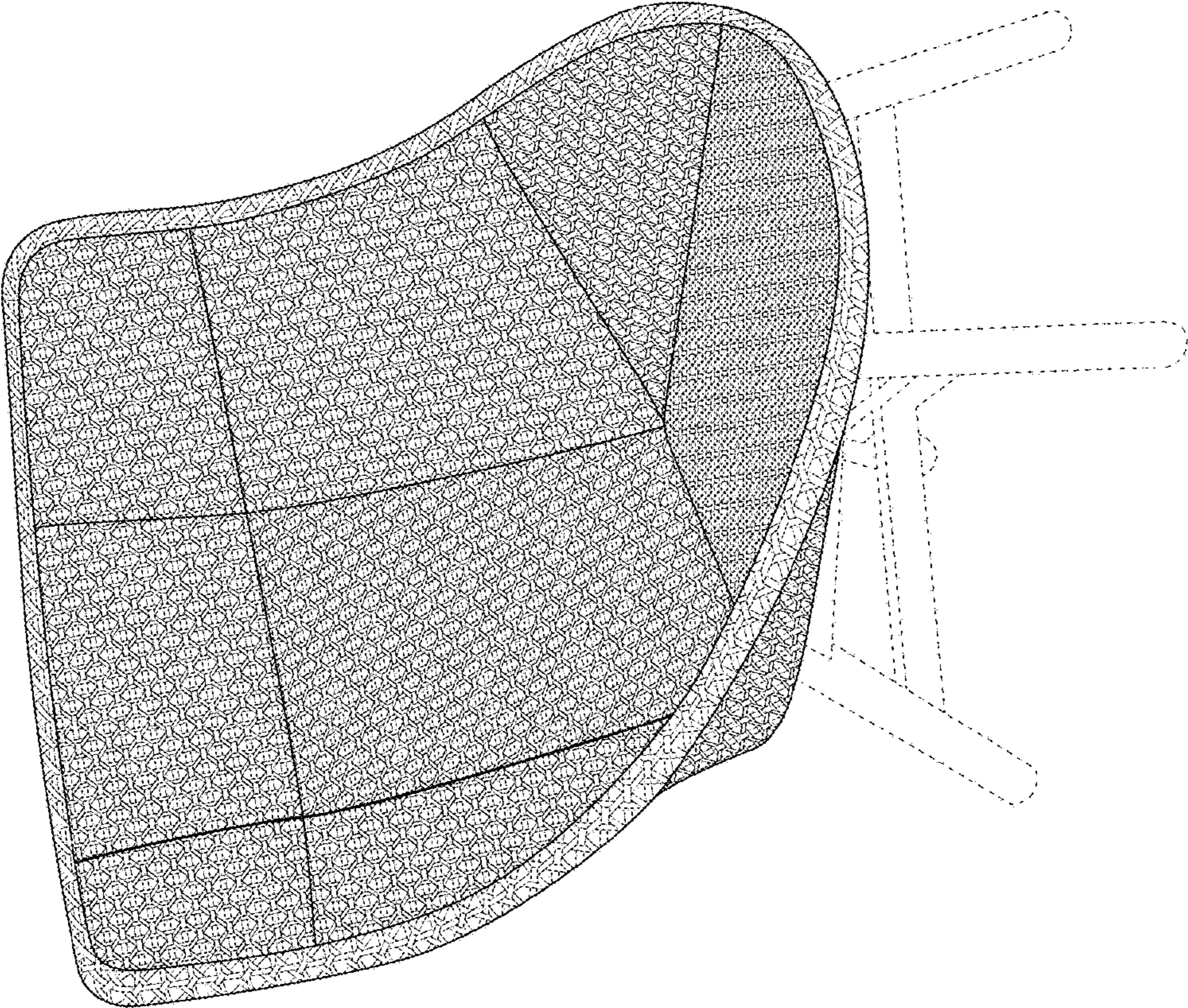


FIG. 1

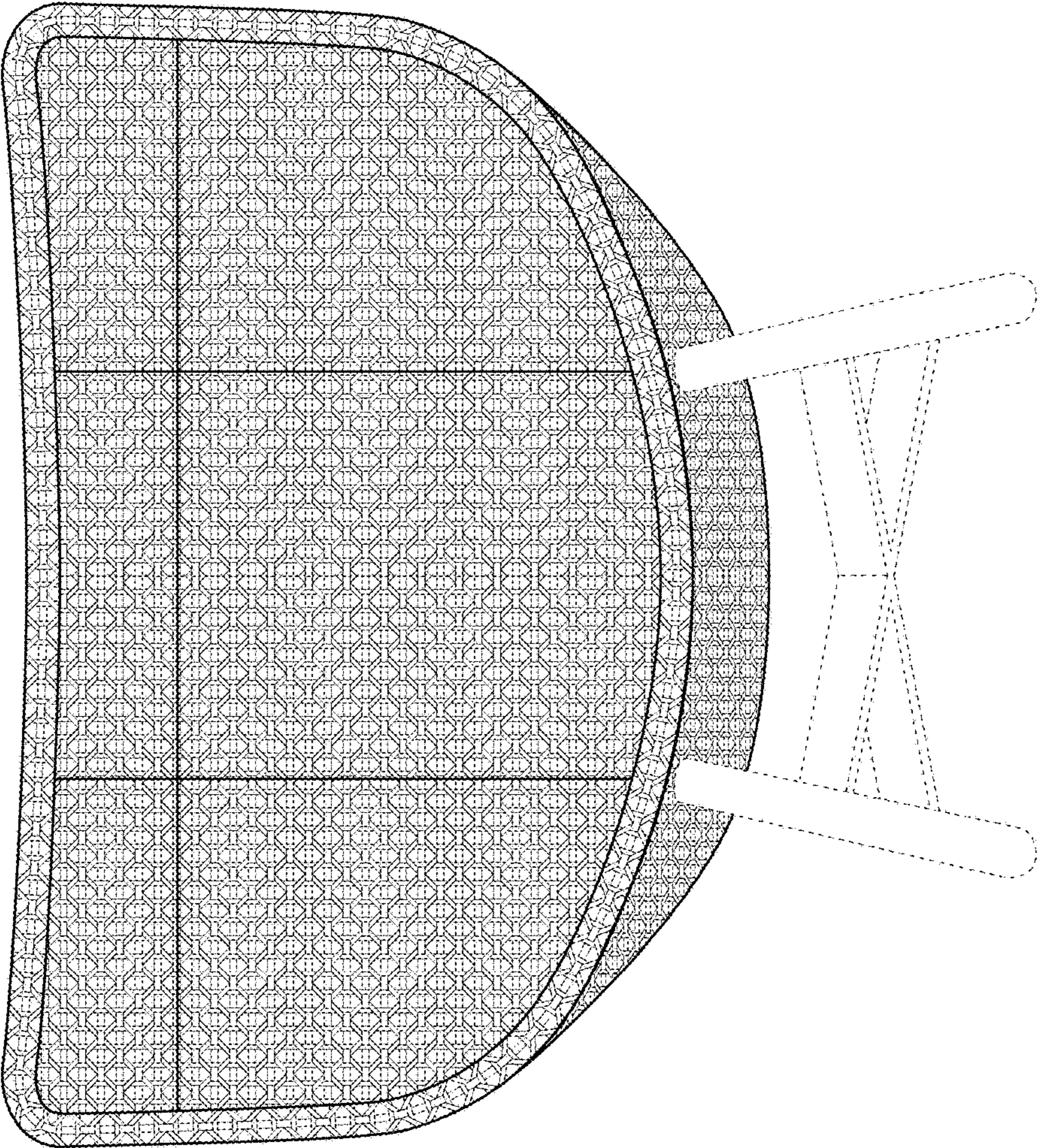


FIG. 2

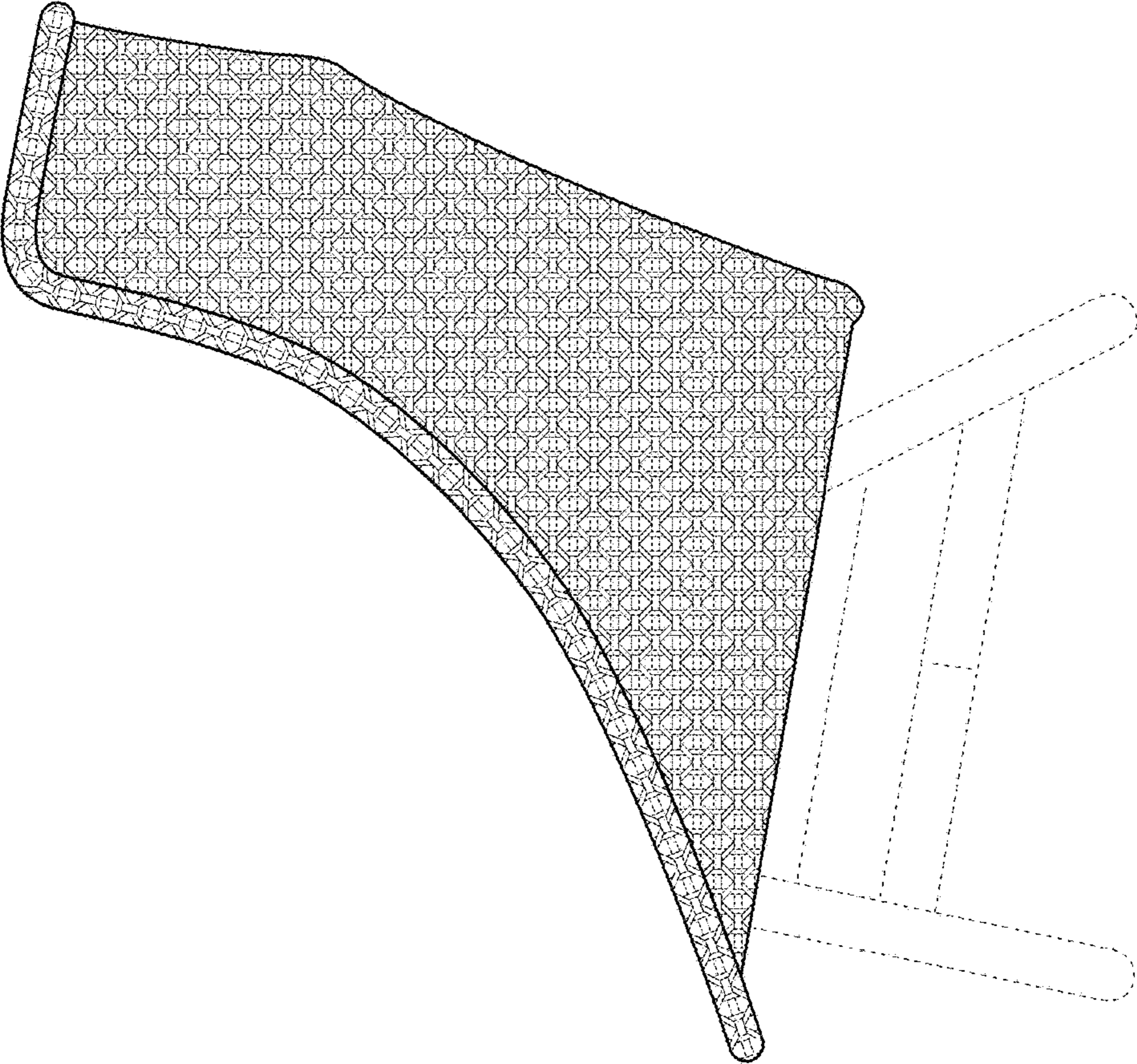


FIG. 3

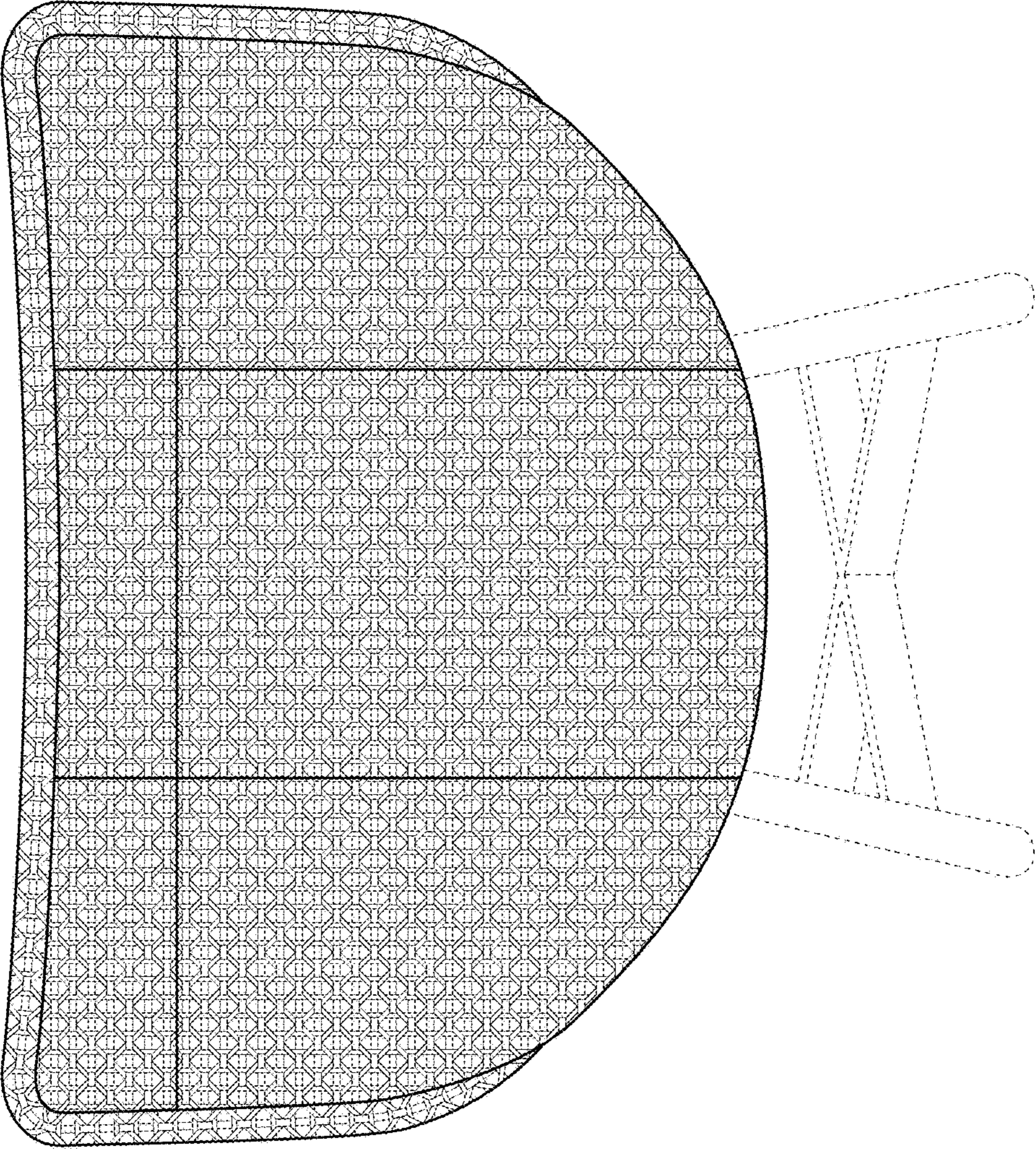


FIG. 4

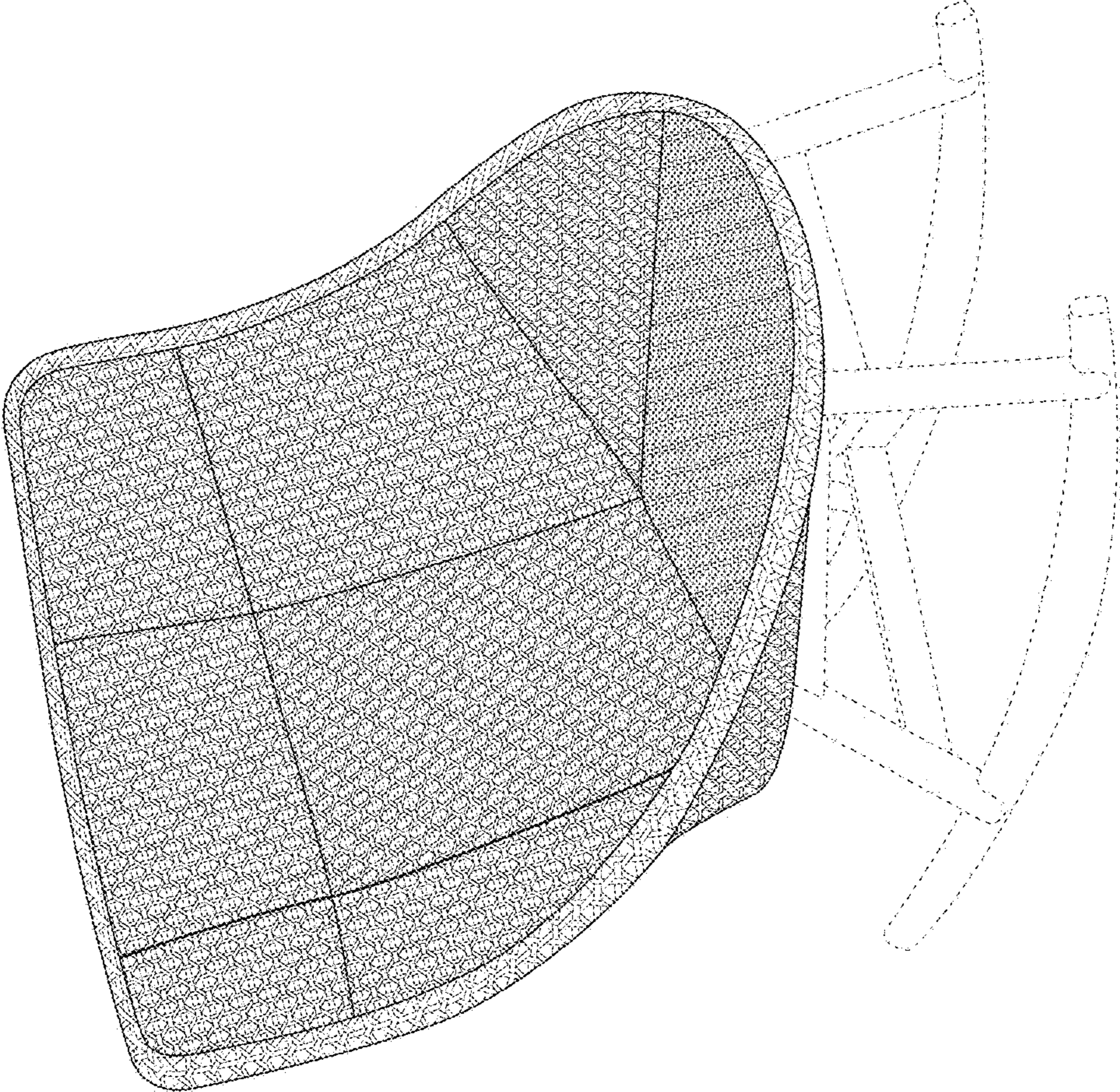


FIG. 5

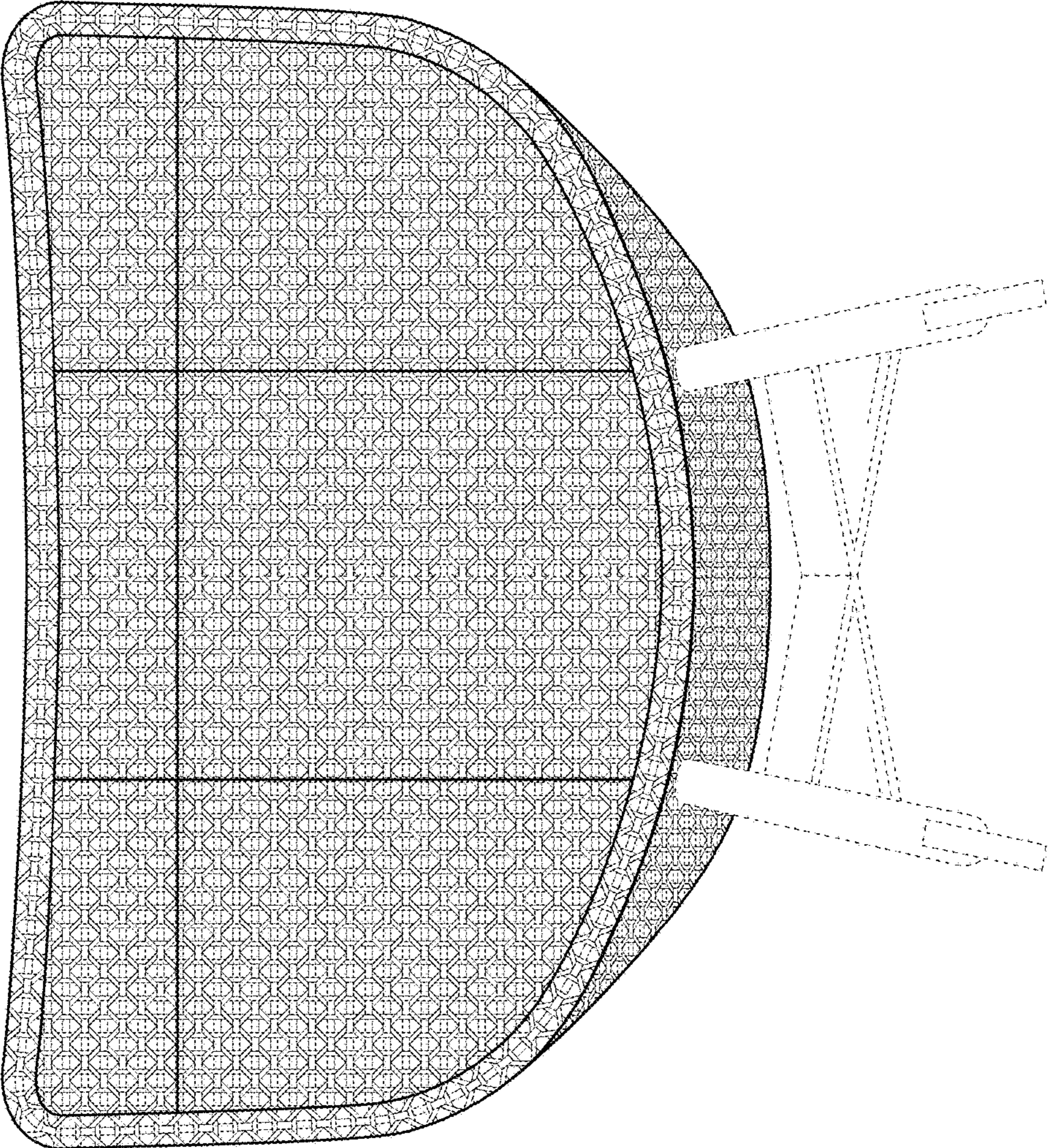


FIG. 6

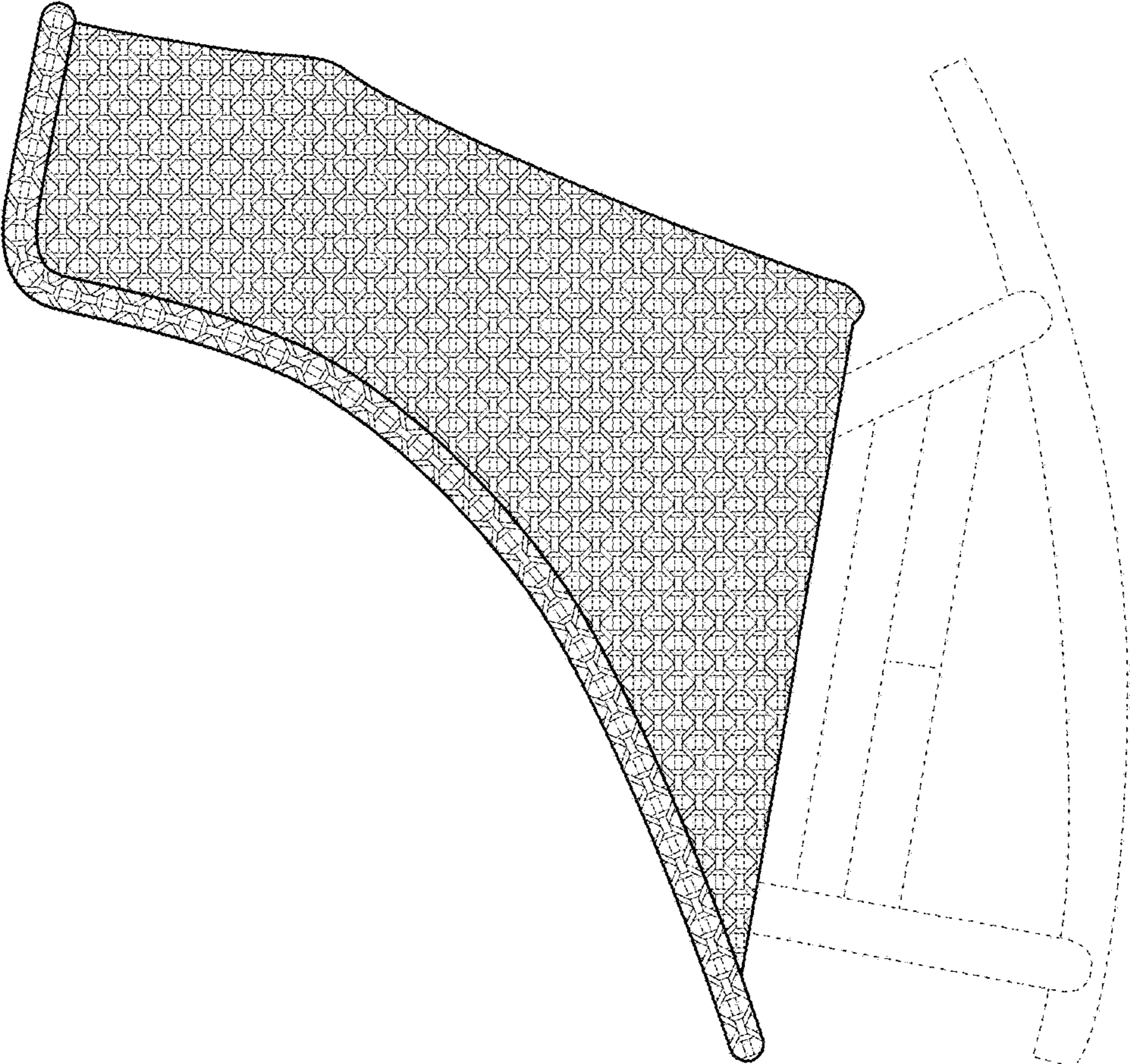


FIG. 7

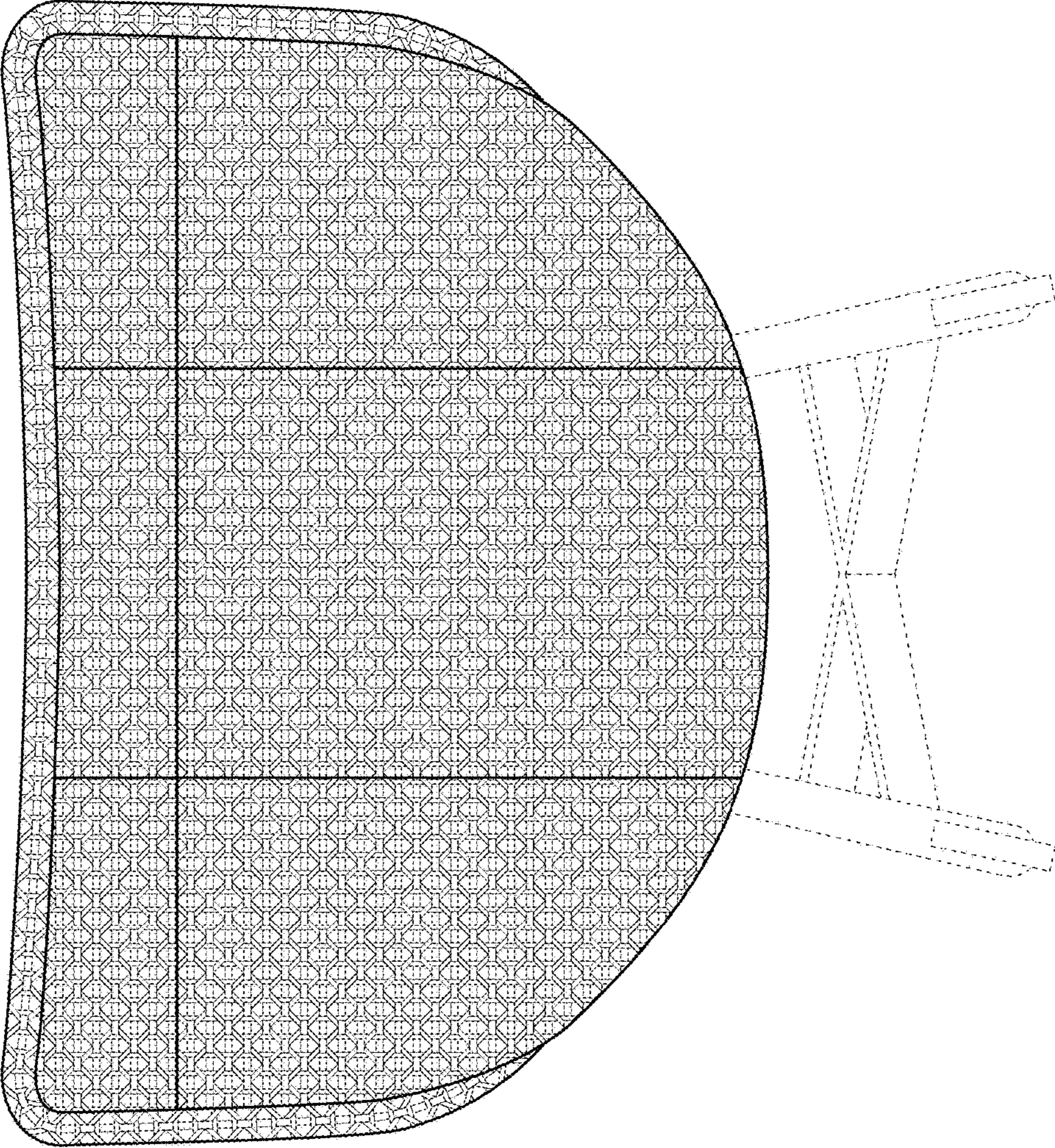


FIG. 8