



US00D829458S

(12) **United States Design Patent** (10) **Patent No.:** **US D829,458 S**  
**Abadie et al.** (45) **Date of Patent:** **\*\* Oct. 2, 2018**

(54) **GAMING CHAIR, CHAIR BACK AND CHAIR PEDESTAL**

(71) Applicant: **Gary Platt Manufacturing, LLC,**  
 Reno, NV (US)

(72) Inventors: **Edmond E. Abadie,** Reno, NV (US);  
**Daniel J. Waller,** Reno, NV (US)

(73) Assignee: **GARY PLATT MANUFACTURING, LLC,** Reno, NV (US)

(\*\*) Term: **15 Years**

(21) Appl. No.: **29/561,747**

(22) Filed: **Apr. 19, 2016**

(51) **LOC (11) Cl.** ..... **06-01**

(52) **U.S. Cl.**  
 USPC ..... **D6/360**

(58) **Field of Classification Search**  
 USPC ..... D6/334, 360, 374, 375, 380  
 CPC .... A47C 1/00; A47C 7/00; A47C 7/02; A47C 7/18; A47C 7/24  
 See application file for complete search history.

(56) **References Cited**

U.S. PATENT DOCUMENTS

D315,836 S *	4/1991	Kaiser	.....	A47C 15/004
				D6/334
D333,733 S *	3/1993	Sammons	.....	A47C 7/445
				D6/334
D347,334 S *	5/1994	Fewchuk	.....	A47C 7/00
				D6/374

D421,187 S *	2/2000	Kaiser	.....	D6/334
D502,013 S *	2/2005	Kaiser	.....	D6/334
D502,014 S *	2/2005	Kaiser	.....	D6/334
D541,069 S *	4/2007	Peitz	.....	D6/374
D573,804 S *	7/2008	Bartlmae	.....	D6/374
7,832,799 B2 *	11/2010	Davis, Jr.	.....	A47C 15/004
				248/500
D656,328 S *	3/2012	Samuel	.....	D6/360
D665,183 S *	8/2012	Welsh	.....	D6/360
2002/0053822 A1 *	5/2002	Ware	.....	A47C 7/445
				297/239
2005/0242651 A1 *	11/2005	Peitz	.....	A47C 7/00
				297/452.38

\* cited by examiner

*Primary Examiner* — George D. Kirschbaum

*Assistant Examiner* — Joseph J Kukella

(74) *Attorney, Agent, or Firm* — Hanley, Flight and Zimmerman, LLC

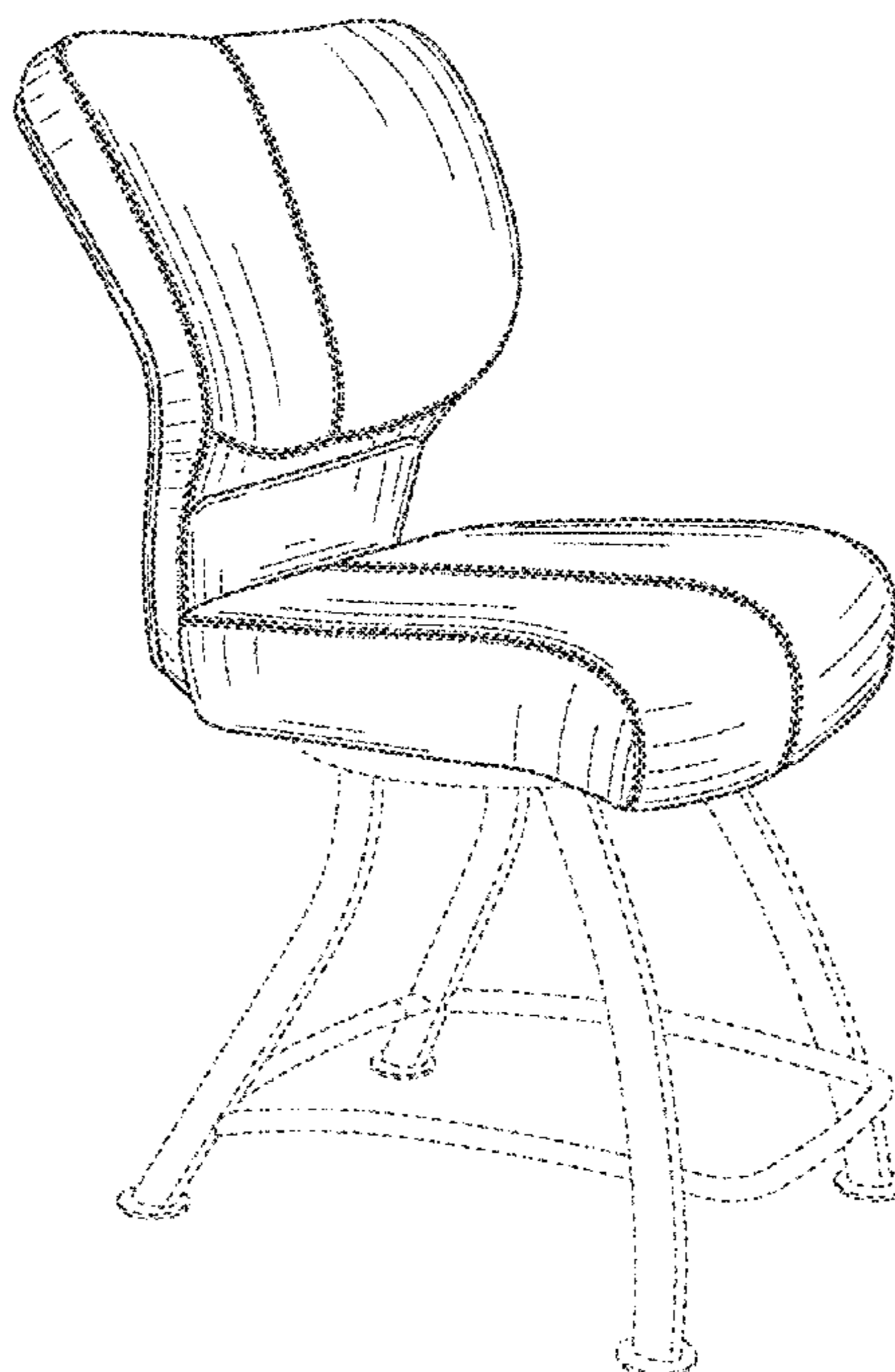
(57) **CLAIM**

The ornamental designs for a gaming chair, chair back and chair pedestal, as shown and described.

**DESCRIPTION**

FIG. 1 is an upper perspective view of an ornamental design for a gaming chair;  
 FIG. 2 is a right elevation view thereof;  
 FIG. 3 is a left elevation view thereof;  
 FIG. 4 is a front view thereof;  
 FIG. 5 is a rear view thereof;  
 FIG. 6 is a top view thereof; and,  
 FIG. 7 is a bottom view thereof.  
 In the drawings, the broken lines depict portions of the gaming chair that form no part of the claimed design.

**1 Claim, 4 Drawing Sheets**



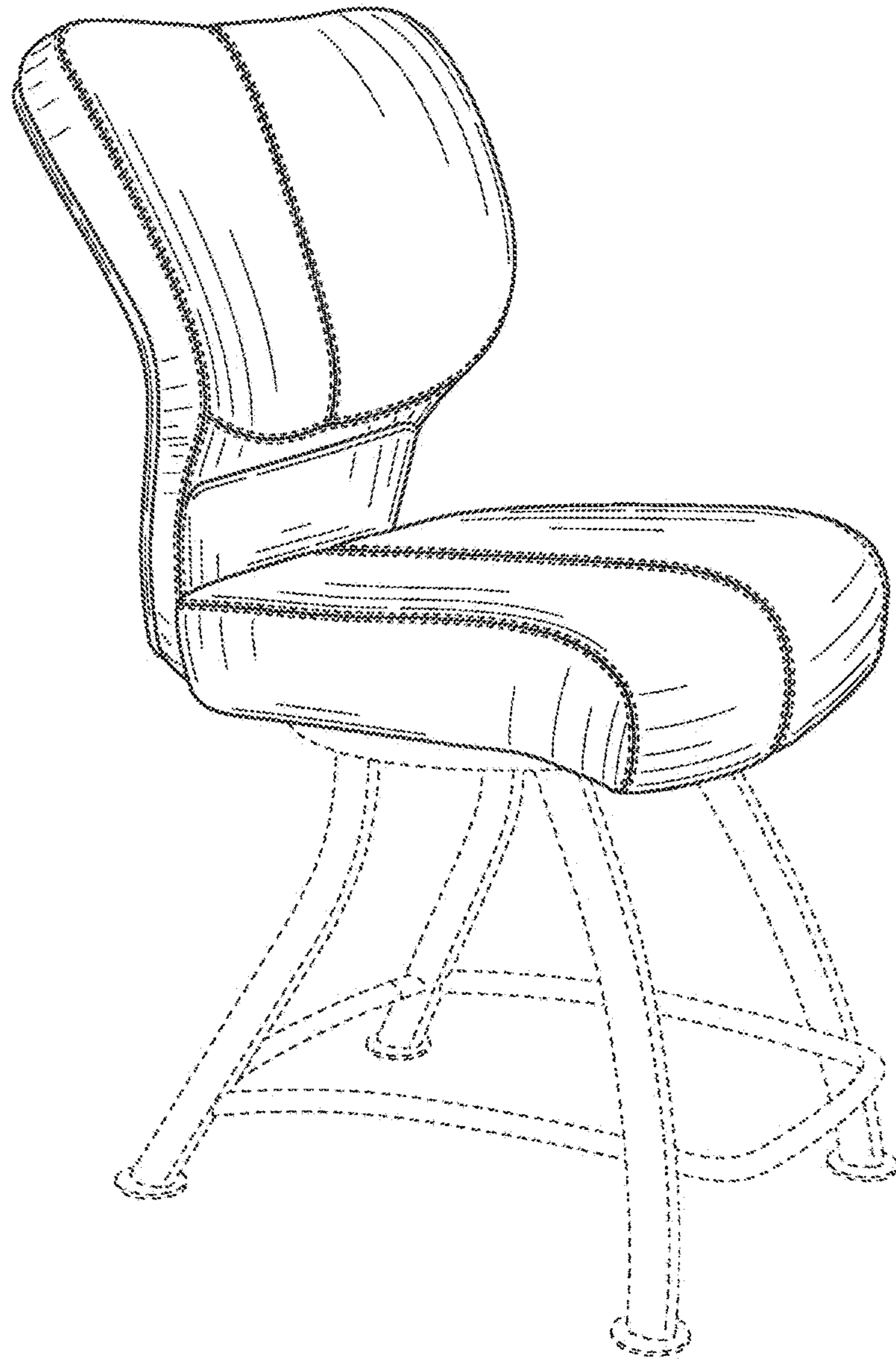


FIG. 1

© Gary Platt Manufacturing, LLC, 2016.

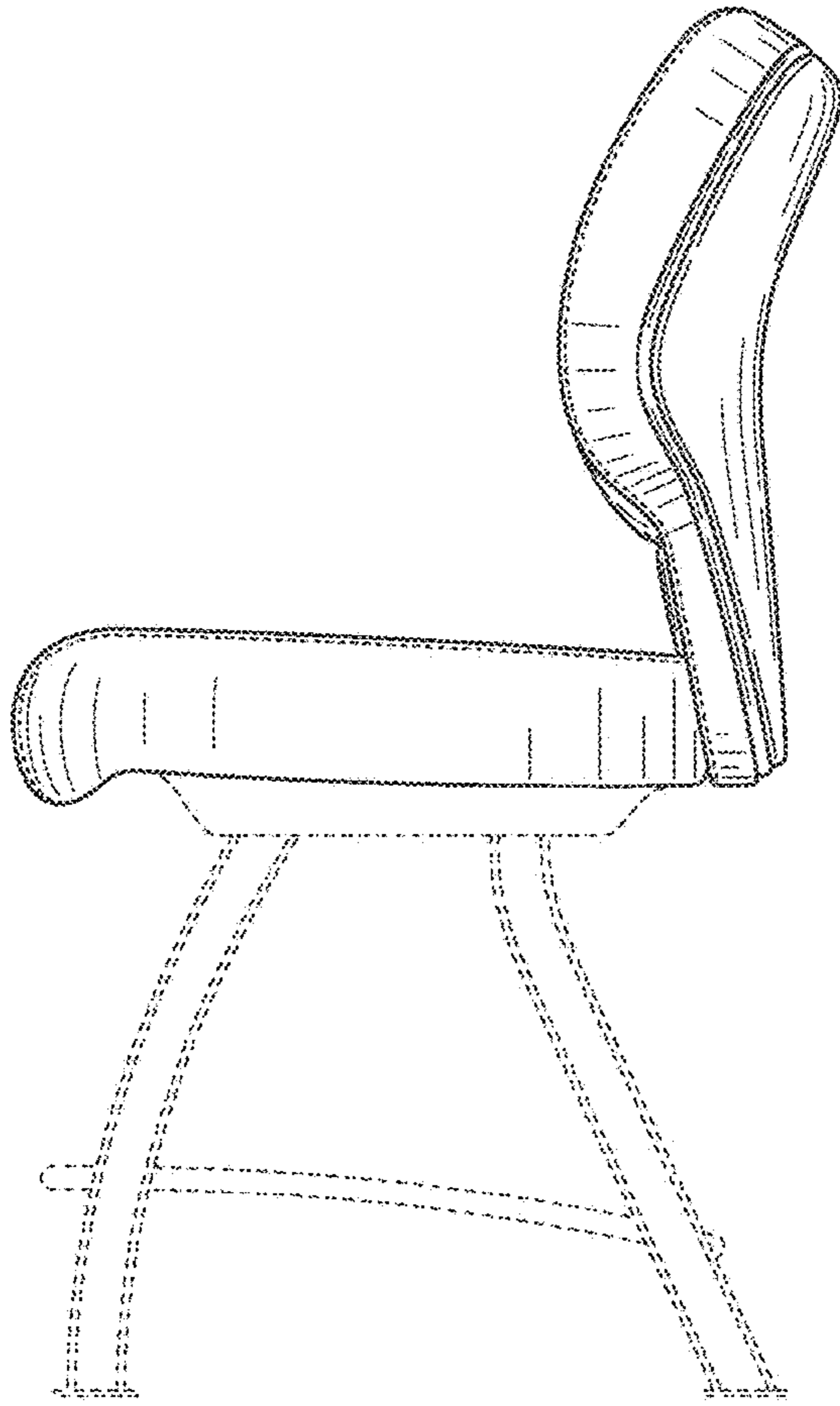


FIG. 2  
© Gary Platt Manufacturing, LLC, 2016.

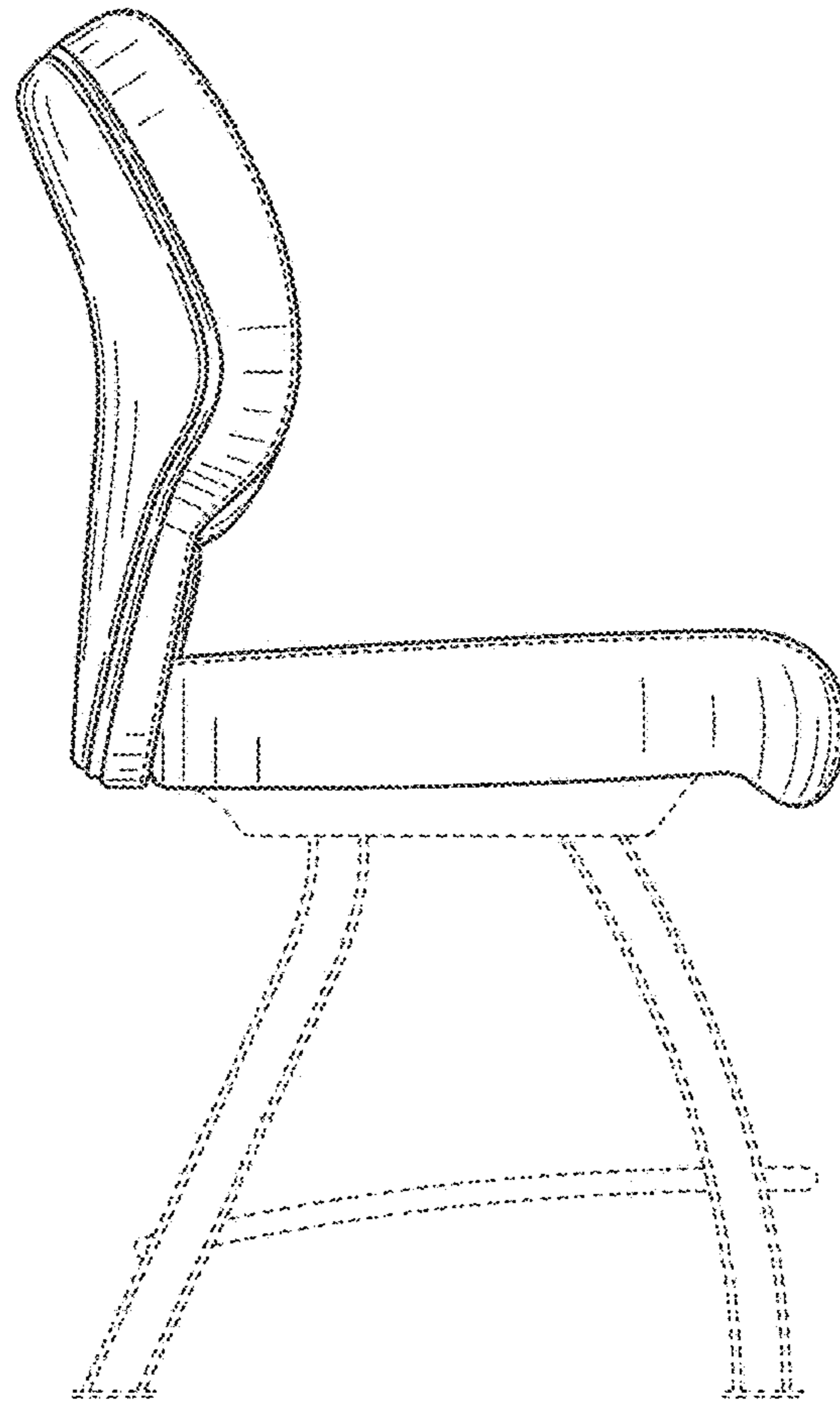


FIG. 3  
© Gary Platt Manufacturing, LLC, 2016.

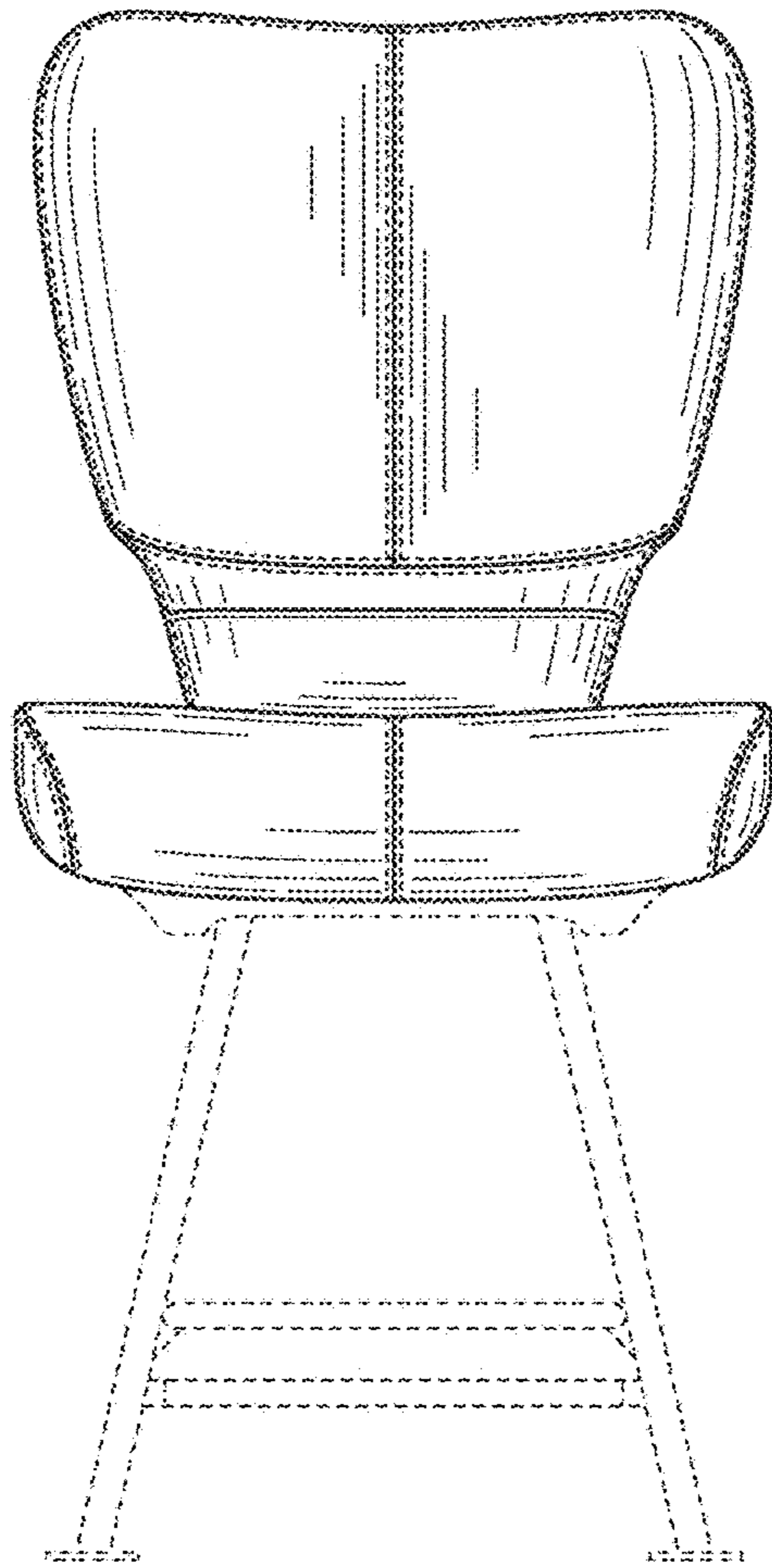


FIG. 4  
© Gary Platt Manufacturing, LLC, 2016.

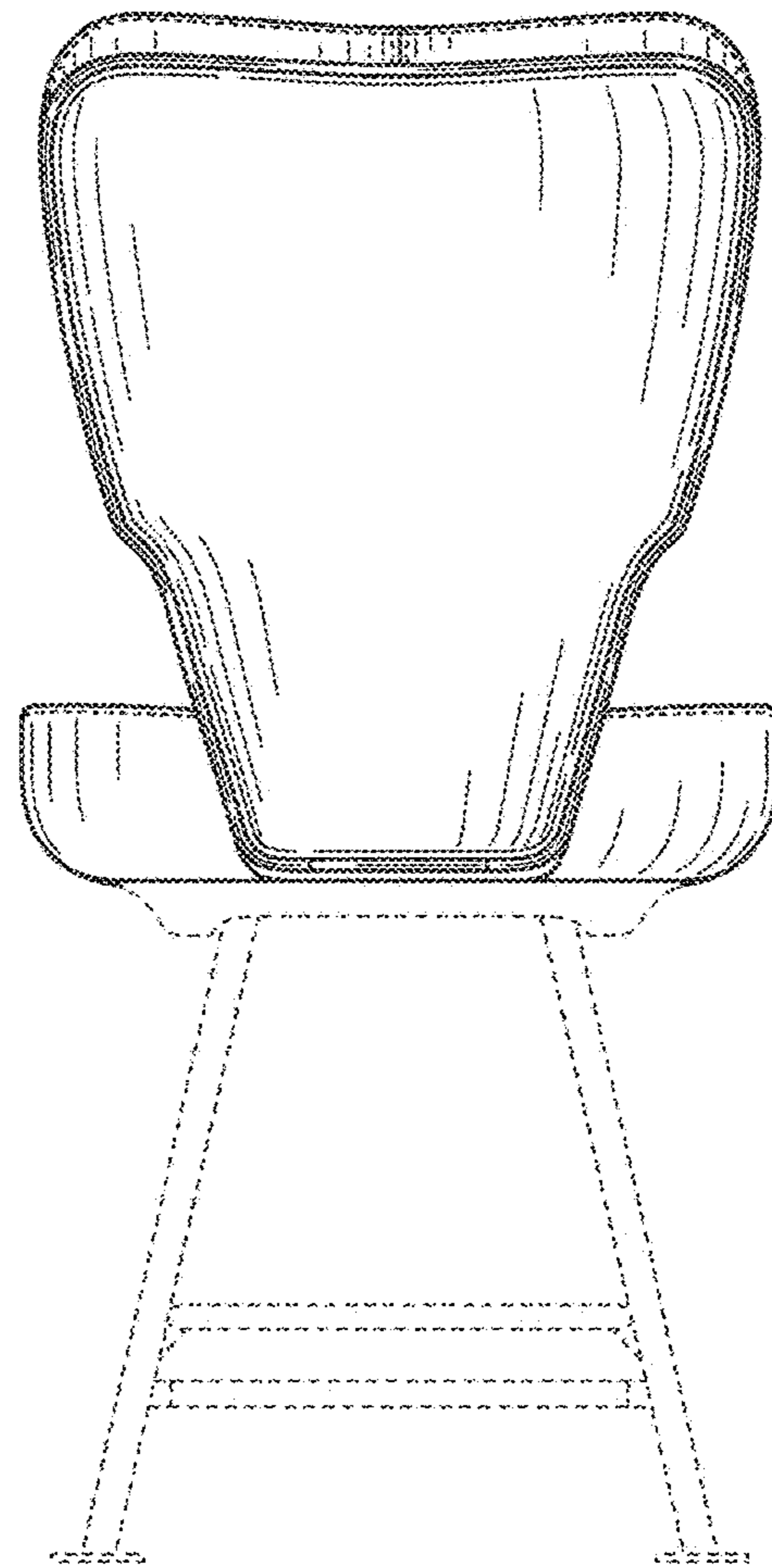


FIG. 5  
© Gary Platt Manufacturing, LLC, 2016.

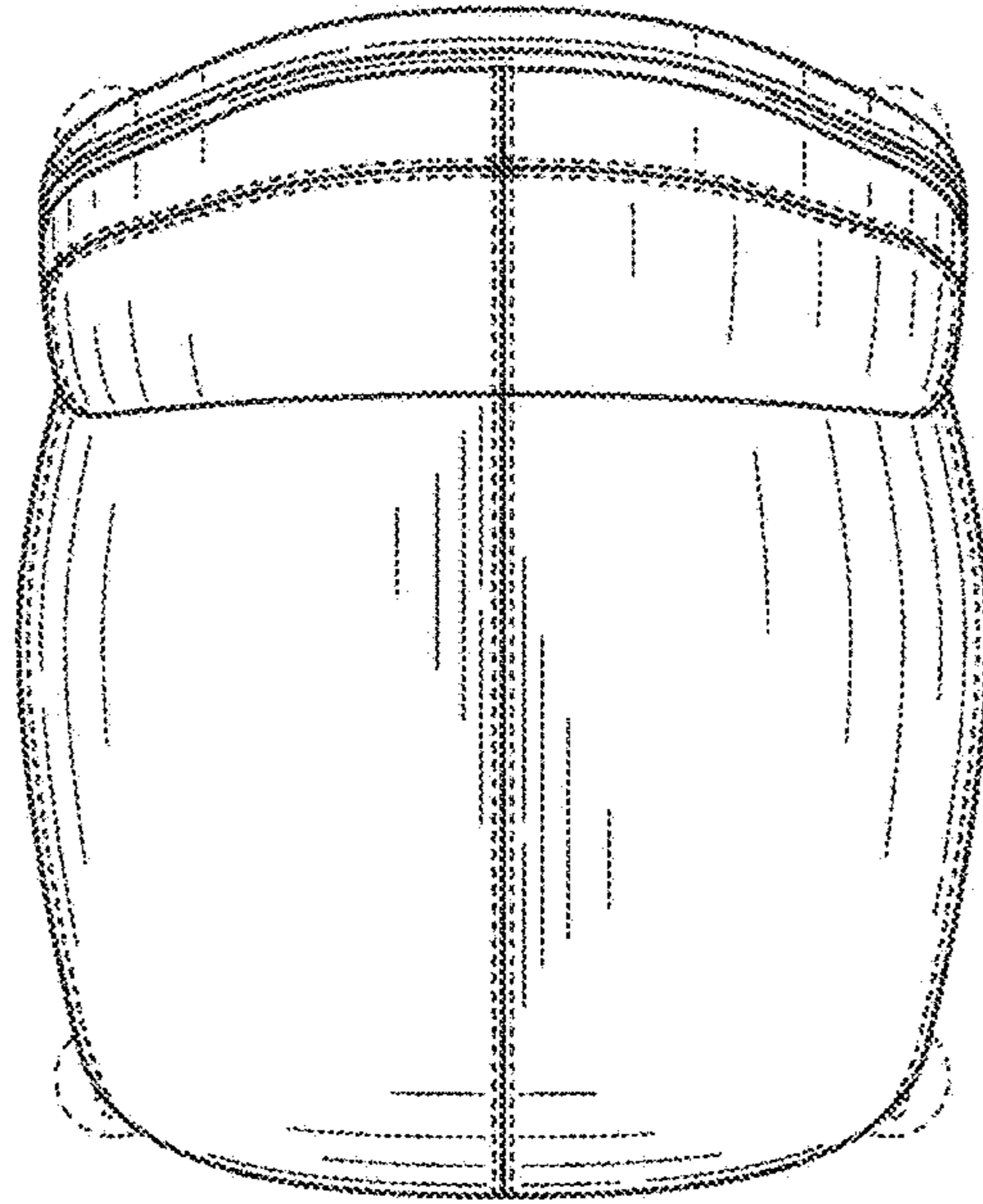


FIG. 6  
© Gary Platt Manufacturing, LLC, 2016.

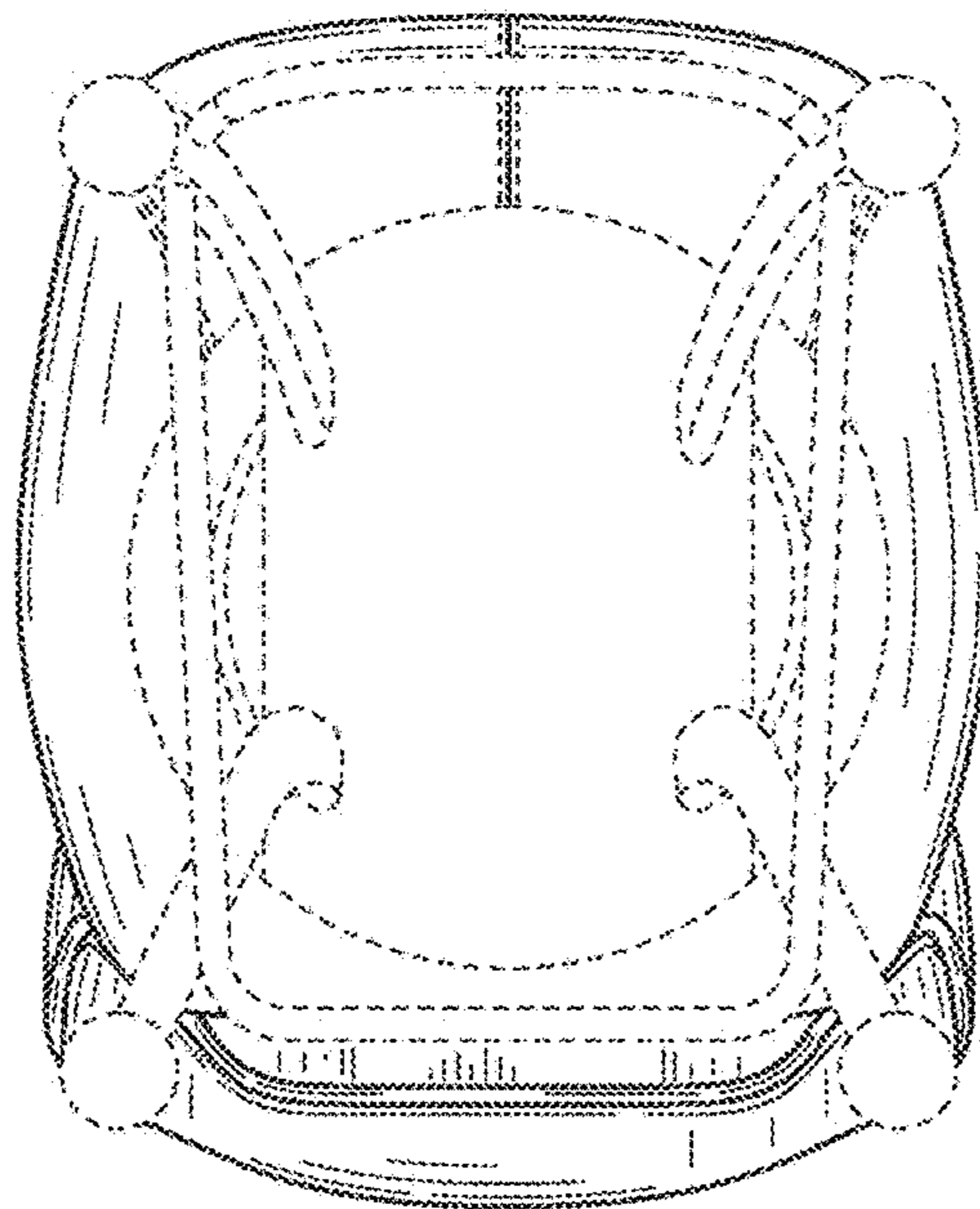


FIG. 7  
© Gary Platt Manufacturing, LLC, 2016.