



US00D829456S

(12) **United States Design Patent** (10) **Patent No.:** **US D829,456 S**
Chiu (45) **Date of Patent:** **** Oct. 2, 2018**

(54) **BALL CHAIR**
(71) Applicant: **Hsi-Piao Chiu**, Changhua (TW)
(72) Inventor: **Hsi-Piao Chiu**, Changhua (TW)
(73) Assignee: **Famosa Corp.**, Changhua (TW)
(**) Term: **15 Years**
(21) Appl. No.: **29/594,210**

D748,403 S * 2/2016 Walser D6/352
D748,924 S * 2/2016 Walser D6/352
D756,139 S * 5/2016 Chadwick D6/352
D764,200 S * 8/2016 Elmaleh D6/349
9,408,469 B1 * 8/2016 Chiu A47C 4/02
D767,290 S * 9/2016 Walser D6/352
D783,301 S * 4/2017 Hsu D6/366
D801,713 S * 11/2017 Chiu D6/352
2008/0191525 A1 * 8/2008 Jensen A47C 9/002
297/217.2
2014/0210249 A1 * 7/2014 Barnett A47C 4/54
297/452.41

(Continued)

(22) Filed: **Feb. 16, 2017**
(51) **LOC (11) Cl.** **06-01**
(52) **U.S. Cl.**
USPC **D6/349**; D6/366; D6/367
(58) **Field of Classification Search**
USPC D6/274, 334, 349-353, 360, 364-367,
D6/371-374, 403-405, 596, 691-291.9,
D6/692-692.6, 708.21, 716; D25/62-65,
D25/69
CPC A47B 7/00; A47B 7/02; A47B 9/00; A47B
13/02; A47B 23/00; A47B 39/00; A47C
7/002; A47C 7/18; A47C 3/18; A47C
3/20; A47C 9/002; A47C 9/007; A47C
9/02; A47C 11/00
See application file for complete search history.

OTHER PUBLICATIONS

Gaiam Adjustable Balance Ball Stool. [online] Published on May 25, 2017. Retrieved Dec. 12, 2017 from URL:https://www.amazon.com/dp/B06X9GGZJR?ref=emc_b_5_i.*

Primary Examiner — Vy N Koenig
(74) Attorney, Agent, or Firm — Che-Yang Chen; Law Offices of Scott Warmuth

(57) **CLAIM**

The ornamental design for a ball chair, as shown and described.

(56) **References Cited**

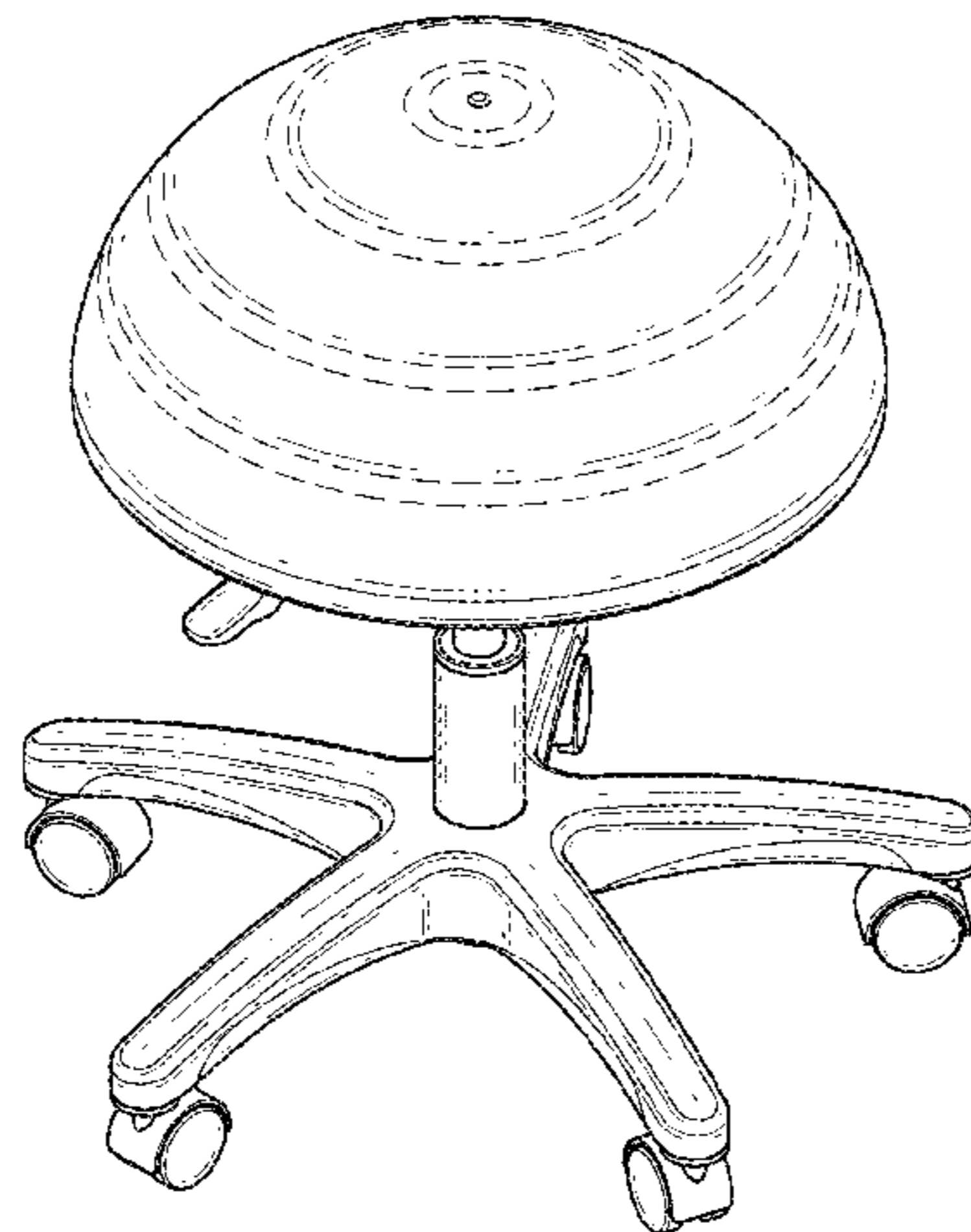
U.S. PATENT DOCUMENTS

5,690,389 A * 11/1997 Ekman A47C 3/16
248/599
D471,025 S * 3/2003 Chiu D6/366
D471,371 S * 3/2003 Chiu D6/366
D503,553 S * 4/2005 Chiu D6/352
7,140,677 B1 * 11/2006 Chiu A47C 4/54
297/181
D536,542 S * 2/2007 Chiu D6/352
8,056,976 B1 * 11/2011 Polk A47C 3/029
297/258.1
8,926,483 B1 * 1/2015 Holloway A63B 26/003
297/271.5
D745,287 S * 12/2015 Chadwick D6/352

DESCRIPTION

FIG. 1 is a perspective view of a ball chair showing my new design;
FIG. 2 is a front elevational view thereof;
FIG. 3 is a rear elevational view thereof;
FIG. 4 is a left side elevational view thereof;
FIG. 5 is a right side elevational view thereof;
FIG. 6 is a top plan view thereof; and,
FIG. 7 is a bottom plan view thereof.
The broken lines showing in figures represent the environment of the claimed design and forms no part thereof.

1 Claim, 4 Drawing Sheets



(56)

References Cited

U.S. PATENT DOCUMENTS

2014/0265495 A1* 9/2014 Bay A47C 7/402
297/311
2016/0353894 A1* 12/2016 Hsu A47C 9/002

* cited by examiner

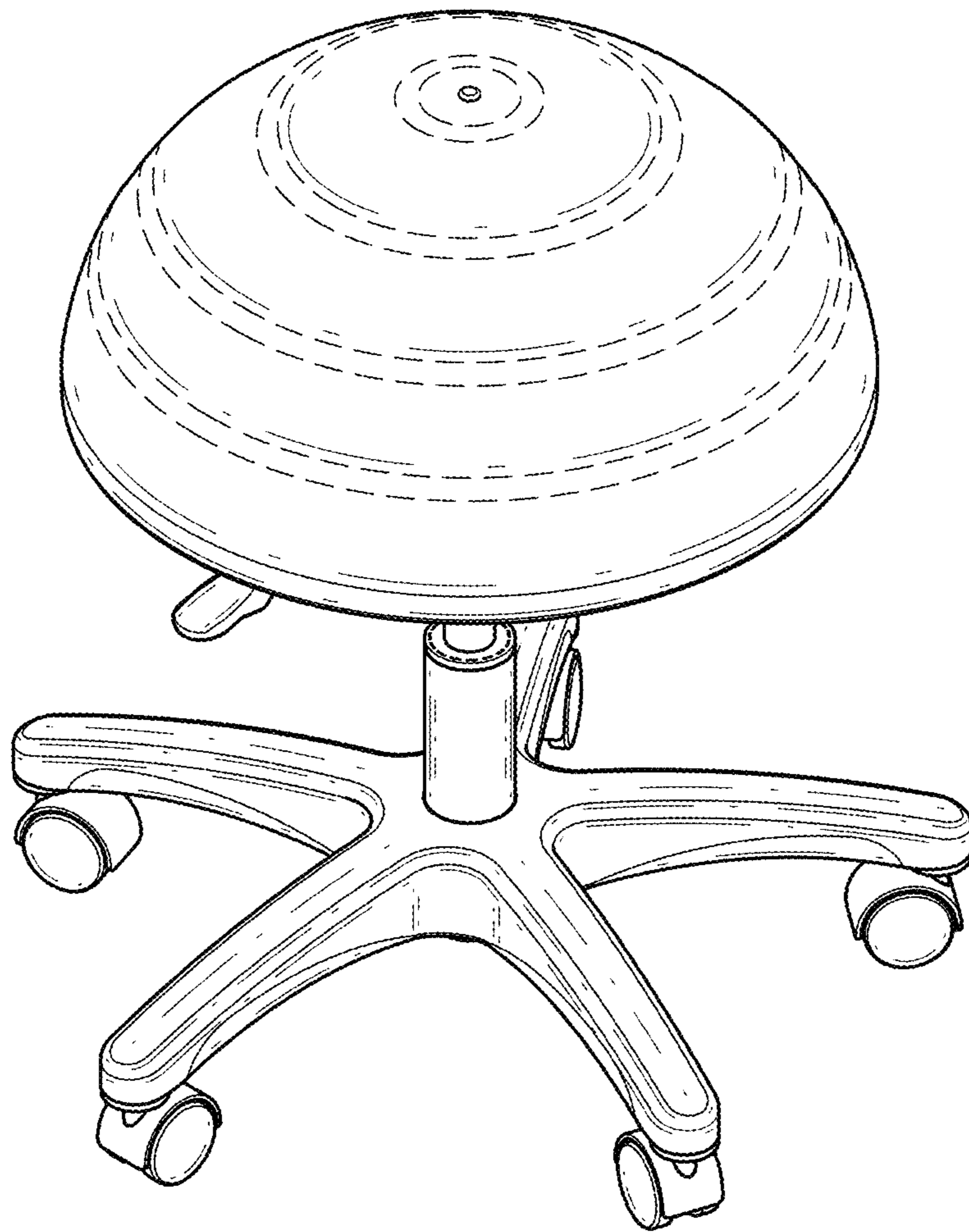


FIG. 1

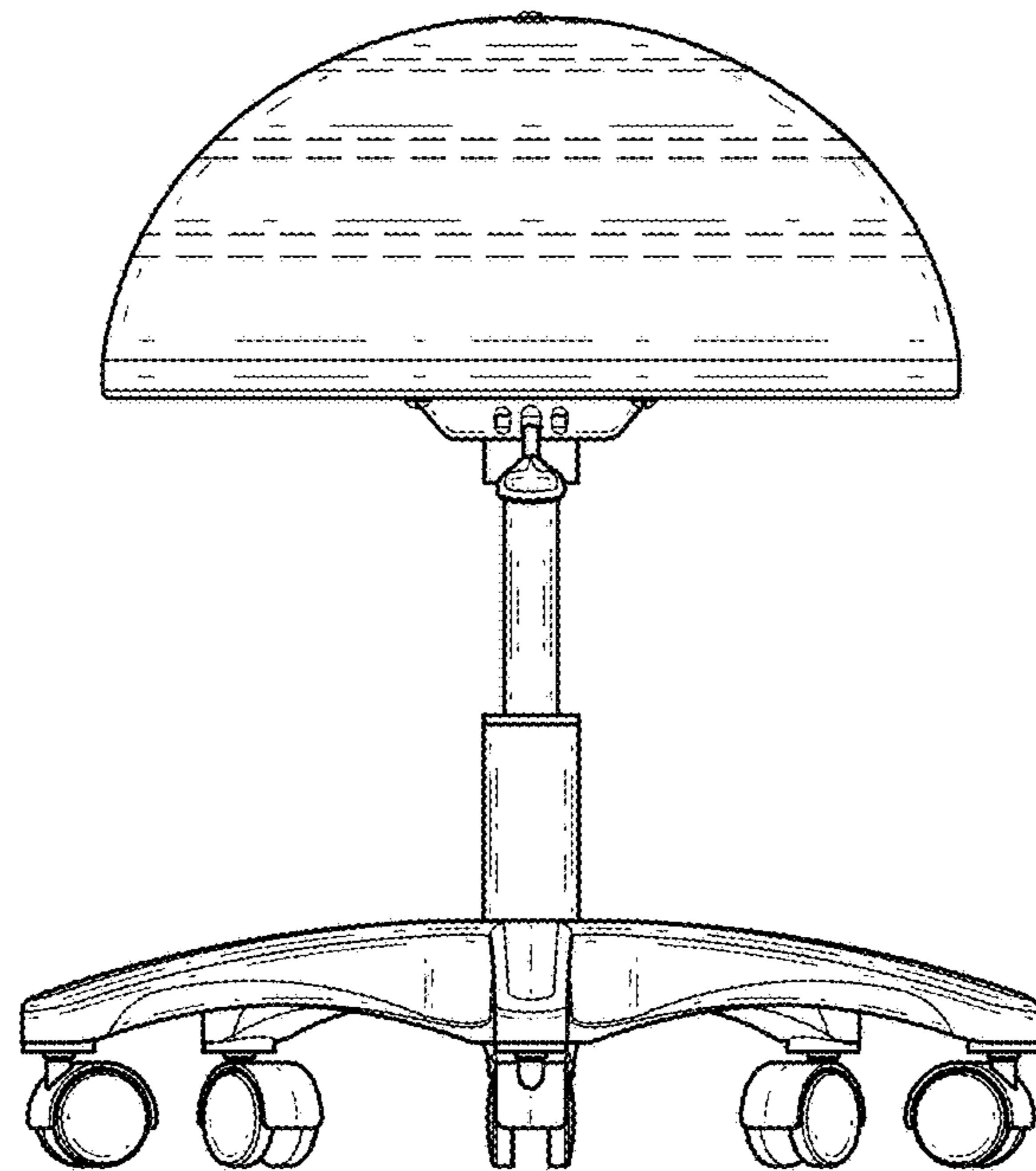


FIG. 2

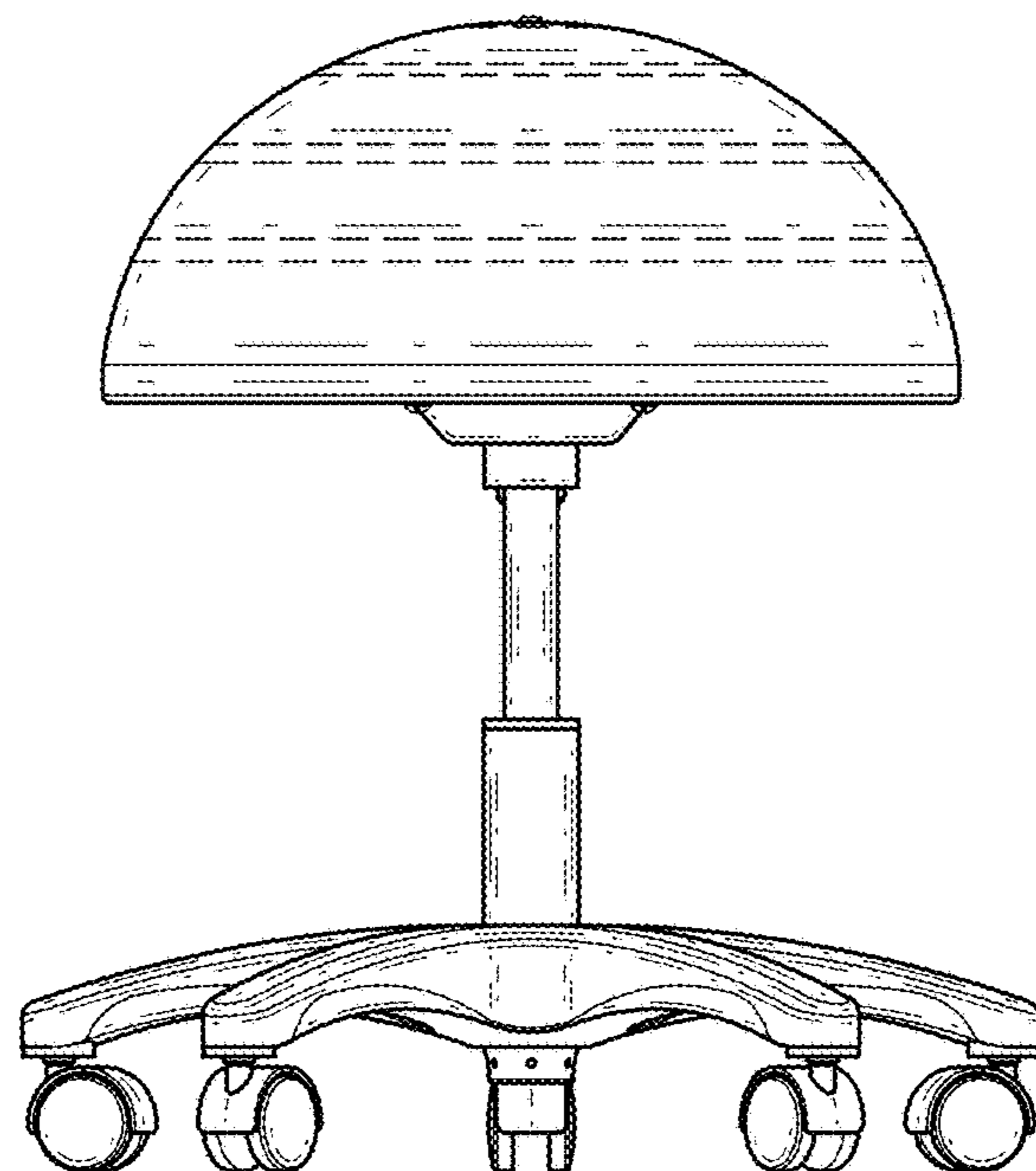


FIG. 3

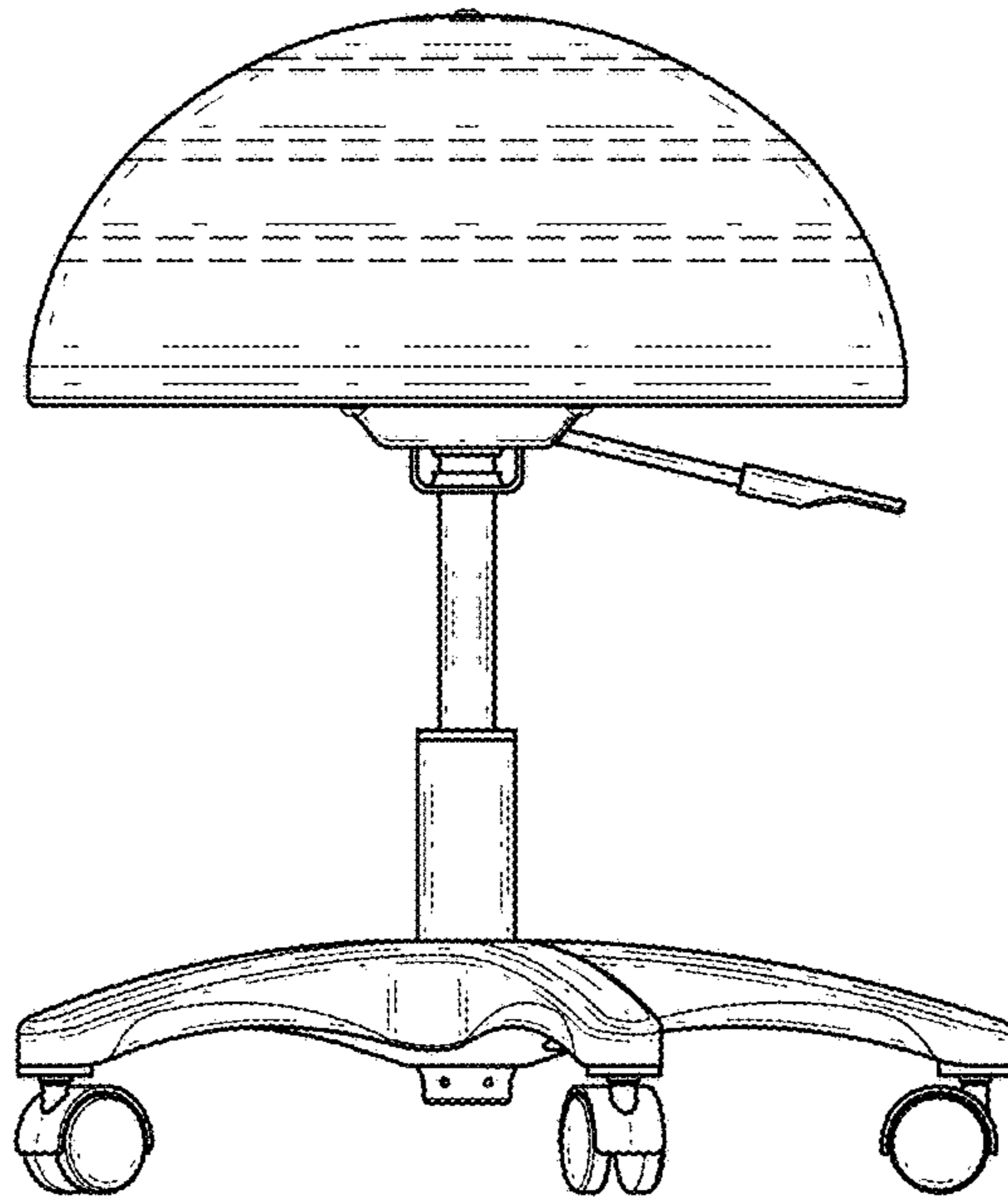


FIG. 4

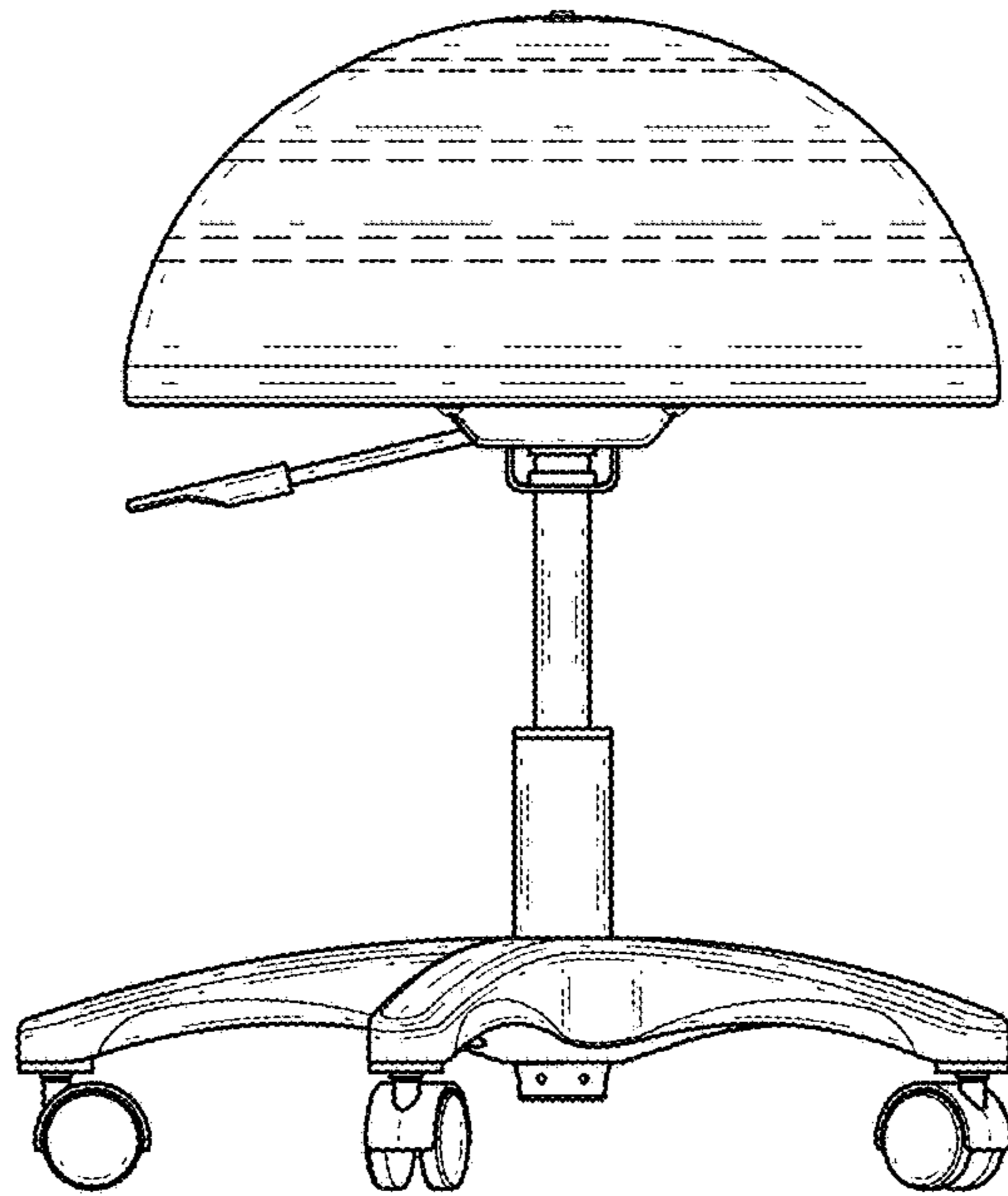


FIG. 5

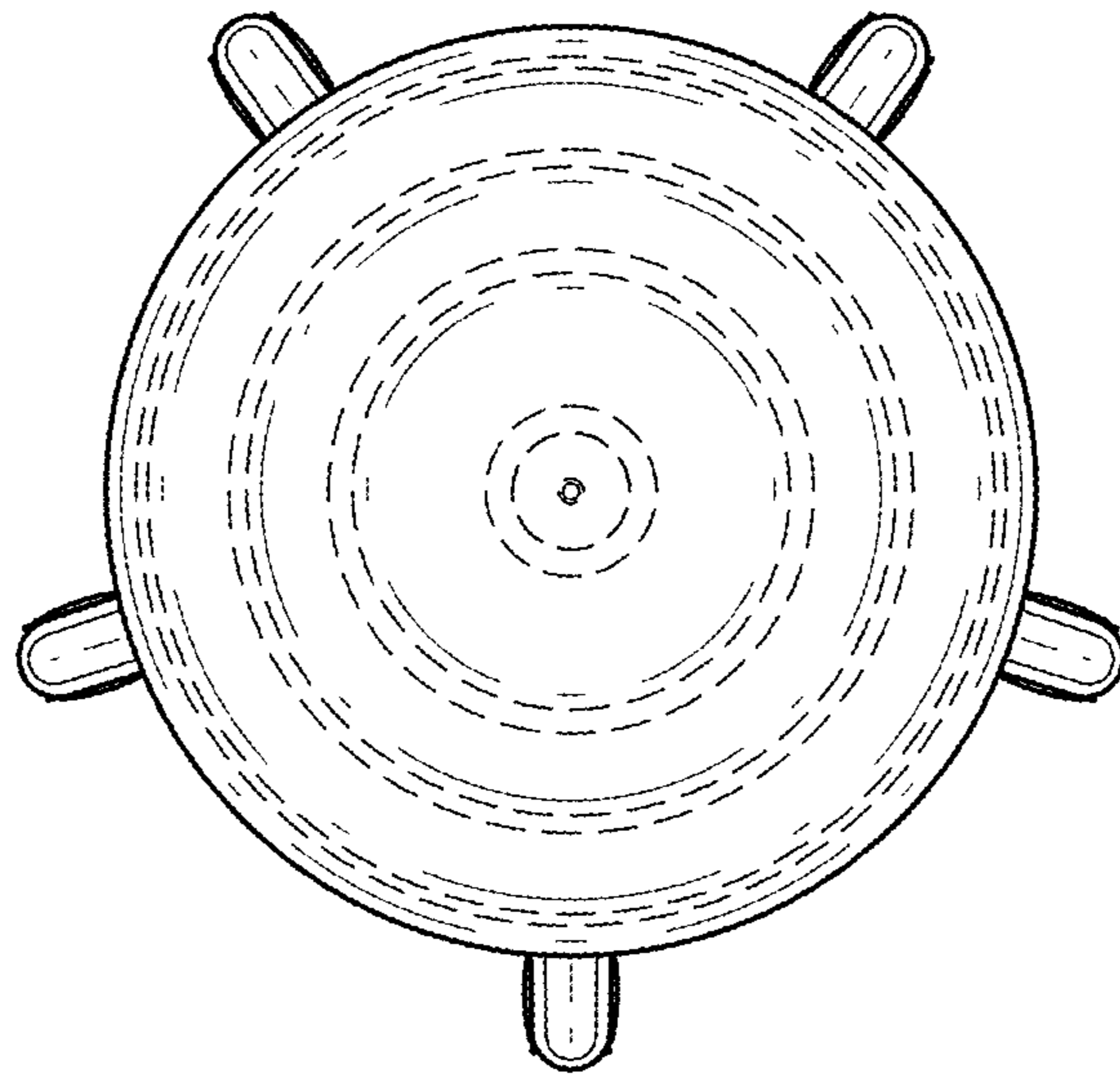


FIG. 6

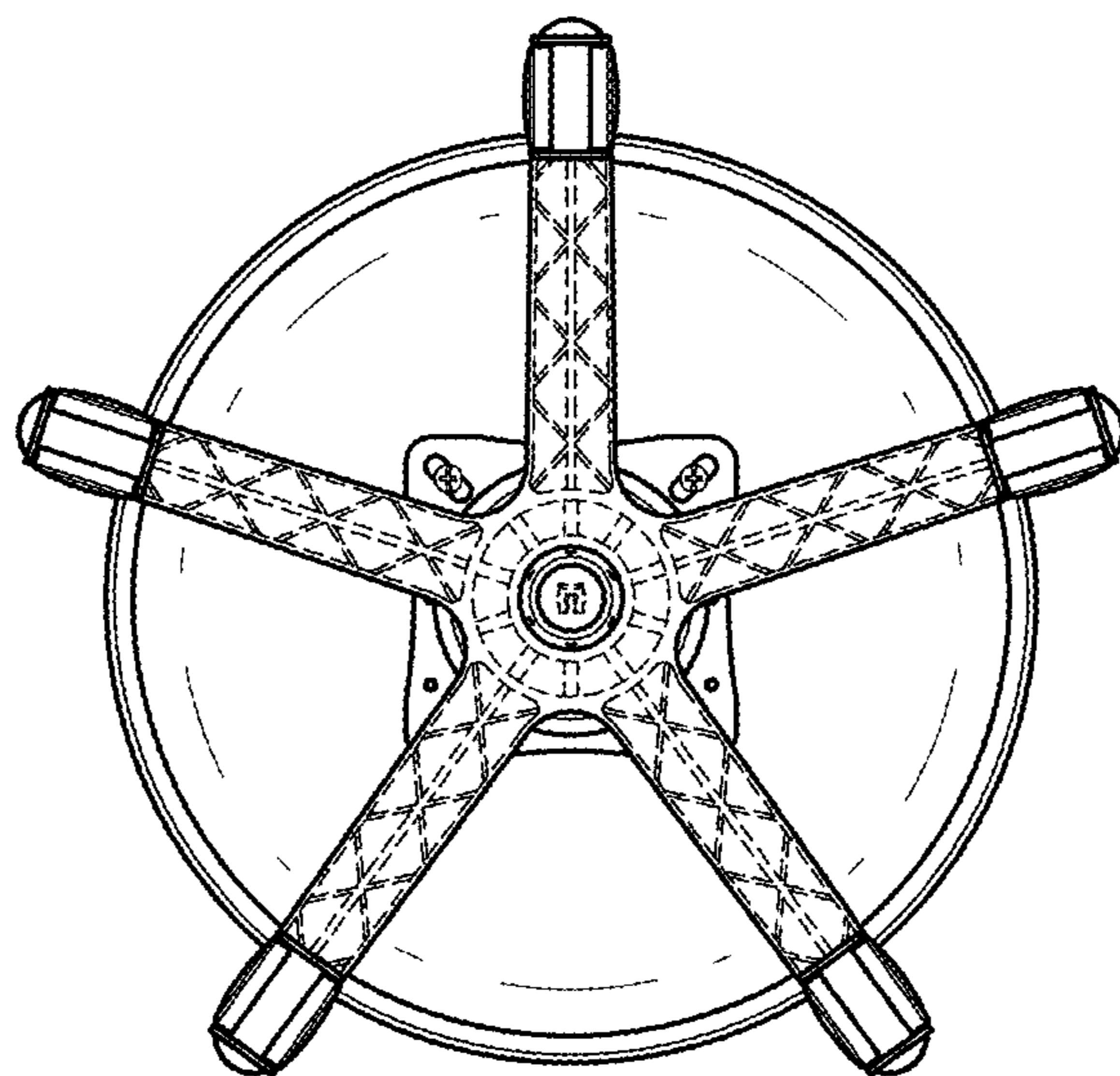


FIG. 7