



US00D829452S

(12) **United States Design Patent**
Kanthasamy

(10) **Patent No.:** **US D829,452 S**
(45) **Date of Patent:** **** Oct. 2, 2018**

- (54) **CONVERTIBLE SOFA**
- (71) Applicant: **Abedan Kanthasamy**, Mississauga (CA)
- (72) Inventor: **Abedan Kanthasamy**, Mississauga (CA)
- (**) Term: **15 Years**
- (21) Appl. No.: **29/598,734**
- (22) Filed: **Mar. 28, 2017**
- (51) **LOC (11) Cl.** **06-01**
- (52) **U.S. Cl.**
USPC **D6/335; D6/381**
- (58) **Field of Classification Search**
USPC D6/334, 335, 336, 338, 342, 360, 367,
D6/368, 369, 371-375, 377, 378, 381,
D6/382, 383
CPC A47D 11/005; A47C 4/02; A47C 17/04;
A47C 17/045; A47C 17/12; A47C 17/13;
A47C 17/16; A47C 17/22; A47C 17/32
See application file for complete search history.

D610,366 S 2/2010 Kanthasamy
D615,315 S 5/2010 Andersen
D616,214 S 5/2010 Andersen
D635,791 S * 4/2011 Kanthasamy D6/381
(Continued)

OTHER PUBLICATIONS

U.S. Appl. No. 29/622,927, filed Oct. 20, 2017.
(Continued)

Primary Examiner — Deanna L Pratt
(74) *Attorney, Agent, or Firm* — Vierra Magen Marcus
LLP

(57) **CLAIM**

The ornamental design of a convertible sofa, as shown and described.

DESCRIPTION

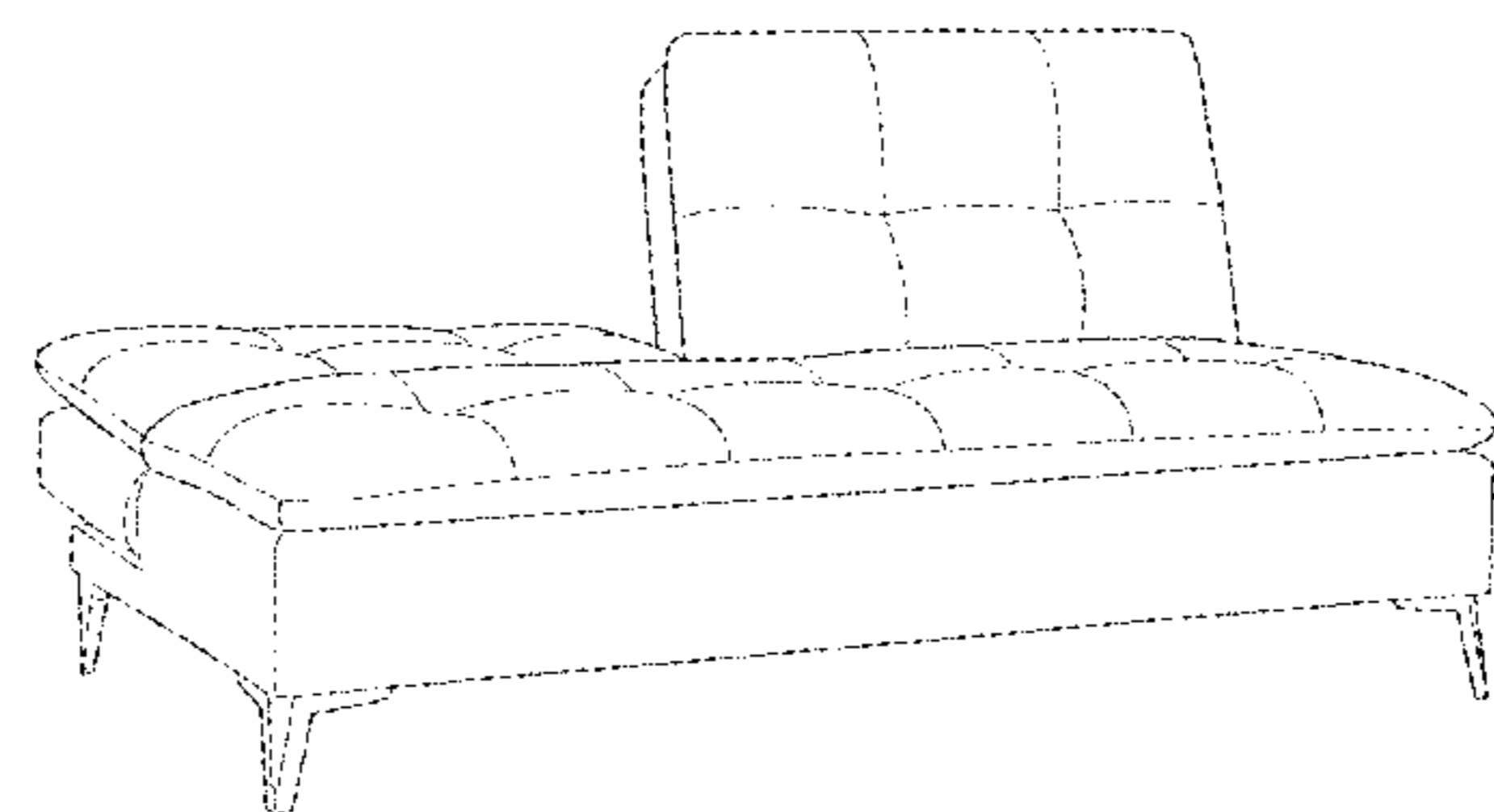
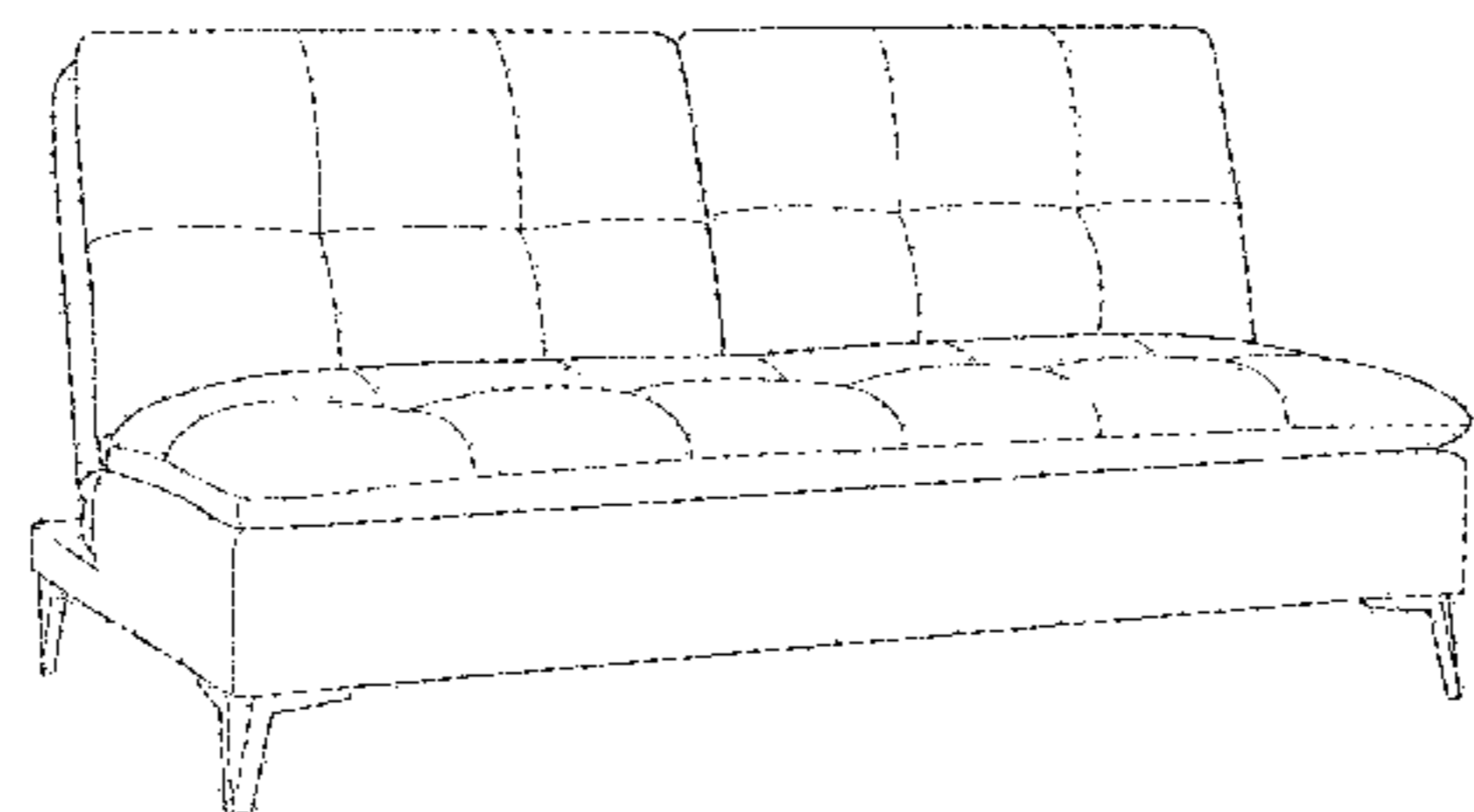
FIG. 1 is a perspective view of a new design of a convertible sofa in a first position;
FIG. 2 is a perspective view of the convertible sofa in a second position;
FIG. 3 is a perspective view of the convertible sofa in a third position;
FIG. 4 is a perspective view of the convertible sofa in a fourth position;
FIG. 5 is a front view of the convertible sofa in the first position;
FIG. 6 is a left side view of the convertible sofa in the first position;
FIG. 7 is a right side view of the convertible sofa in the first position;
FIG. 8 is a top view of the convertible sofa in the first position;
FIG. 9 is a bottom view of the convertible sofa in the first position; and,
FIG. 10 is a back view of the convertible sofa in the first position.

(56) **References Cited**

U.S. PATENT DOCUMENTS

- D180,478 S * 6/1957 Gera D6/334
- D425,711 S * 5/2000 Desombre D6/334
- D431,381 S * 10/2000 Gomez D6/361
- D443,996 S * 6/2001 Nicoletti D6/335
- D444,305 S 7/2001 Mourgue
- D446,962 S * 8/2001 Mourgue D6/335
- D498,075 S 11/2004 Mourgue
- D509,370 S * 9/2005 Natuzzi D6/334
- D525,045 S * 7/2006 Natuzzi D6/381
- D527,198 S * 8/2006 Nicoletti D6/381
- D571,563 S * 6/2008 Natuzzi D6/334
- D577,211 S * 9/2008 Natuzzi D6/334
- D592,883 S * 5/2009 Natuzzi D6/381
- D600,468 S * 9/2009 Natuzzi D6/381
- D603,618 S 11/2009 Weiss
- D603,619 S 11/2009 Weiss
- D604,957 S 12/2009 Weiss

1 Claim, 10 Drawing Sheets



(56)

References Cited

U.S. PATENT DOCUMENTS

D635,793 S 4/2011 Kanthasamy
 D635,794 S 4/2011 Kanthasamy
 D639,084 S 6/2011 Andersen
 D642,820 S 8/2011 Andersen
 D643,226 S * 8/2011 Kanthasamy D6/381
 D652,225 S 1/2012 Andersen
 D652,226 S 1/2012 Andersen
 RE43,754 E 10/2012 Andersen
 D675,460 S 2/2013 Kanthasamy
 D676,680 S 2/2013 Arko et al.
 D677,070 S 3/2013 Kanthasamy
 D677,071 S 3/2013 Kanthasamy
 D677,490 S * 3/2013 Manzoni D6/381
 D686,003 S 7/2013 Arko et al.
 D686,012 S * 7/2013 Korb D6/708
 D693,163 S * 11/2013 Kapka D6/709
 D702,953 S * 4/2014 Beucler D6/334
 D718,552 S 12/2014 Kanthasamy
 D719,755 S 12/2014 Kanthasamy
 D719,756 S 12/2014 Sonmez
 D721,242 S 1/2015 Sonmez
 D730,656 S 6/2015 Urquiola

D731,198 S * 6/2015 Podsiadlo D6/381
 D775,848 S 1/2017 Bettin
 D785,359 S * 5/2017 Massaud D6/381
 D799,221 S * 10/2017 Pathiratne D6/335
 D799,222 S * 10/2017 Pathiratne D6/335
 D804,834 S 12/2017 Kanthasamy
 D810,451 S * 2/2018 Liu D6/335

OTHER PUBLICATIONS

U.S. Appl. No. 29/630,749, filed Dec. 22, 2017.
 U.S. Appl. No. 29/630,754, filed Dec. 22, 2017.
 U.S. Appl. No. 29/630,755, filed Dec. 22, 2017.
 U.S. Appl. No. 29/630,756, filed Dec. 22, 2017.
 U.S. Appl. No. 29/630,758, filed Dec. 22, 2017.
 Amendment filed Nov. 16, 2017, in U.S. Appl. No. 29/622,927, filed Oct. 20, 2017.
 Office Action dated Jun. 29, 2017, U.S. Appl. No. 29/565,041, filed May 17, 2016.
 Amendment dated Jul. 28, 2017, U.S. Appl. No. 29/565,041, filed May 17, 2016.
 Notice of Allowance dated Sep. 11, 2017, U.S. Appl. No. 29/565,041, filed May 17, 2016.

* cited by examiner

FIGURE 1

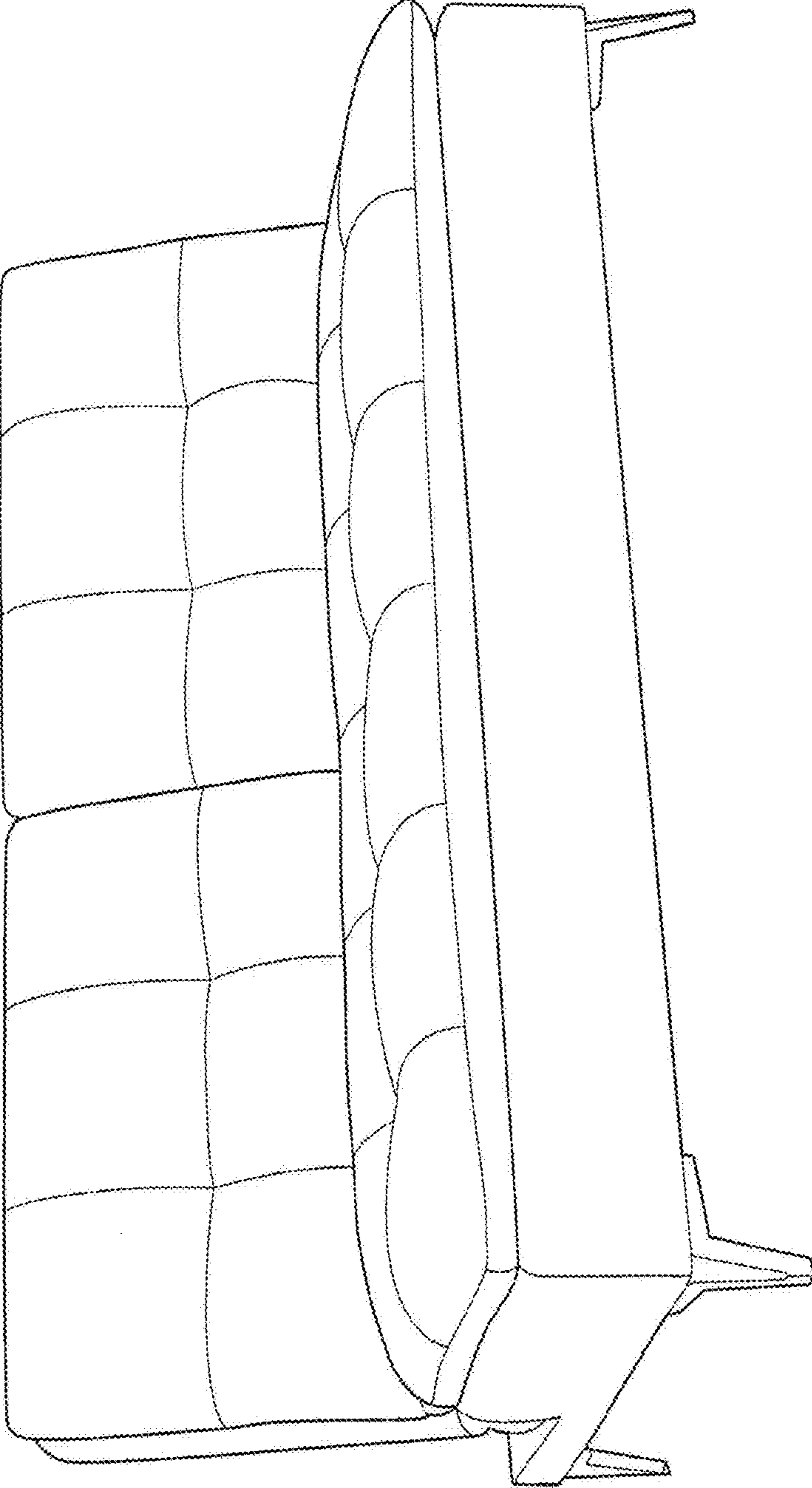


FIGURE 2

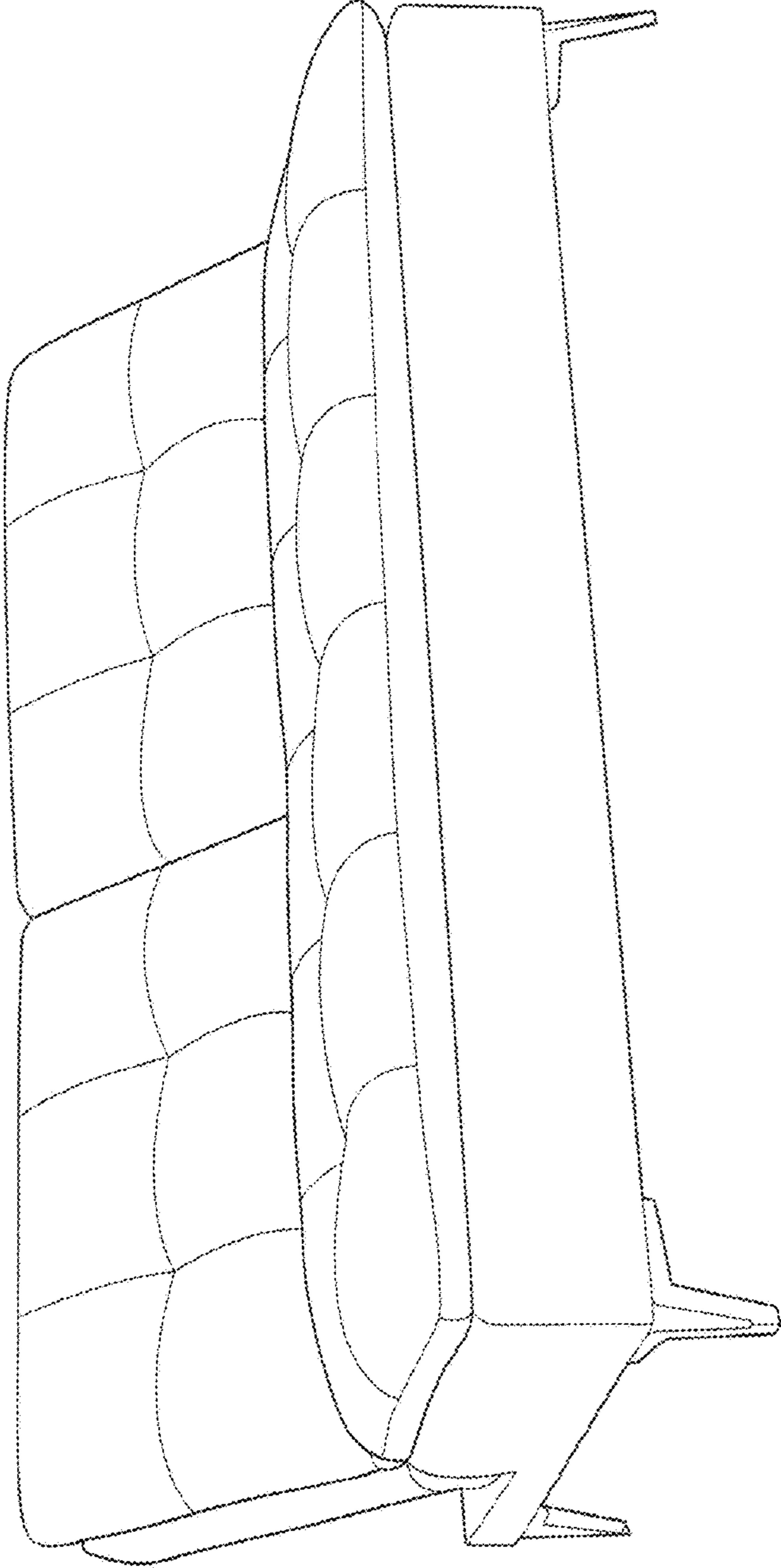


FIGURE 3

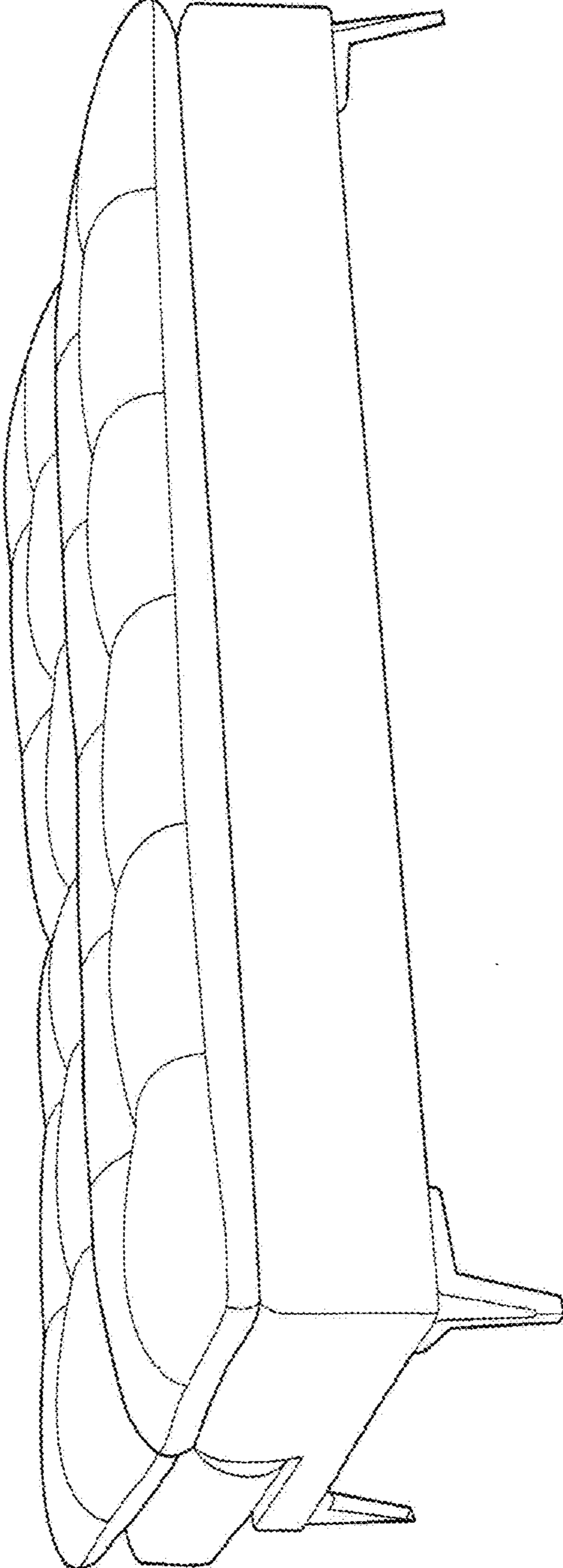


FIGURE 4

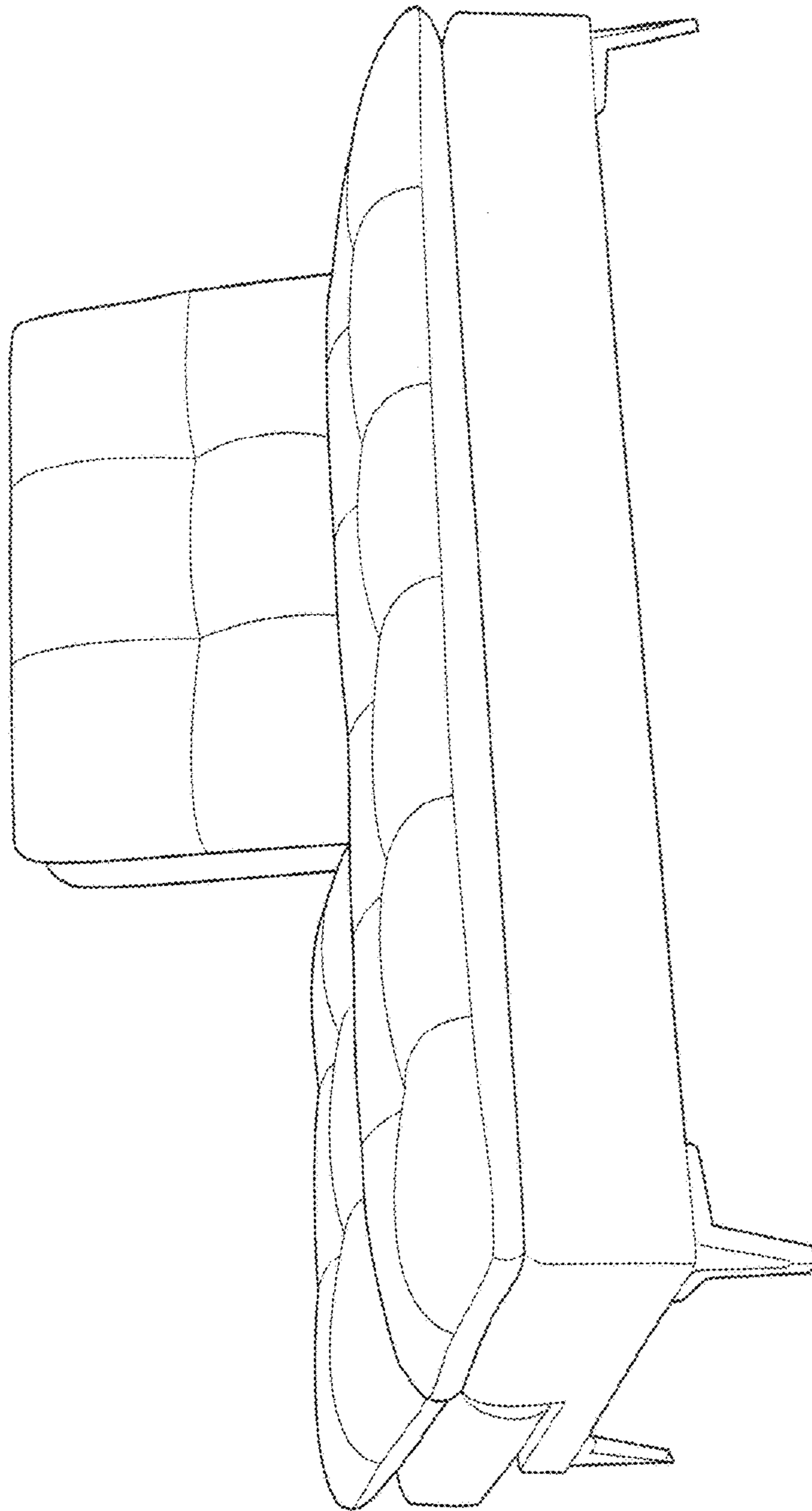


FIGURE 5

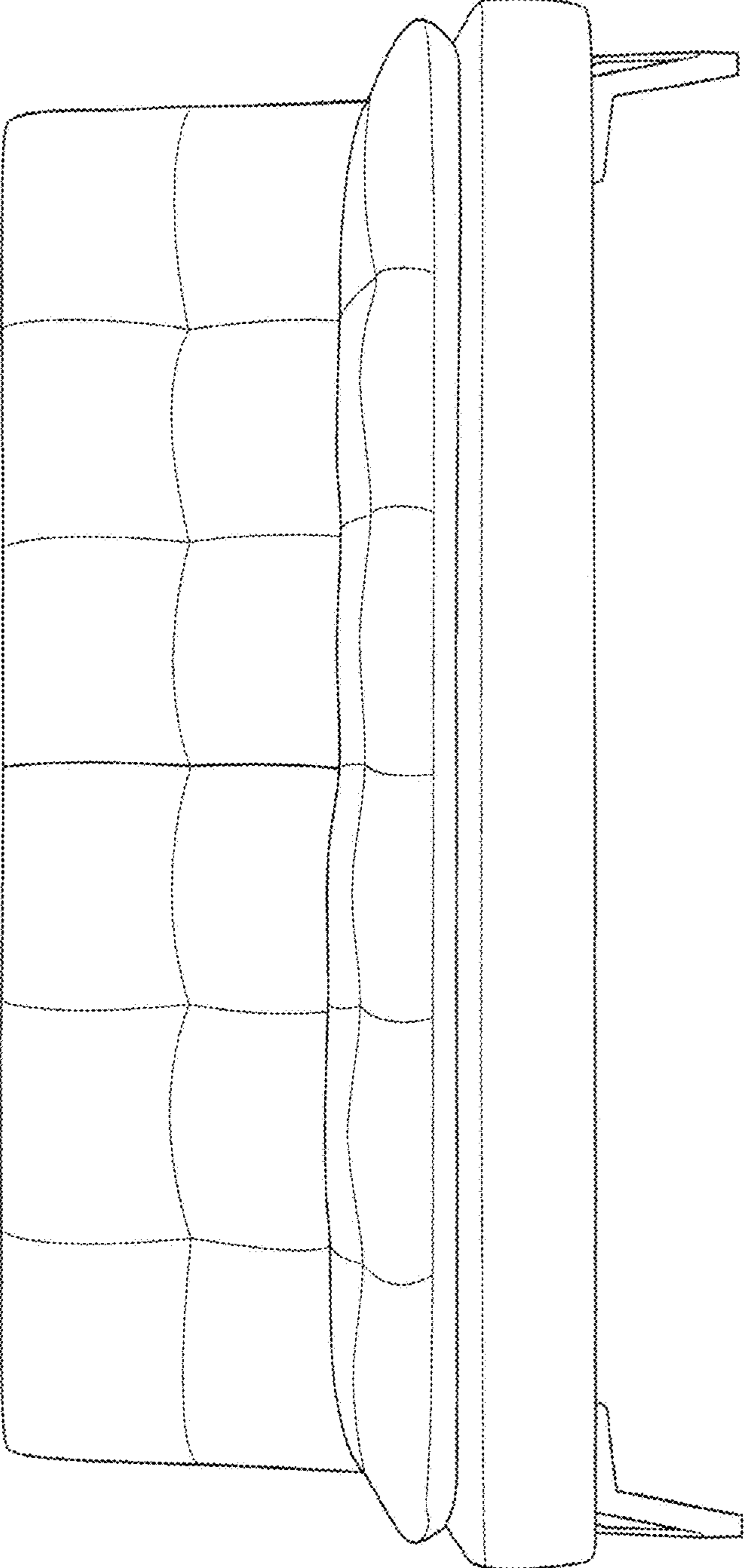


FIGURE 6

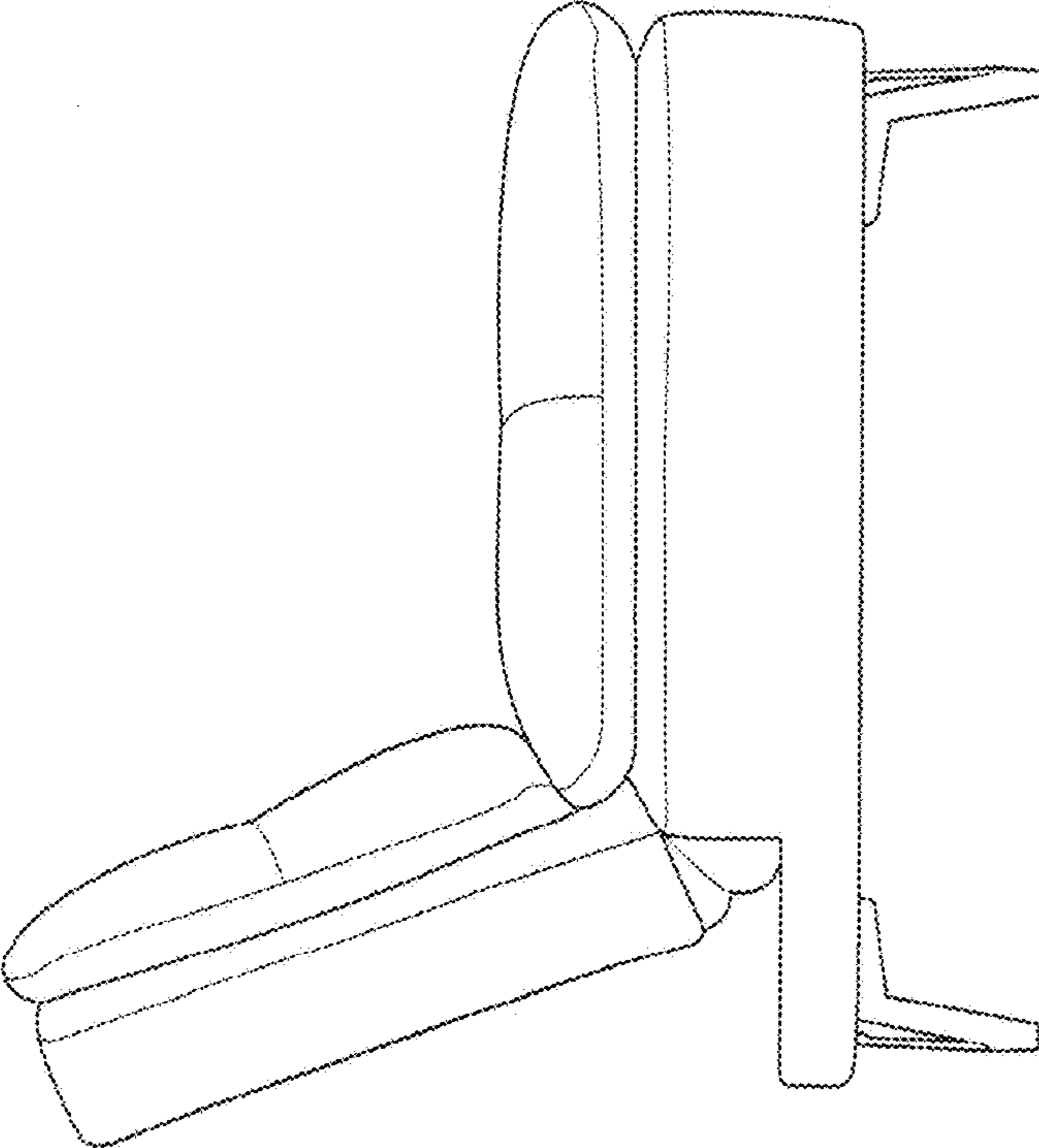


FIGURE 7

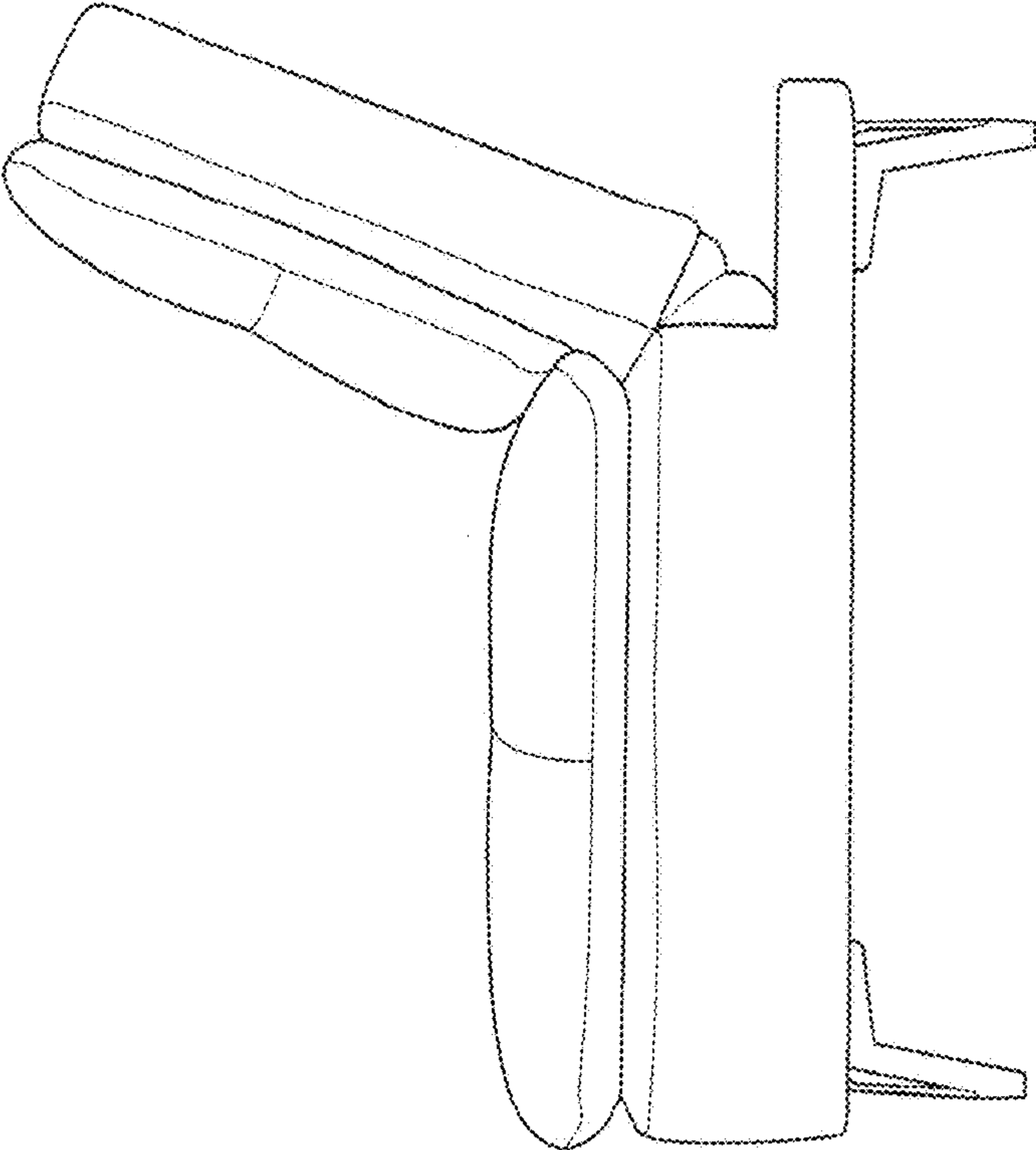


FIGURE 8

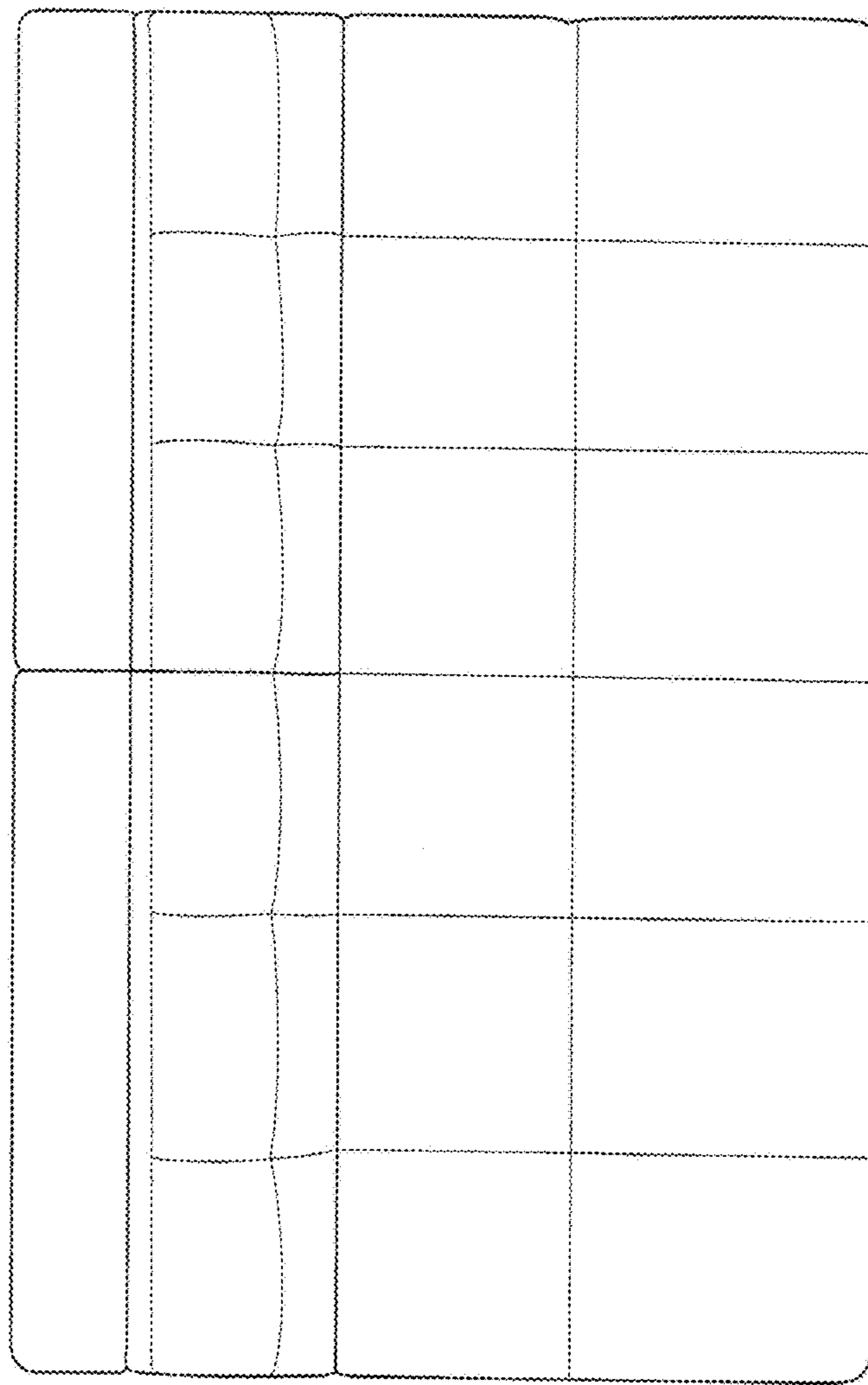


FIGURE 9

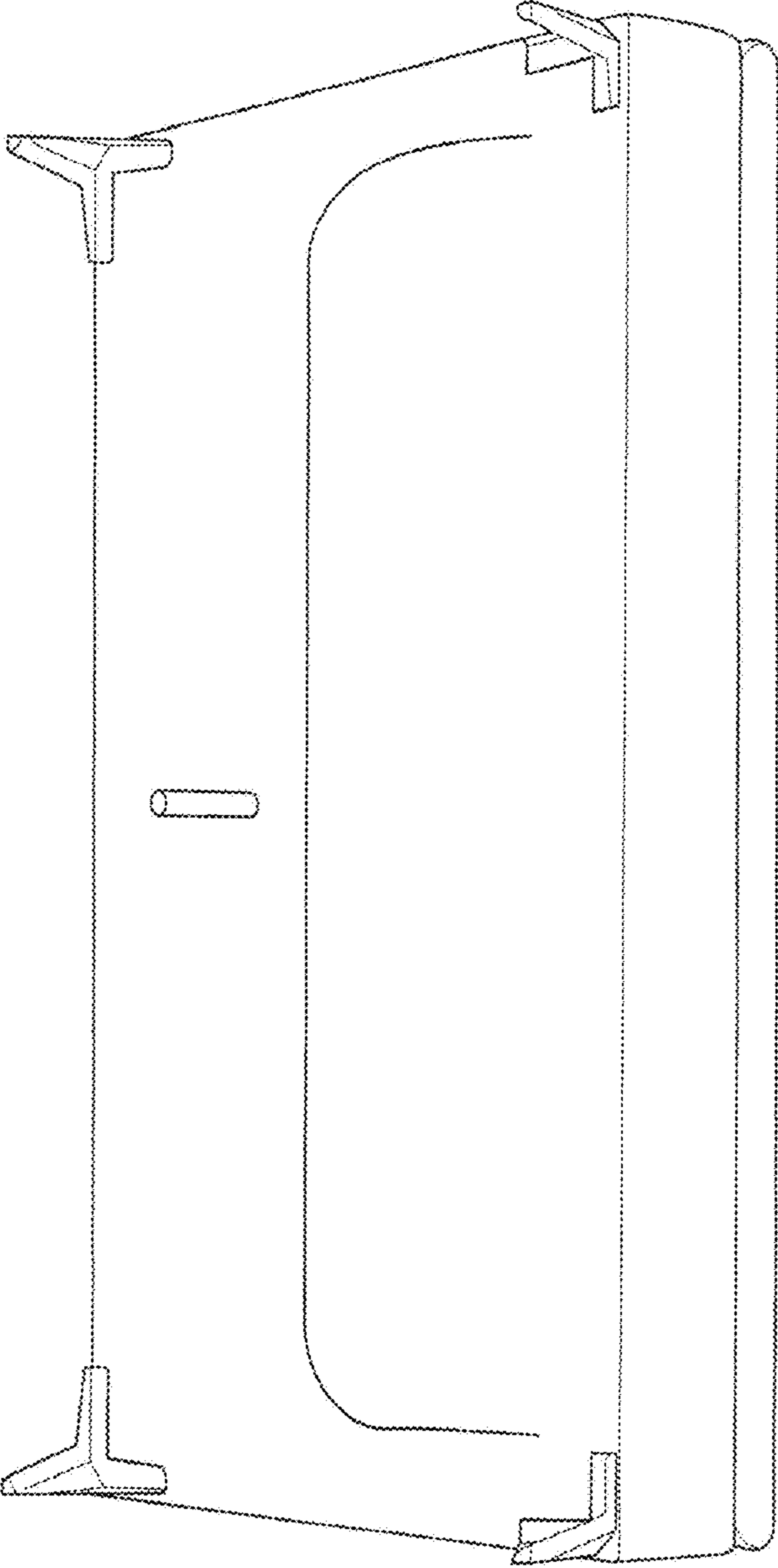


FIGURE 10

