



US00D829450S

(12) **United States Design Patent**
Manente et al.

(10) **Patent No.:** **US D829,450 S**
(45) **Date of Patent:** **** Oct. 2, 2018**

(54) **WORK STATION FURNITURE**

(71) Applicant: **KOLEKSIYON MOBILYA SANAYI ANONIM SIRKETI**, Sariyer Istanbul (TR)

(72) Inventors: **Giuseppe Manente**, Istanbul (TR);
Abramo Mion, Istanbul (TR)

(**) Term: **15 Years**

(21) Appl. No.: **35/501,062**

(22) Filed: **Oct. 20, 2015**

(80) **Hague Agreement Data**

Int. Filing Date: **Oct. 20, 2015**

Int. Reg. No.: **DM/090859**

Int. Reg. Date: **Oct. 20, 2015**

Int. Reg. Pub. Date: **Jun. 10, 2016**

(51) **LOC (11) Cl.** **06-06**

(52) **U.S. Cl.**

USPC **D6/332**

(58) **Field of Classification Search**

USPC D6/329, 332, 641-643, 643.1, 644;
D25/58

(Continued)

(56) **References Cited**

U.S. PATENT DOCUMENTS

D449,169 S * 10/2001 Bennie D6/332

D513,564 S * 1/2006 Nobles D6/332

(Continued)

Primary Examiner — Mary Ann Calabrese

(57) **CLAIM**

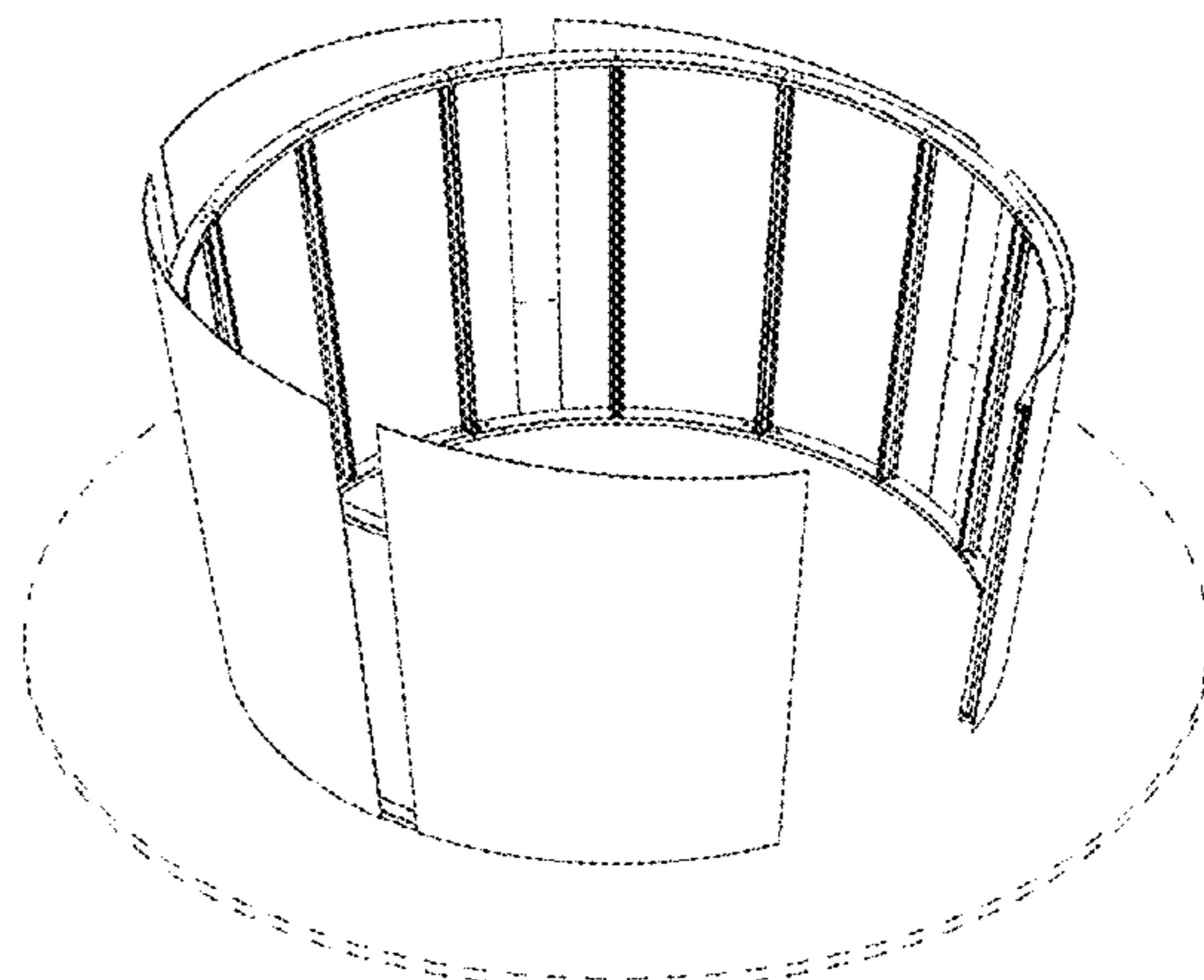
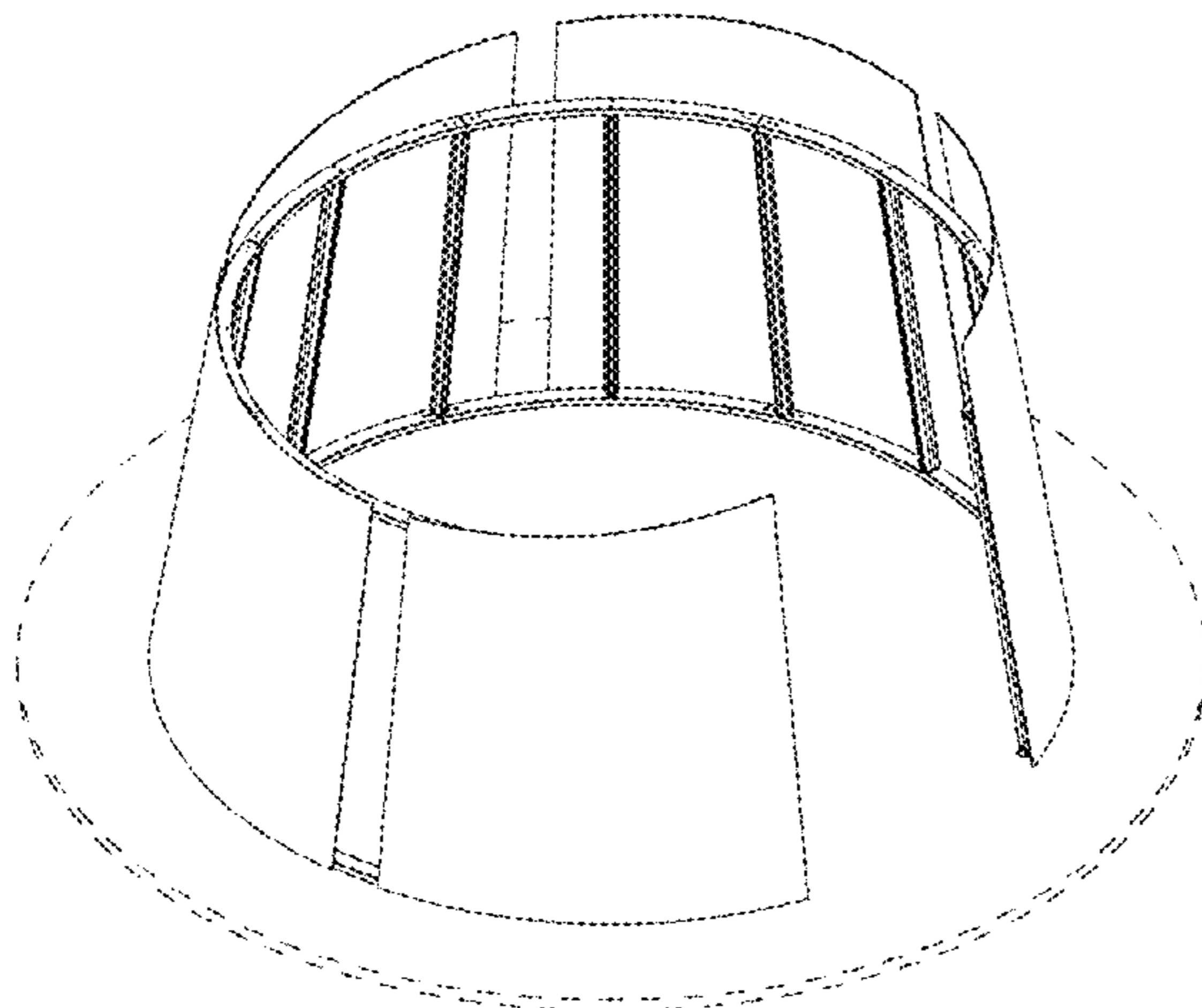
The ornamental design for a work station furniture, as shown and described.

DESCRIPTION

- 1. Workstation furniture
- 4. Workstation furniture

- 8. Workstation furniture
- 11. Workstation furniture
- 12. Workstation furniture
- 1.1 is a perspective view of a first work station furniture showing our design;
- 1.2 is a first side elevation view of the work station furniture of 1.1;
- 1.3 is a front elevation view of the work station furniture of 1.1;
- 1.4 is a top plan view of the work station furniture of 1.1;
- 4.1 is a perspective view of a second work station furniture showing our design;
- 4.2 is a first side elevation view of the work station furniture of 4.1;
- 4.3 is a top plan view of the work station furniture of 4.1;
- 4.4 is a front elevation view of the work station furniture of 4.1;
- 8.1 is a perspective view of a third work station furniture showing our design;
- 8.2 is a front elevation view of the work station furniture of 8.1;
- 8.3 is a first side elevation view of the work station furniture of 8.1;
- 8.4 is a top plan view of the work station furniture of 8.1;
- 11.1 is a perspective view of a fourth work station furniture showing our design;
- 11.2 is a top plan view of the work station furniture of 11.1;
- 11.3 is a front elevation view of the work station furniture of 11.1;
- 11.4 is a first side elevation view of the work station furniture of 11.1;
- 12.1 is a perspective view of a fifth work station furniture showing our design;
- 12.2 is a front elevation view of the work station furniture of 12.1;
- 12.3 is a first side elevation view of the work station furniture of 12.1; and
- 12.4 is a top plan view of the work station furniture of 12.1. The broken lines show portions of the work station furniture that form no part of the claimed design.

1 Claim, 20 Drawing Sheets



(58) **Field of Classification Search**

CPC A47B 87/00; A47B 96/04; A47B 96/02;
A47B 2200/01; A47B 2200/0066; A47B
2200/0071; A47B 2200/007; E04B 2/72;
E04B 2/7416

See application file for complete search history.

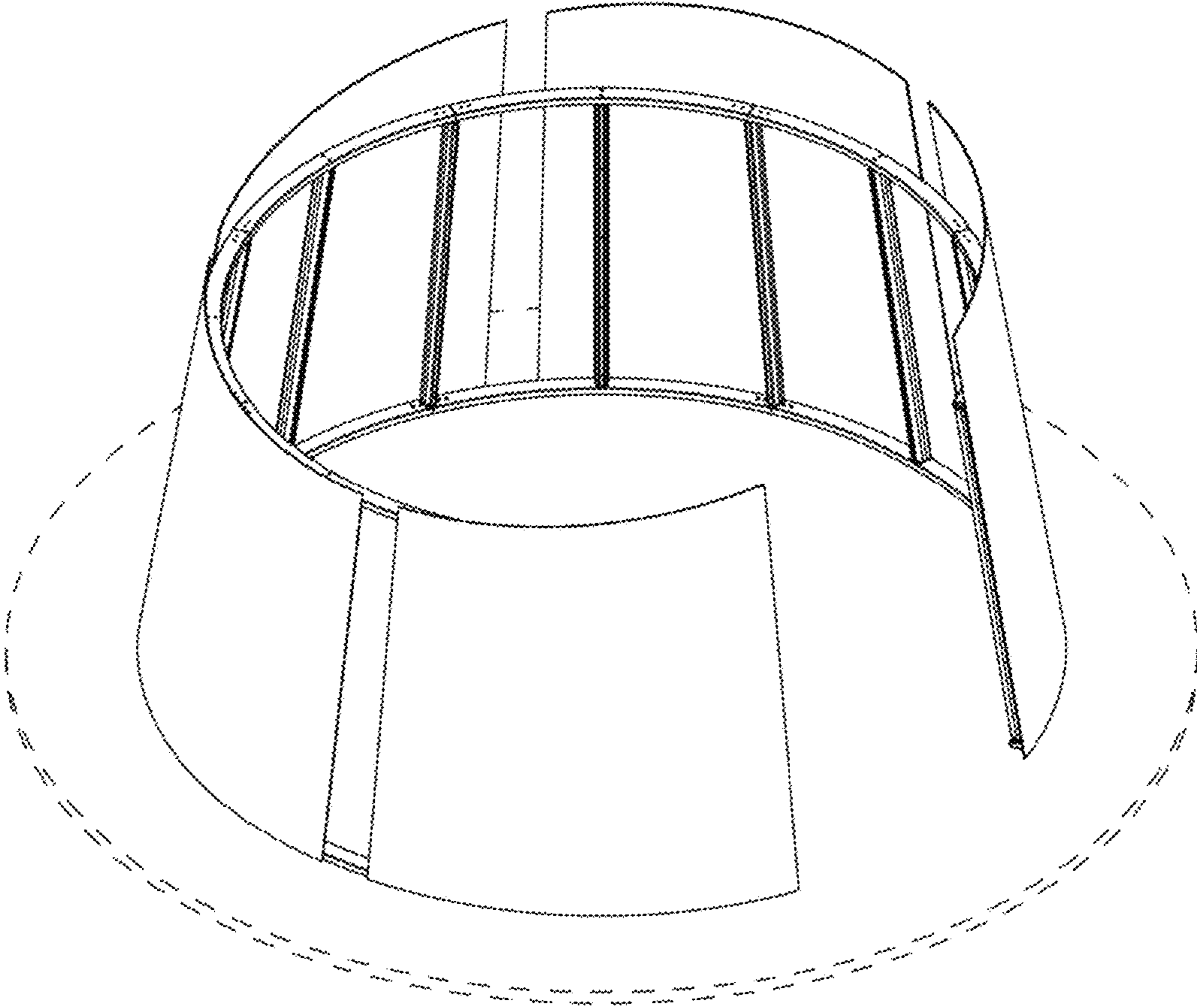
(56) **References Cited**

U.S. PATENT DOCUMENTS

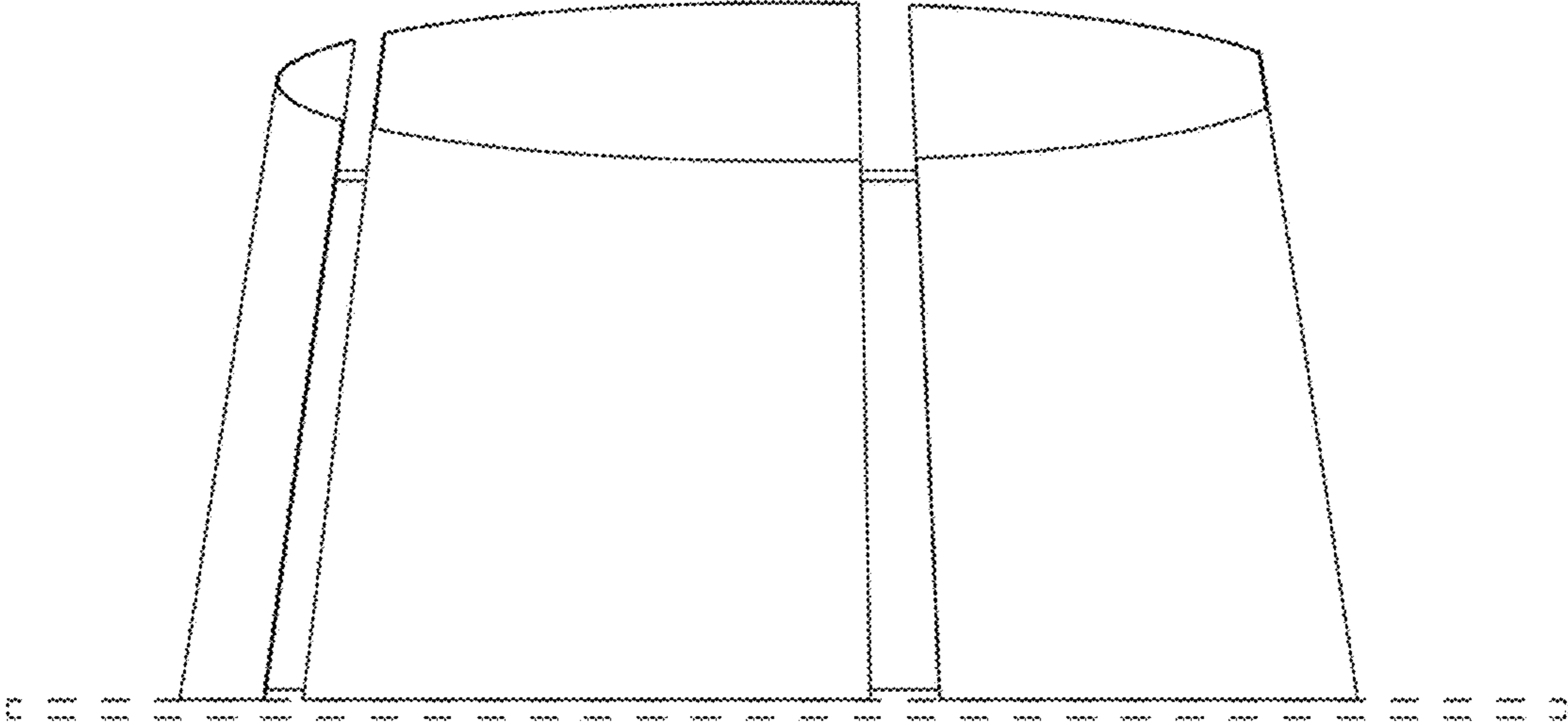
D520,263	S	*	5/2006	Nobles	D6/332
D527,917	S	*	9/2006	McHugh	D6/332
D530,104	S	*	10/2006	Saffell	D6/332
D659,427	S	*	5/2012	Nicolas	D6/644
9,403,400	B2	*	8/2016	McManus		
D785,374	S	*	5/2017	Holbrook	D6/643
D791,513	S	*	7/2017	Holbrook	D6/643
2006/0283098	A1	*	12/2006	Golino	A47B 87/00 52/36.1
2007/0261315	A1	*	11/2007	Ludwig	E04B 2/7416 52/28

* cited by examiner

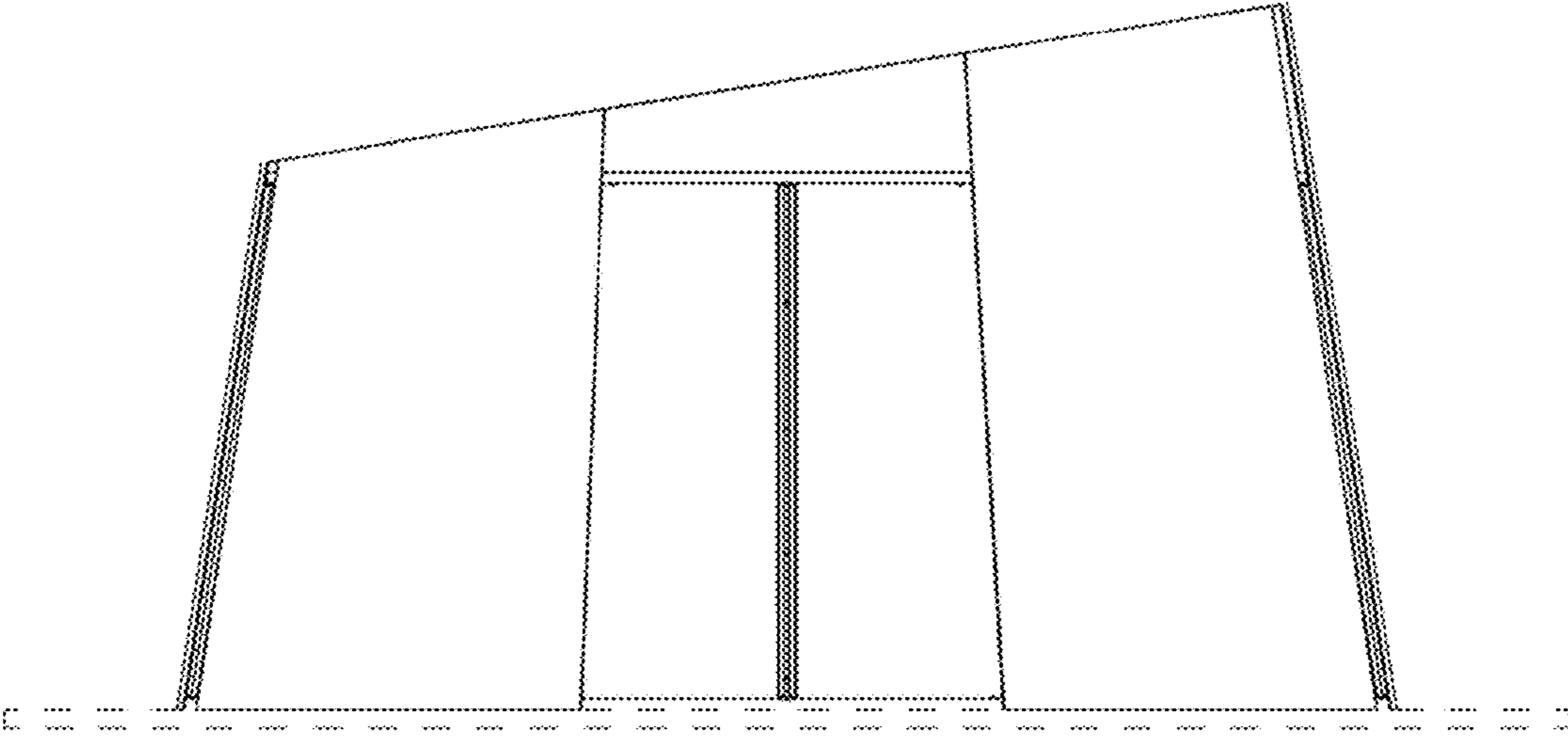
1.1



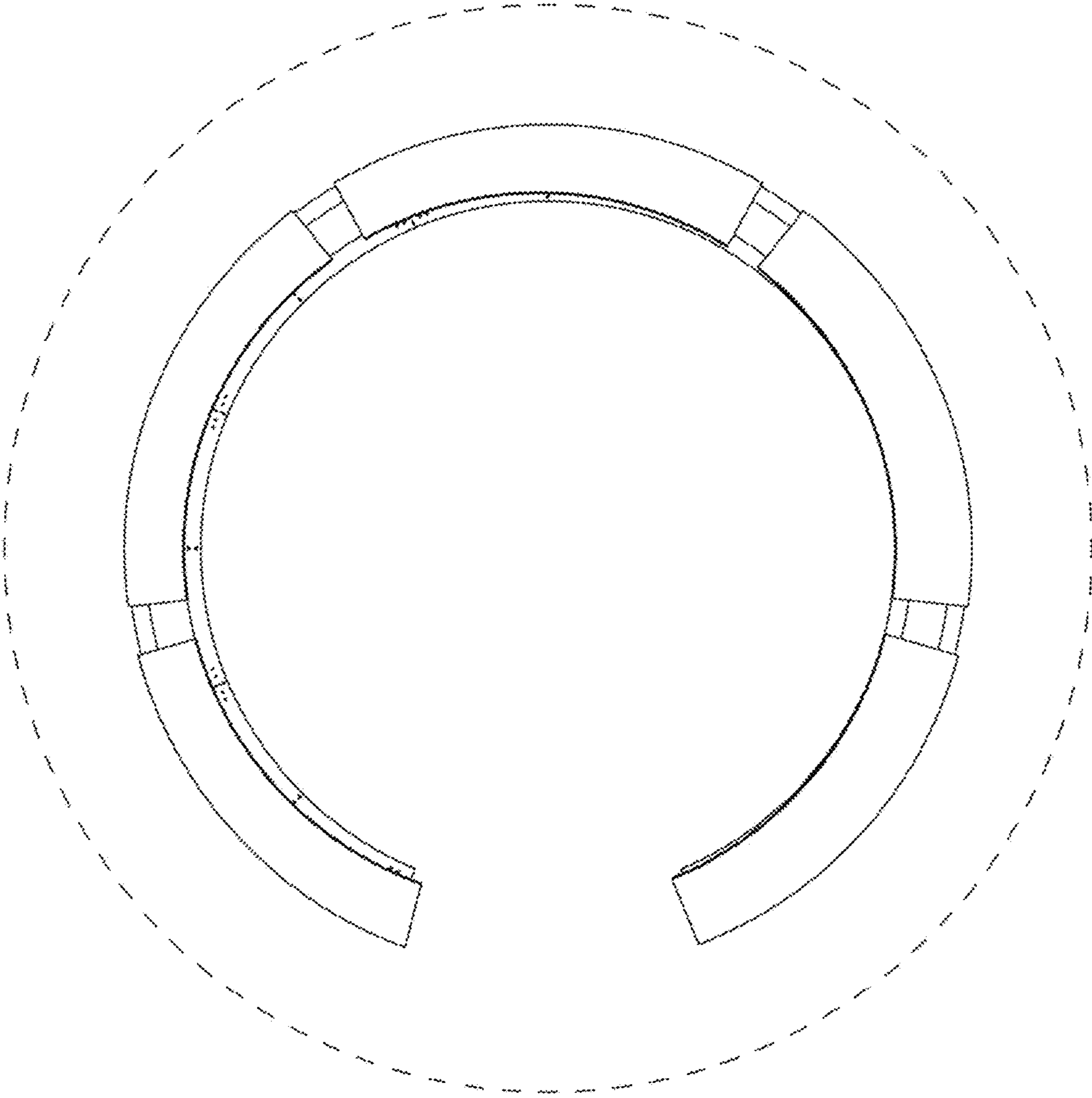
1.2



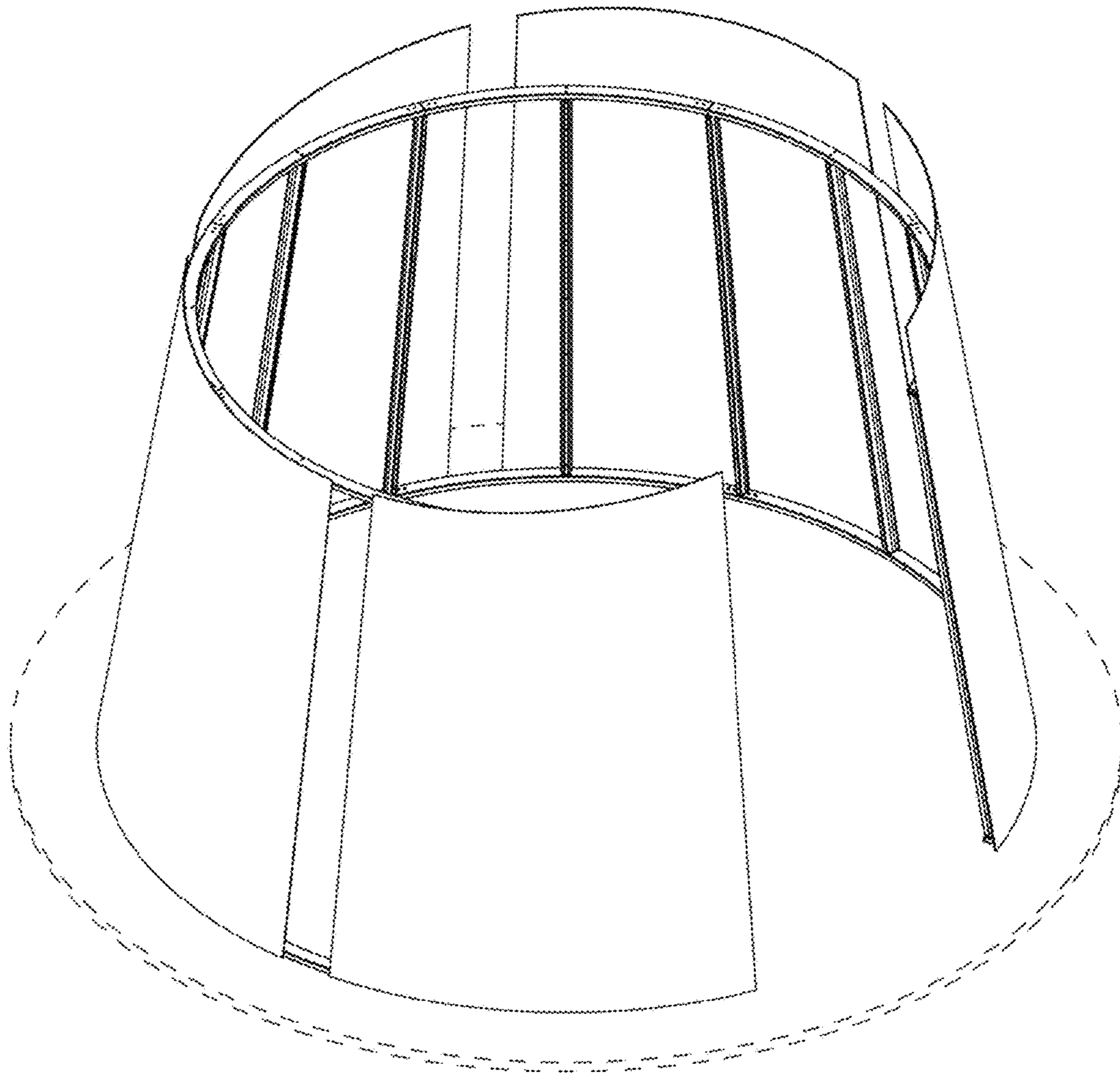
1.3



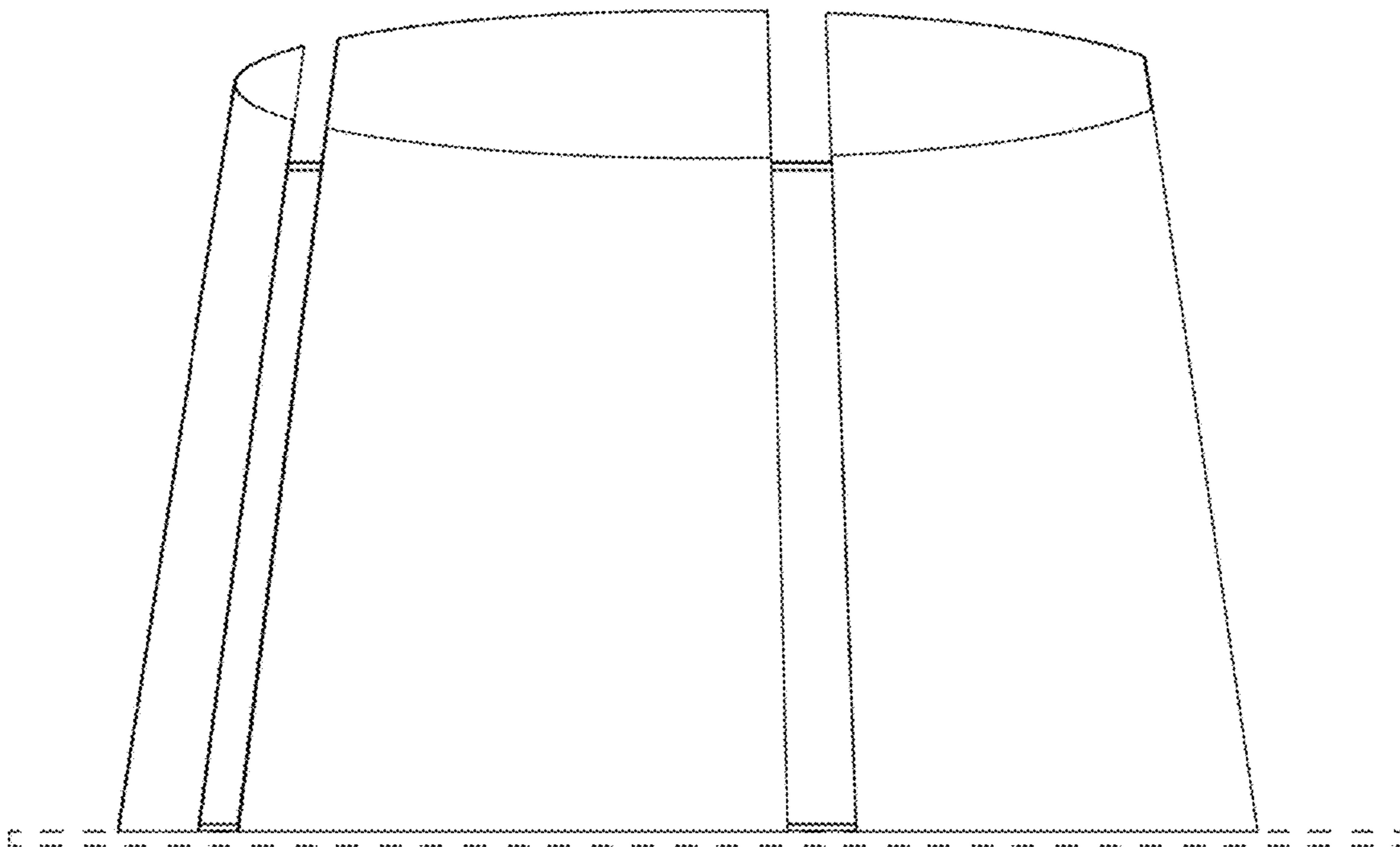
1.4



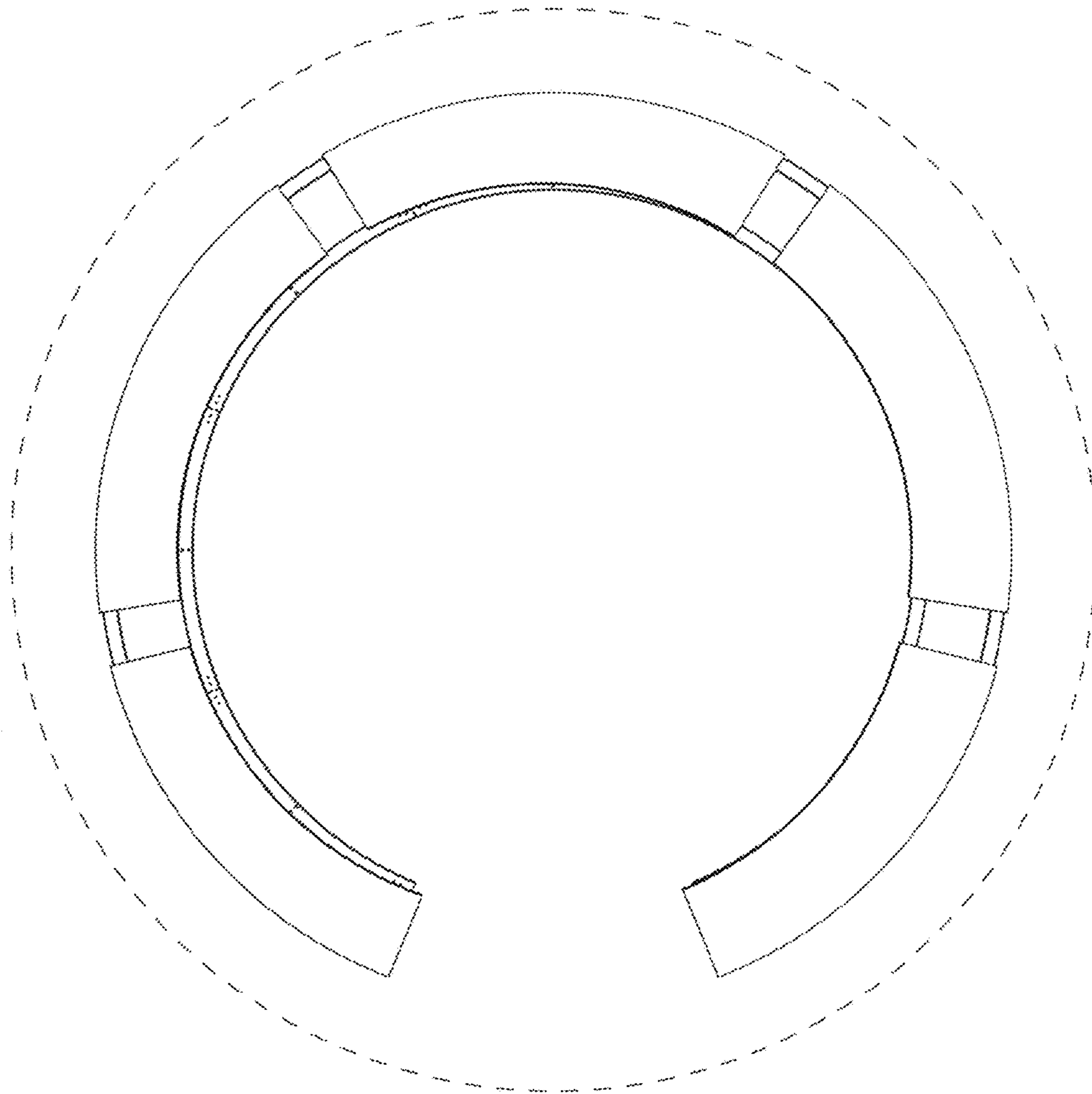
4.1



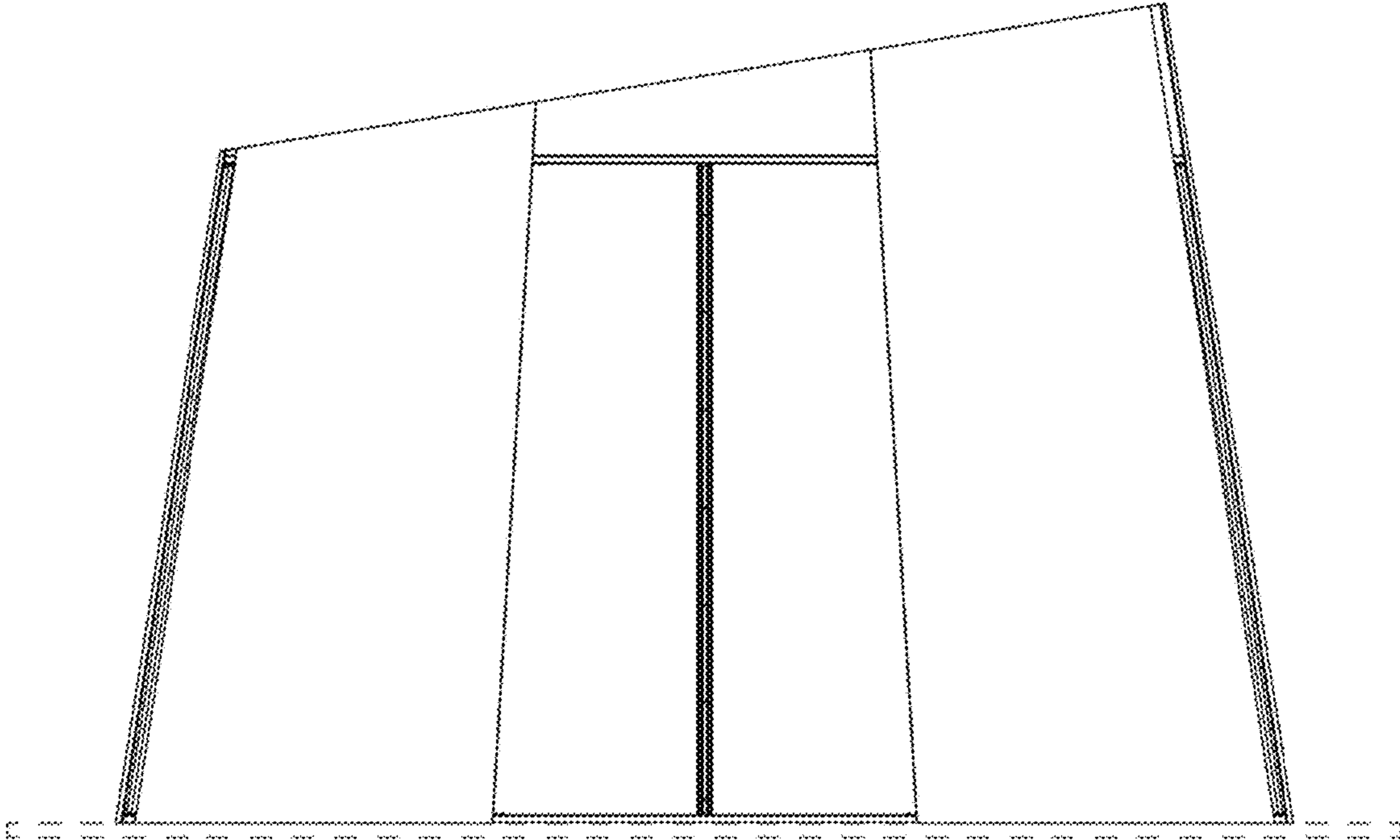
4.2



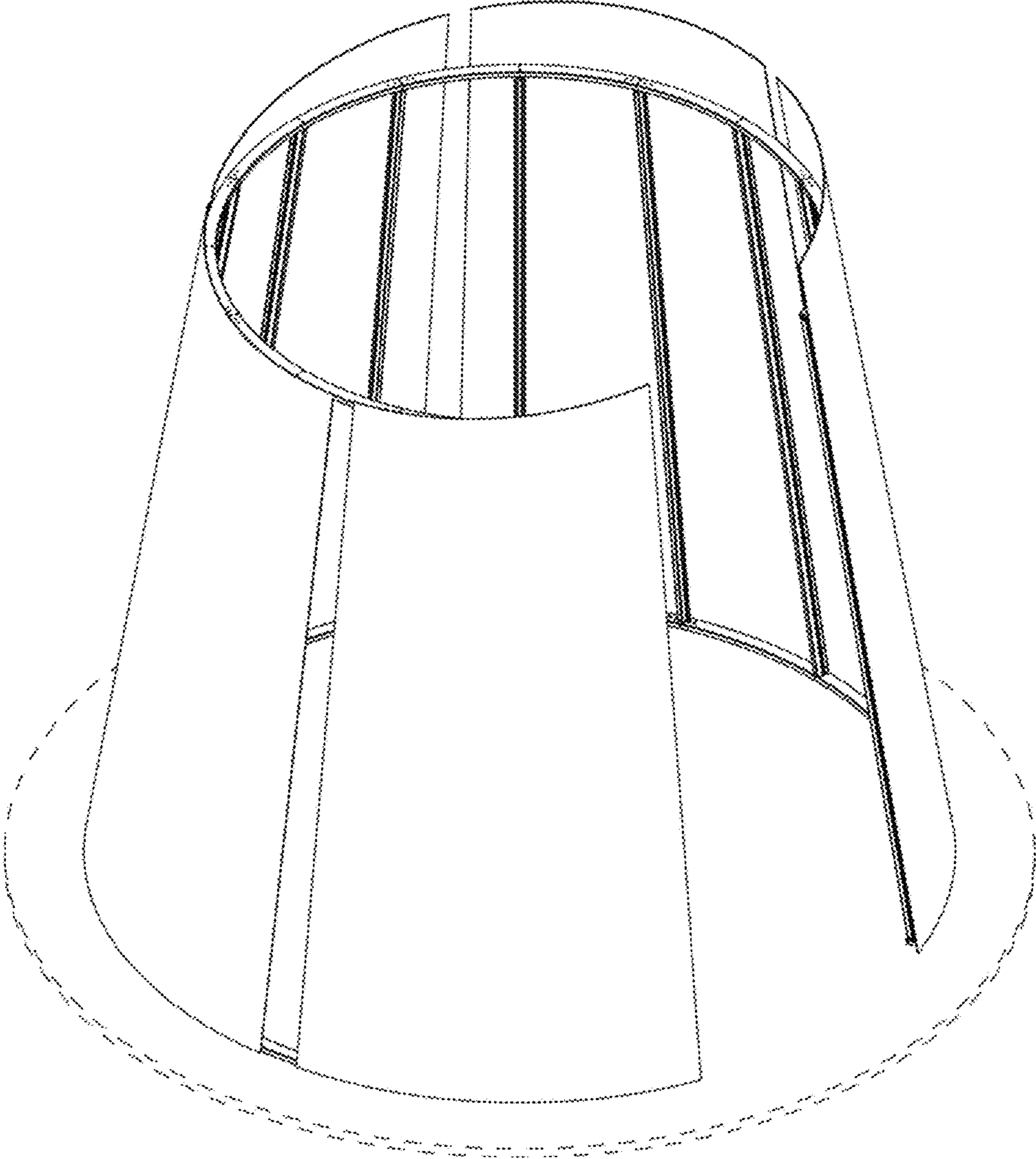
4.3



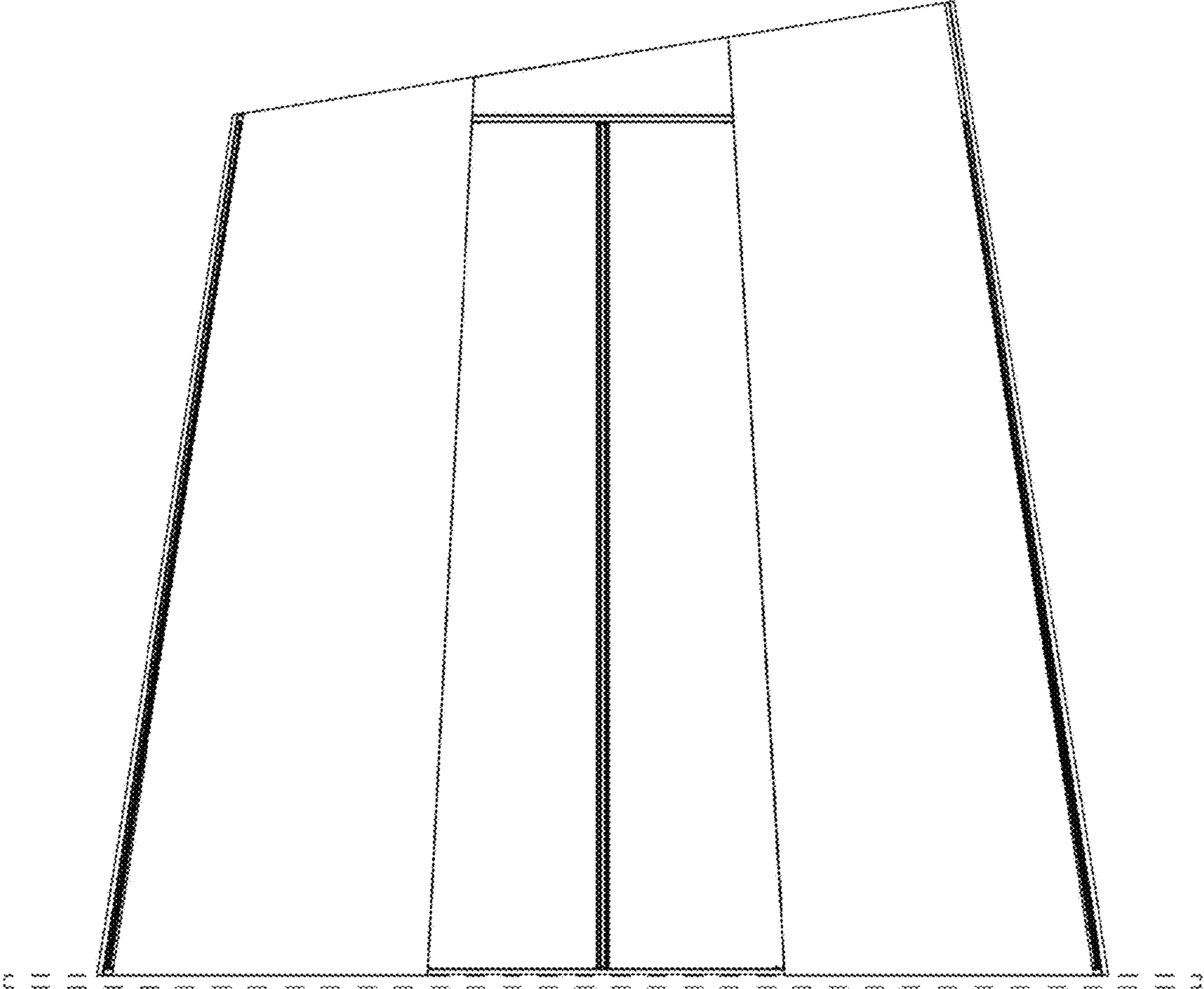
4.4



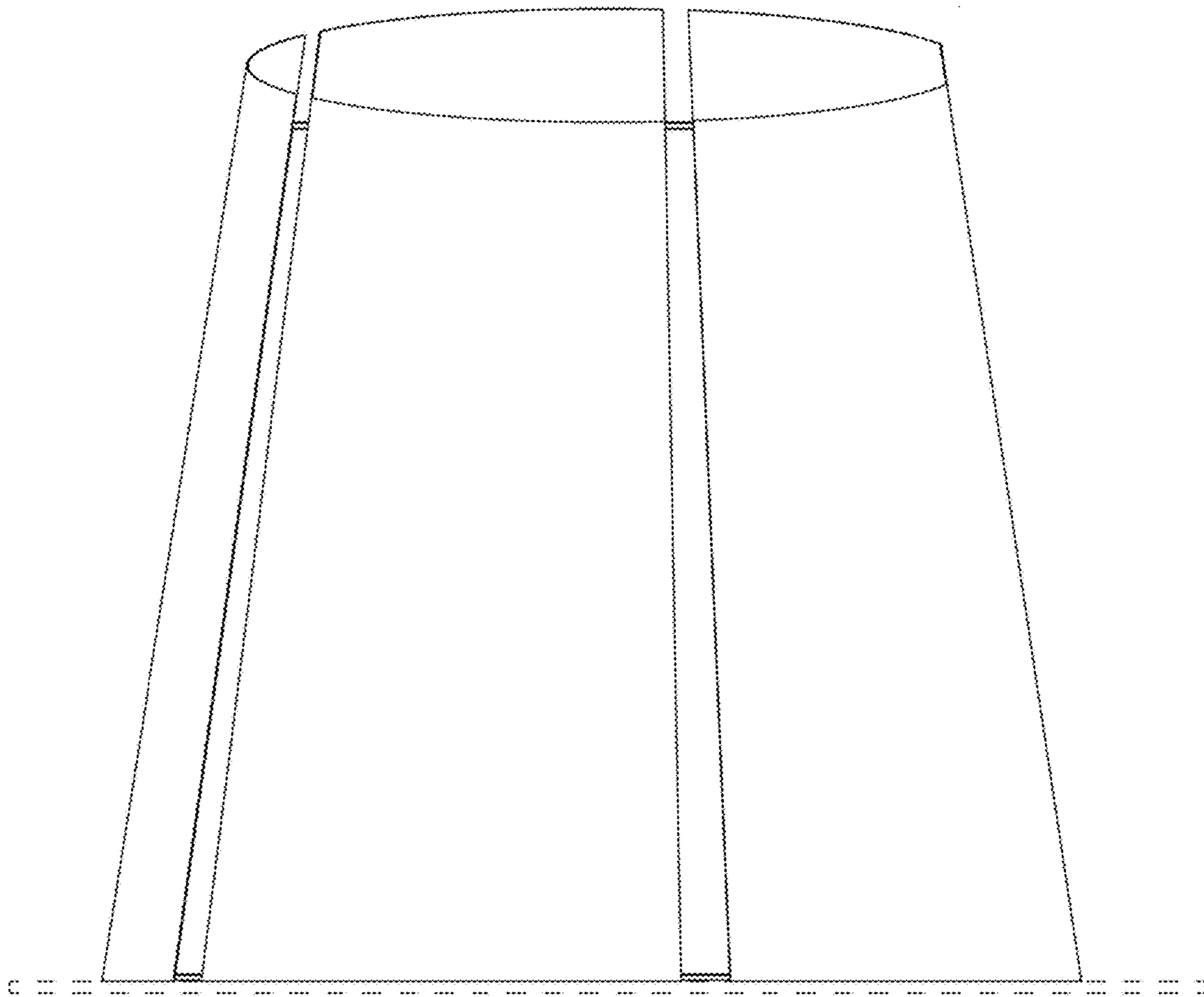
8.1



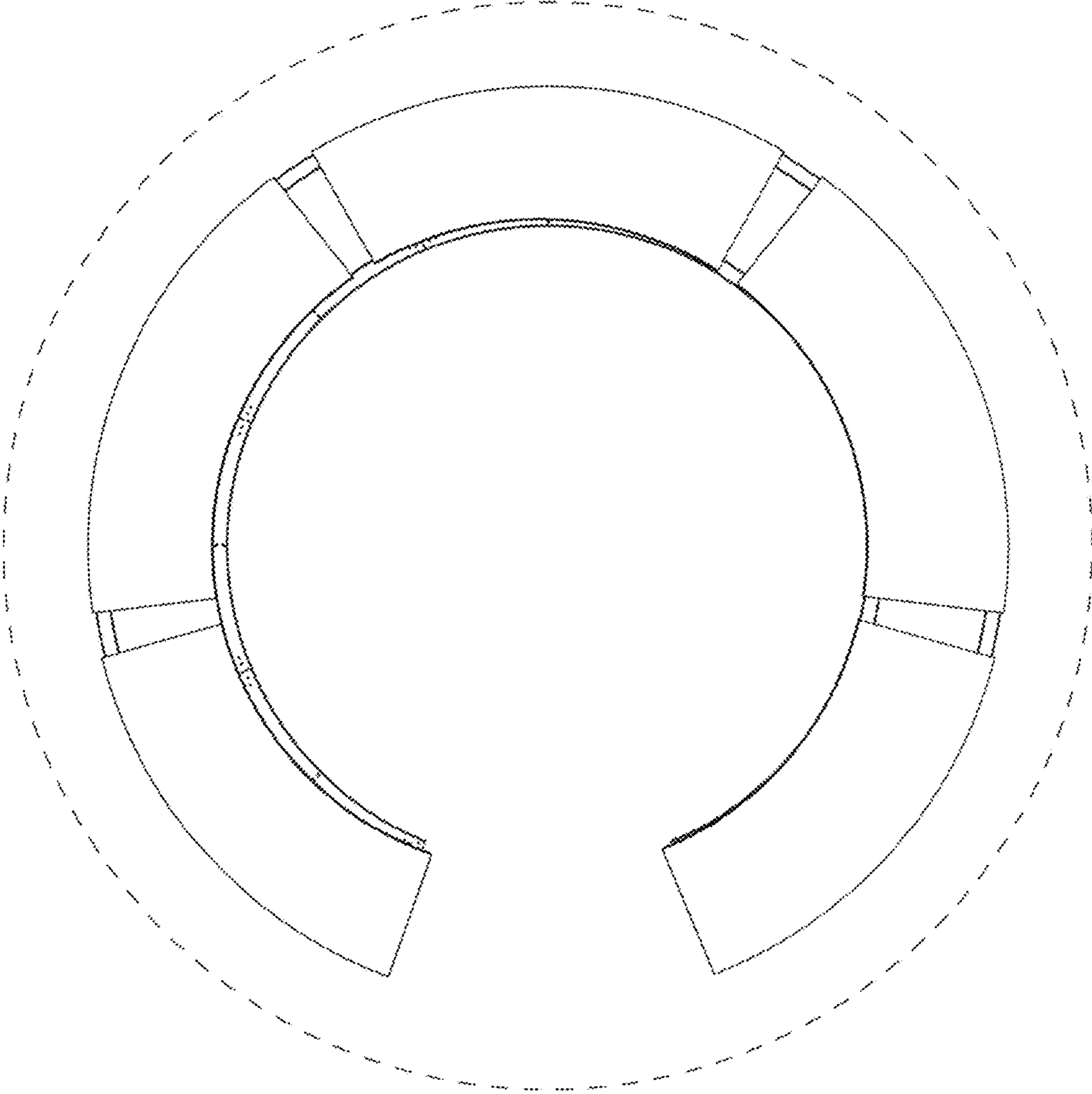
8.2



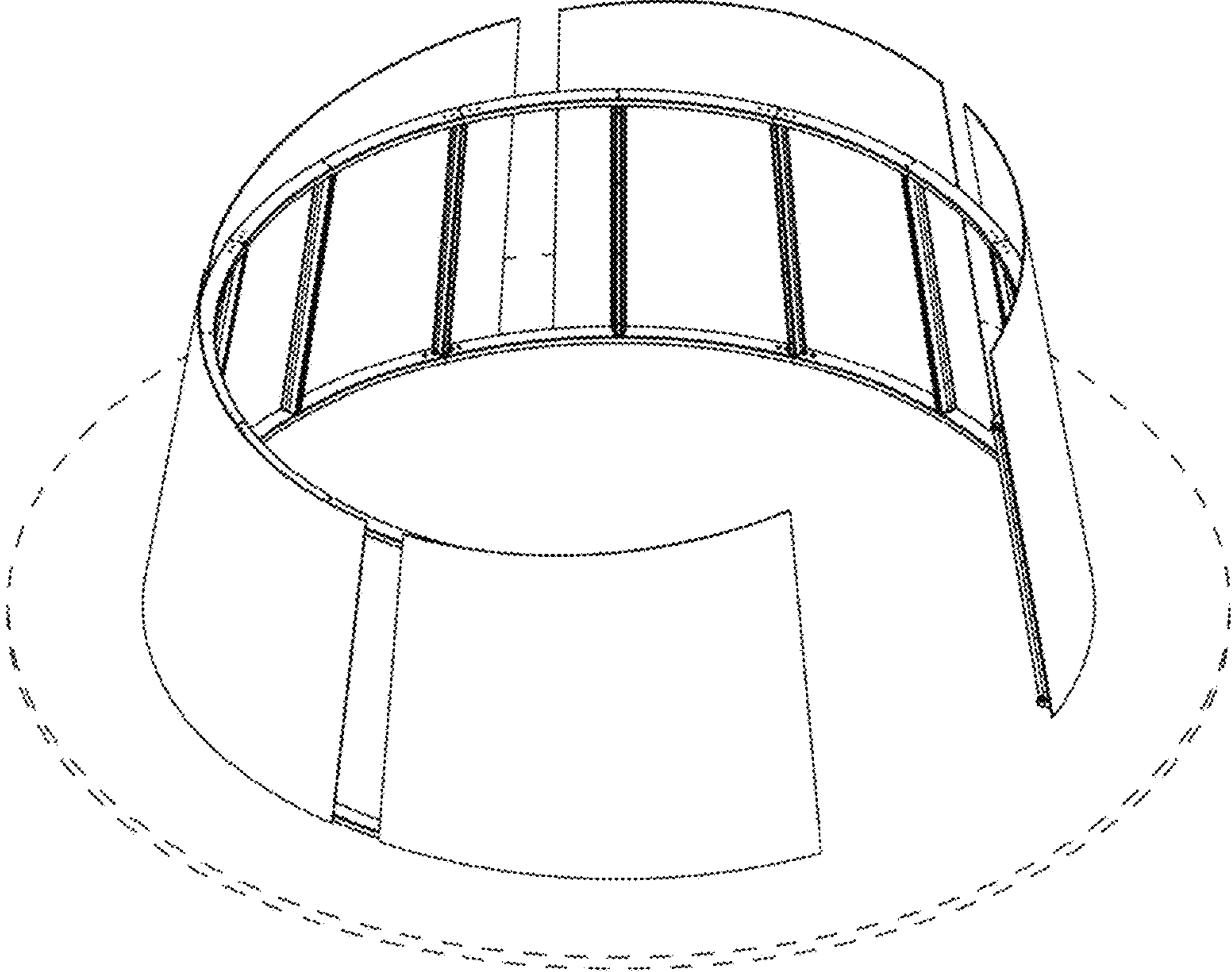
8.3



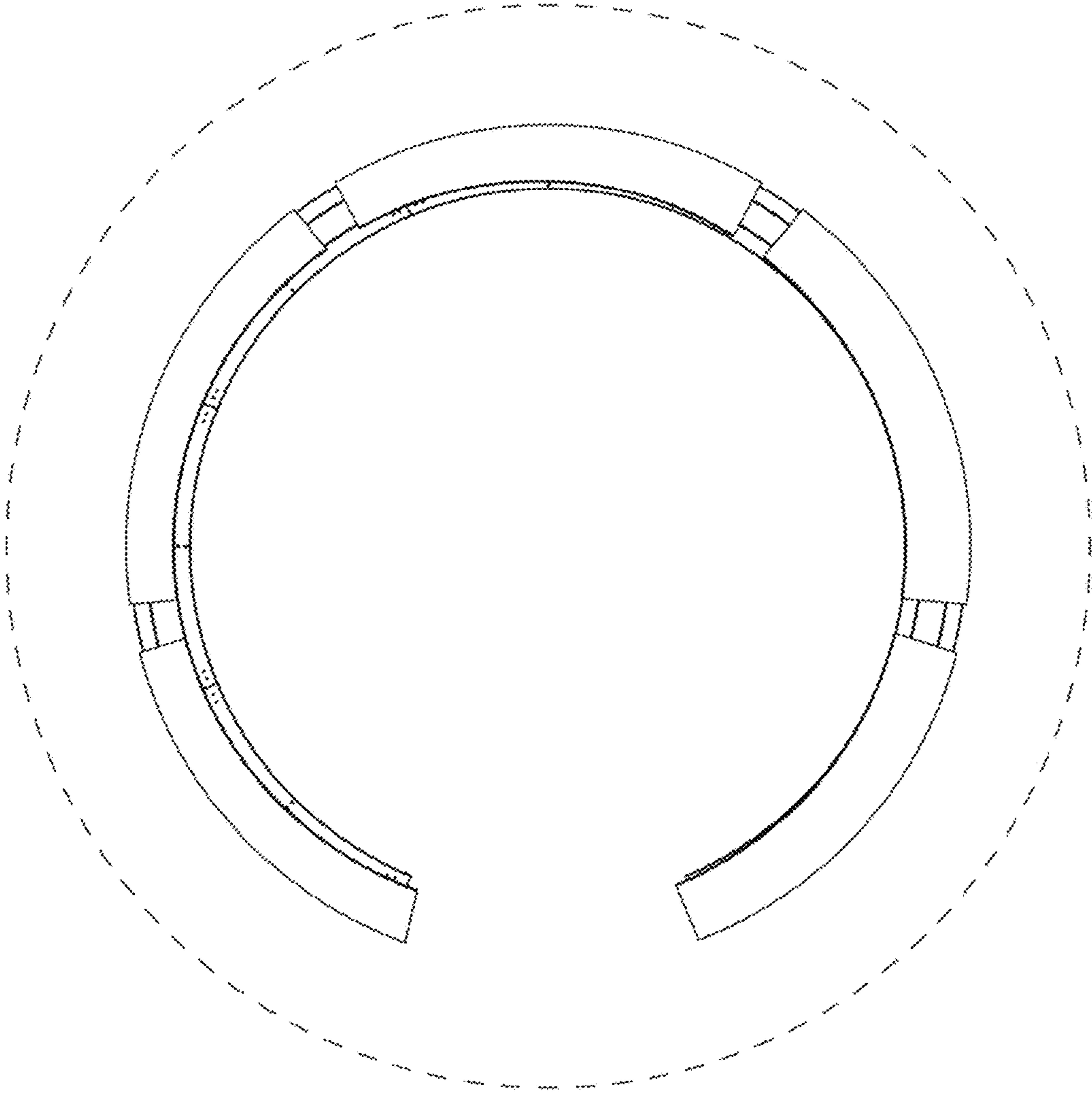
8.4



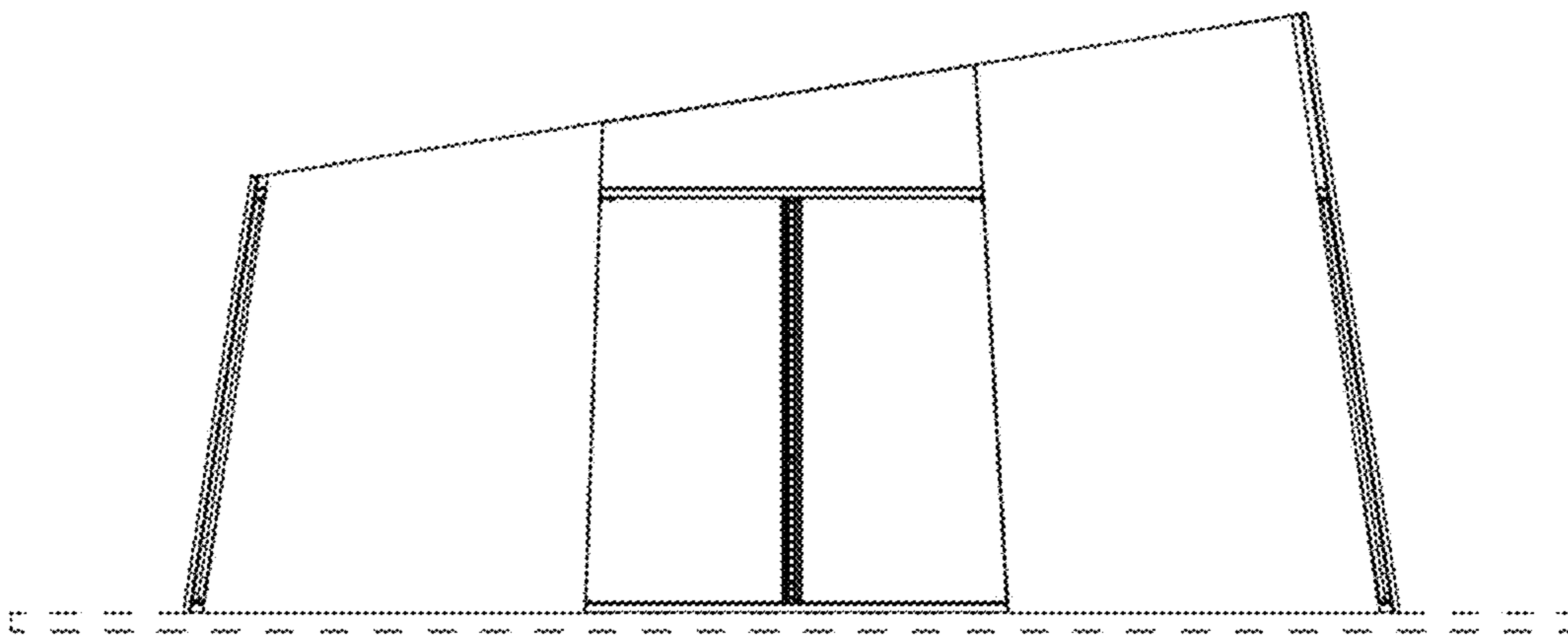
11.1



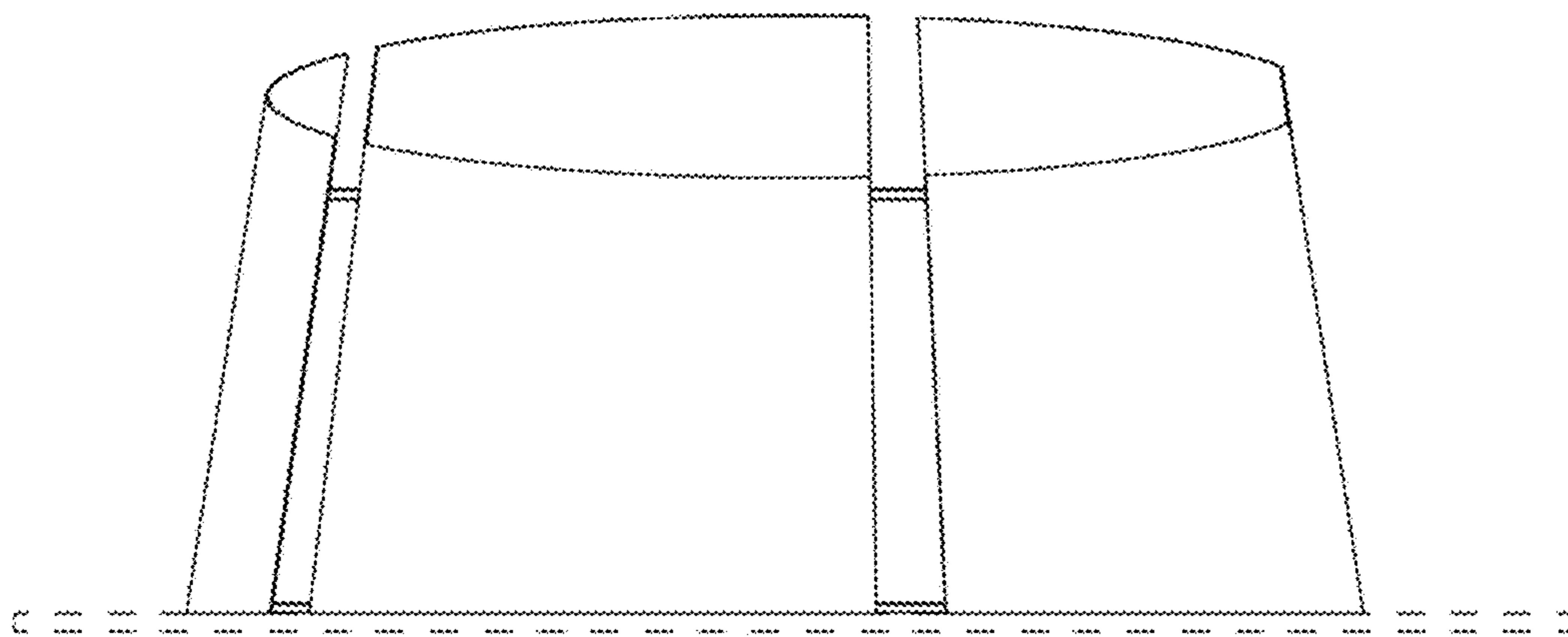
11.2



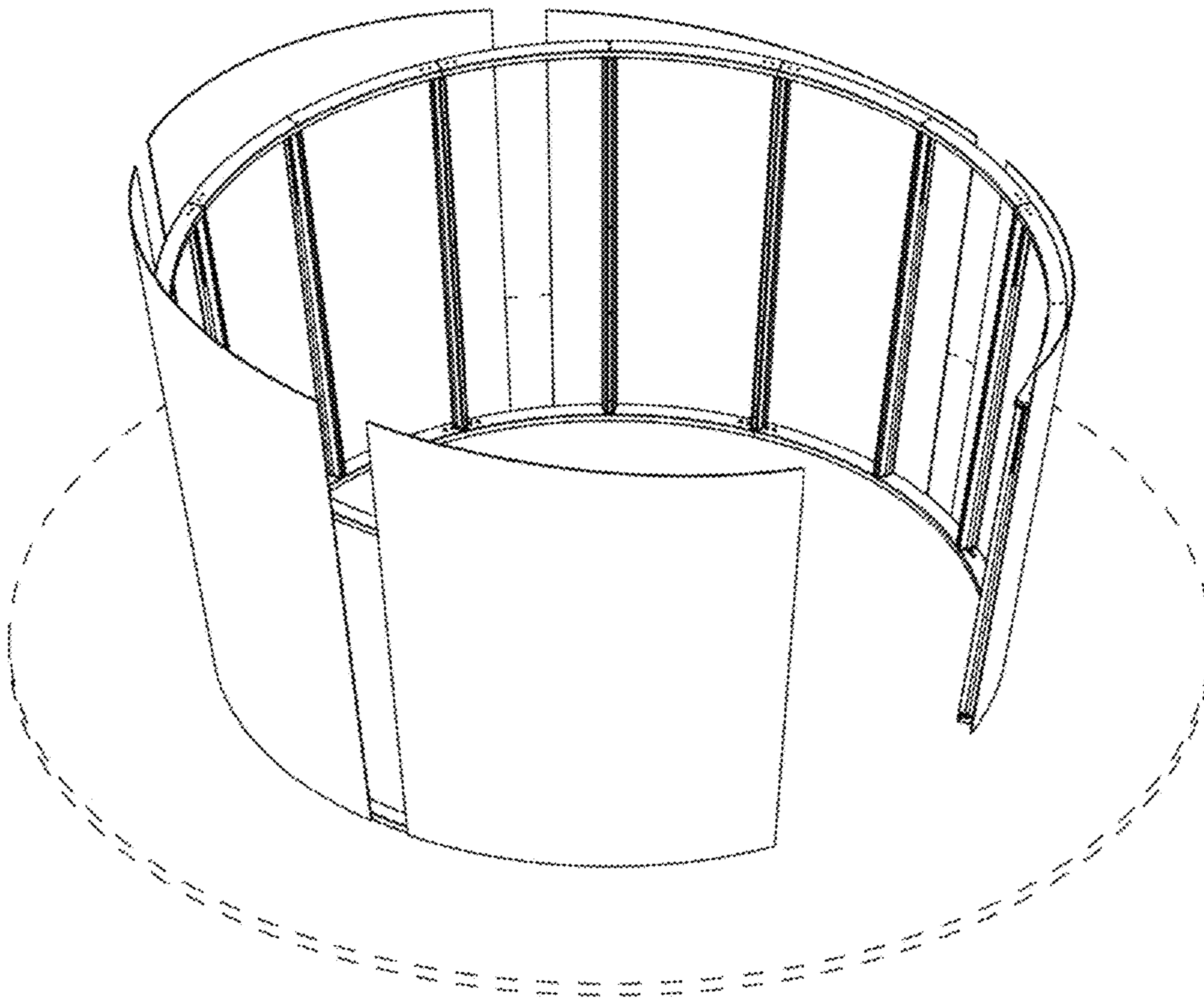
11.3



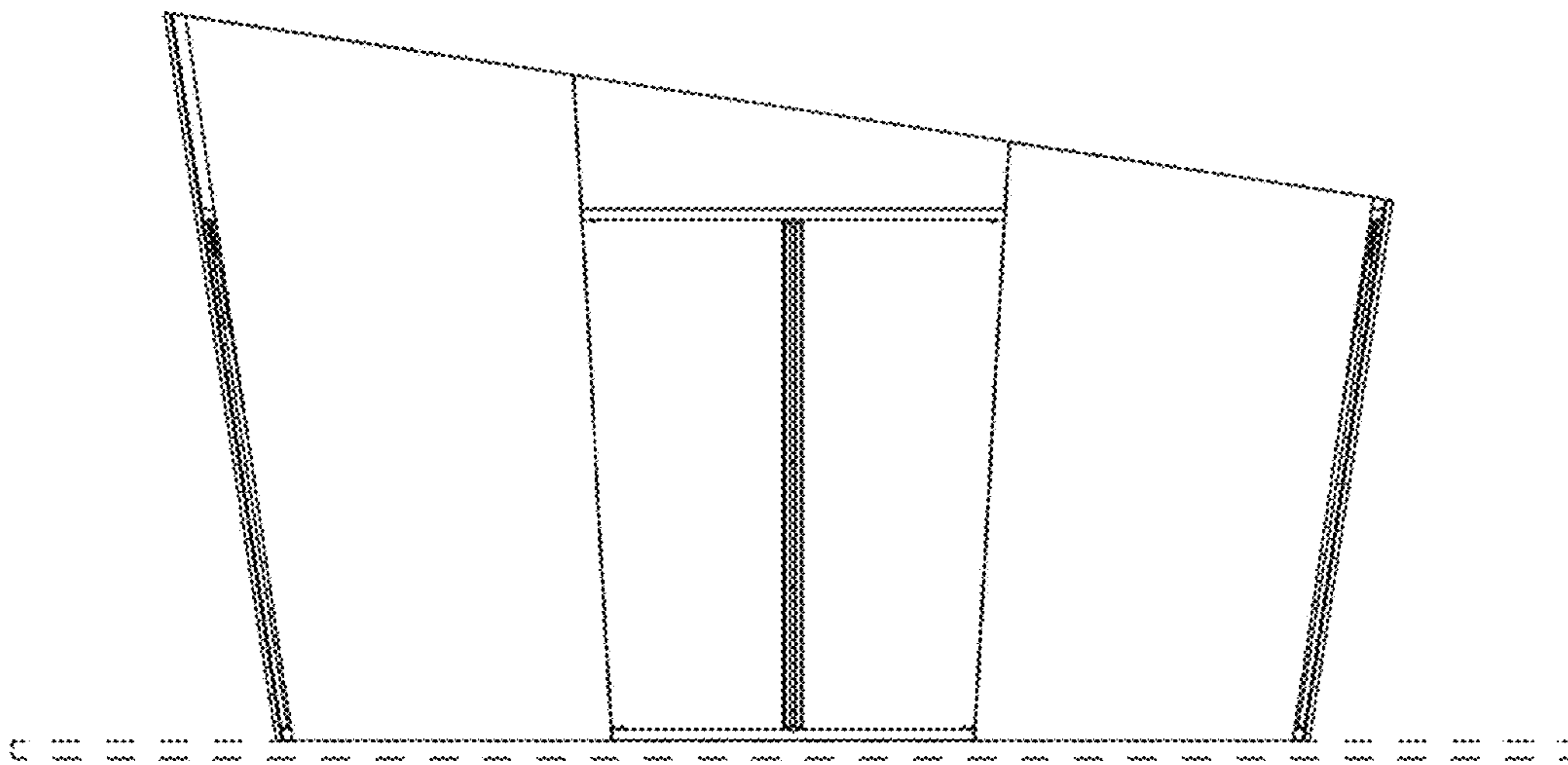
11.4



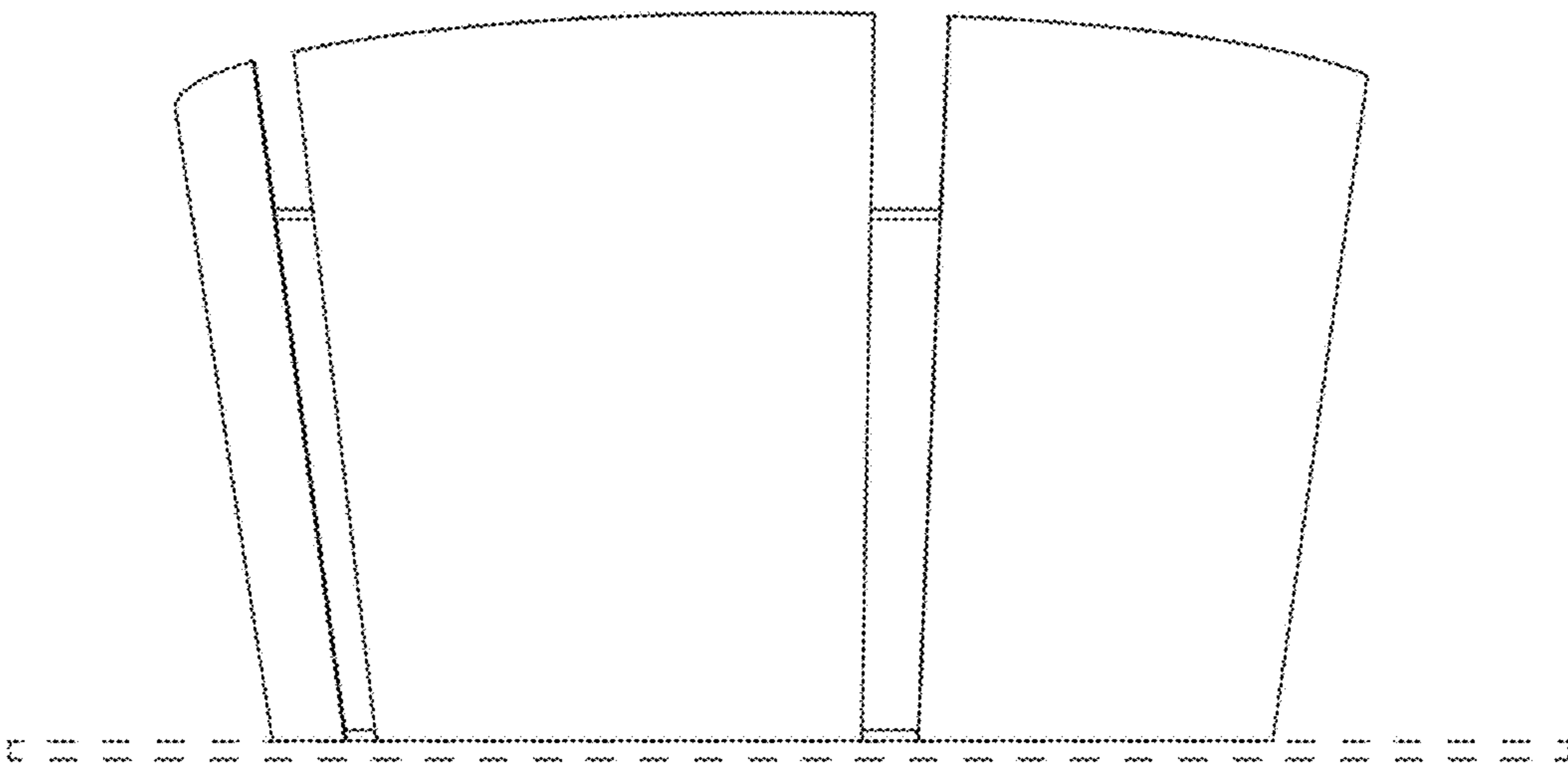
12.1



12.2



12.3



12.4

