



US00D829446S

(12) **United States Design Patent** (10) **Patent No.:** **US D829,446 S**
Katsuma (45) **Date of Patent:** **** Oct. 2, 2018**

(54) **PAINTBRUSH HANDLE**
(71) Applicant: **LINZER PRODUCTS CORP.**, West Babylon, NY (US)
(72) Inventor: **Takashi Katsuma**, Port Washington, NY (US)
(73) Assignee: **LINZER PRODUCTS CORP.**, West Babylon, NY (US)

D556,456 S * 12/2007 Meyer D4/135
D578,773 S * 10/2008 Sherman D4/135
D584,514 S * 1/2009 Dale D4/135
D584,897 S * 1/2009 Belley D4/135
D634,549 S * 3/2011 Arvinte D4/135
D703,444 S * 4/2014 Jalet D4/121
D710,115 S * 8/2014 Dale D4/135
D723,287 S * 3/2015 Meek D4/118
D733,437 S * 7/2015 Sherman D4/135
D738,628 S * 9/2015 Krohmer D4/118
D795,694 S * 8/2017 Yefremow D32/52

(**) Term: **15 Years**
(21) Appl. No.: **29/563,381**

(22) Filed: **May 4, 2016**
(51) **LOC (11) Cl.** **04-02**
(52) **U.S. Cl.**
USPC **D4/135**
(58) **Field of Classification Search**
USPC D4/100, 102, 114, 135, 116, 121, 127;
15/21.1, 22.1, 23, 24, 28, 29, 191.1, 192,
15/193, 194, 166, 168, 171, 175, 176.1;
132/218, 217; D28/7, 57
CPC B05C 1/00; B05C 1/02; B05C 17/0205;
B44D 2/00
See application file for complete search history.

OTHER PUBLICATIONS

“Rollingdog” paintbrush with notch on handle first seen at the National Hardware Show in Las Vegas on May 4, 2016, Las Vegas Convention and Visitors Authority, 3150 Paradise Road, Las Vegas, NV 89109.

* cited by examiner

Primary Examiner — Austin Murphy
(74) *Attorney, Agent, or Firm* — Donald J. Ranft; Collen

(57) **CLAIM**

The ornamental design for a paintbrush handle, as shown and described.

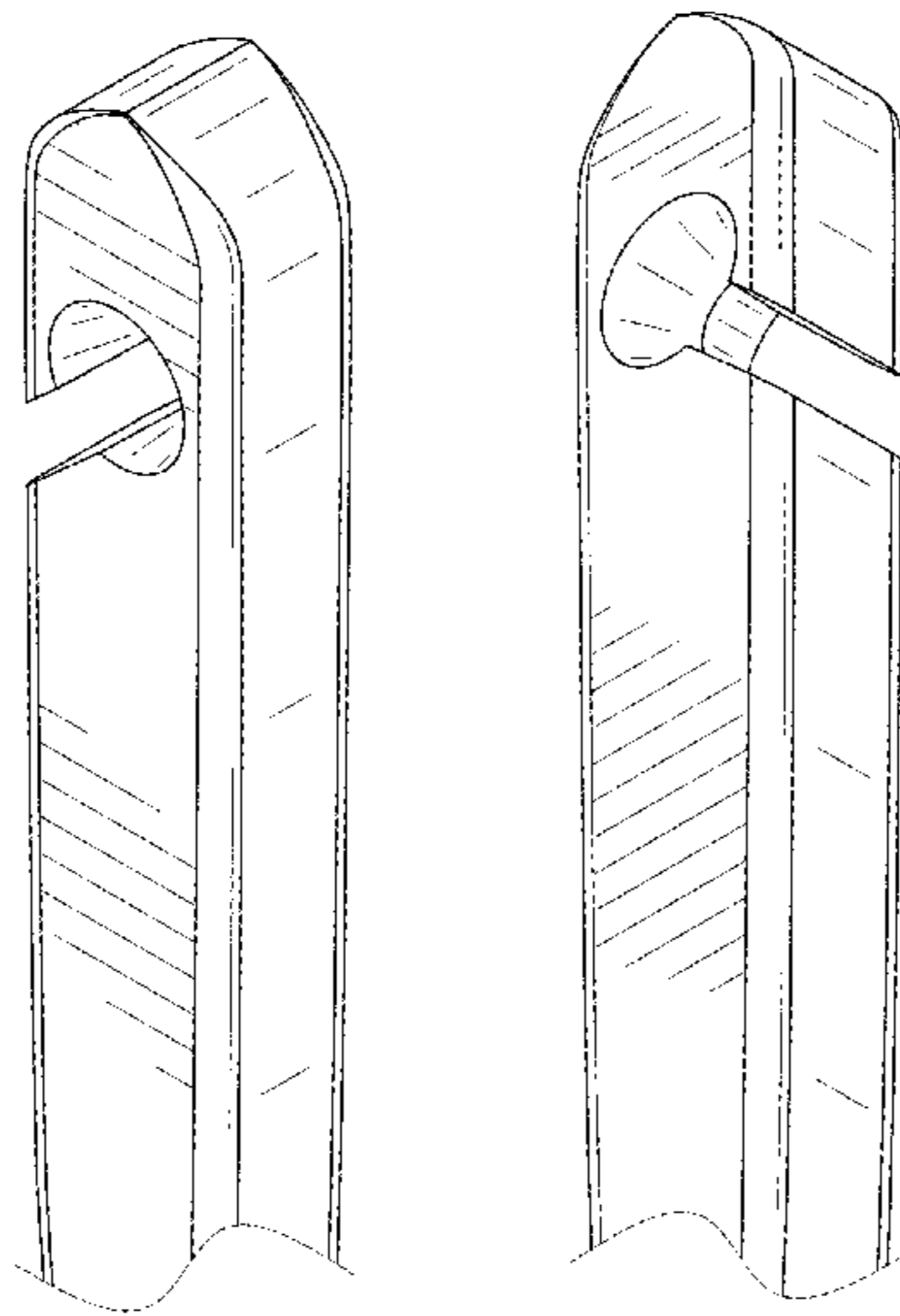
(56) **References Cited**
U.S. PATENT DOCUMENTS

2,914,785 A * 12/1959 Ela A46B 5/02
15/111
D333,920 S * 3/1993 Vetter 401/37
D347,327 S * 5/1994 Ricciarelli D4/138
D359,416 S * 6/1995 Law D7/393
D372,130 S * 7/1996 Feldman D4/127
D423,788 S * 5/2000 Southwell D4/118
D456,613 S * 5/2002 Boelke D4/125
D478,730 S * 8/2003 Goulet D4/138
D492,122 S * 6/2004 Woodnorth D4/138
7,171,713 B1 * 2/2007 Raley A63B 57/60
15/105
D538,045 S * 3/2007 Bock D4/116

DESCRIPTION

FIG. 1 is a first embodiment of a front right perspective view of a paintbrush handle showing my new design;
FIG. 2 is a rear left perspective view thereof;
FIG. 3 is a top view thereof;
FIG. 4 is a left side view thereof;
FIG. 5 is a right side view thereof;
FIG. 6 is a front view thereof; and,
FIG. 7 is a rear view thereof.
The portions of the paintbrush handle shown in broken lines form no part of the claimed design.

1 Claim, 6 Drawing Sheets



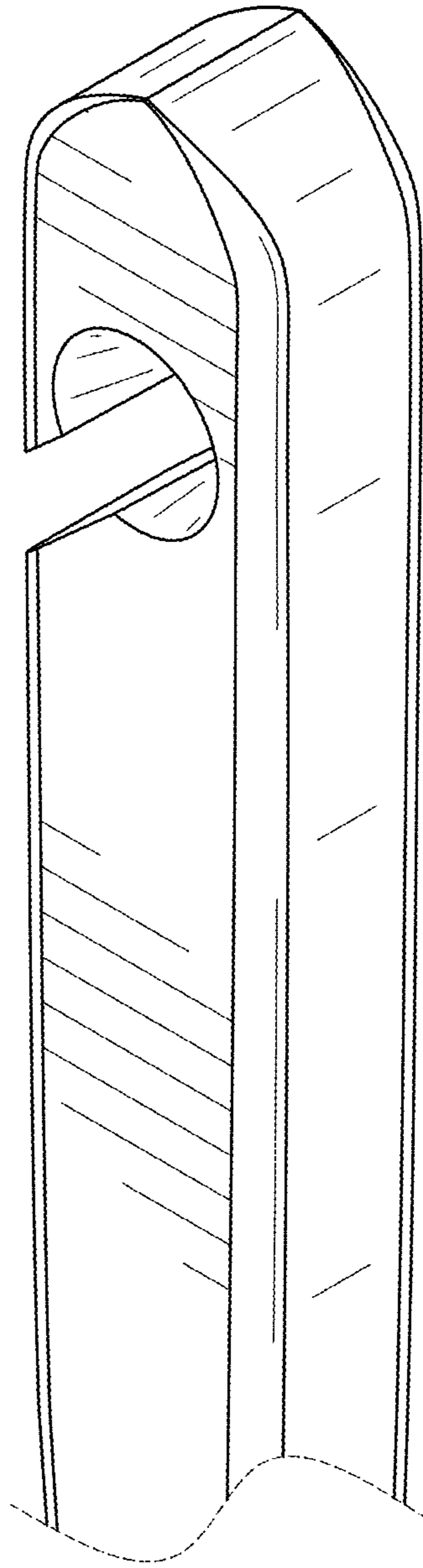


FIG. 1

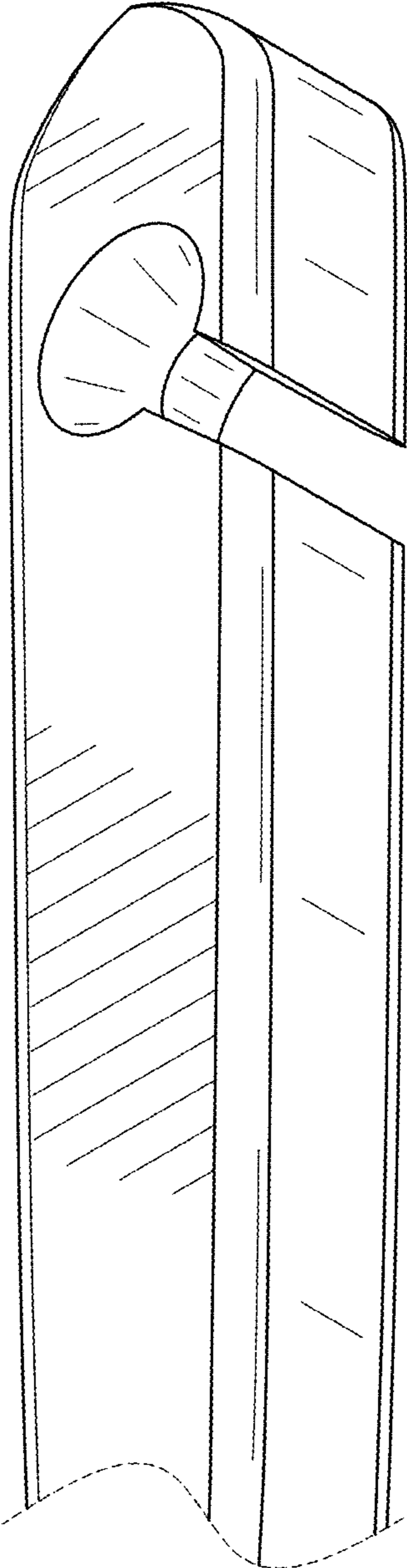


FIG. 2

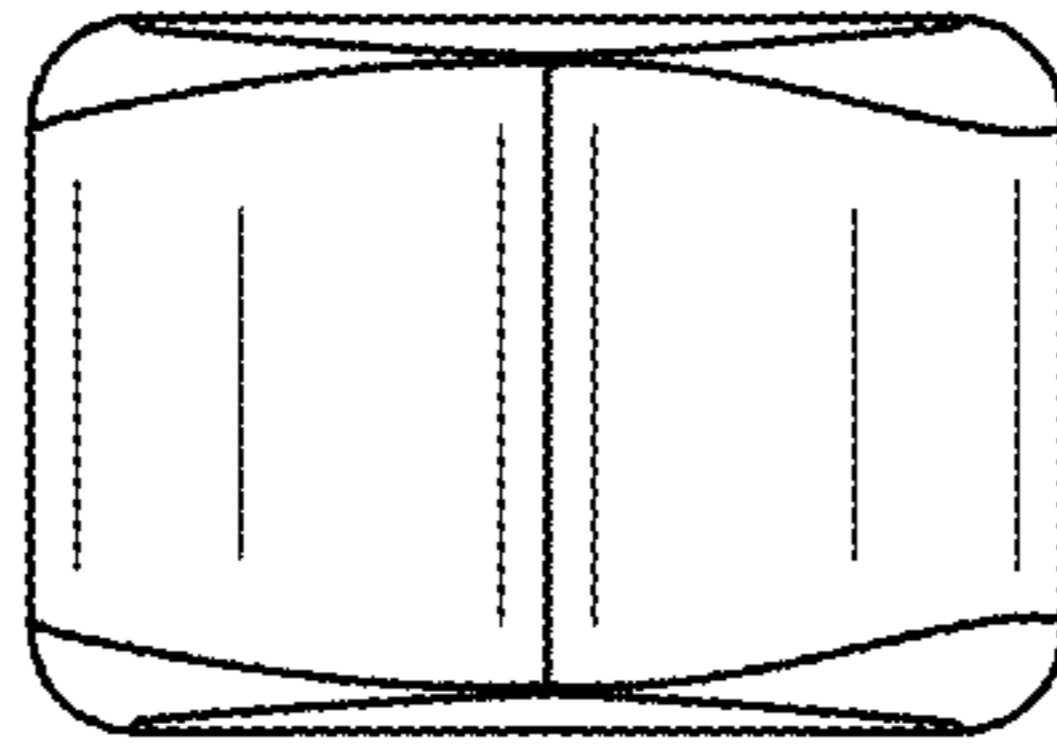


FIG. 3

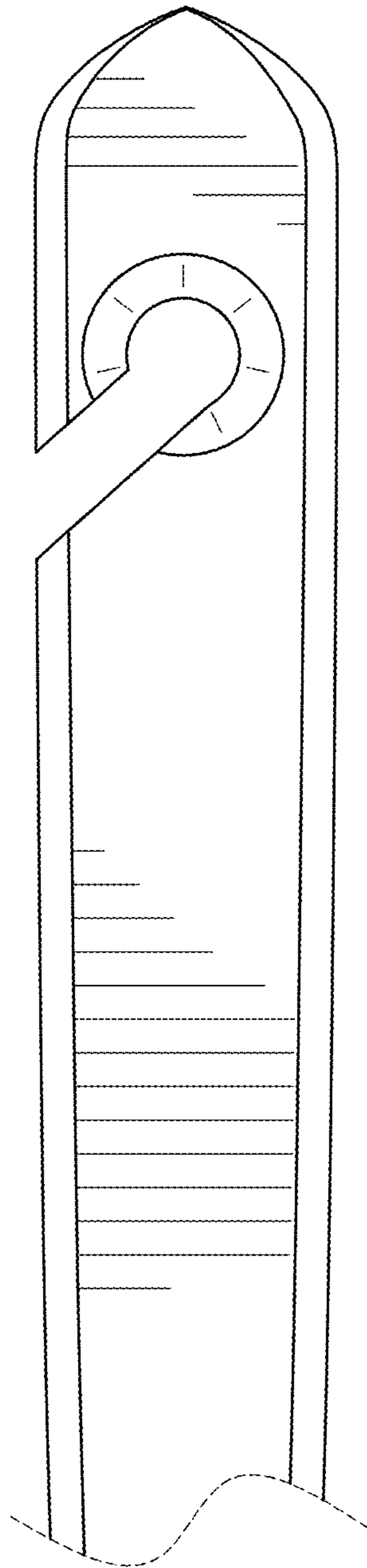


FIG. 4

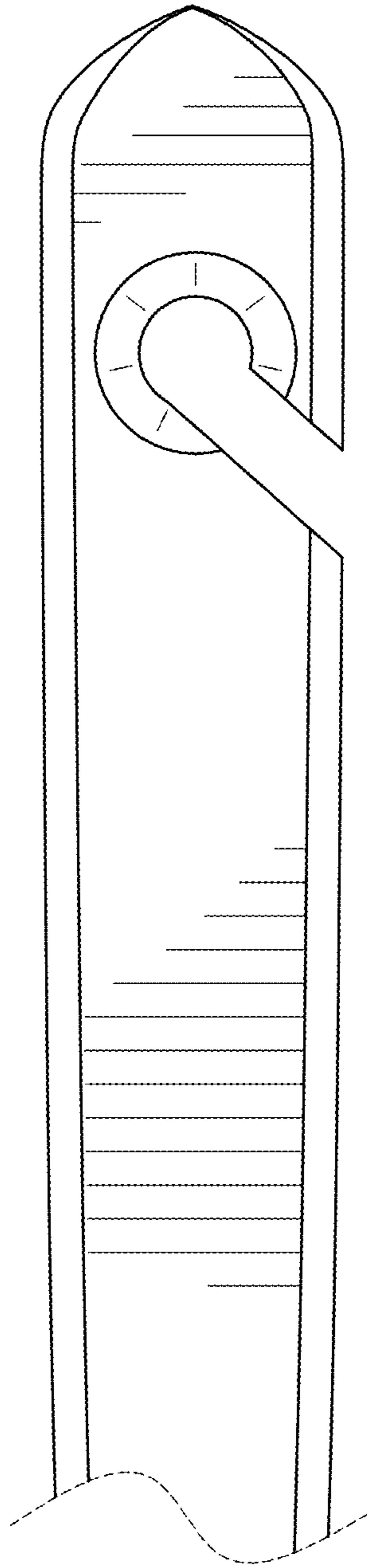


FIG. 5

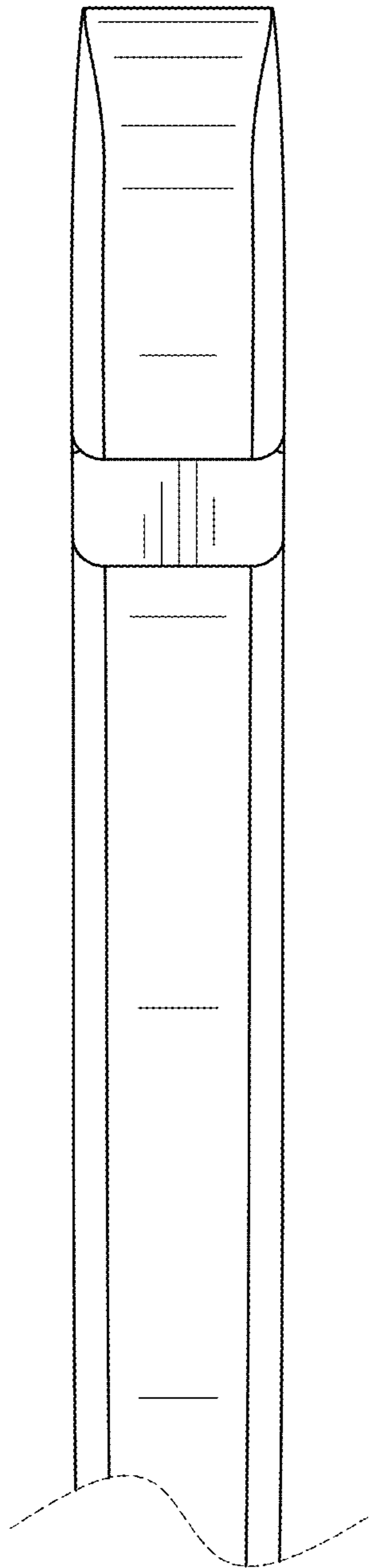


FIG. 6

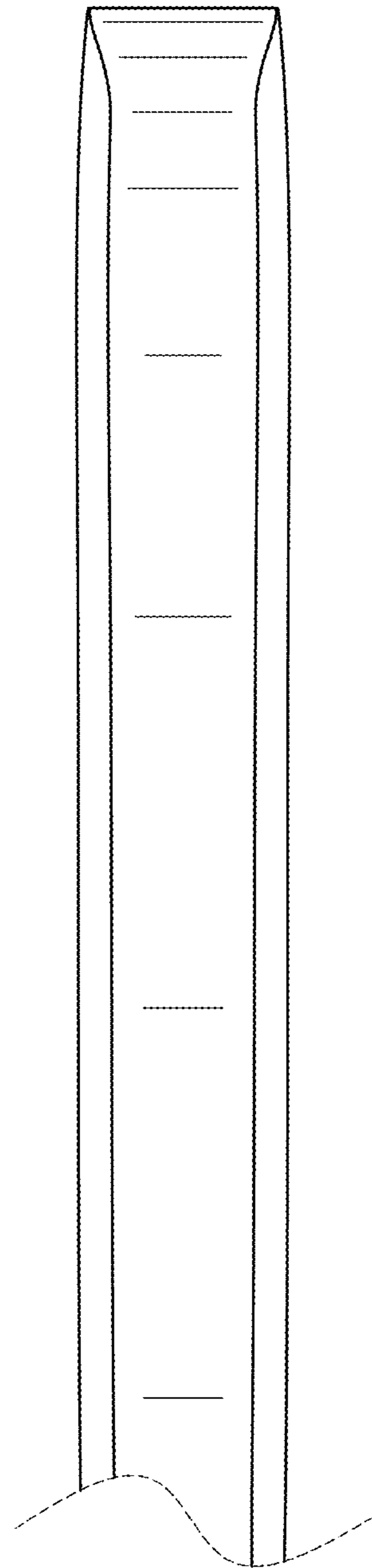


FIG. 7