

US00D829443S

(12) **United States Design Patent**  
**Blouin et al.**

(10) **Patent No.:** **US D829,443 S**  
(45) **Date of Patent:** **\*\* Oct. 2, 2018**

- (54) **ICE SCRAPER**
- (71) Applicant: **GARANT GP**, Saint-François (CA)
- (72) Inventors: **Carl Blouin**, Lévis (CA); **Johnathan Côté**, Boucherville (CA); **Mathieu Bouchard**, Montreal (CA)
- (73) Assignee: **GARANT GP**, Saint-François (CA)
- (\*\*) Term: **15 Years**
- (21) Appl. No.: **29/563,158**
- (22) Filed: **May 3, 2016**
- (51) **LOC (11) Cl.** ..... **04-99**
- (52) **U.S. Cl.**  
USPC ..... **D4/118**
- (58) **Field of Classification Search**  
USPC ..... D4/116, 118, 119, 132, 134; D32/40, 42, D32/46, 49  
CPC ..... A45D 24/14; A45D 24/16; A46B 3/005; A46B 5/00; A46B 5/02; A46B 5/021; A46B 9/02; A46B 9/021; A46B 9/023; A46B 13/001; A46B 13/008; A46B 15/0055; A46B 15/0081; A46B 15/0087; A46B 17/02; A46B 2200/30; A46B 2200/104; A46B 2200/106; A46B 2200/202; A46B 2200/205; A46B 2200/207; A46B 2200/304; A46B 2200/1006; A46B 2200/1046; A46B 2200/1053; A46B 2200/3006; A46B 2200/3033; A46B 2200/3093; E01H 1/12; E01H 1/105  
See application file for complete search history.

- D294,416 S \* 2/1988 Carroll ..... D32/48
  - 4,748,711 A \* 6/1988 Markus ..... B60S 3/045  
15/227
  - 4,962,561 A \* 10/1990 Hamilton ..... A46B 5/02  
15/111
  - D422,125 S 3/2000 Sneed et al.
  - 6,243,906 B1 \* 6/2001 Holliday ..... A46B 15/0055  
15/111
  - D485,032 S \* 1/2004 Anderson ..... D32/42
  - D485,034 S \* 1/2004 Anderson ..... D32/49
- (Continued)

**OTHER PUBLICATIONS**

Canadian Tire—Garant Snow Brush, announced Oct. 10, 2014 (dated via oldest review) [online], [site visited Mar. 26, 2018]. Available from internet, URL: <<http://www.canadiantire.ca/en/pdp/garant-scratch-free-snow-brush-36-in-0304458p.html>>.\*

(Continued)

*Primary Examiner* — Keli L Hill  
*Assistant Examiner* — Karra S Johnson  
(74) *Attorney, Agent, or Firm* — Gwendoline Bruneau

(57) **CLAIM**

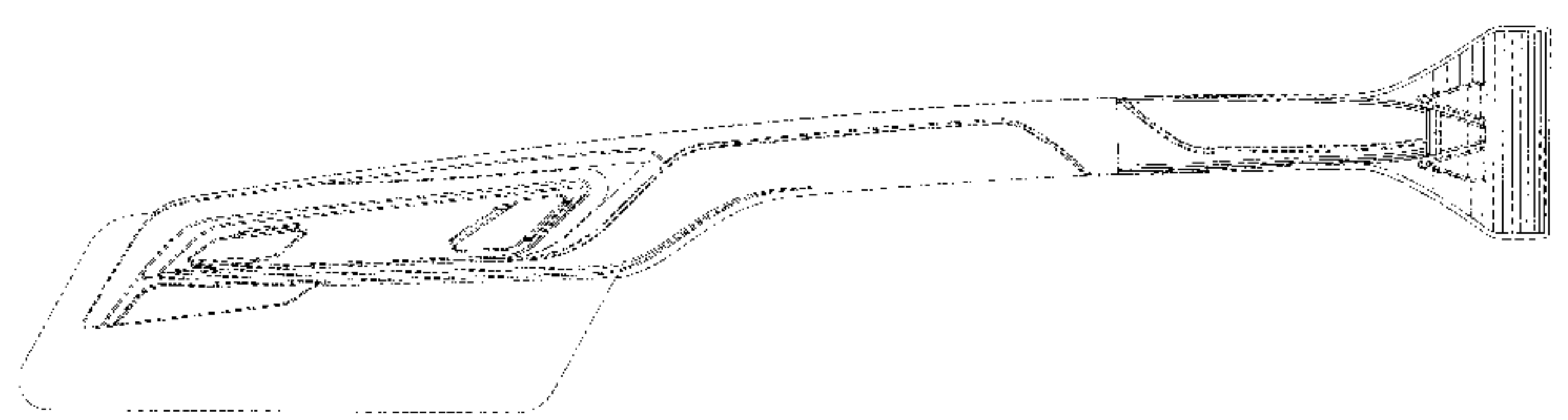
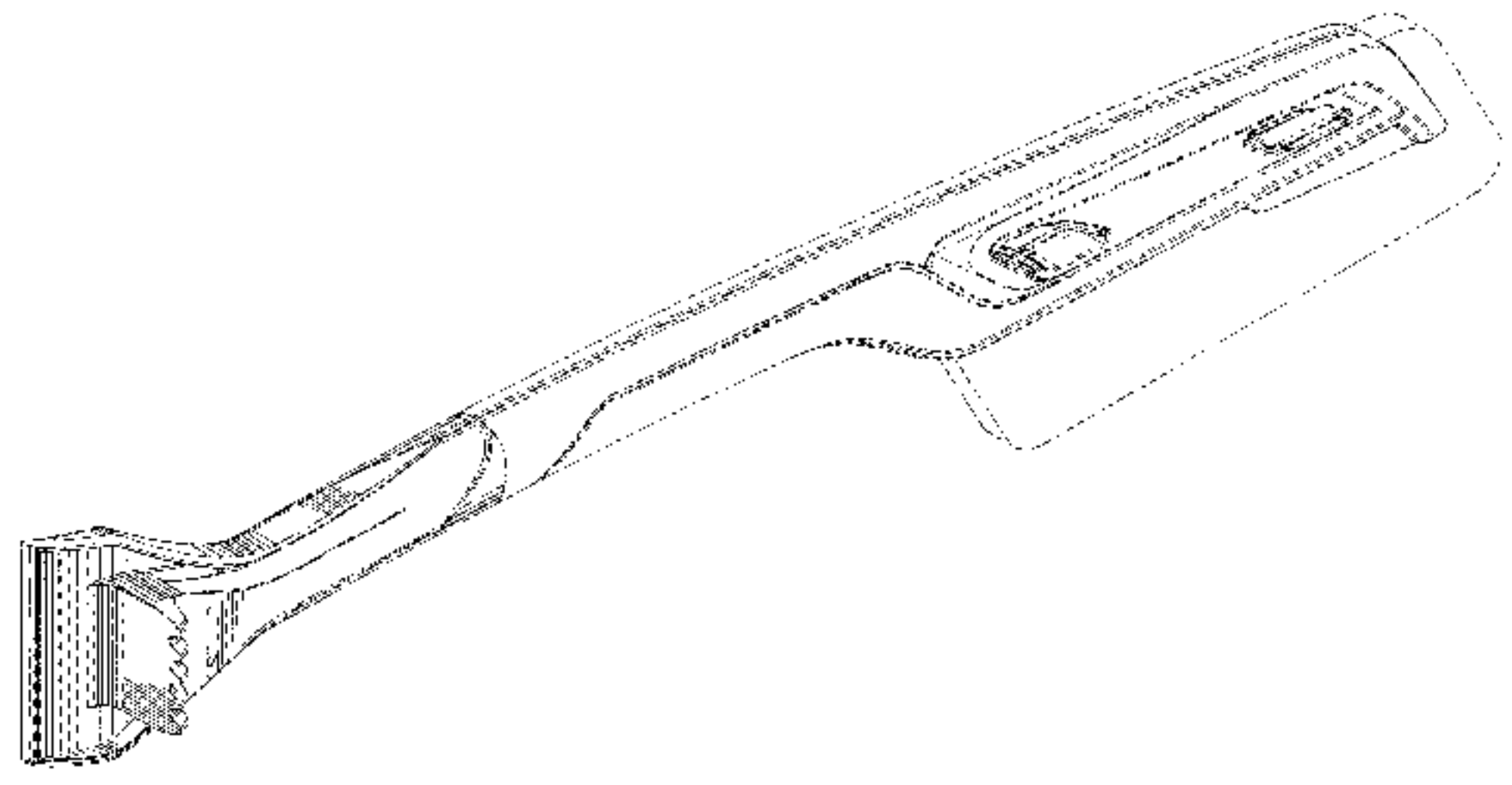
The ornamental design for a ice scraper, as shown and described.

**DESCRIPTION**

FIG. 1 is a perspective front view of the ice scraper; FIG. 2 is a first side view of the ice scraper of FIG. 1; FIG. 3 is a top view of the ice scraper of FIG. 1; FIG. 4 is a front view of the ice scraper of FIG. 1; FIG. 5 is a rear view of the ice scraper of FIG. 1; FIG. 6 is a bottom view of the ice scraper of FIG. 1; and, FIG. 7 is a second side view of the ice scraper of FIG. 1. The dot-dash broken lines immediately adjacent the shaded areas represent the bounds of the claimed design, while all other broken lines are included for the purpose of illustrating portions of the ice scraper; the broken lines form no part of the claimed design.

**1 Claim, 4 Drawing Sheets**

- (56) **References Cited**  
U.S. PATENT DOCUMENTS  
D221,609 S \* 8/1971 Kieves ..... 15/210.1  
D232,151 S \* 7/1974 Spydevold ..... D32/41  
D265,601 S \* 7/1982 Olsson ..... D32/49  
4,719,660 A 1/1988 Hopkins



(56)

**References Cited**

## U.S. PATENT DOCUMENTS

D485,656 S \* 1/2004 Anderson ..... D32/42  
 D498,891 S 11/2004 Sickler et al.  
 D542,490 S 5/2007 Barnes, Jr. et al.  
 D542,491 S 5/2007 Barnes, Jr. et al.  
 D544,162 S 6/2007 Uffner et al.  
 D547,551 S \* 7/2007 Sickler ..... D32/49  
 D751,781 S \* 3/2016 Blouin ..... D32/46  
 D752,349 S \* 3/2016 Blouin ..... D4/118  
 D766,584 S \* 9/2016 Blouin ..... D4/118  
 2013/0097793 A1 \* 4/2013 Henningsen ..... A46B 5/005  
 15/111  
 2018/0021935 A1 \* 1/2018 Blouin ..... B25G 1/00

## OTHER PUBLICATIONS

Le Placoteux—Garant innove, announced Jan. 14, 2015 [online],  
 [site visited Mar. 26, 2018]. Available from internet, URL: <<https://www.leplacoteux.com/garant-innove-avec-un-balai-a-neige-qui-negratigne-pas/>>.\*

Autofile—Snowbrush Review, announced Jan. 27, 2015 [online],  
 [site visited Mar. 26, 2018]. Available from internet, URL: <<https://autofile.ca/en-ca/auto-articles/review-of-a-snowbrush>>.\*

YouTube—New Garant snow brush, announced Oct. 1, 2014 [online],  
 [site visited Mar. 26, 2018]. Available from internet, URL: <<https://www.youtube.com/watch?v=8jDCx763H-4>>.\*

<http://www.hopkinsmfg.com/catalog/APCAT2016/#p=105>, Apr. 14,  
 2016 (Hopkins Manufacturing Corporation catalog).

<http://www.rcrint.com/PDF/Polargrip/CAT-PG-0116-low.pdf>, Apr. 14,  
 2016 (Polar Grip Catalog).

\* cited by examiner

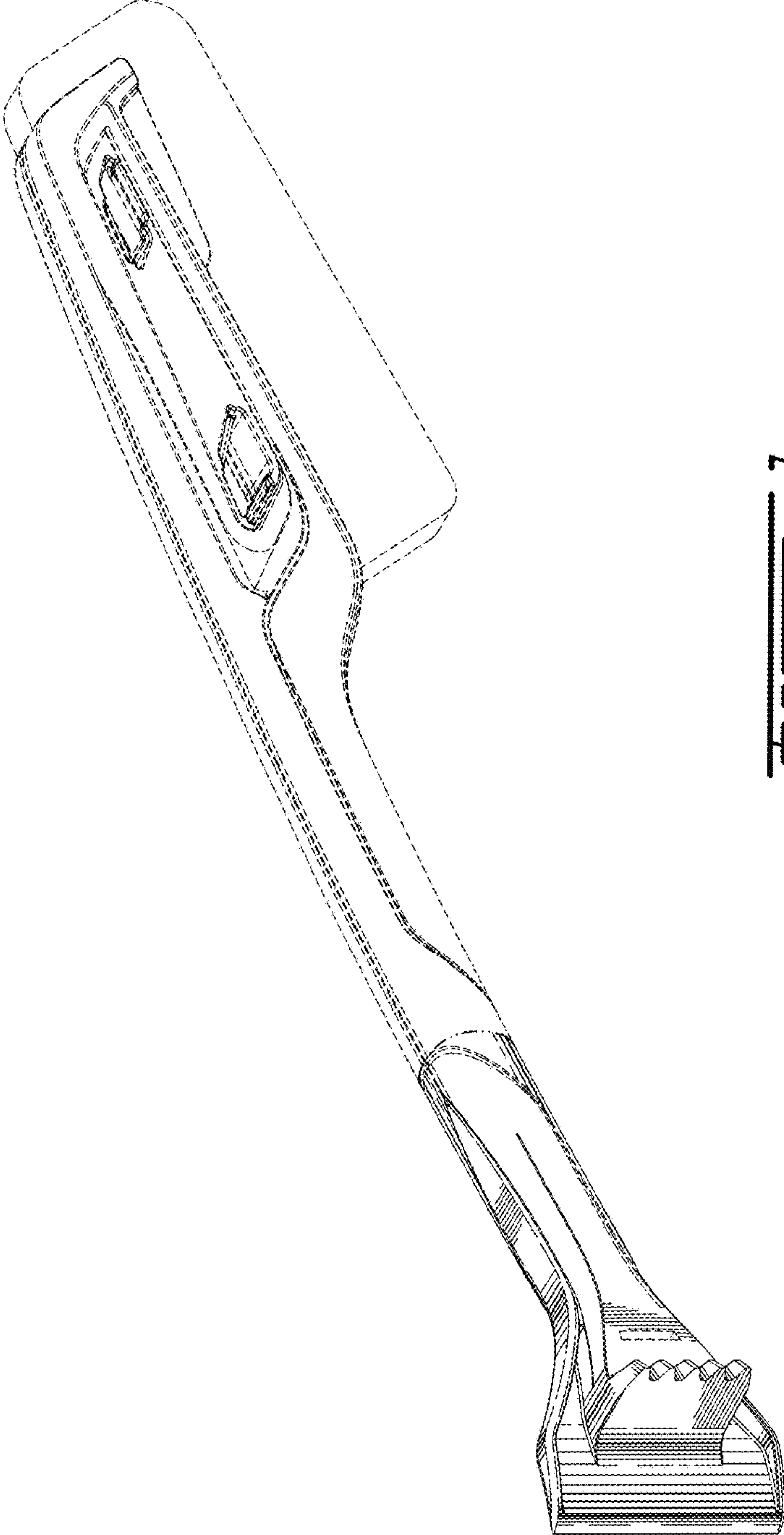
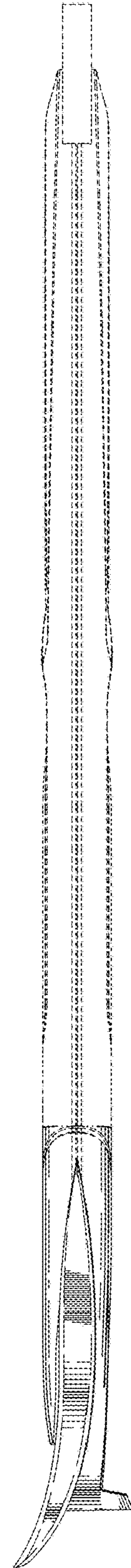
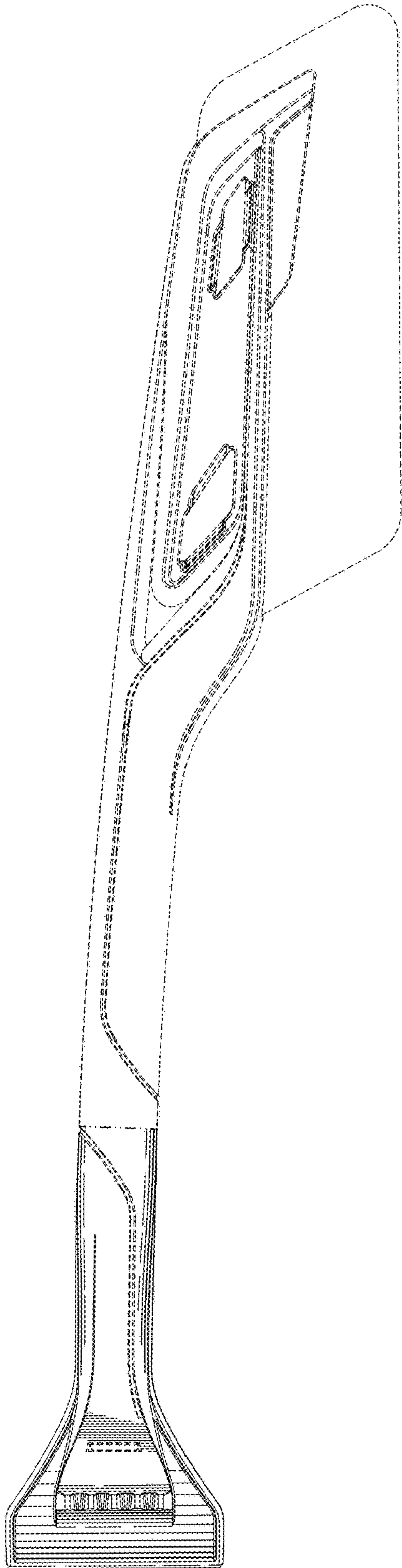


FIG. 1





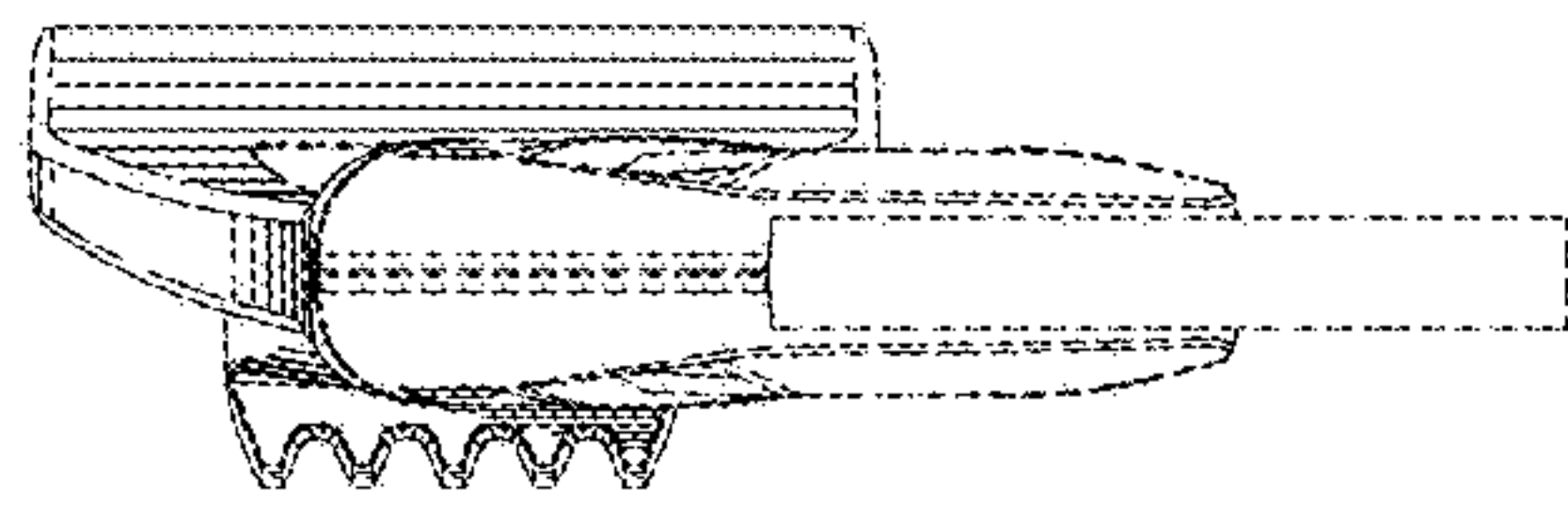


FIG. 5

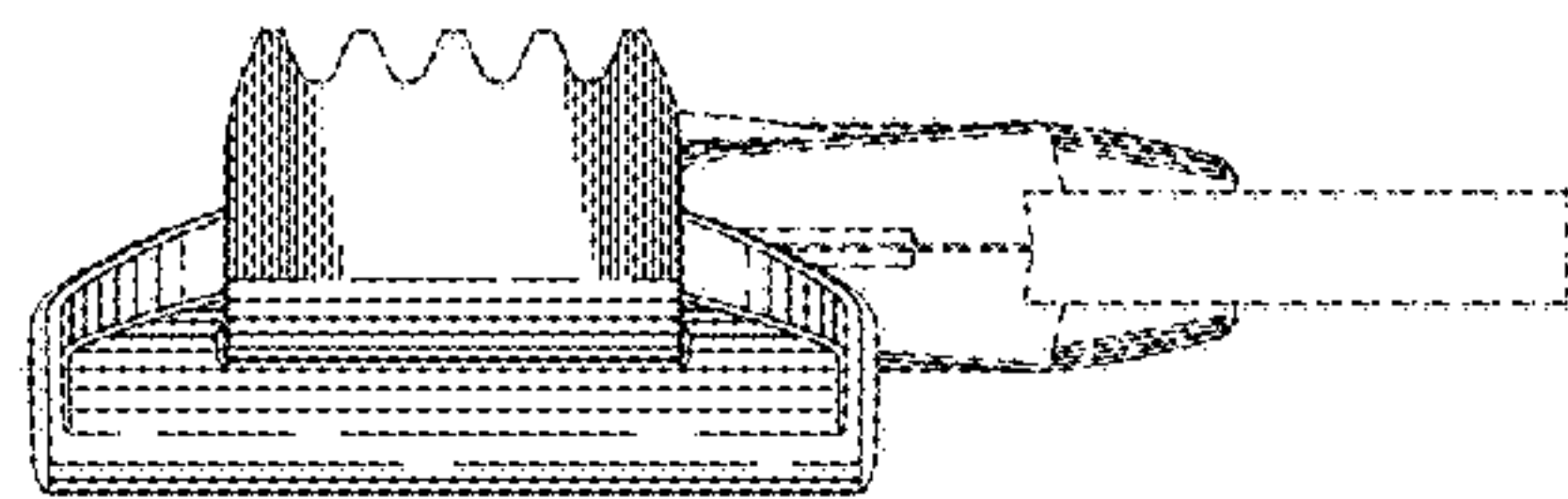


FIG. 4

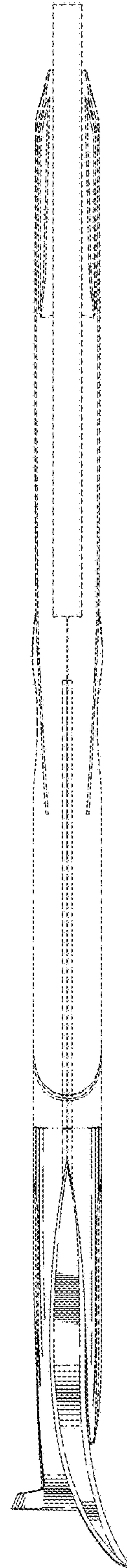


FIG. 6

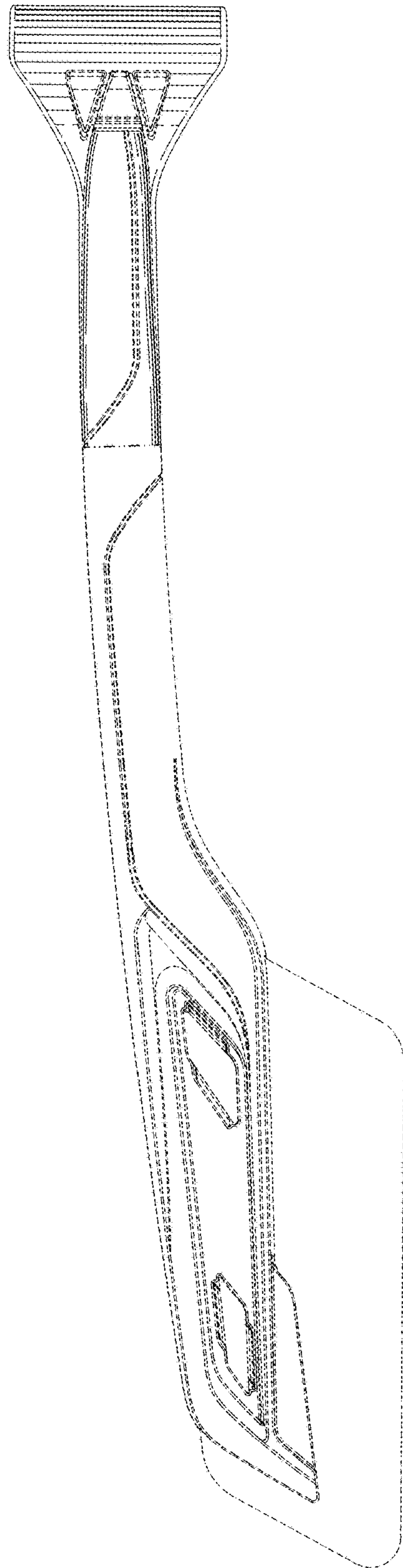


FIG. 7