



US00D829442S

(12) **United States Design Patent**
Bloomfield et al.

(10) **Patent No.:** **US D829,442 S**

(45) **Date of Patent:** **** Oct. 2, 2018**

(54) **TOY CONTAINER**

D429,429 S * 8/2000 Murphy D6/678
D443,760 S * 6/2001 DeGrandpre D3/272
6,244,439 B1 * 6/2001 Dennis A63H 3/50
206/457

(71) Applicant: **MGA Entertainment, Inc.**, Van Nuys,
CA (US)

(Continued)

(72) Inventors: **Kevin Bloomfield**, Castaic, CA (US);
Alejandro G. Keossian, Granada Hills,
CA (US)

FOREIGN PATENT DOCUMENTS

CA 95760 3/2003
CN 201130445677 5/2012
CN 205369996 U 7/2016

(73) Assignee: **MGA Entertainment, Inc.**, Van Nuys,
CA (US)

OTHER PUBLICATIONS

(**) Term: **15 Years**

Crafty Minimeg, "Box Making with Steve Pittelkow", Aug. 22,
2013. (<http://craftyminimeg.blogspot.com/2013/08/box-making-with-steve-pittelkow.html>).*

(21) Appl. No.: **29/627,261**

(Continued)

(22) Filed: **Nov. 24, 2017**

(51) **LOC (11) Cl.** **03-01**

Primary Examiner — Jennifer Rivard

(52) **U.S. Cl.**

Assistant Examiner — April Rivas

USPC **D3/302**; D9/430; D9/745

(74) *Attorney, Agent, or Firm* — Intellectual Property
Law Offices of Joel Voelzke, APC

(58) **Field of Classification Search**

USPC D3/203.2, 273, 274, 294, 302, 901, 903,
D3/745; D28/85, 91, 76; D6/678;
D9/745, 744

(57) **CLAIM**

The ornamental design for a toy container, as shown and
described.

CPC ... B65D 21/0213; B65D 21/083; B65D 21/00

DESCRIPTION

See application file for complete search history.

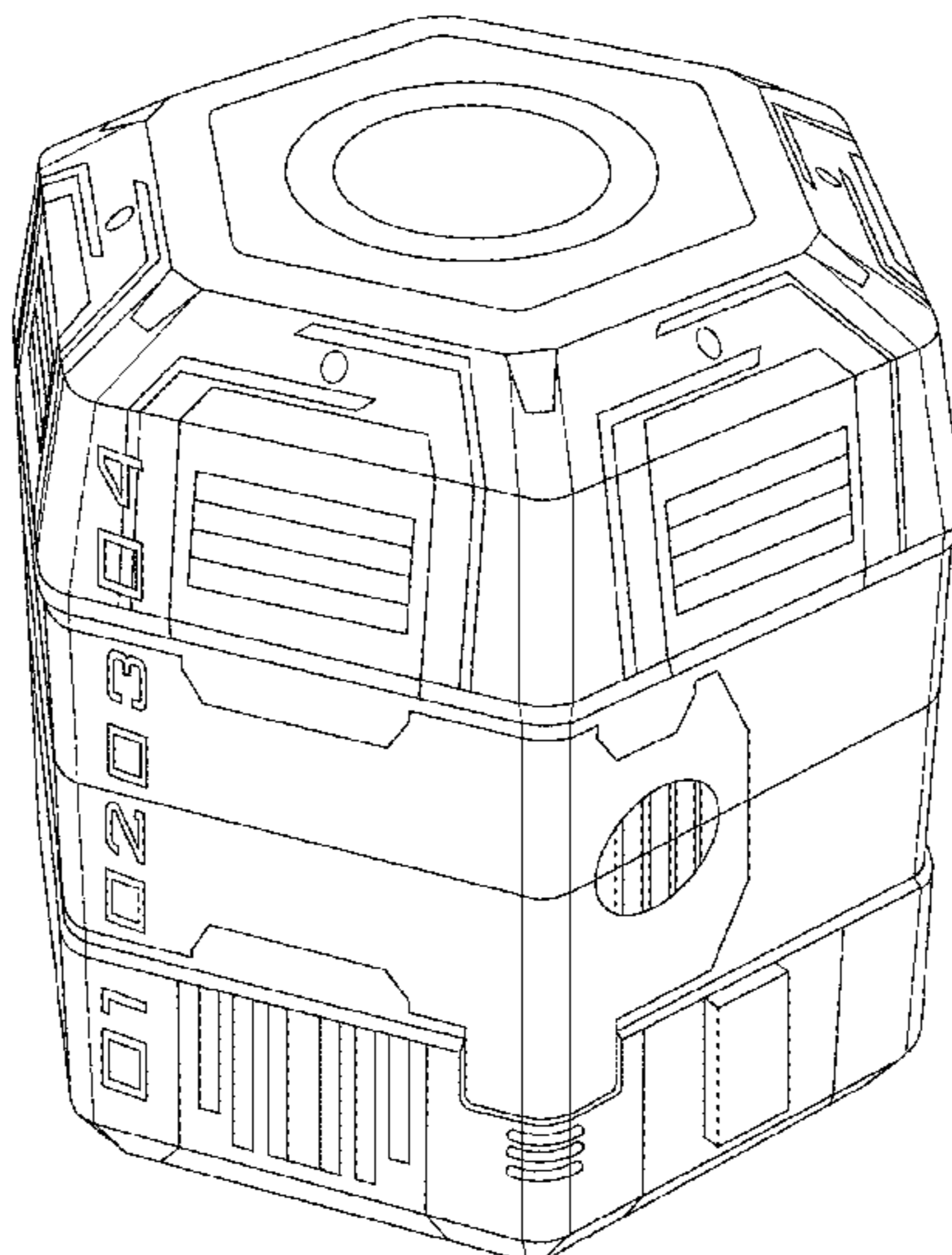
FIG. 1 is a front, top, right oblique view of a toy container,
showing our new design;
FIG. 2 is a front elevation view thereof;
FIG. 3 is a rear elevation view thereof;
FIG. 4 is a side elevation view thereof, showing the left side;
FIG. 5 is side elevation view thereof, showing the right side;
FIG. 6 is a top plan view thereof;
FIG. 7 is a bottom plan view thereof;
FIG. 8 is a front elevation exploded view;
FIG. 9 is a rear elevation exploded view;
FIG. 10 is a left side elevation exploded view; and,
FIG. 11 is a right side elevation exploded view.

(56) **References Cited**

U.S. PATENT DOCUMENTS

D108,749 S * 3/1938 McKinney D6/678
2,715,509 A * 8/1955 Paige A47F 5/112
211/126.1
4,799,590 A 1/1989 Furman
D350,460 S * 9/1994 Picozza D7/629
D353,167 S * 12/1994 Calif D21/348
D362,801 S * 10/1995 Milroy D9/428
5,503,288 A * 4/1996 Conconi B65D 21/0204
220/23.4
D399,738 S * 10/1998 B-Jensen D3/302

1 Claim, 10 Drawing Sheets



(56)

References Cited

U.S. PATENT DOCUMENTS

D518,336 S * 4/2006 Hirani D7/629
 D523,637 S * 6/2006 Chang D3/315
 D525,532 S 7/2006 Glass
 D607,153 S * 12/2009 Campbell D28/76
 7,806,284 B2 * 10/2010 Mangano A45C 11/16
 206/504
 D643,694 S * 8/2011 Lu D7/629
 8,011,509 B1 * 9/2011 Sakamaki G07F 17/3297
 206/457
 8,240,547 B2 * 8/2012 Stow, III B65D 75/225
 206/776
 D668,457 S * 10/2012 Mimlitch, III D3/294
 D672,645 S * 12/2012 Giannini D9/430
 D679,148 S * 4/2013 Schwartz D7/629
 D685,578 S * 7/2013 Pestell D3/294
 9,120,594 B2 9/2015 Huang et al.
 D756,037 S * 5/2016 Schlatter D28/85
 D772,055 S * 11/2016 O'Dowd D9/430

D786,668 S * 5/2017 Cornaglia D9/418
 D795,384 S 8/2017 Kent
 2014/0346168 A1 * 11/2014 Wang B65D 21/0213
 220/23.83

OTHER PUBLICATIONS

Habitat, "KARENA Multi-Coloured 4-Tier Stacking Storage Box",
 Jan. 22, 2017. (<http://www.habitat.co.uk/karena-multi-coloured-4-tier-stacking-storage-box-148794>).*
 "Hex 45 Gallon Trash Container," retrieved from www.trashcanswarehouse.com on Nov. 23, 2017.
 "Antique Brass Eastern Small Casket with Inlaid Wooden Lining, Islamic Script," retrieved from www.ebay.com on Nov. 23, 2017.
 "Rotating Bur & Tool Caddy Stand—Hexagona Design Wood Finish" retrieved from www.aajewelery.com on Nov. 23, 2017.
 Oriental Furniture Red Lacquire Five Drawer Octagonal Chest retrieved from www.amazon.com on Nov. 23, 2017.
 "Hexagonal Stacking Boxes" retrieved from www.evilmadscientist.com on Nov. 23, 2017.

* cited by examiner

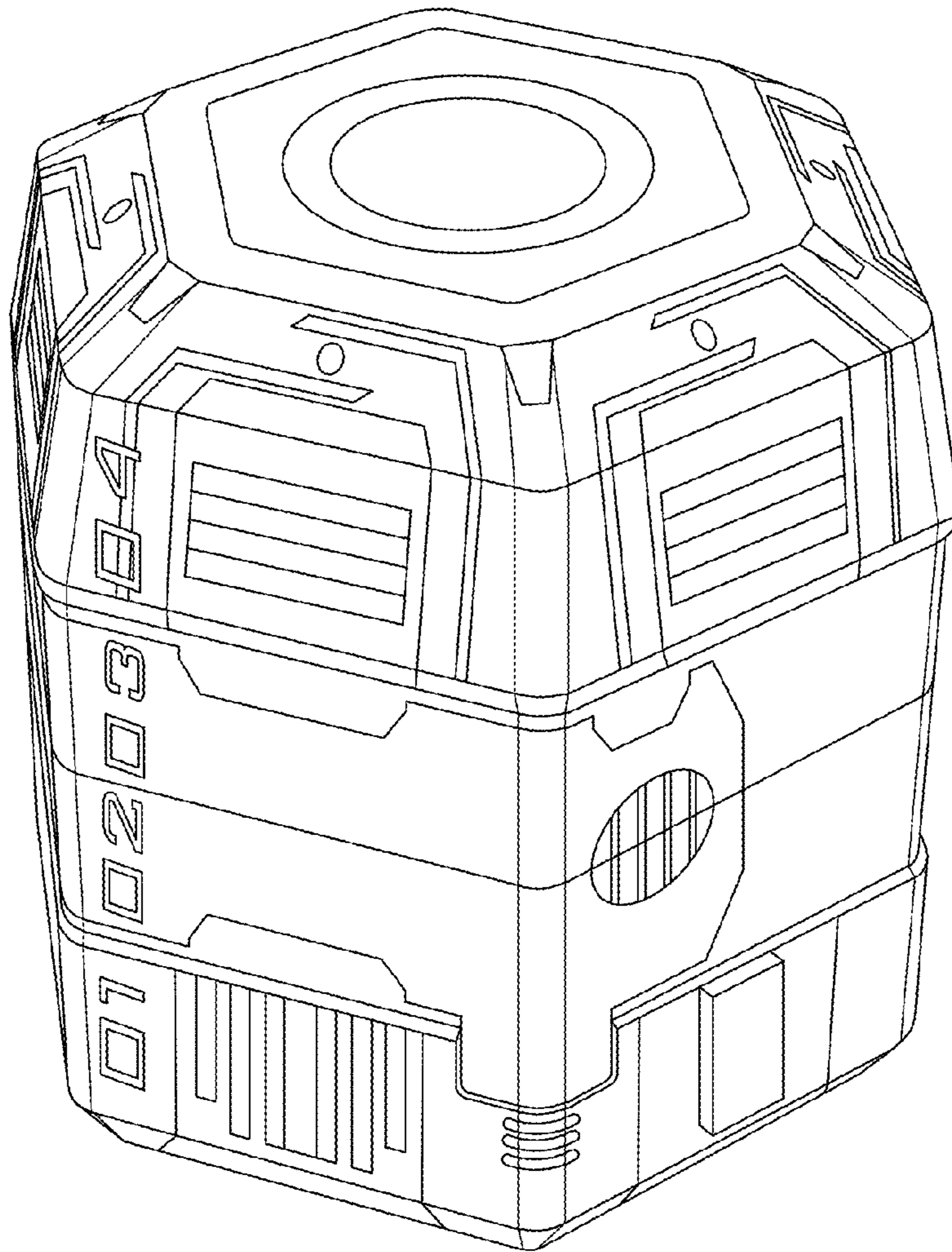


FIG. 1

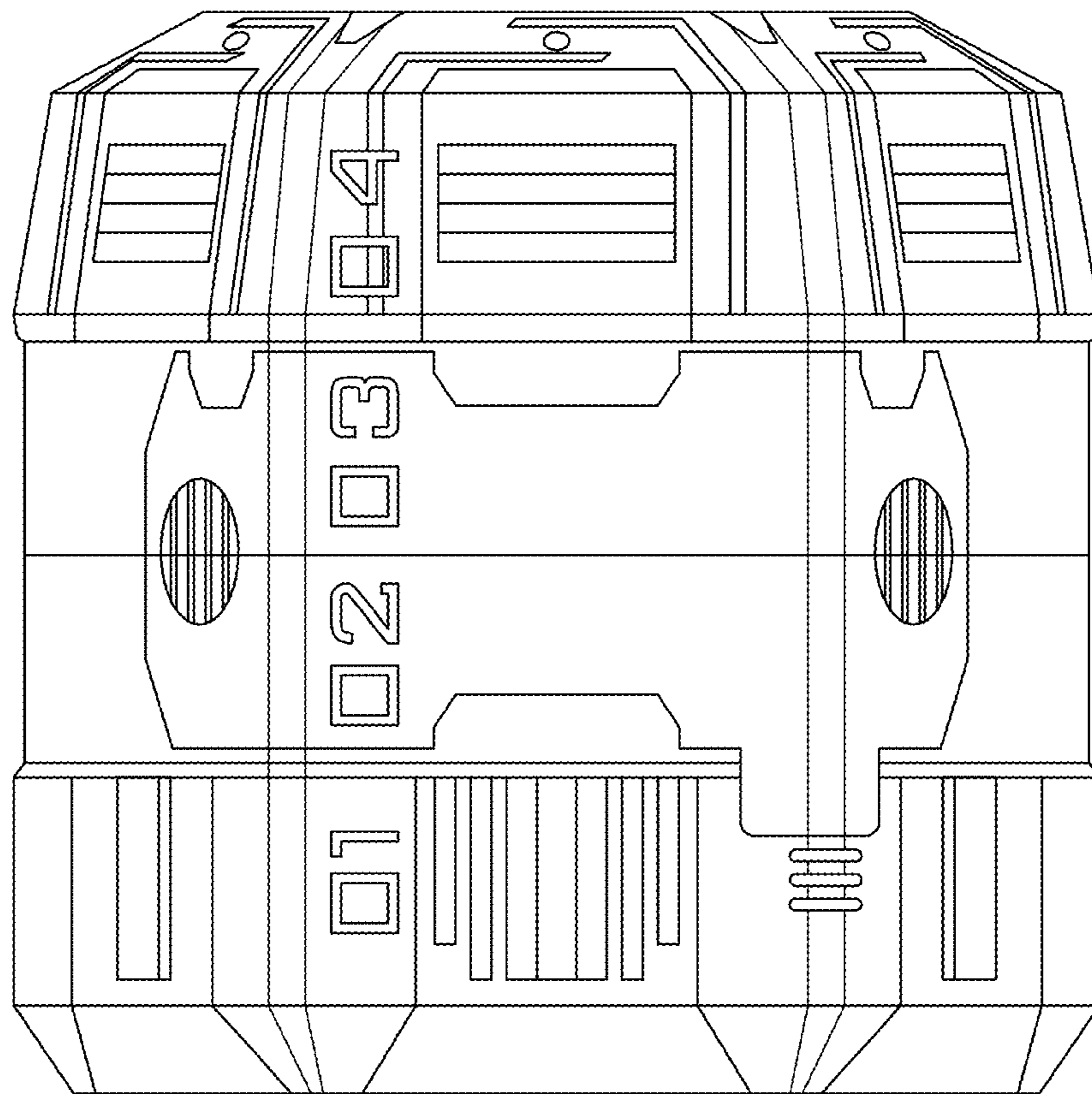


FIG. 2

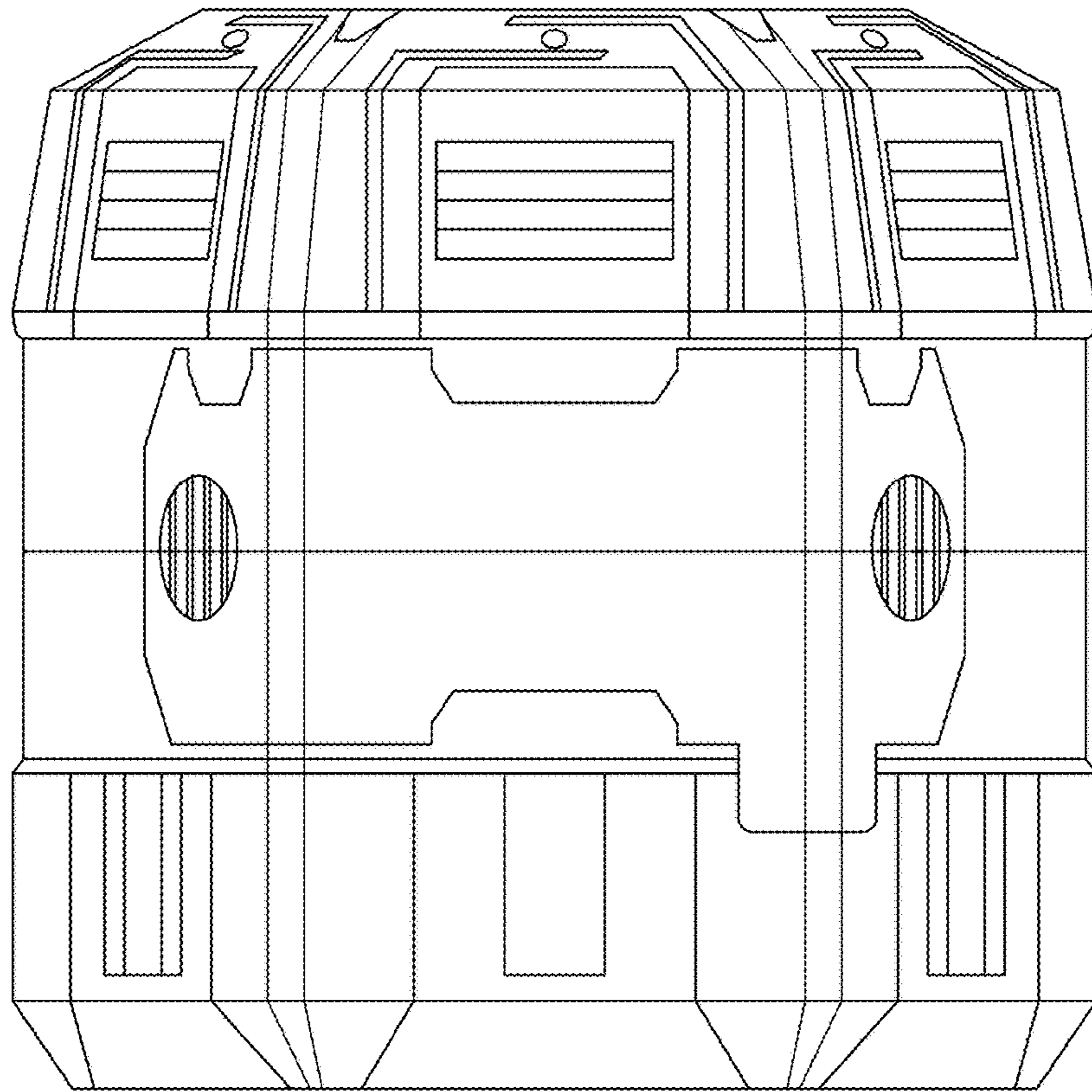


FIG. 3

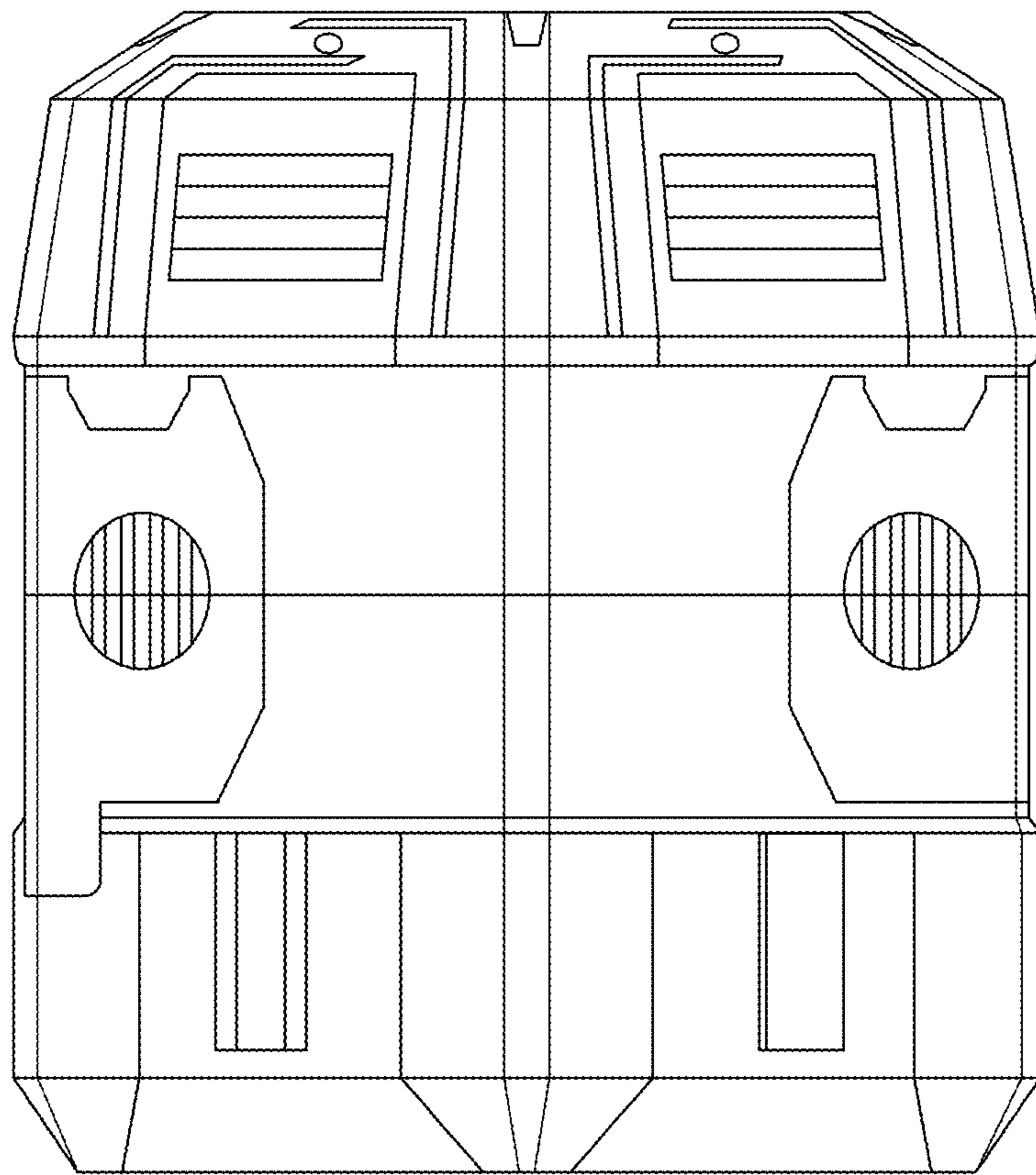


FIG. 4

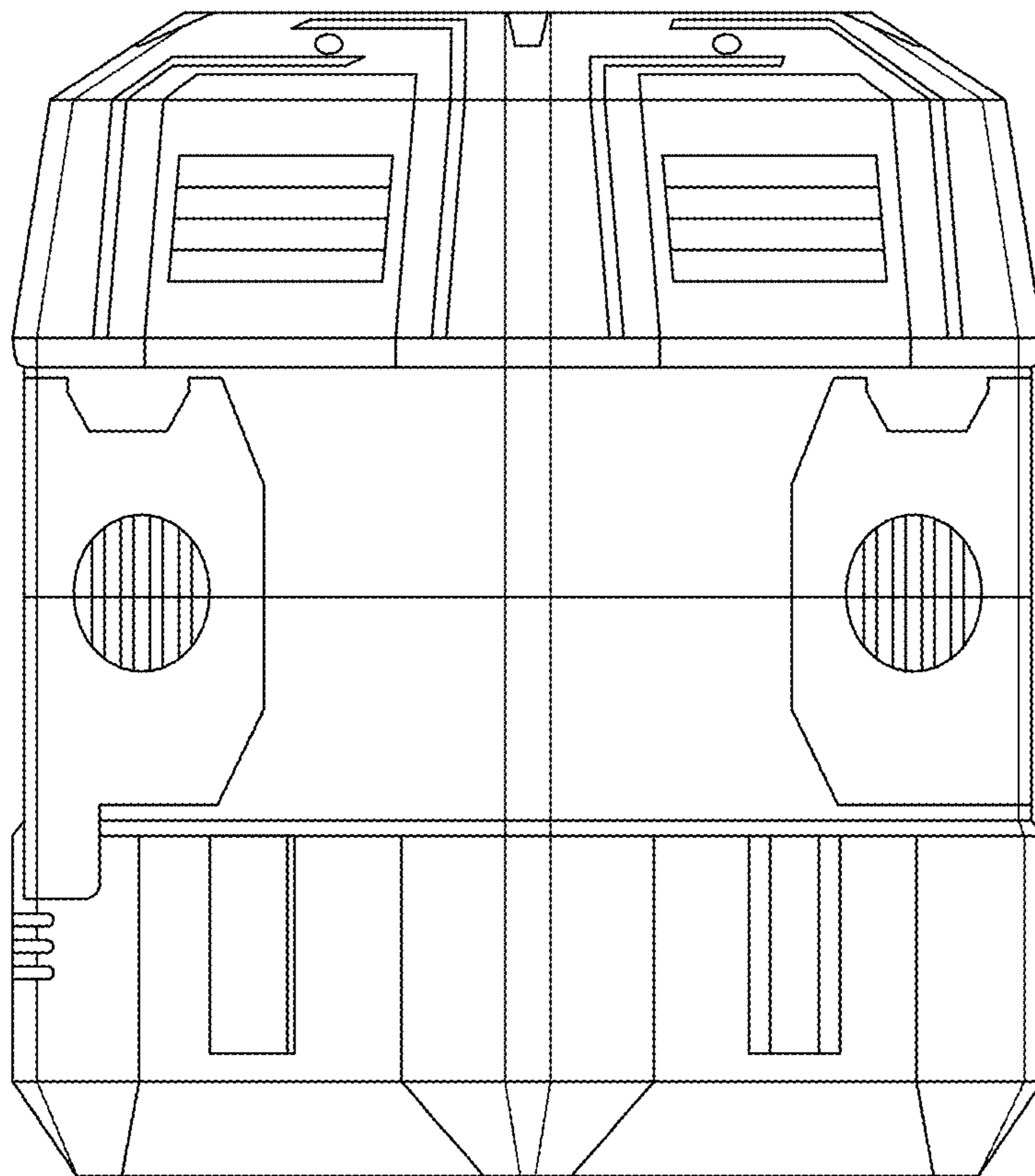


FIG. 5

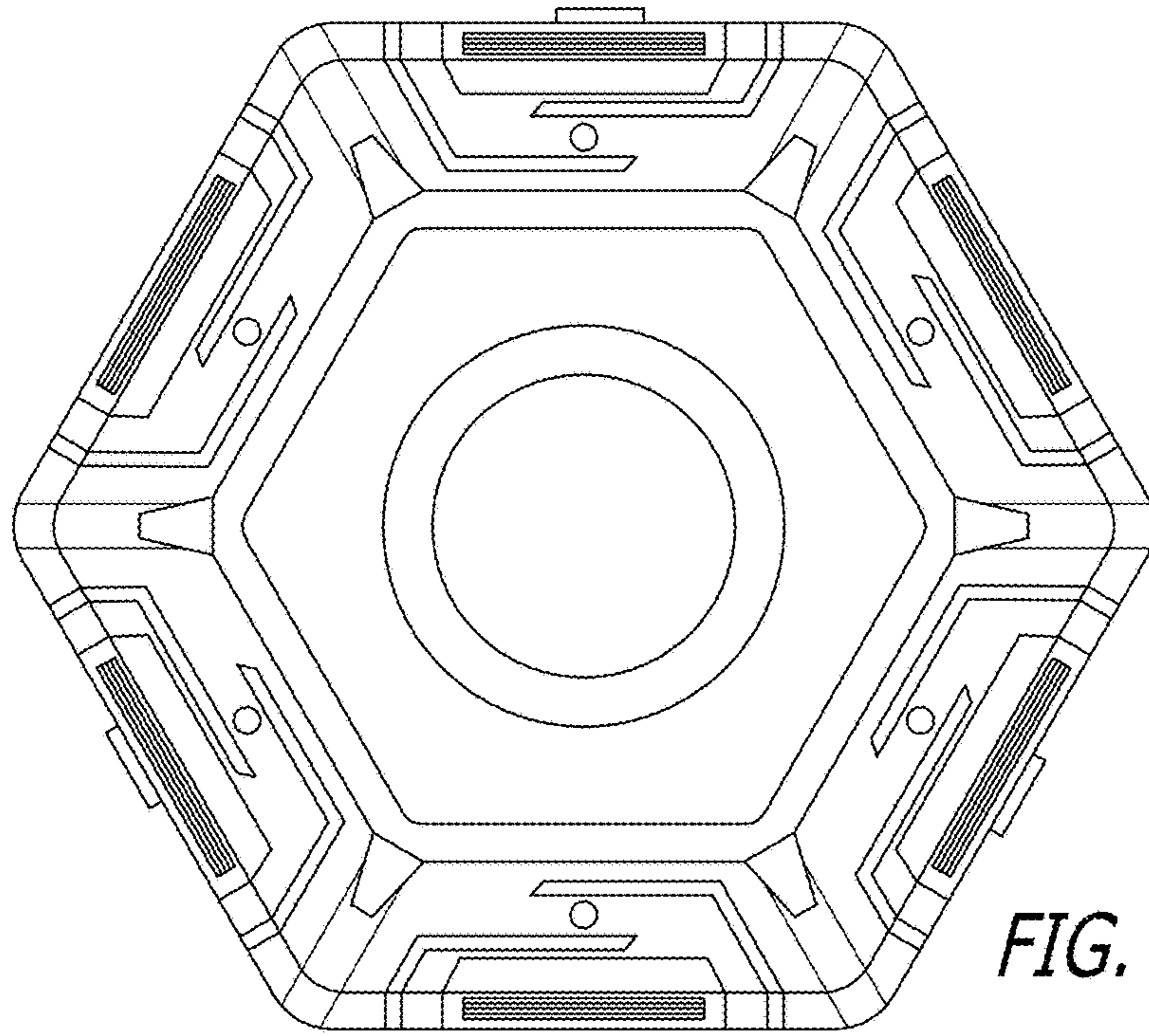


FIG. 6

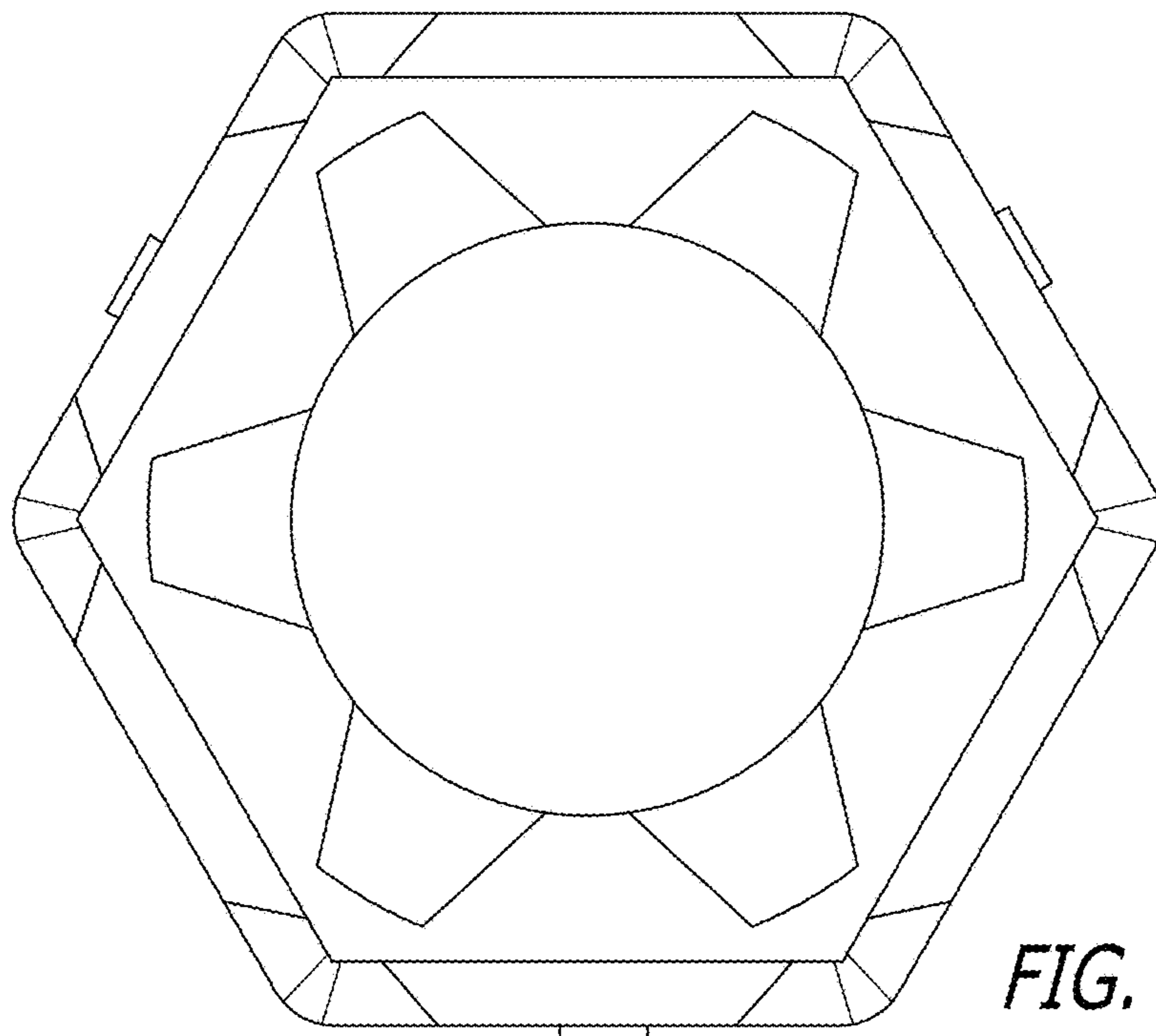


FIG. 7

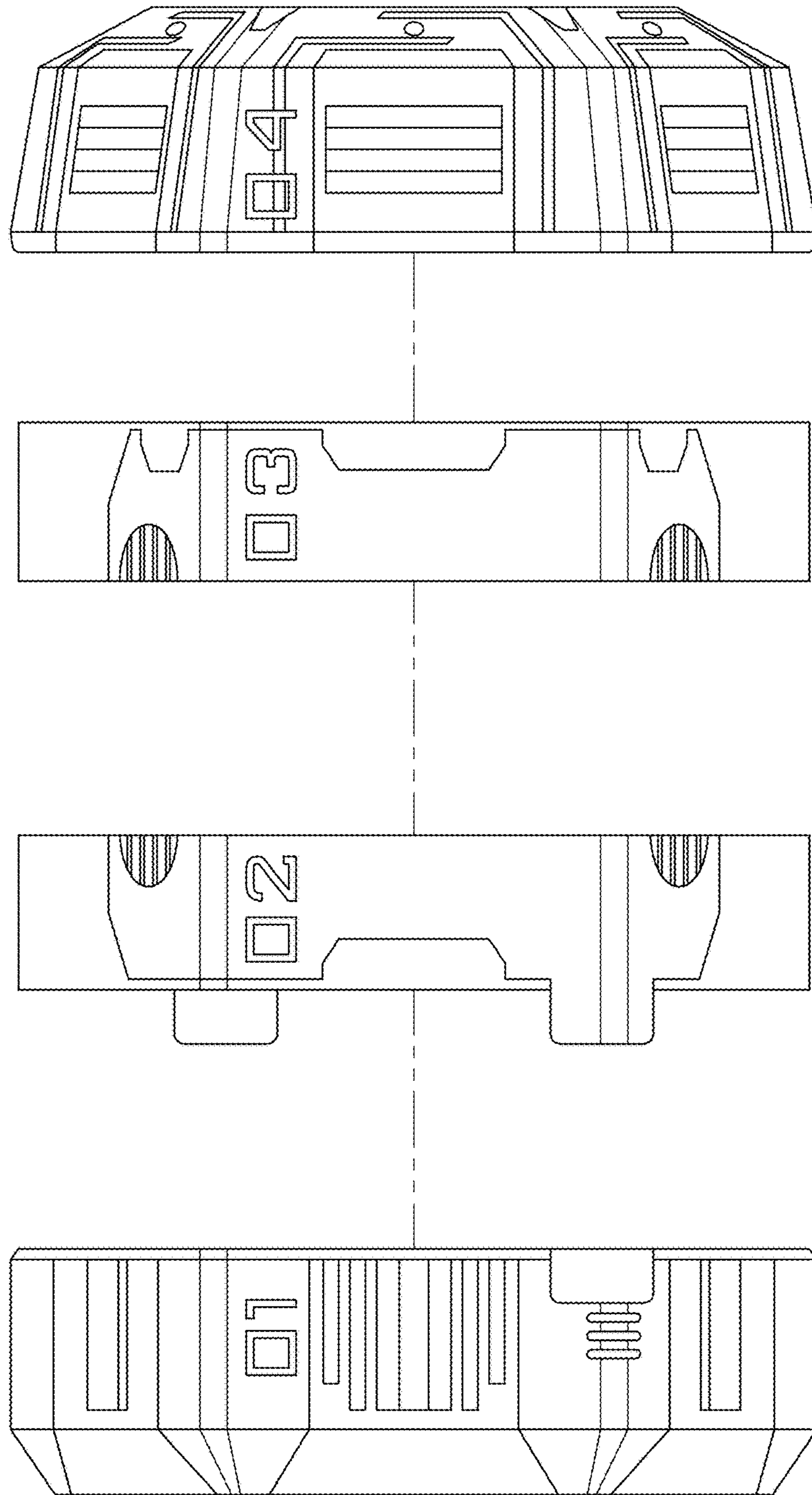


FIG. 8

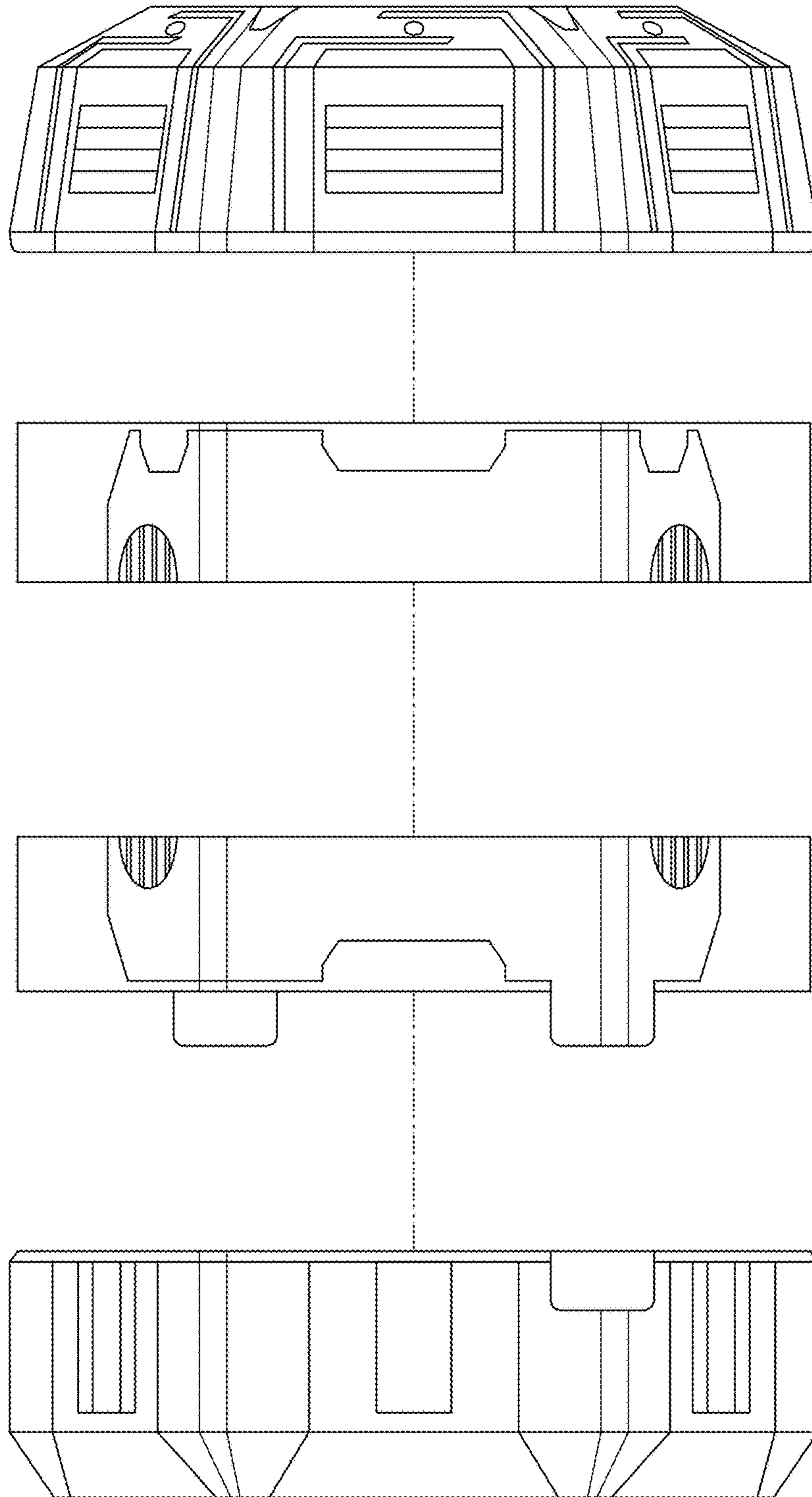


FIG. 9

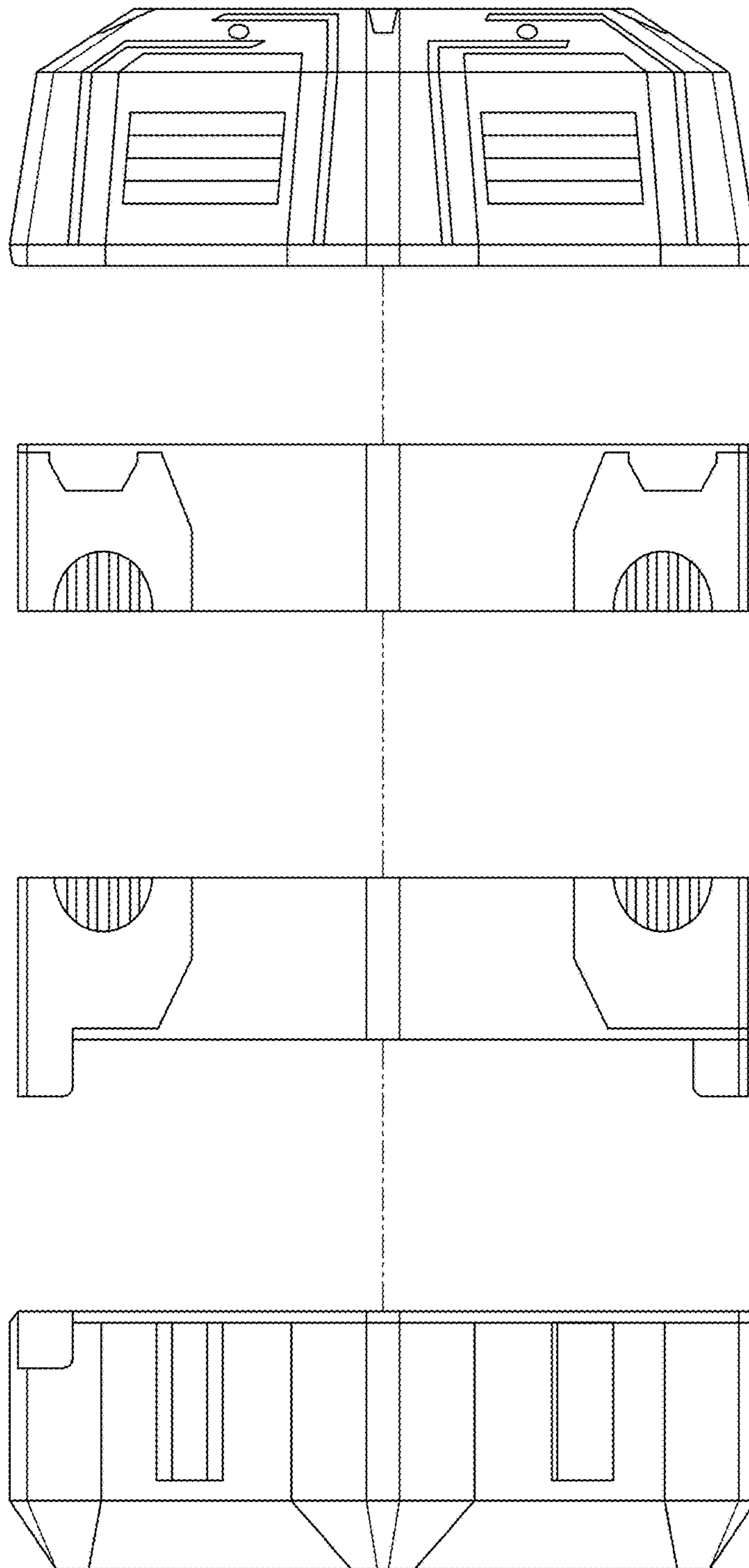


FIG. 10

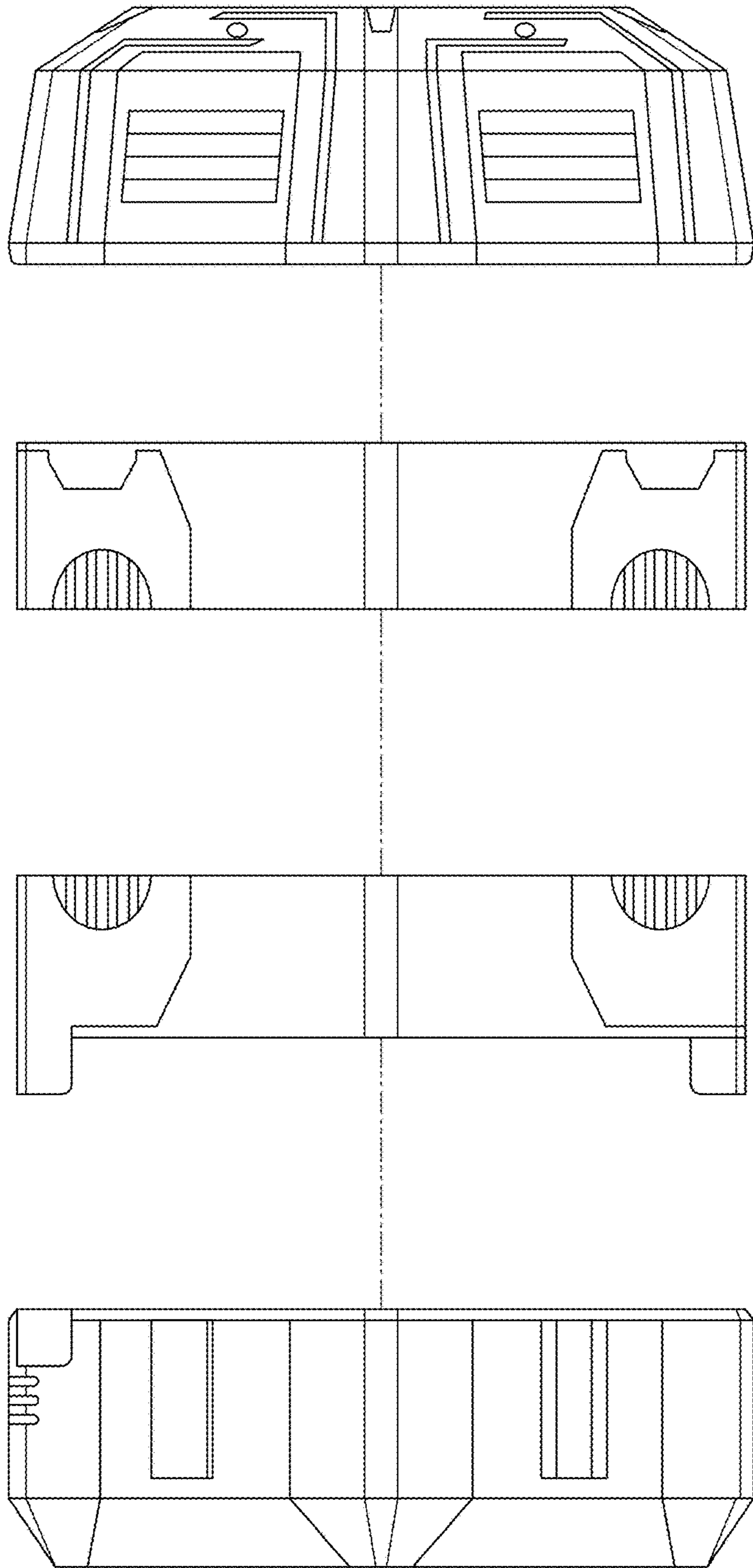


FIG. 11