



US00D829441S

(12) **United States Design Patent** (10) **Patent No.:** **US D829,441 S**
Barenbrug (45) **Date of Patent:** **** Oct. 2, 2018**

(54) **SUITCASE**
(71) Applicant: **Royalty Bugaboo GmbH**, Zug (CH)
(72) Inventor: **Max Barenbrug**, Amsterdam (NL)
(73) Assignee: **Royalty Bugaboo GmbH**, Zug (CH)
(**) Term: **15 Years**
(21) Appl. No.: **29/571,402**
(22) Filed: **Jul. 18, 2016**

D758,076 S * 6/2016 Boer D3/274
D779,823 S * 2/2017 Barenbrug D3/279
2008/0308369 A1* 12/2008 Louis A45C 5/14
190/108
2011/0168507 A1* 7/2011 Penley A45C 5/14
190/18 A

FOREIGN PATENT DOCUMENTS

AR 86566 2/2014
AU 355927 6/2014
WO Dm/083 512 2/2014

OTHER PUBLICATIONS

psfk, "Modular Luggage Design Makes Travel a Breeze", Posted Sep. 7, 2016, Accessed Oct. 6, 2016. (<http://www.psfk.com/2016/09/modular-luggage-design-makes-travel-a-breeze.html>).*

* cited by examiner

Primary Examiner — Jennifer Rivard
Assistant Examiner — April Rivas
(74) *Attorney, Agent, or Firm* — Fross Zelnick Lehrman & Zissu, P.C.; Charles T. J. Weigell, Esq.

Related U.S. Application Data

(63) Continuation-in-part of application No. 29/481,659, filed on Feb. 7, 2014.
(51) **LOC (11) Cl.** **03-01**
(52) **U.S. Cl.**
USPC **D3/279**
(58) **Field of Classification Search**
USPC D3/273, 276, 279, 281, 282, 289, 291, D3/902, 272
CPC A45C 5/00; A45C 5/03; A45C 2005/037; A45C 5/14; A45C 7/0027; A45C 7/0018; A45C 2005/032; A45C 2005/035; A45C 5/04
See application file for complete search history.

(57) **CLAIM**

The ornamental design for a suitcase, as shown and described.

(56) **References Cited**

U.S. PATENT DOCUMENTS

5,842,673 A * 12/1998 Fenton A45C 5/14
190/102
D422,409 S * 4/2000 Klenner D3/276
D425,301 S * 5/2000 Sagol D3/276
D462,169 S * 9/2002 Giovanni D3/279
D639,057 S * 6/2011 Presman D3/279
D644,436 S * 9/2011 Buller D3/279
D666,414 S * 9/2012 Giovannoni D3/279
8,936,140 B2 * 1/2015 Herold A45C 5/14
190/108
D730,050 S * 5/2015 Hogan D3/279
D743,698 S * 11/2015 Della Vecchia D3/273

DESCRIPTION

FIG. 1 is a front perspective view of a suitcase showing my new design;
FIG. 2 is a front view thereof;
FIG. 3 is a right side view thereof;
FIG. 4 is a left side view thereof;
FIG. 5 is a back side view thereof;
FIG. 6 is a top view thereof; and,
FIG. 7 is a bottom view thereof.
The broken lines showing of portions of the suitcase form no part of the claimed design.

1 Claim, 7 Drawing Sheets





FIG. 1

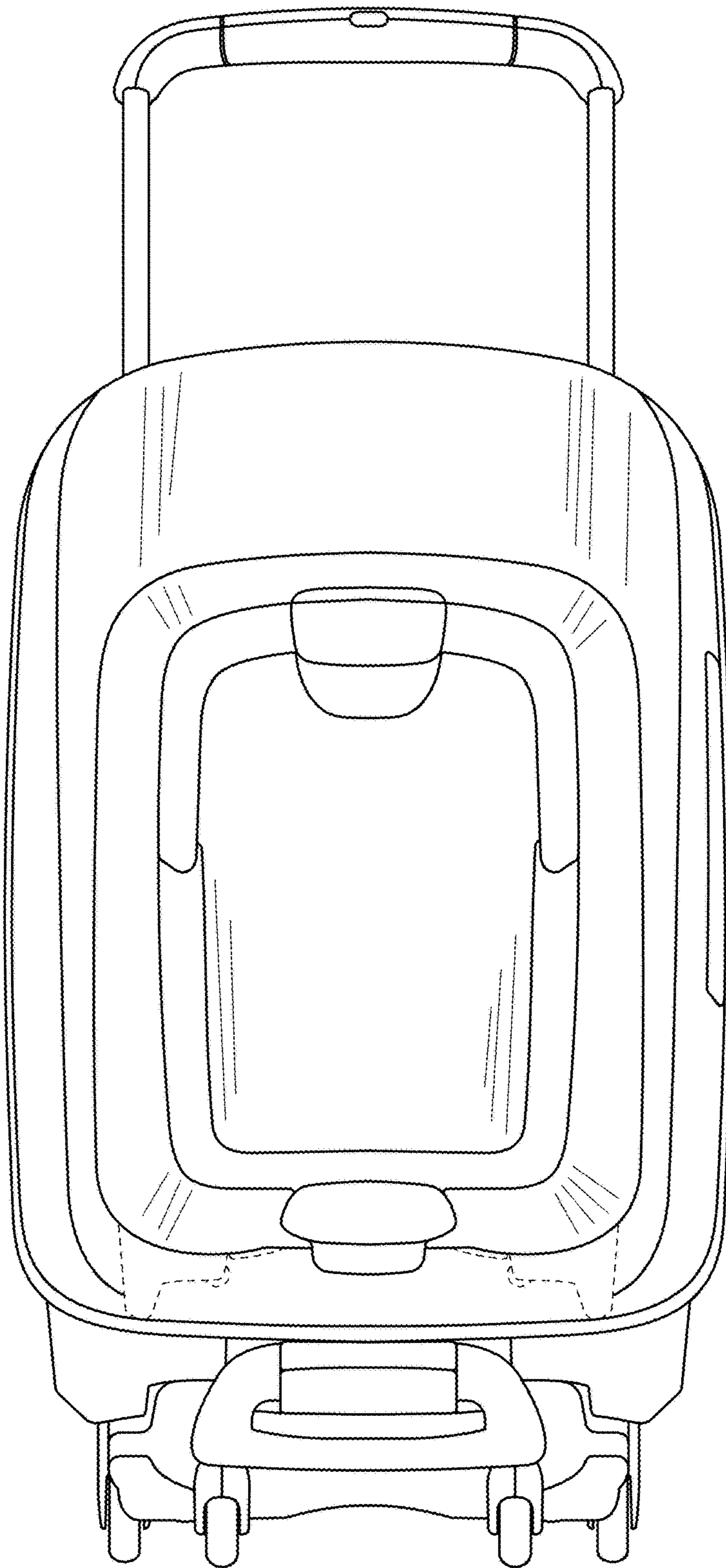


FIG. 2

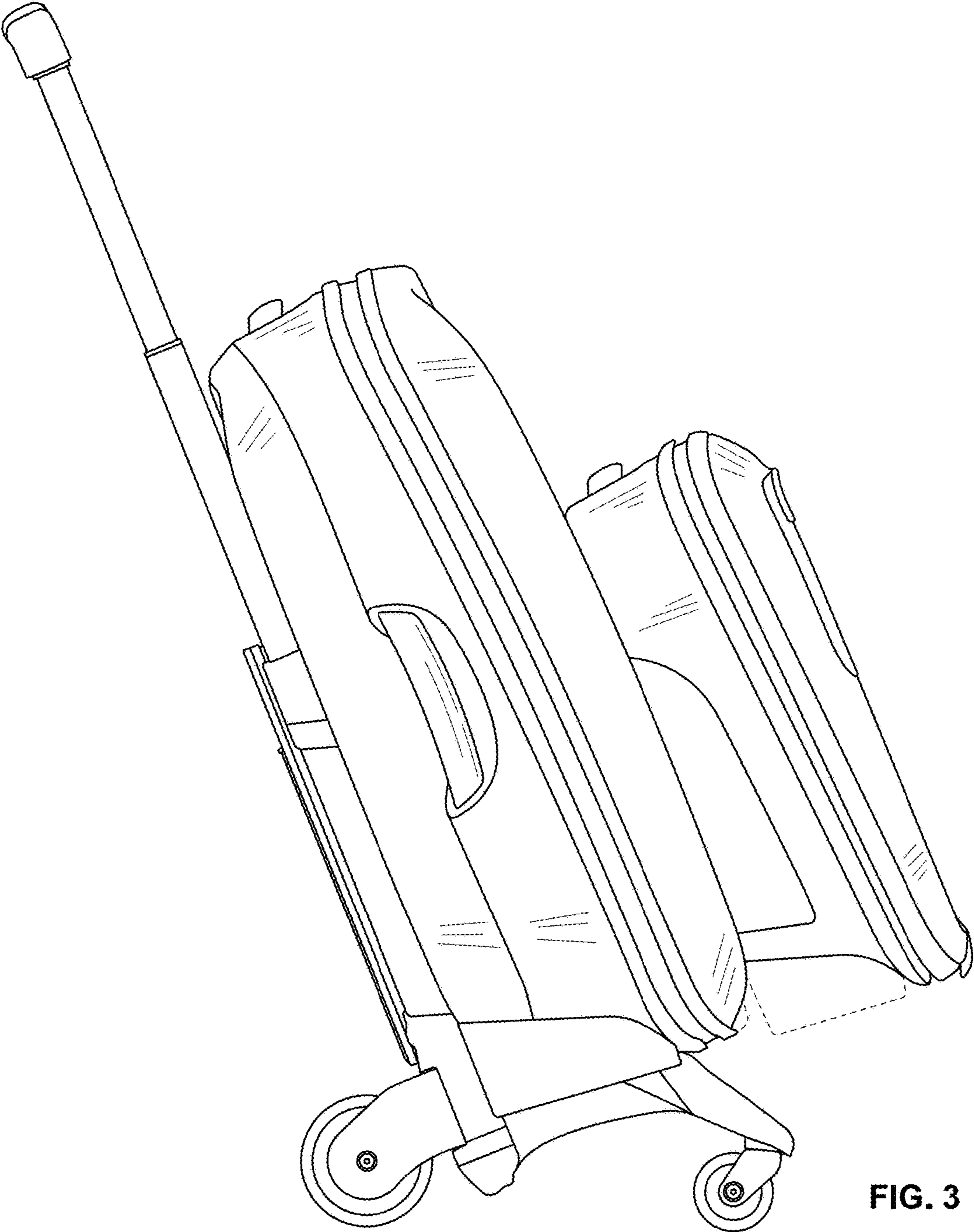


FIG. 3

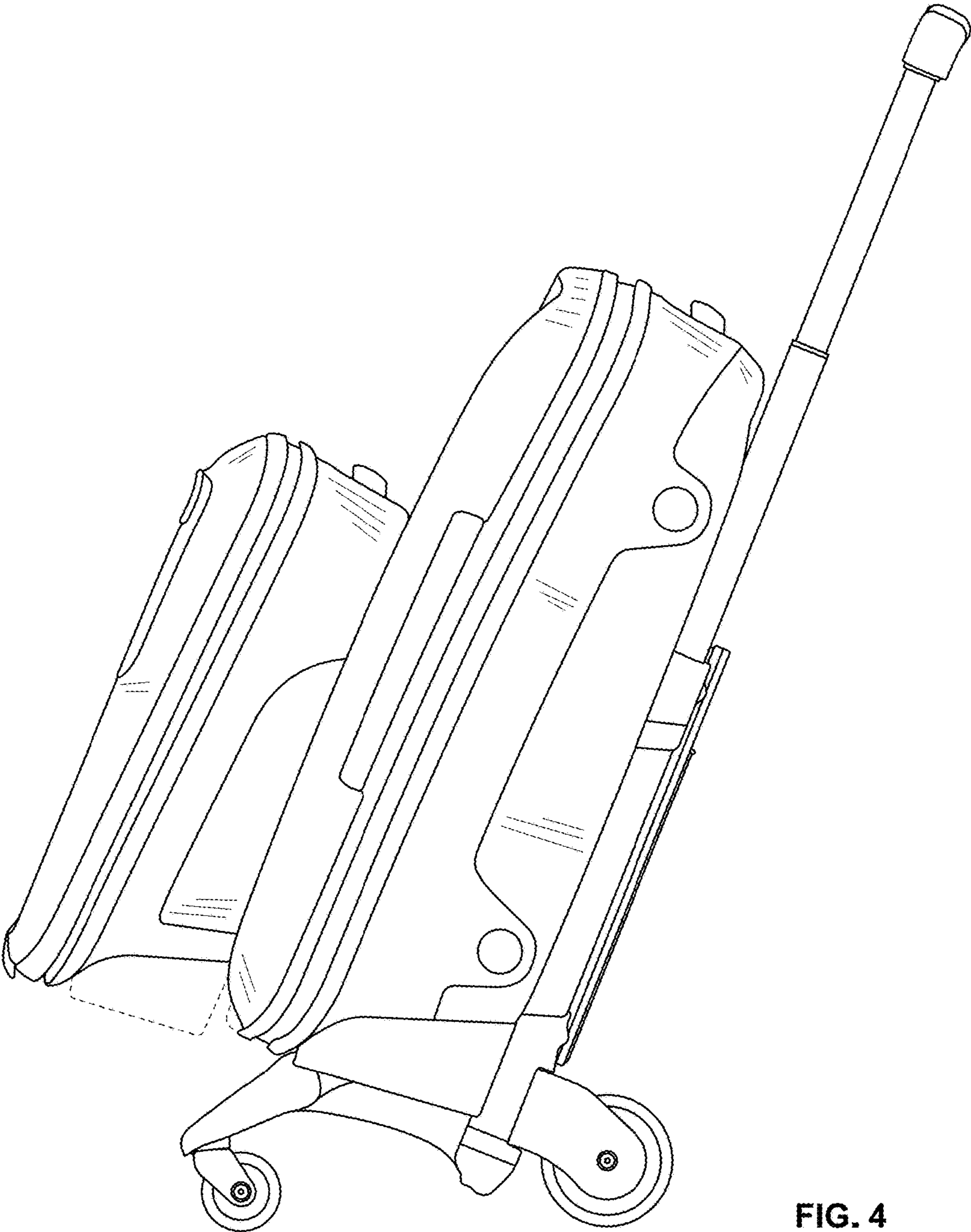


FIG. 4

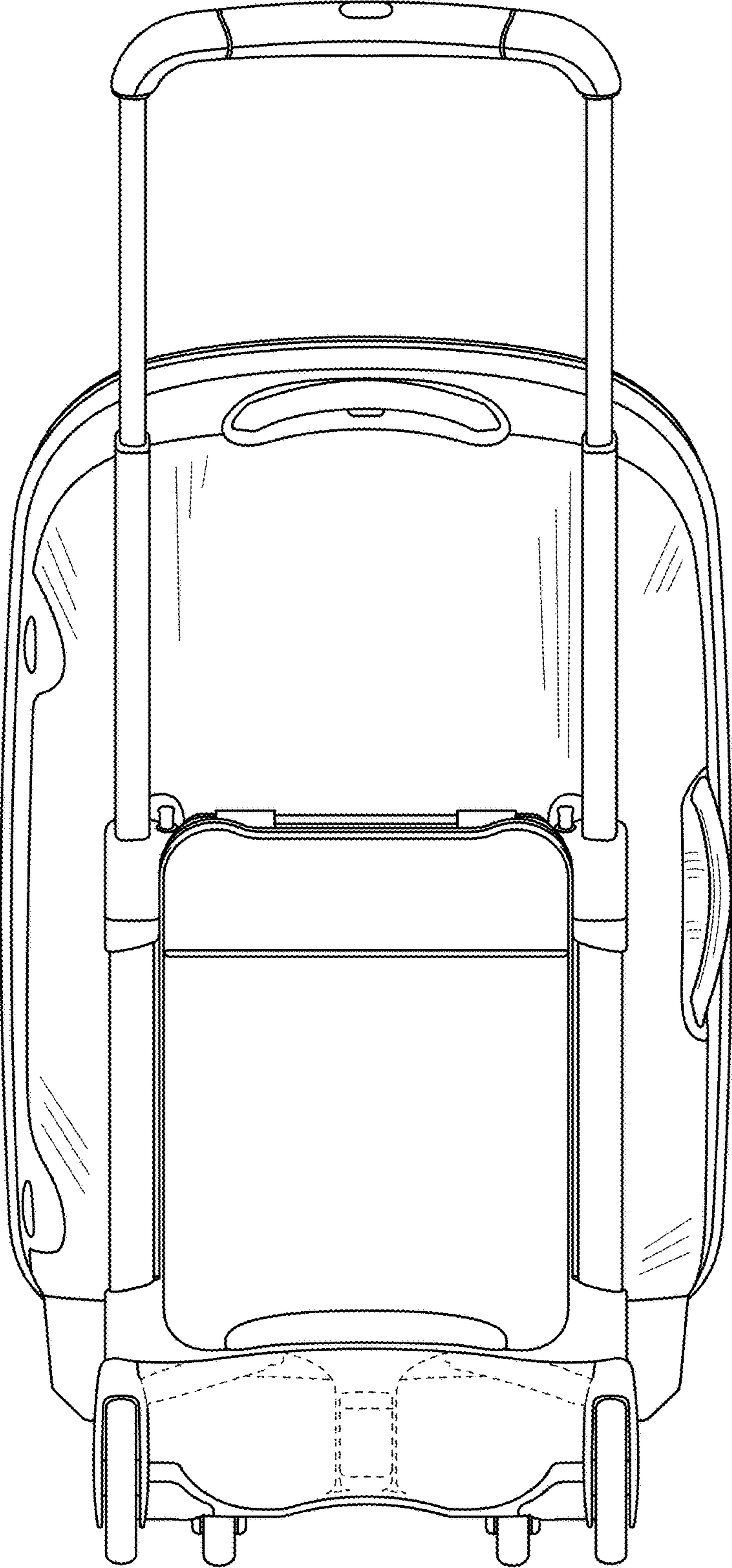


FIG. 5

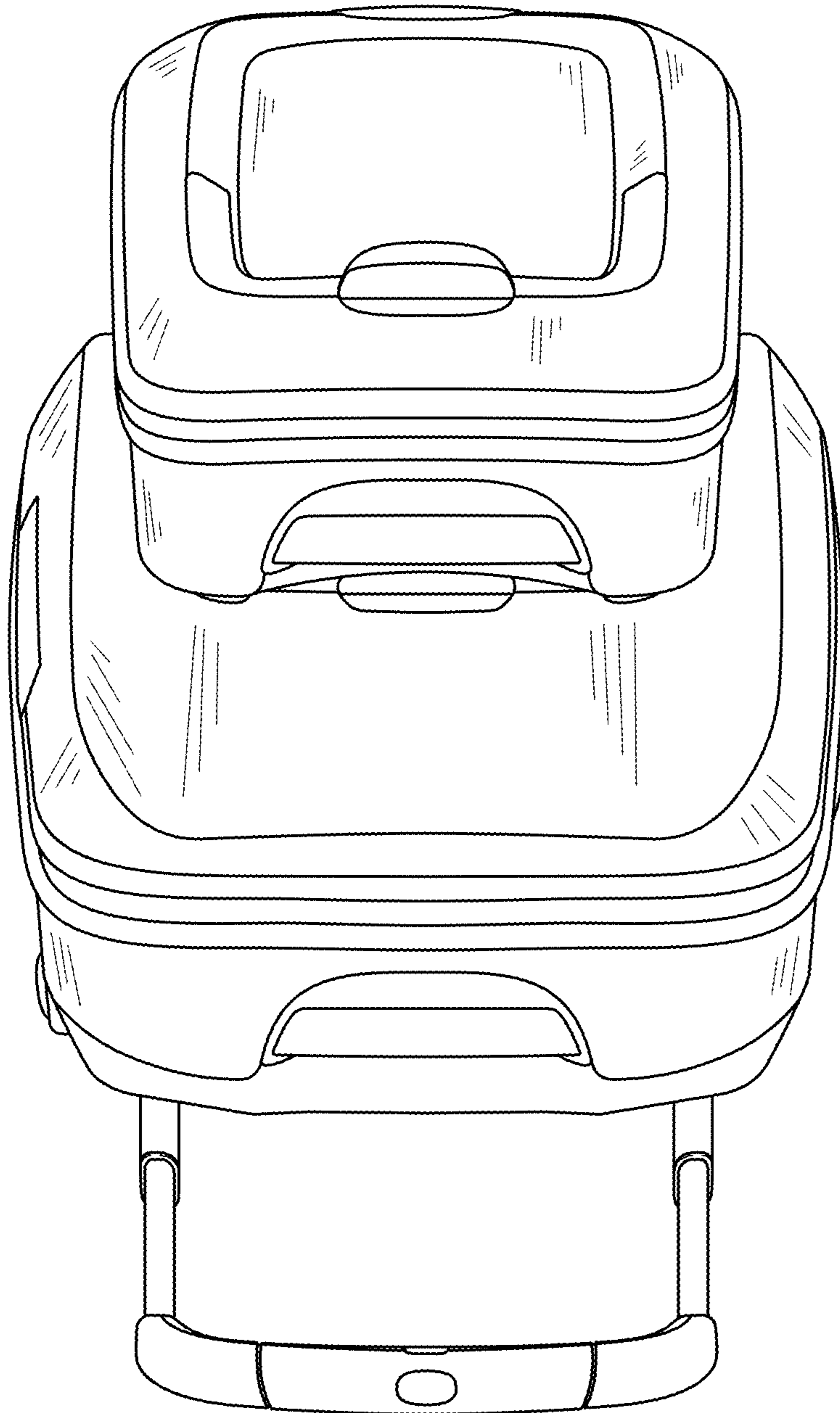


FIG. 6

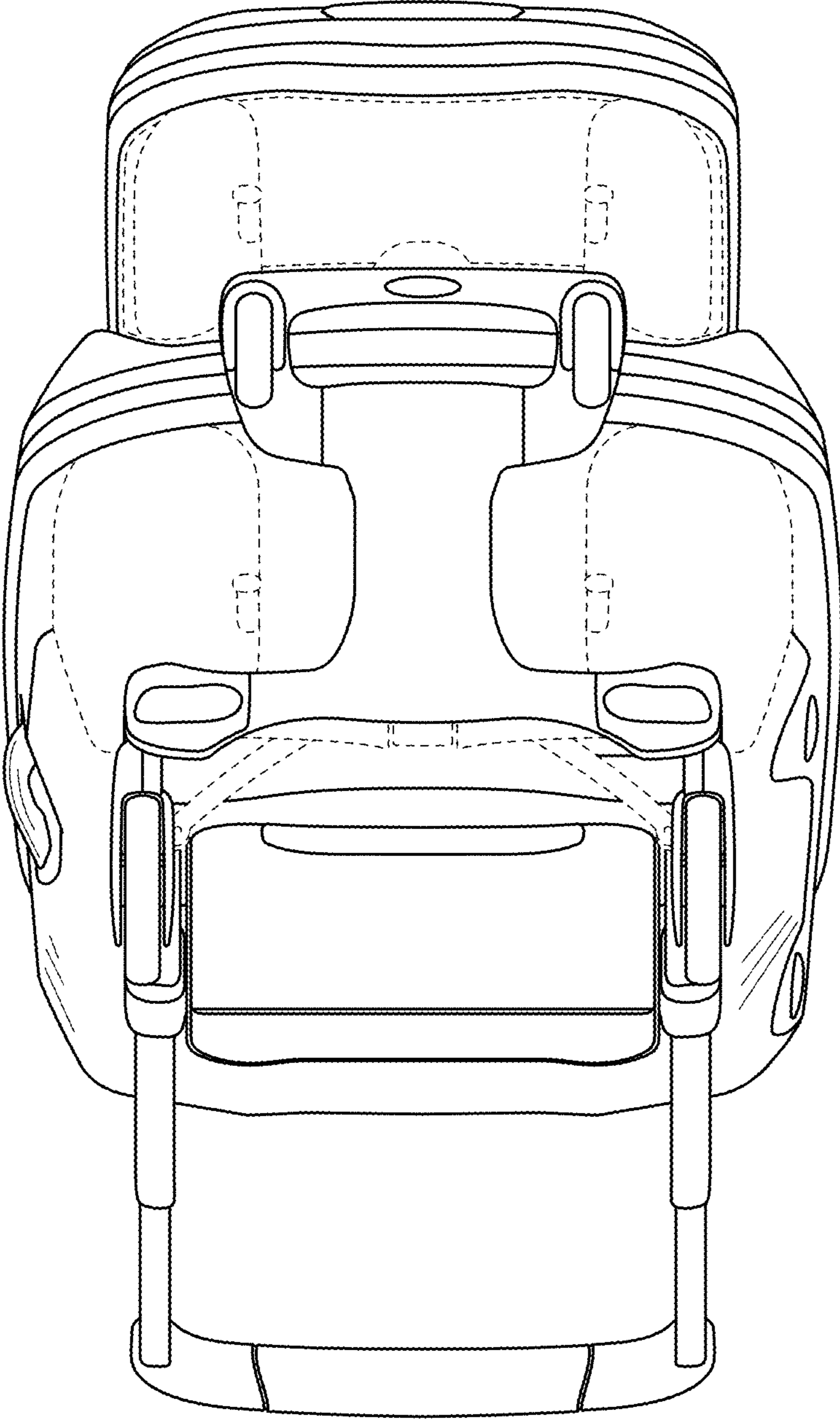


FIG. 7