



US00D829440S

(12) **United States Design Patent** (10) **Patent No.:** **US D829,440 S**
Chen (45) **Date of Patent:** **** Oct. 2, 2018**

(54) **FASTENER CONTAINER** D300,583 S * 4/1989 Smith D3/281
5,472,111 A * 12/1995 Renfrew B44D 3/126
(71) Applicant: **CHENG YU ENTERPRISES CO., LTD.**, Tainan (TW) 15/257.05
D396,749 S * 8/1998 Ortiz D3/284
D503,534 S * 4/2005 Dong D3/276
(72) Inventor: **Min-Chien Chen**, Tainan (TW) D506,608 S * 6/2005 Dong B65D 25/32
D3/276
(73) Assignee: **CHENG YU ENTERPRISES CO., LTD.**, Tainan (TW) D526,481 S * 8/2006 Dong D3/276
D587,566 S * 3/2009 Albrecht D9/424
D709,288 S * 7/2014 Luburic D3/276
(**) Term: **15 Years** 2008/0190930 A1 * 8/2008 Vogel B65D 21/0222
220/276
(21) Appl. No.: **29/585,722** 2009/0026203 A1 * 1/2009 Selina B65D 43/0256
220/276

(22) Filed: **Nov. 28, 2016**
(51) **LOC (11) Cl.** **03-01**
(52) **U.S. Cl.**
USPC **D3/276; D3/905**
(58) **Field of Classification Search**
USPC D3/203.6, 217, 218, 233, 249, 269, 274,
D3/276, 279, 282, 284, 288, 289, 290,
D3/900, 901, 902, 905, 313, 903, 272,
D3/302, 261, 232
CPC .. B65D 85/68; A45C 3/00; A45C 5/00; A45C
2003/007; A45C 2003/008; A45C 5/03;
A45C 5/04; A45C 7/0036; A45C
2009/007; A45C 11/16; A45C 7/00; A45C
7/0059; A45C 5/14; A45C 9/00; B25H
3/02
See application file for complete search history.

(56) **References Cited**
U.S. PATENT DOCUMENTS
D233,218 S * 10/1974 Lynn D32/53
3,866,791 A * 2/1975 Roper B65D 1/14
206/519

* cited by examiner

Primary Examiner — Jennifer Rivard
Assistant Examiner — April Rivas
(74) *Attorney, Agent, or Firm* — J.C. Patents

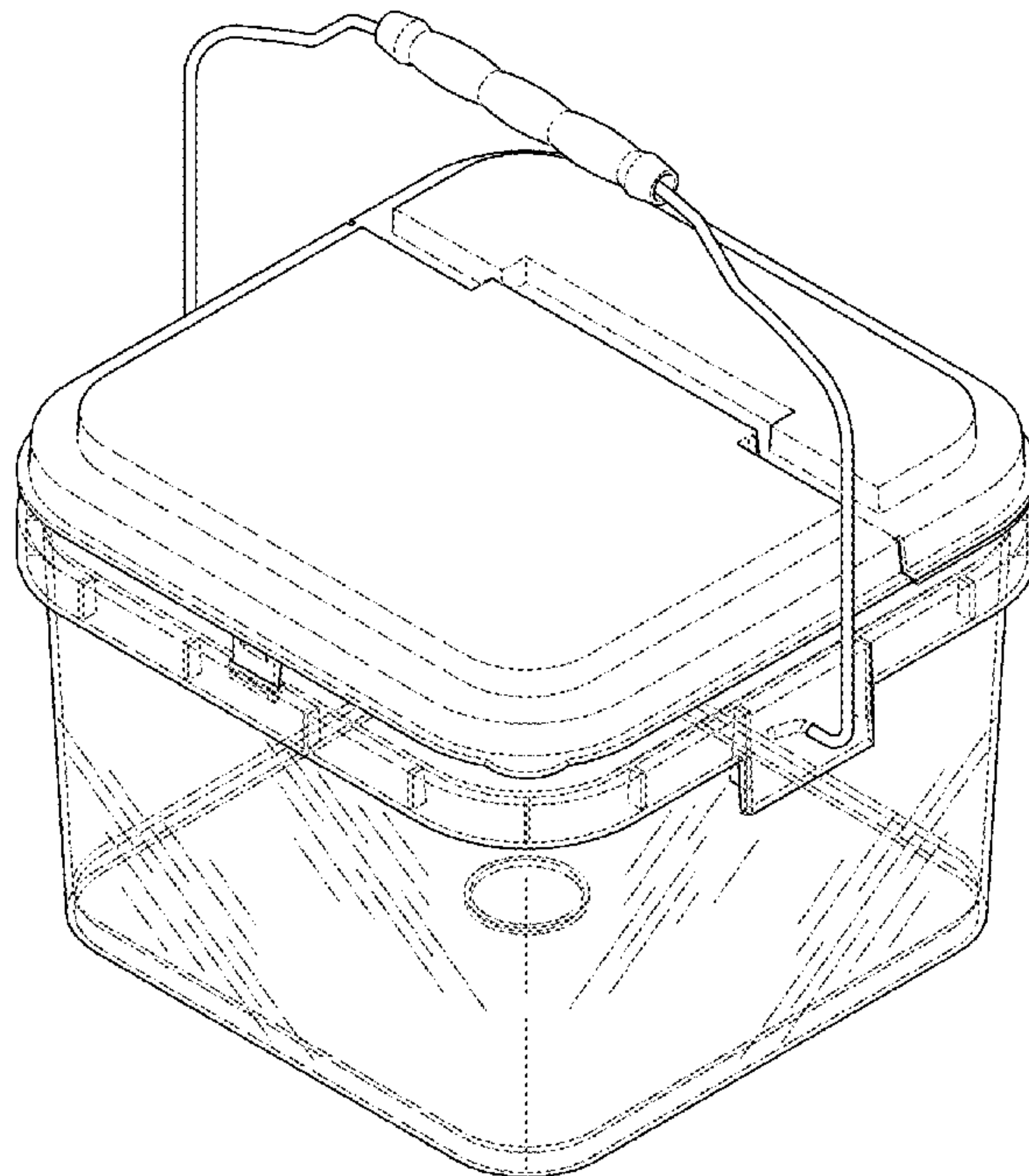
(57) **CLAIM**

The ornamental design for a fastener container, as shown and described.

DESCRIPTION

FIG. 1 is a perspective view of a fastener container;
FIG. 2 is a front view thereof;
FIG. 3 is a rear view thereof;
FIG. 4 is a left side view thereof;
FIG. 5 is a right side view thereof;
FIG. 6 is a top view thereof; and,
FIG. 7 is a bottom view thereof.

1 Claim, 6 Drawing Sheets



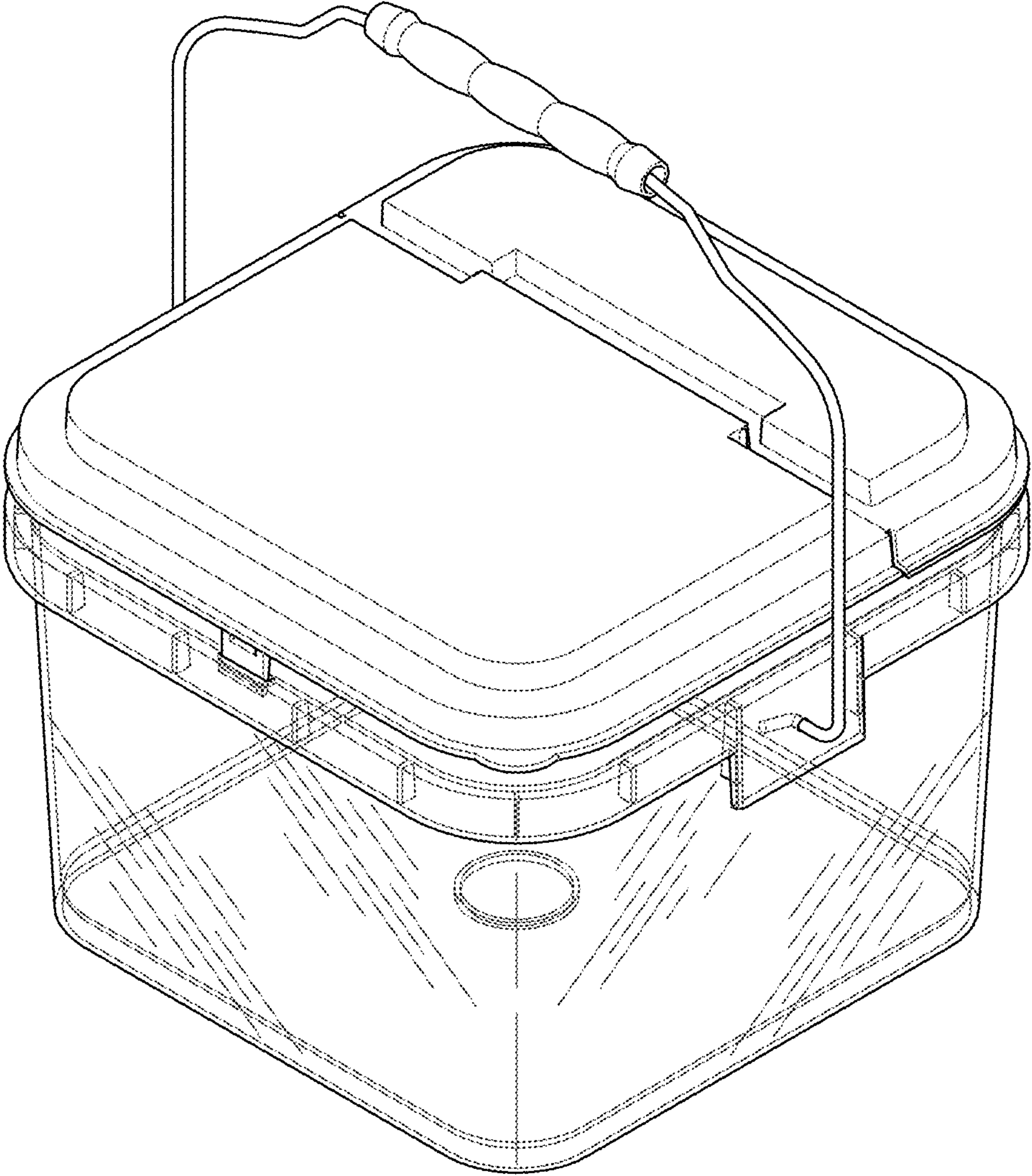


FIG 1

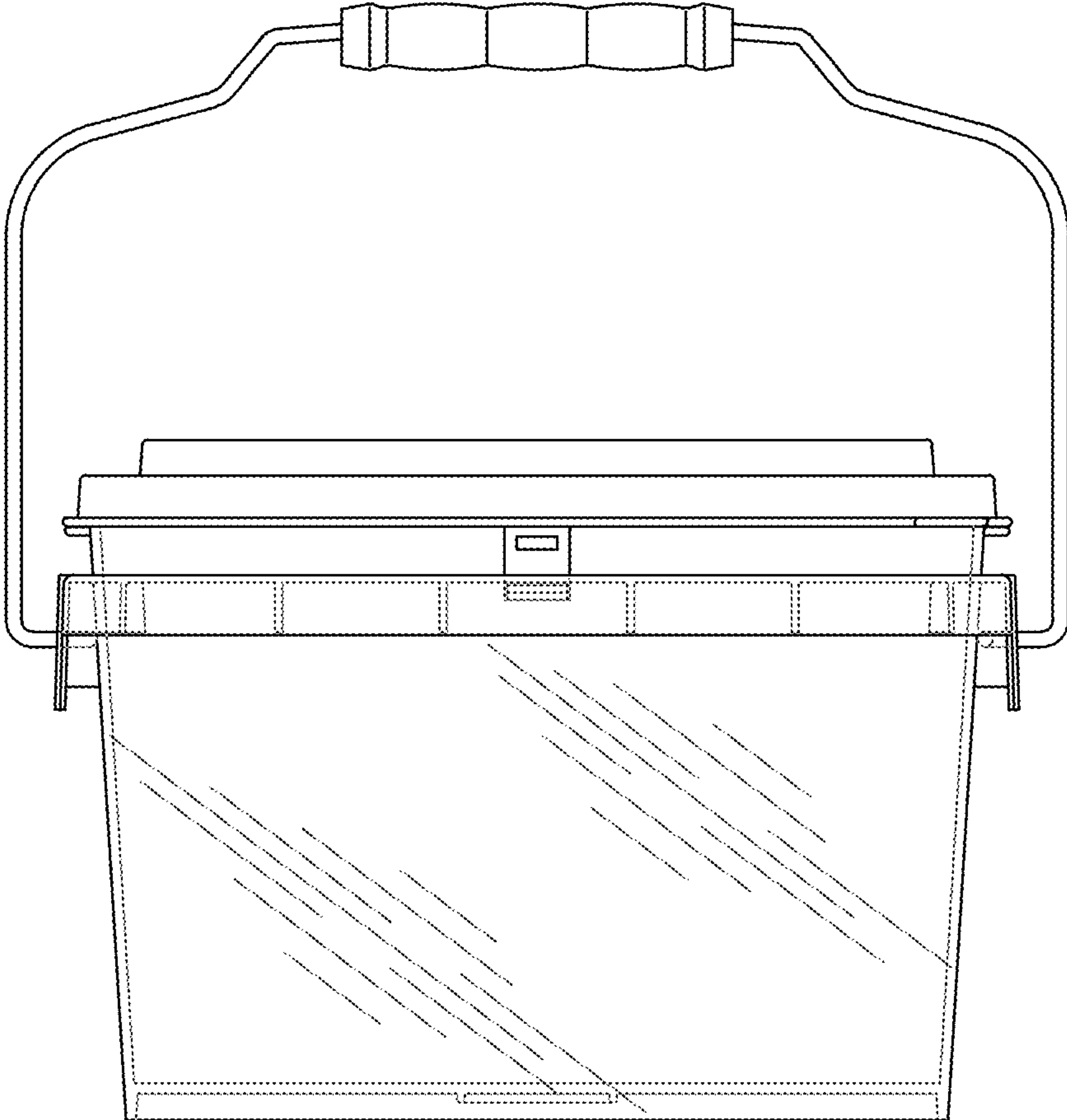


FIG 2

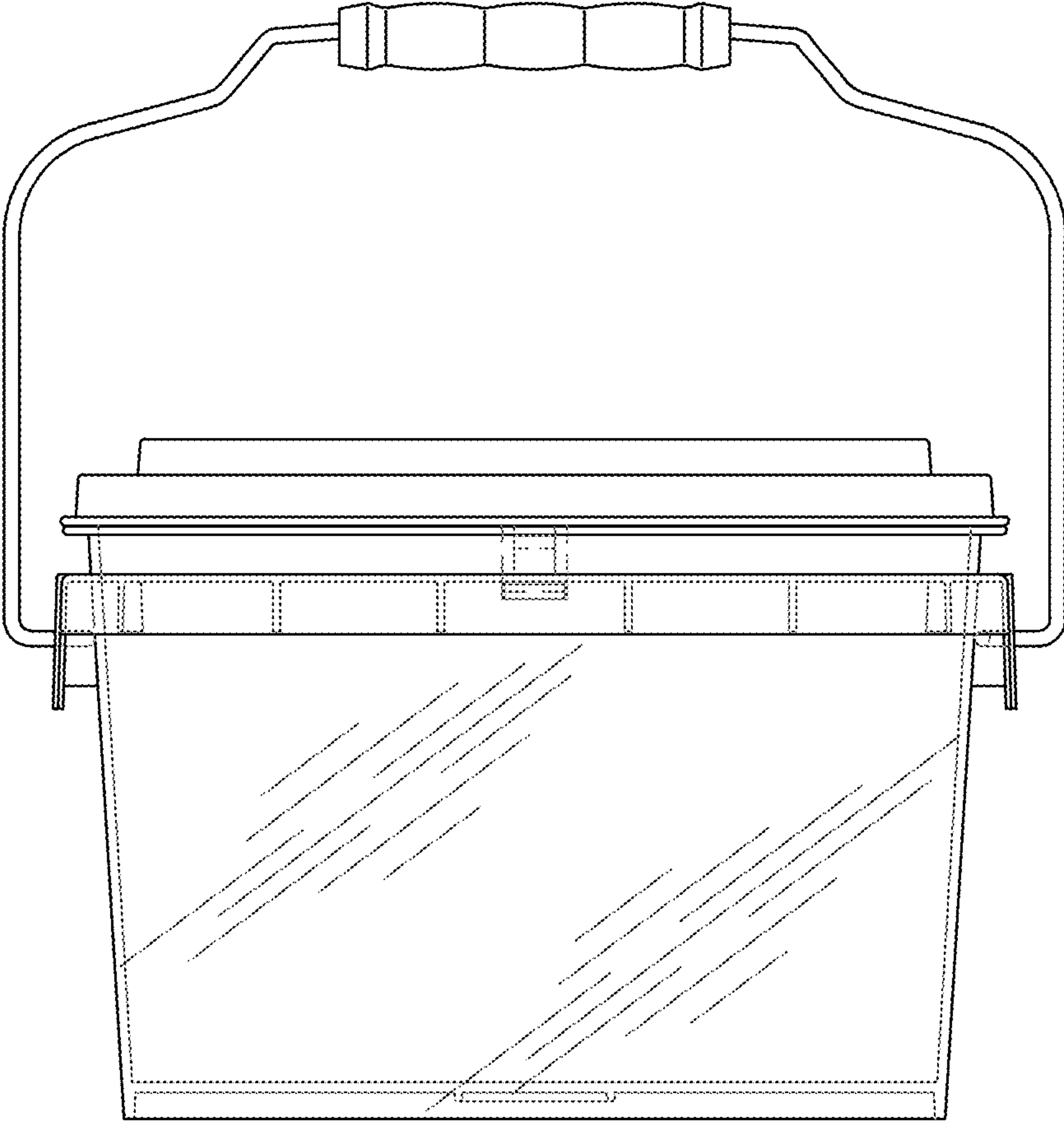


FIG 3

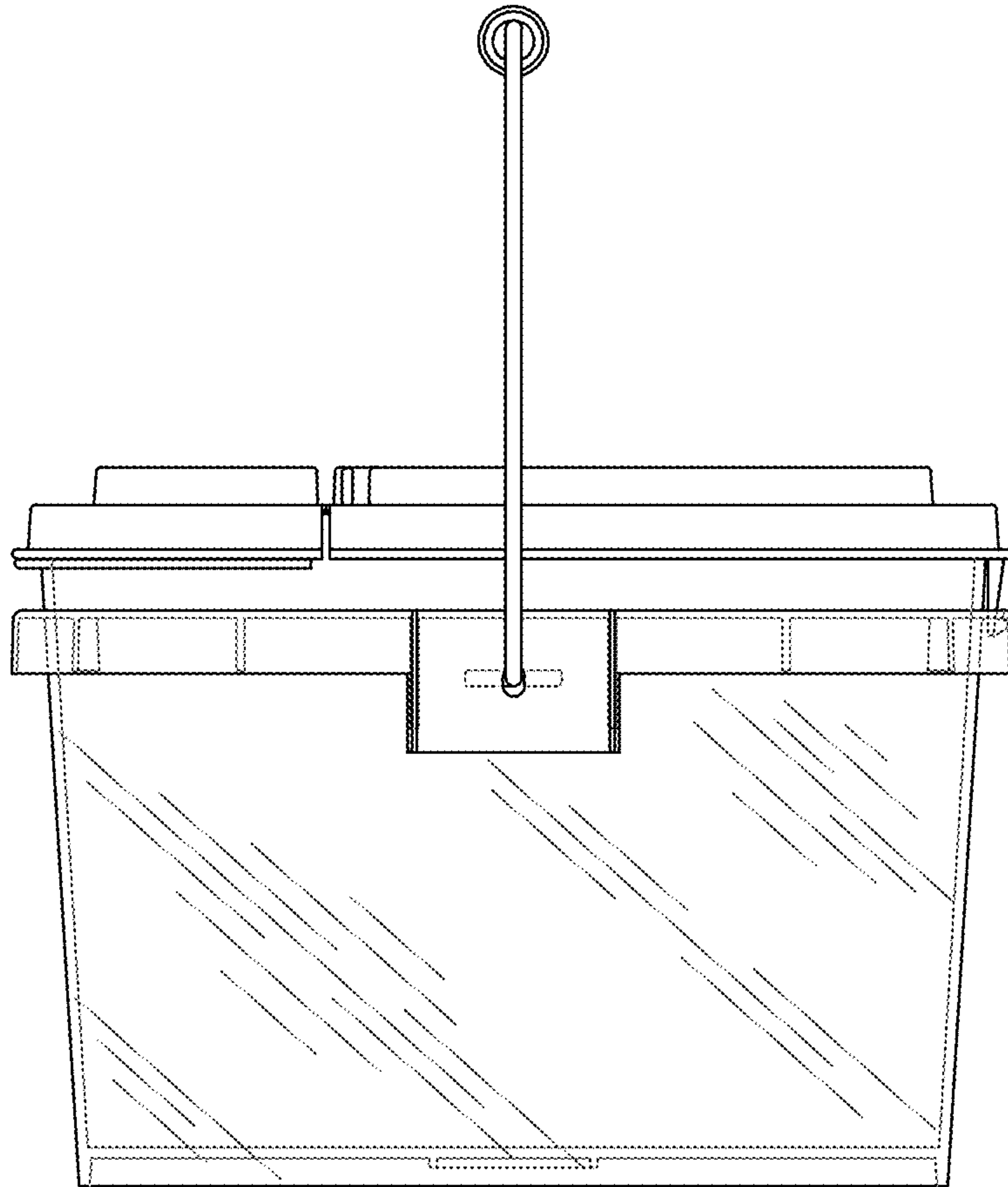


FIG 4

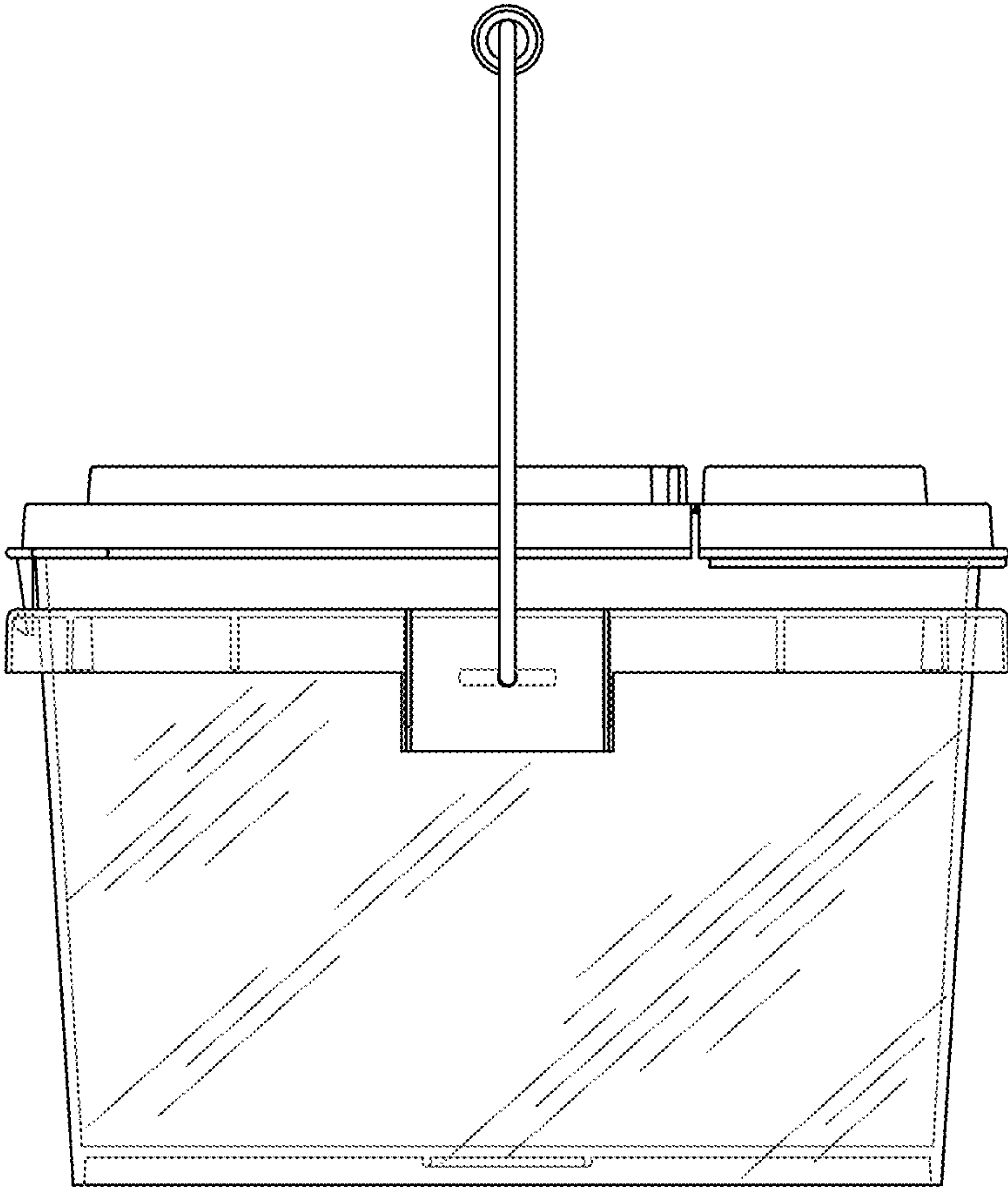


FIG 5

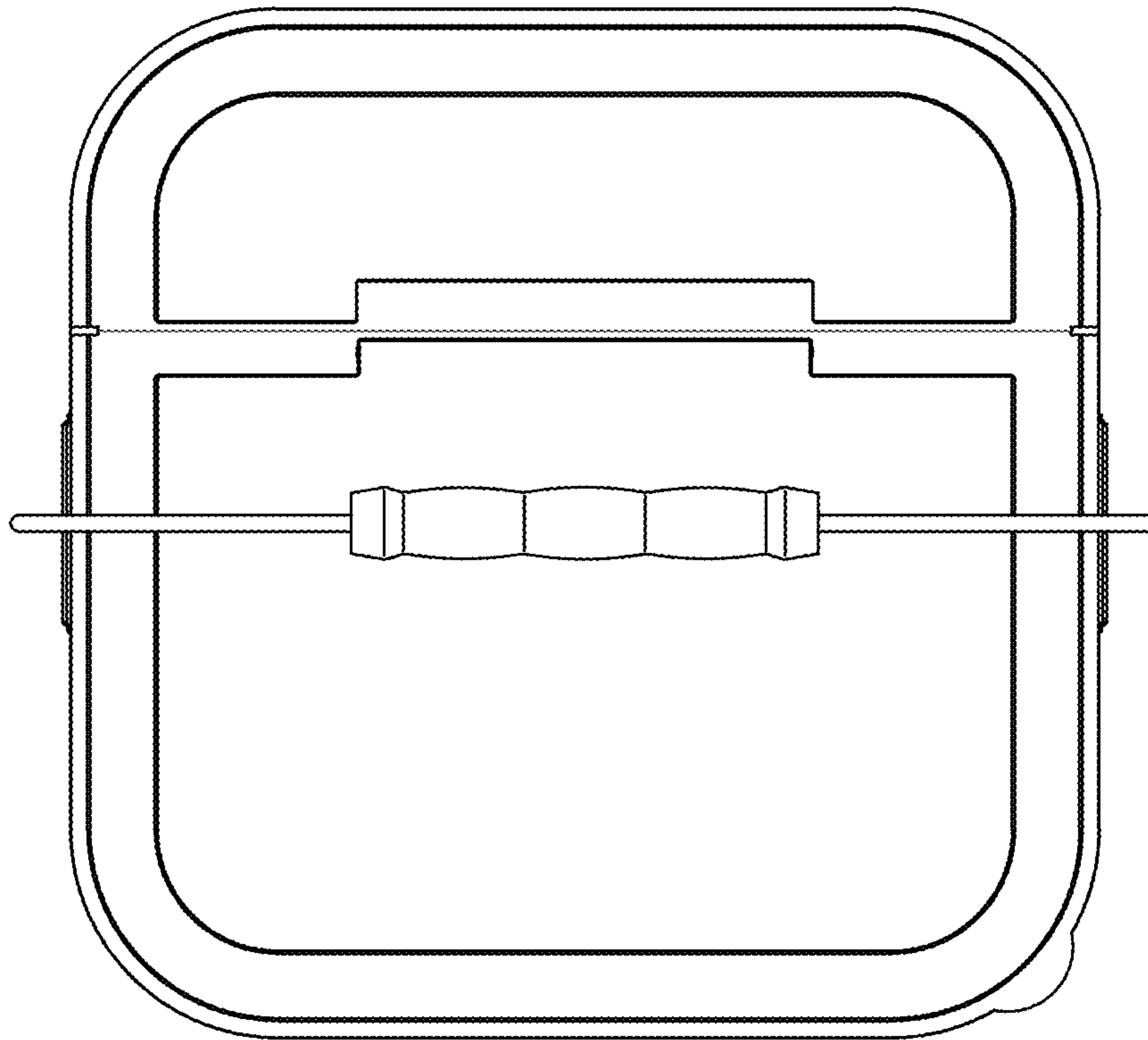


FIG 6

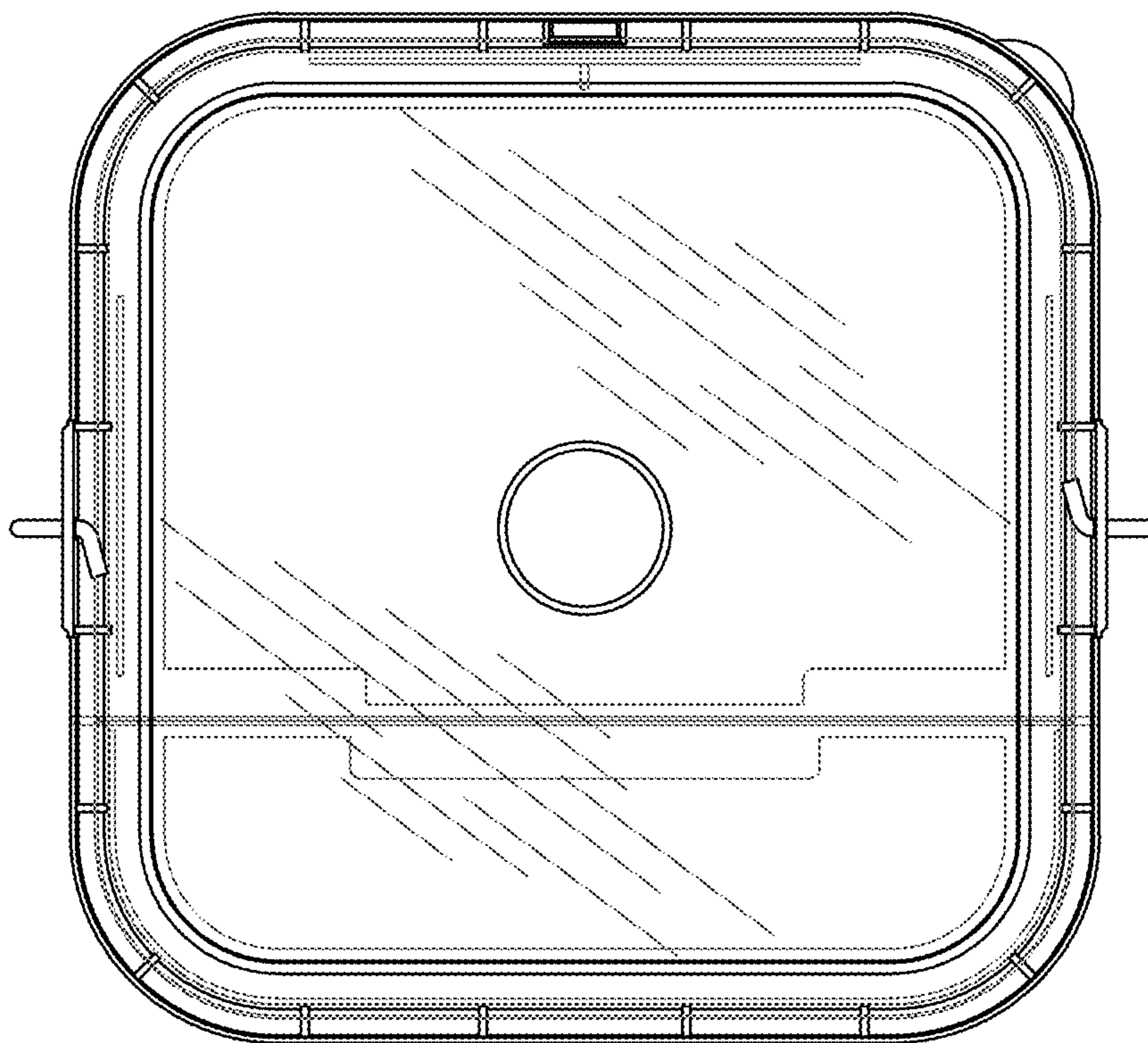


FIG 7