



US00D829439S

(12) **United States Design Patent**
McCune et al.

(10) **Patent No.:** **US D829,439 S**
(45) **Date of Patent:** **** Oct. 2, 2018**

(54) **MODULAR STORAGE**

(71) Applicant: **Plano Molding Company**, Plano, IL (US)

(72) Inventors: **Clark McCune**, Roanoke, TX (US);
Thomas Africa, Lebanon, OH (US);
Ryan Berger, Columbus, OH (US);
Emily Stokes, Columbus, OH (US)

(73) Assignee: **Plano Molding Company**, Plano, IL (US)

(**) Term: **15 Years**

(21) Appl. No.: **29/610,017**

(22) Filed: **Jul. 7, 2017**

(51) **LOC (11) Cl.** **03-01**

(52) **U.S. Cl.**

USPC **D3/273; D3/232**

(58) **Field of Classification Search**

USPC **D3/232, 246, 269, 272-273**

CPC .. **A45C 1/024; A45C 3/06; A45C 5/00; A45C 5/14**

See application file for complete search history.

(56) **References Cited**

U.S. PATENT DOCUMENTS

D476,480 S *	7/2003	Hillman	D3/263
D758,719 S *	6/2016	Harper	D3/232
D765,967 S *	9/2016	Boroski	D3/232
D766,571 S *	9/2016	Boroski	D3/232

* cited by examiner

Primary Examiner — Holly H Baynham

(74) *Attorney, Agent, or Firm* — Leason Ellis LLP

(57) **CLAIM**

We claim the ornamental design for a modular storage, as shown and described.

DESCRIPTION

FIG. 1 is a left perspective view of the modular storage inserted in a crate;

FIG. 2 is a front view of the modular storage in the crate, shown in FIG. 1;

FIG. 3 is a rear view of the modular storage in the crate, shown in FIG. 1;

FIG. 4 is a left side view of the modular storage in the crate, shown in FIG. 1;

FIG. 5 is a right side view of the modular storage in the crate, shown in FIG. 1;

FIG. 6 is a top view of the modular storage in the crate, shown in FIG. 1;

FIG. 7 is a bottom view of the modular storage in the crate, shown in FIG. 1;

FIG. 8 is an exploded left perspective view of the modular storage with crate, shown in FIG. 1;

FIG. 9 is a front view of the modular storage shown in FIG. 1;

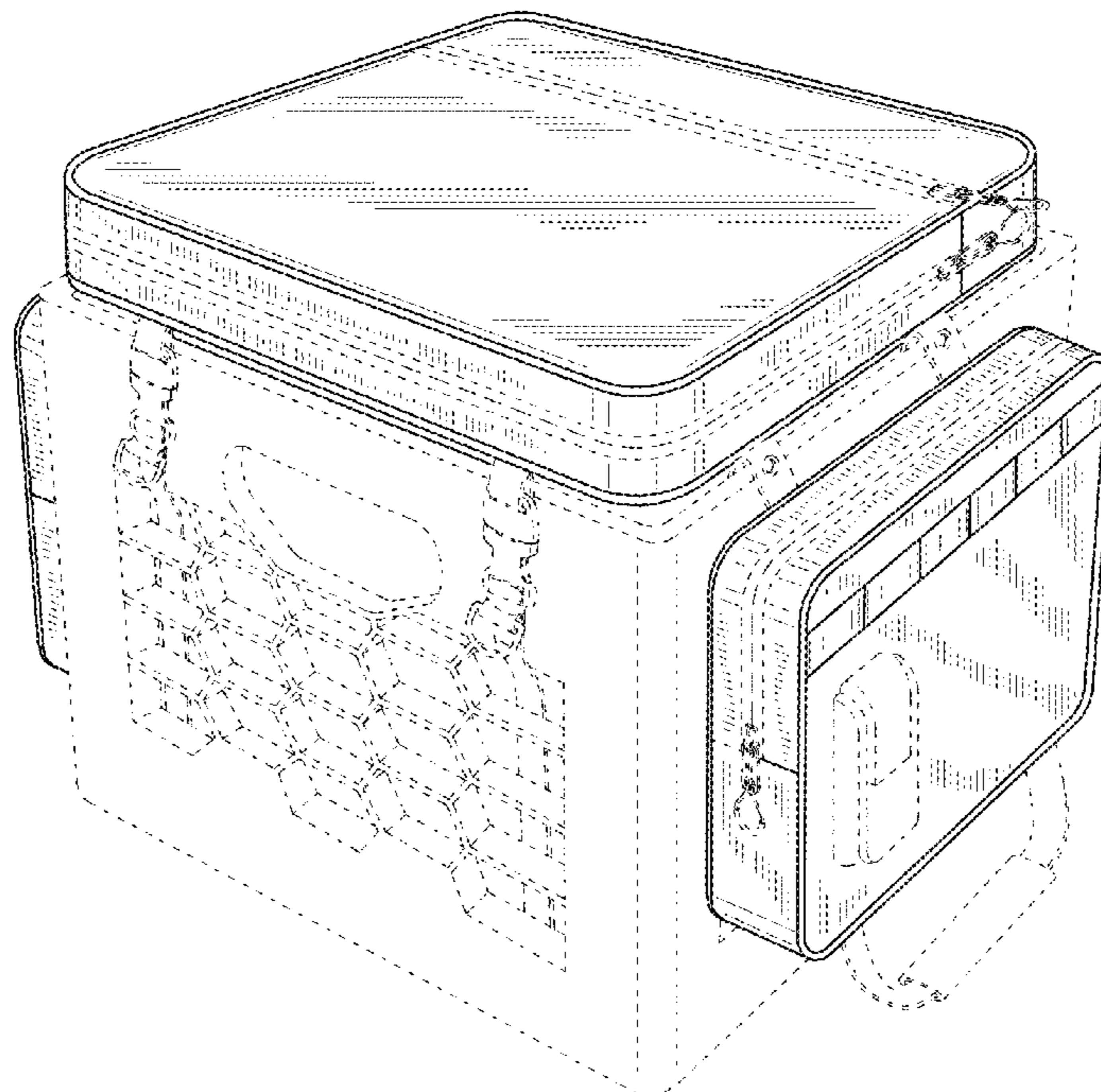
FIG. 10 is a rear view of the modular storage shown in FIG. 1;

FIG. 11 is a left side view of the modular storage shown in FIG. 1; and,

FIG. 12 is a right side view of the modular storage shown in FIG. 1.

The subject matter shown in dashed lines, and any surfaces of the design not shown, including interior surfaces, form no part of the claimed invention.

1 Claim, 12 Drawing Sheets



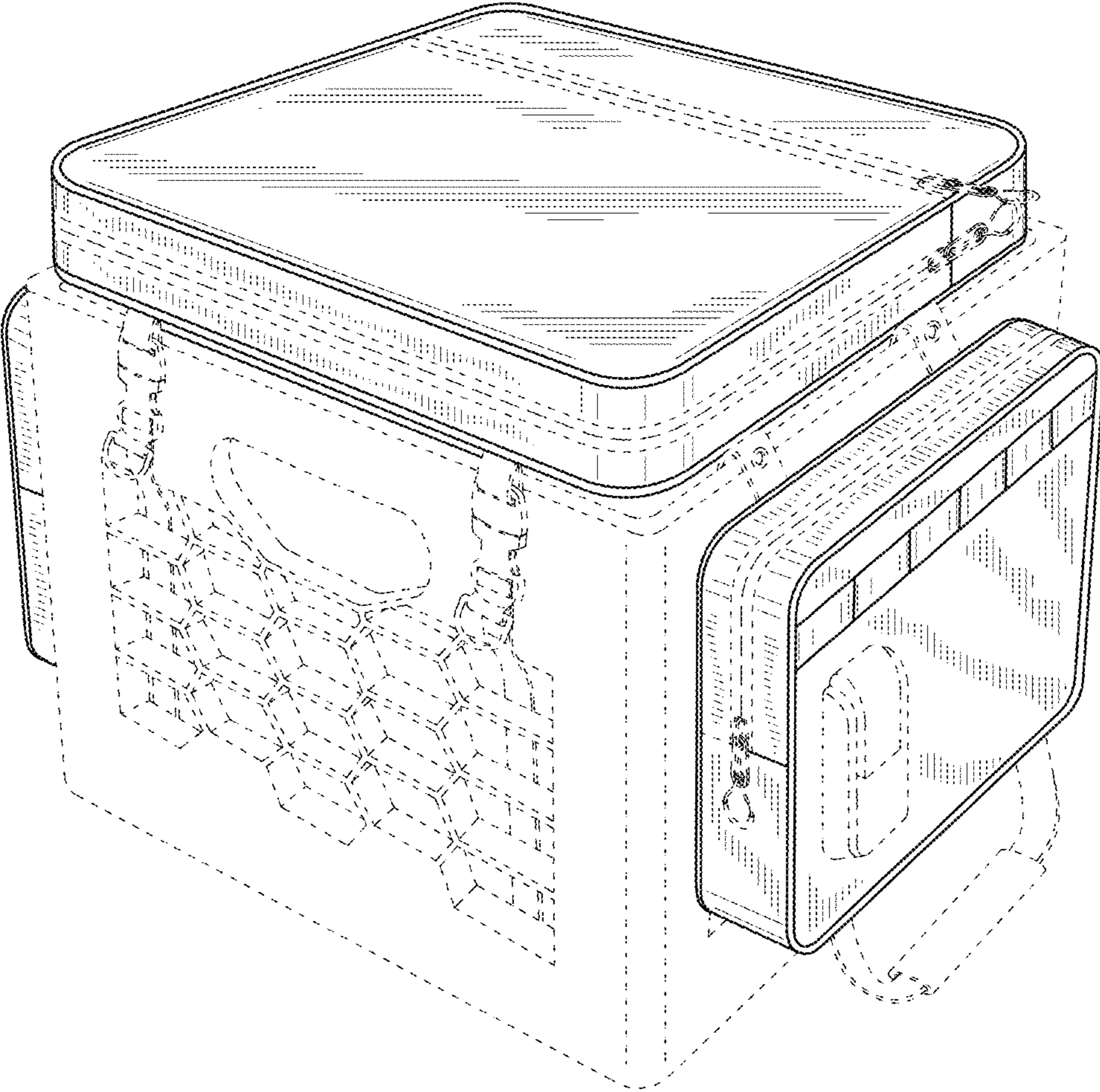


FIG. 1

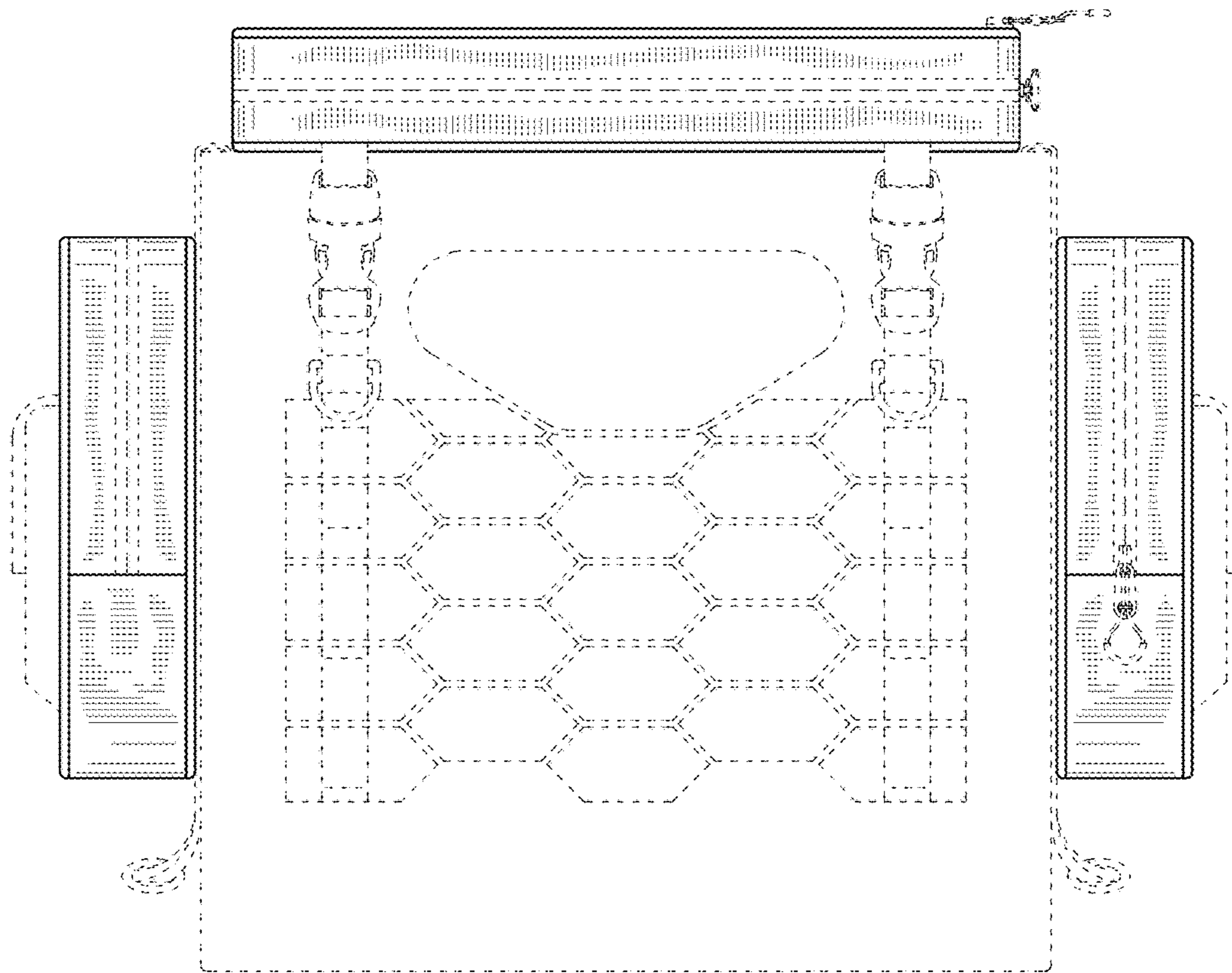


FIG. 2

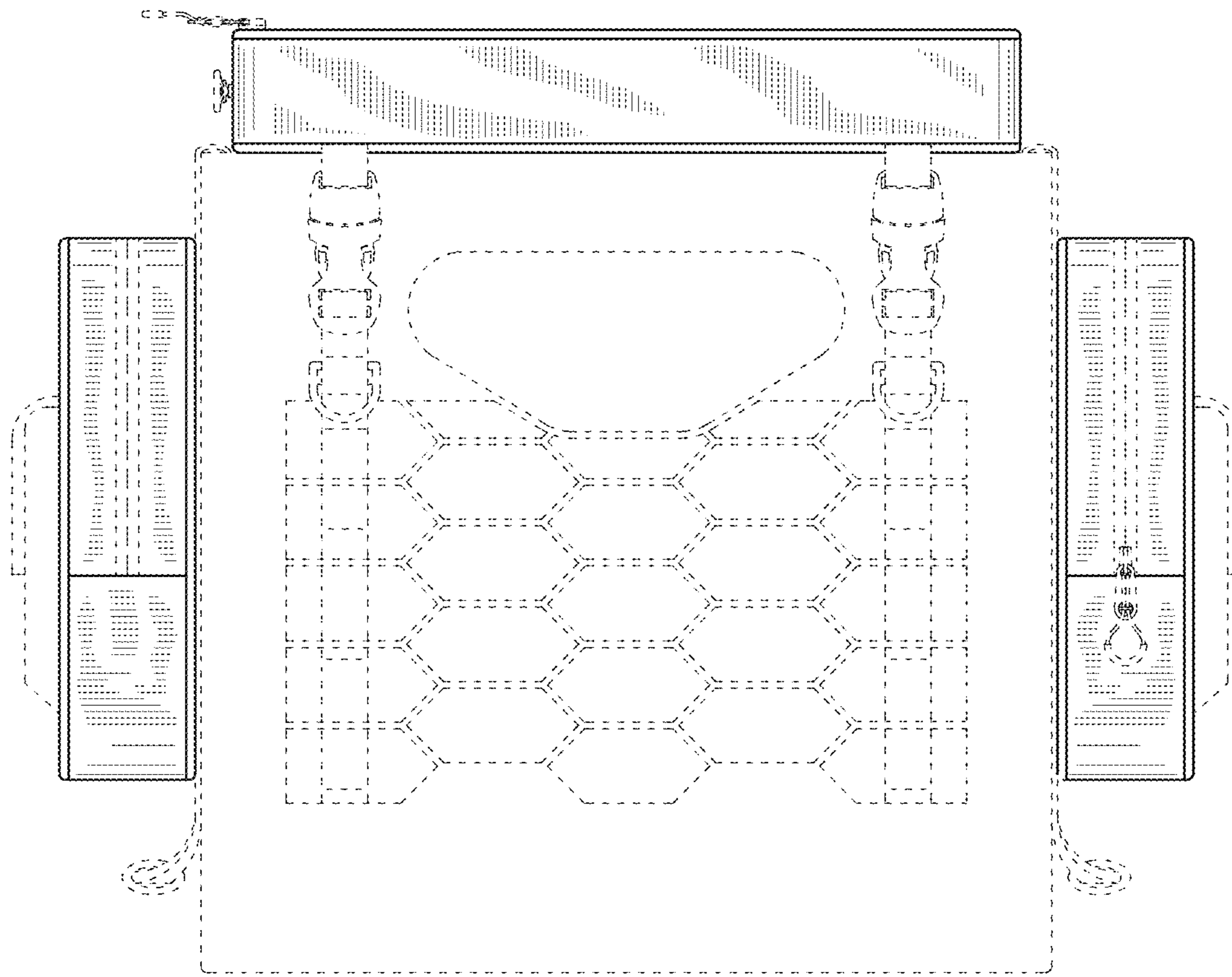


FIG. 3

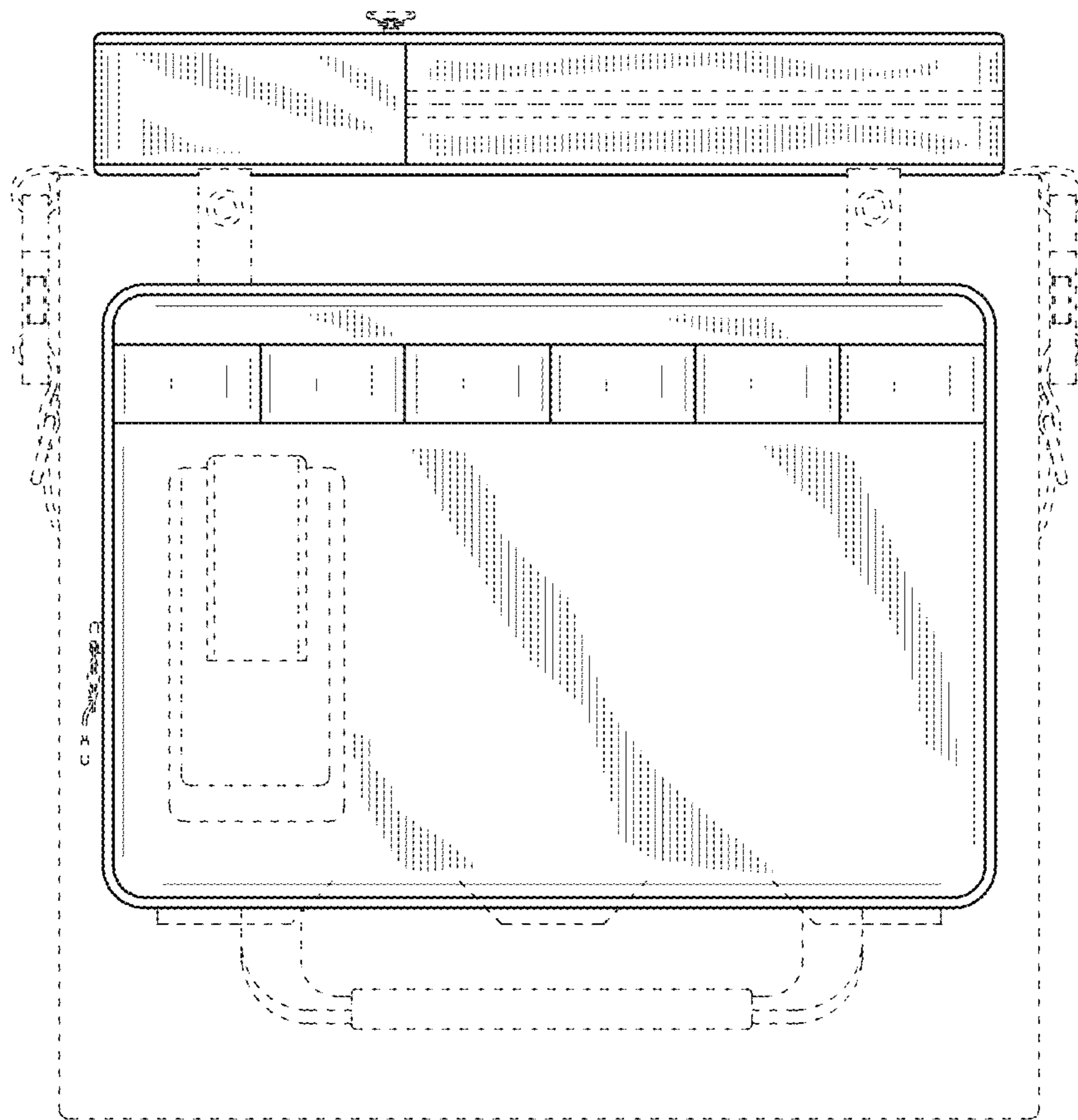


FIG. 4

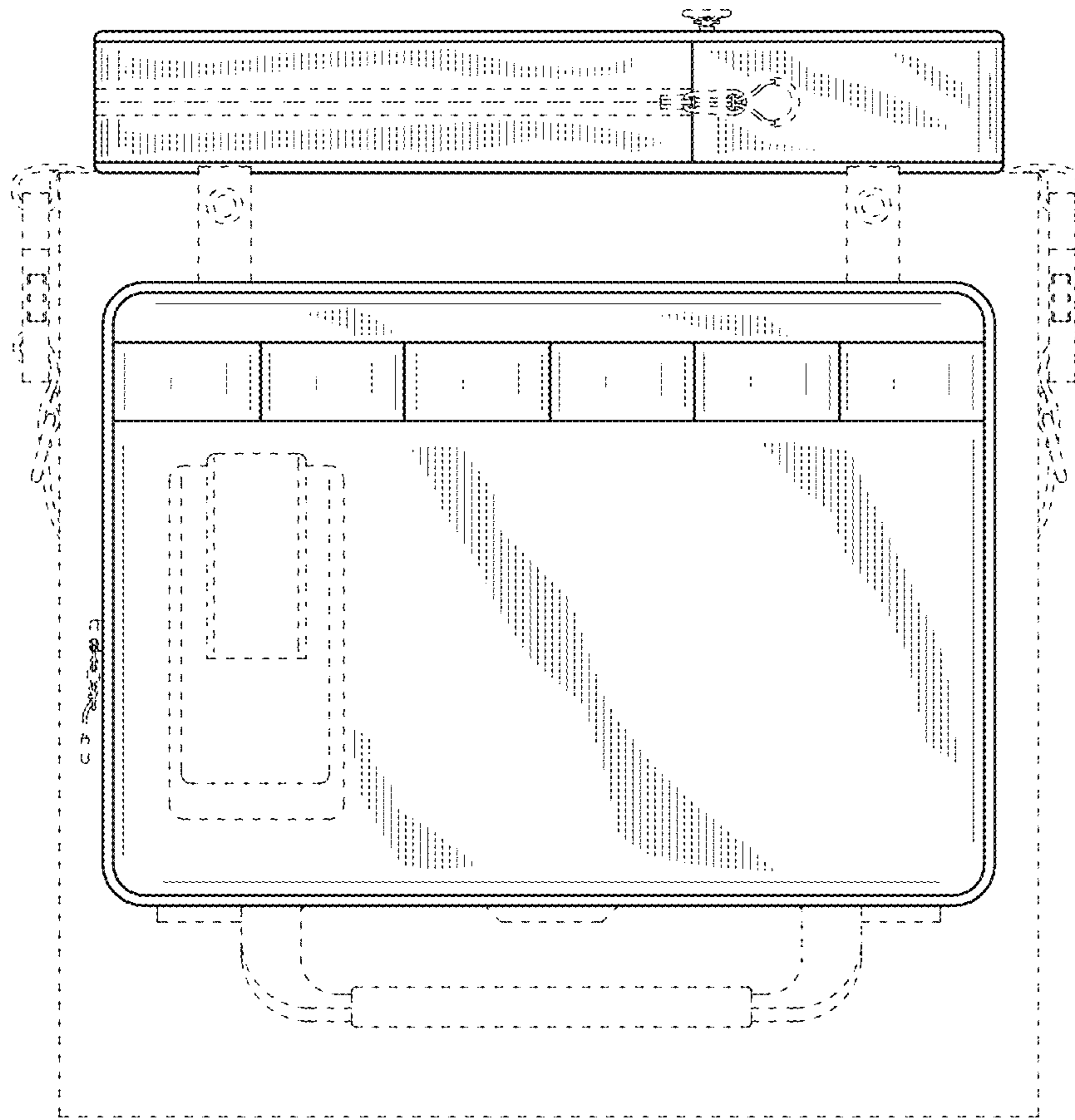


FIG. 5

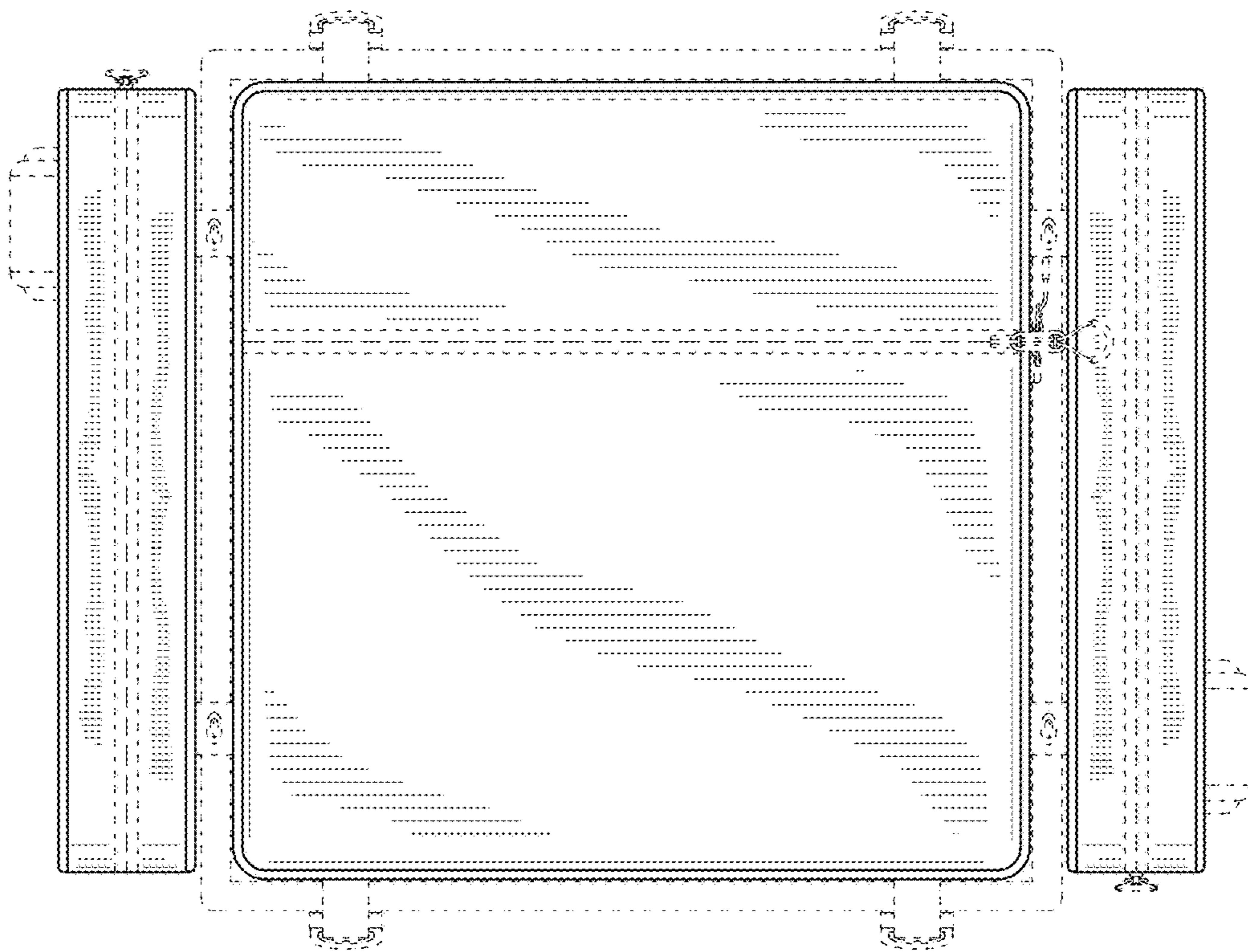


FIG. 6

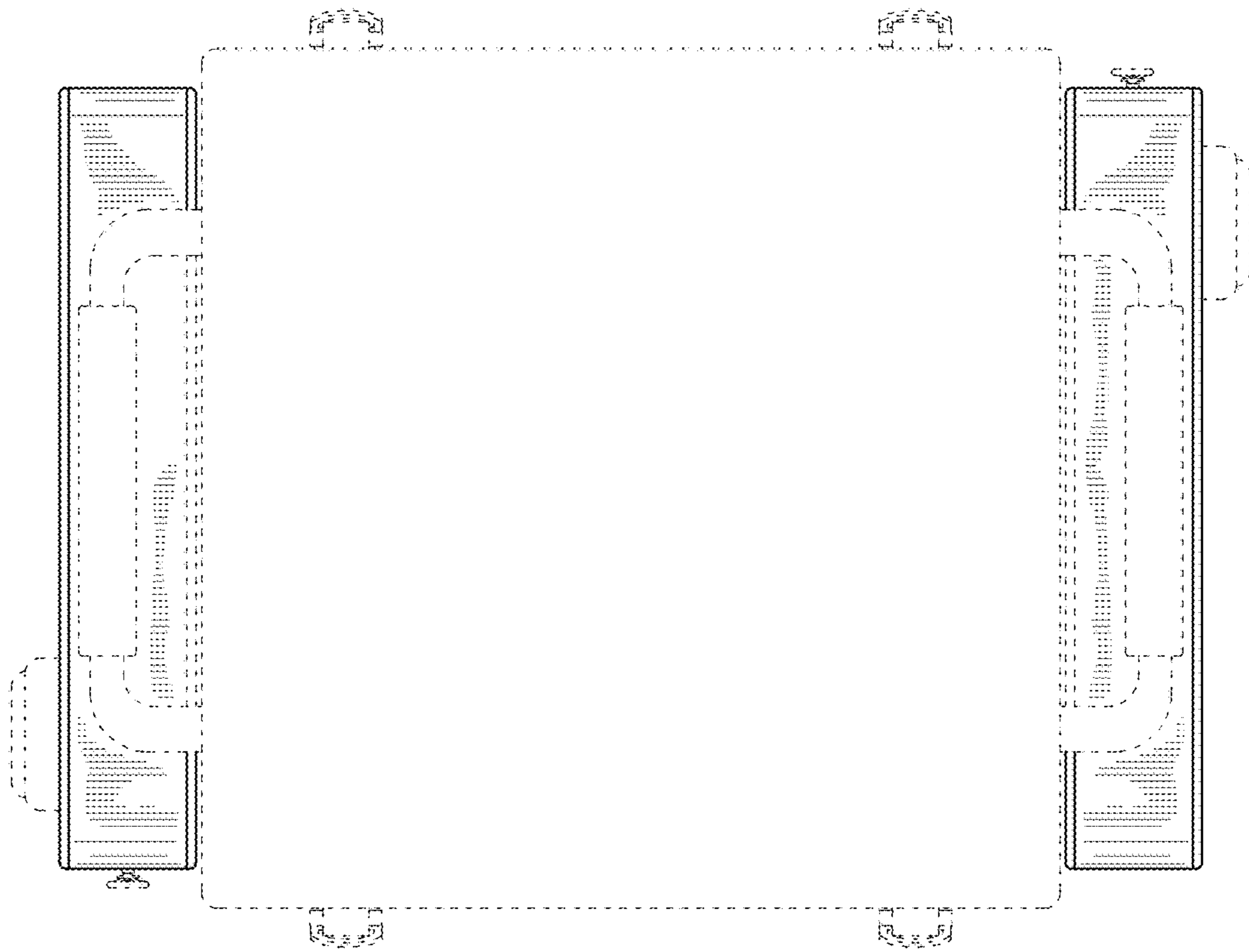


FIG. 7

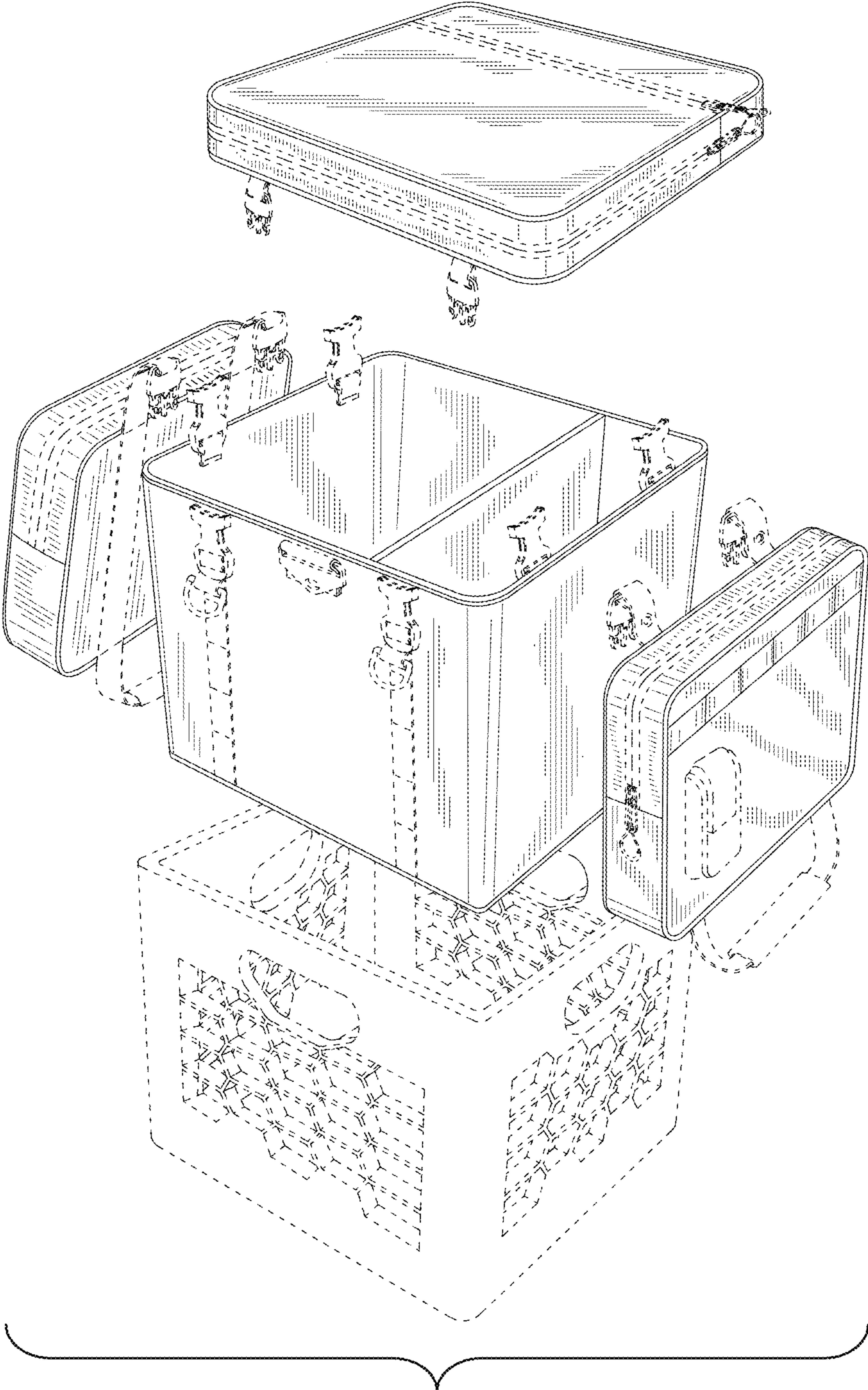


FIG. 8

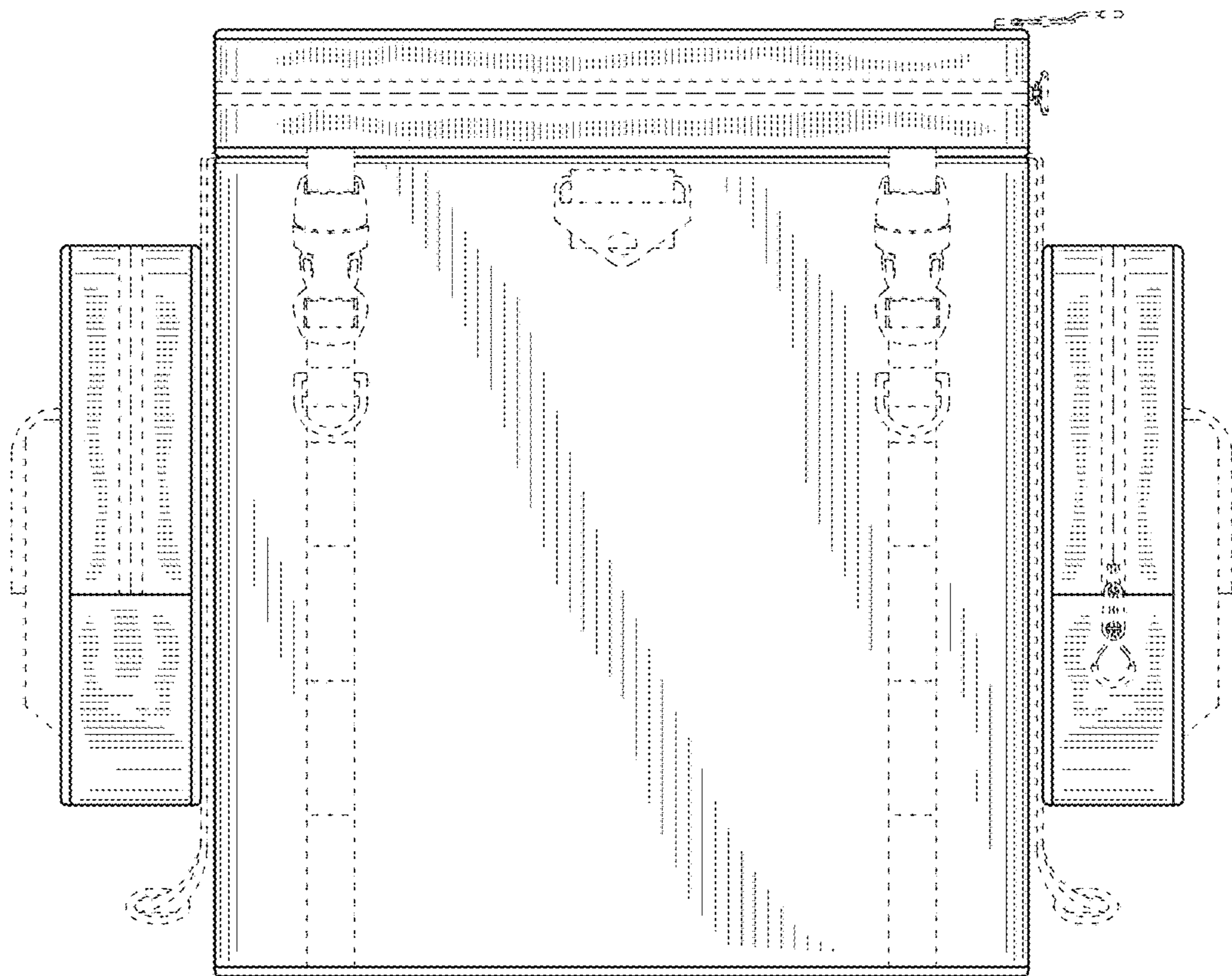


FIG. 9

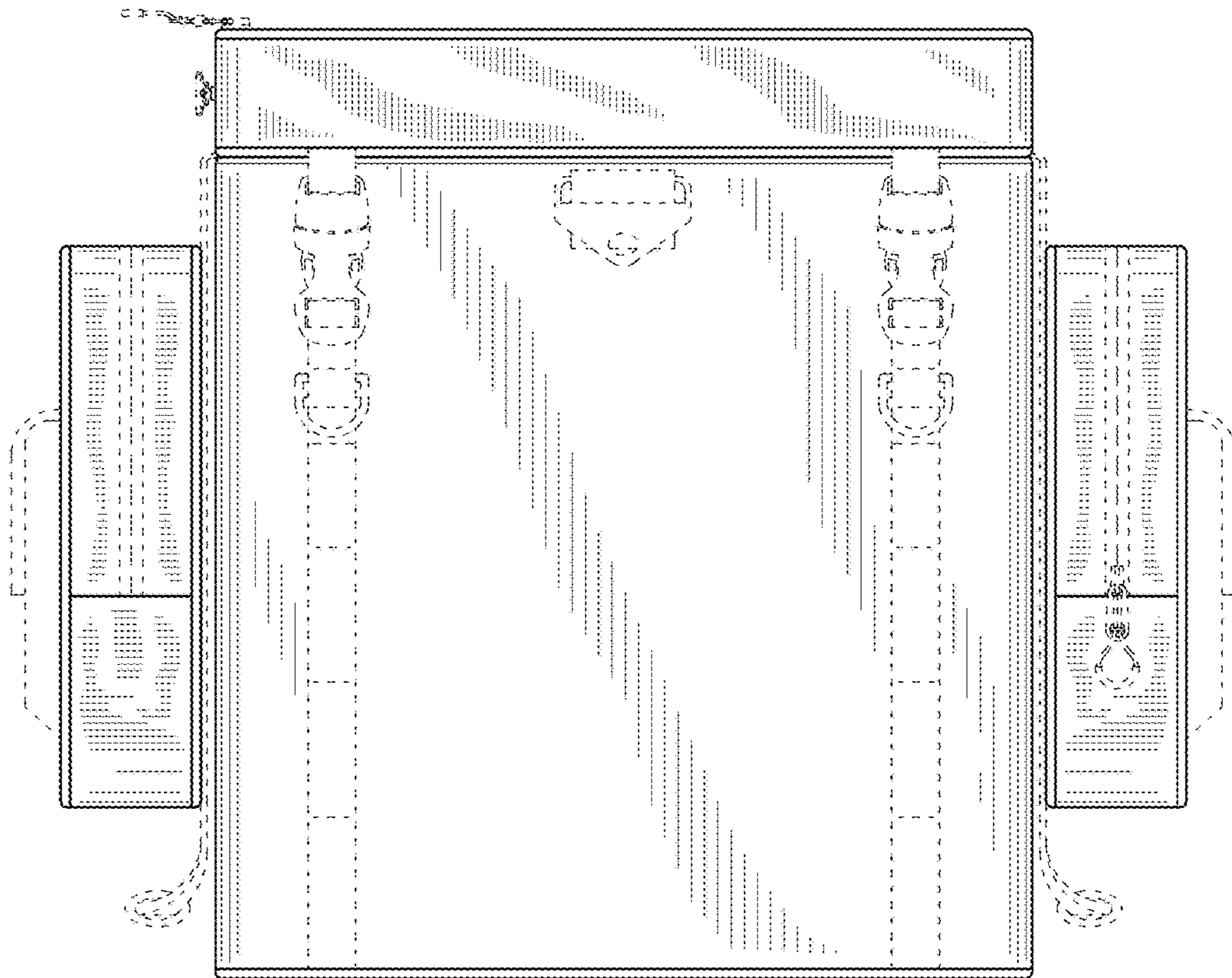


FIG. 10

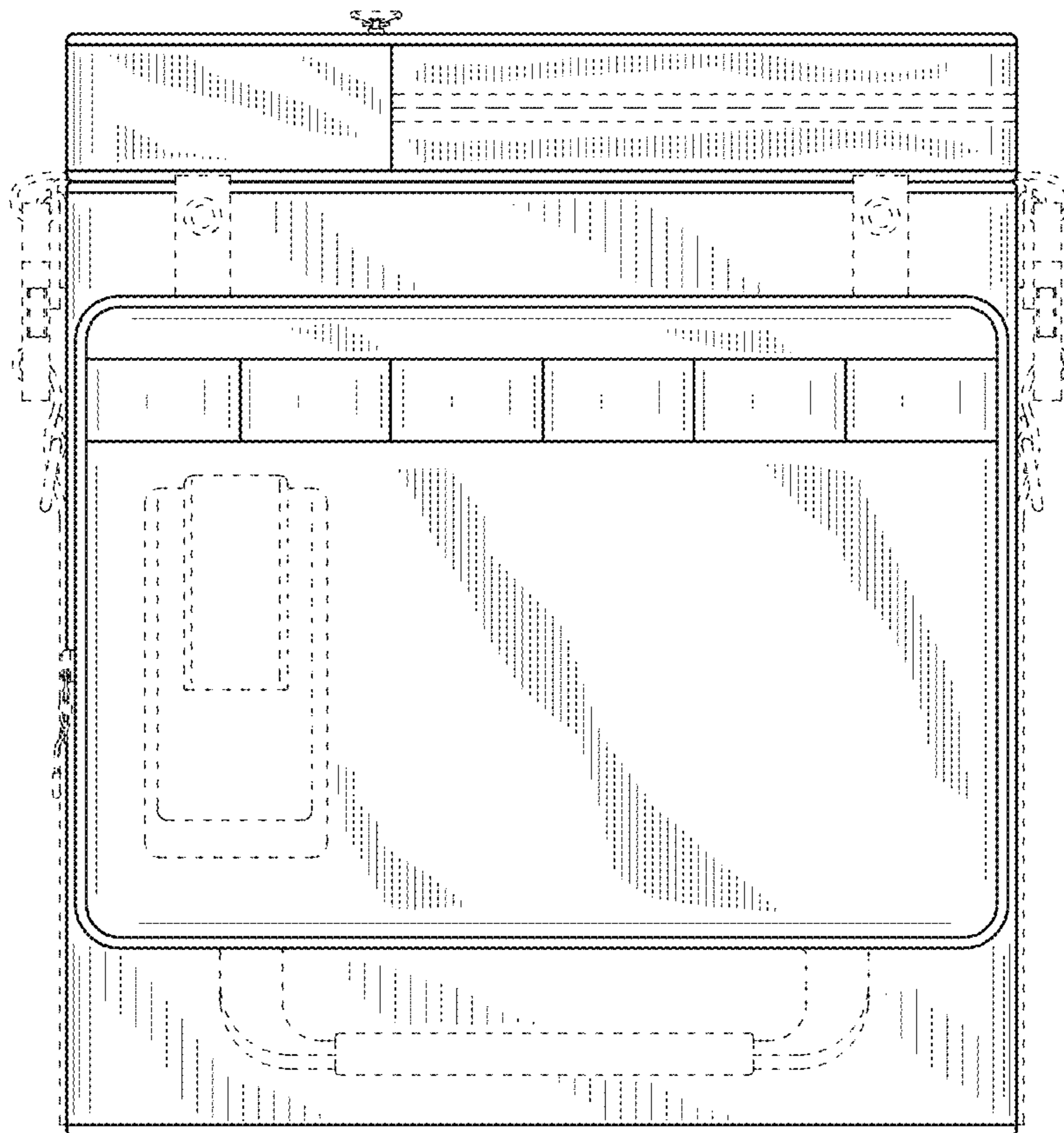


FIG. 11

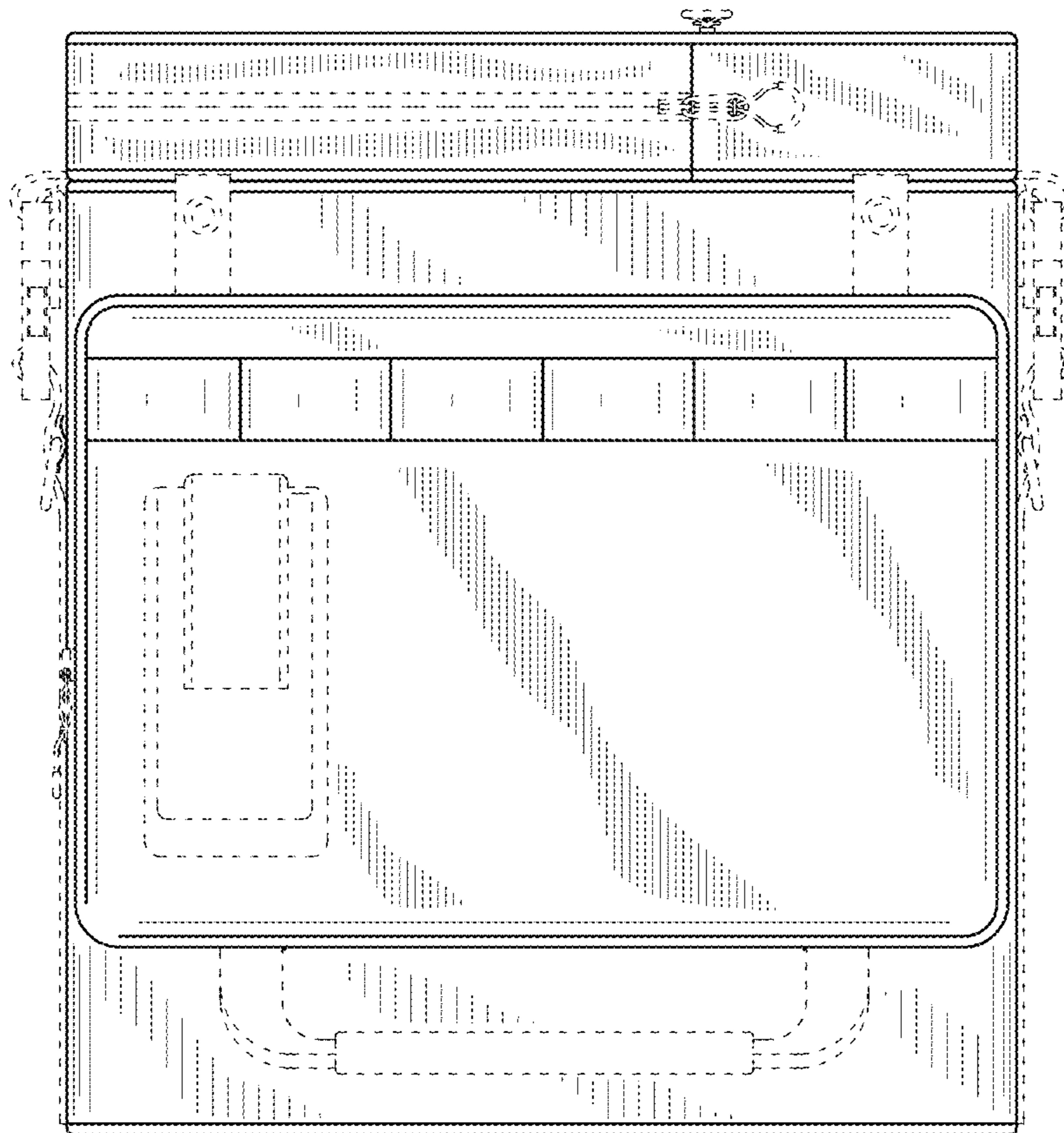


FIG. 12