



US00D829434S

(12) **United States Design Patent**  
**Petersen**

(10) **Patent No.:** **US D829,434 S**  
(45) **Date of Patent:** **\*\* Oct. 2, 2018**

(54) **SYRINGE PUMP HOUSING**  
(71) Applicant: **CSL Behring Recombinant Facility**  
**AG, Bern (CH)**  
(72) Inventor: **Carsten Petersen, Hoejbjerg (DK)**  
(73) Assignees: **CSL Behring Recombinant Facility**  
**AG, Bern (CH); Medicom Innovation**  
**Partner a/s, Struer (DK)**  
(\*\*) Term: **15 Years**

4,648,872 A \* 3/1987 Kamen ..... A61M 5/1456  
128/DIG. 12  
4,978,335 A \* 12/1990 Arthur ..... A61M 5/1456  
128/DIG. 1  
5,007,535 A \* 4/1991 Meseke ..... A61M 5/008  
206/363  
D325,255 S \* 4/1992 Busche ..... D24/108  
D325,781 S \* 4/1992 Moller-Jensen ..... D24/169  
D326,152 S \* 5/1992 Rutter ..... D24/111  
D326,153 S \* 5/1992 Eastman ..... D24/111  
D326,320 S \* 5/1992 Rutter ..... D24/111  
D340,353 S \* 10/1993 Benarrouch ..... D28/83  
D343,687 S \* 1/1994 Houghton ..... D24/227  
D351,469 S \* 10/1994 Okamoto ..... D24/169

(Continued)

(21) Appl. No.: **29/562,959**  
(22) Filed: **Apr. 29, 2016**  
(51) **LOC (11) Cl.** ..... **03-01**  
(52) **U.S. Cl.**  
USPC ..... **D3/203.1; D24/111**  
(58) **Field of Classification Search**  
USPC ..... D3/201, 203.1, 203.3, 203.8, 205, 273,  
D3/294; D24/107, 108, 111, 169, 185,  
D24/188, 227  
CPC ..... A61M 5/142; A61M 5/14212; A61M  
5/14244; A61M 5/14566; A61M 5/1458;  
A61M 5/1452; A61M 2005/14208; A61M  
2205/505; G06F 19/3468  
See application file for complete search history.

*Primary Examiner* — John Windmuller  
*Assistant Examiner* — Steven J Czyz  
(74) *Attorney, Agent, or Firm* — Finnegan, Henderson,  
Farabow, Garrett & Dunner LLP

(57) **CLAIM**

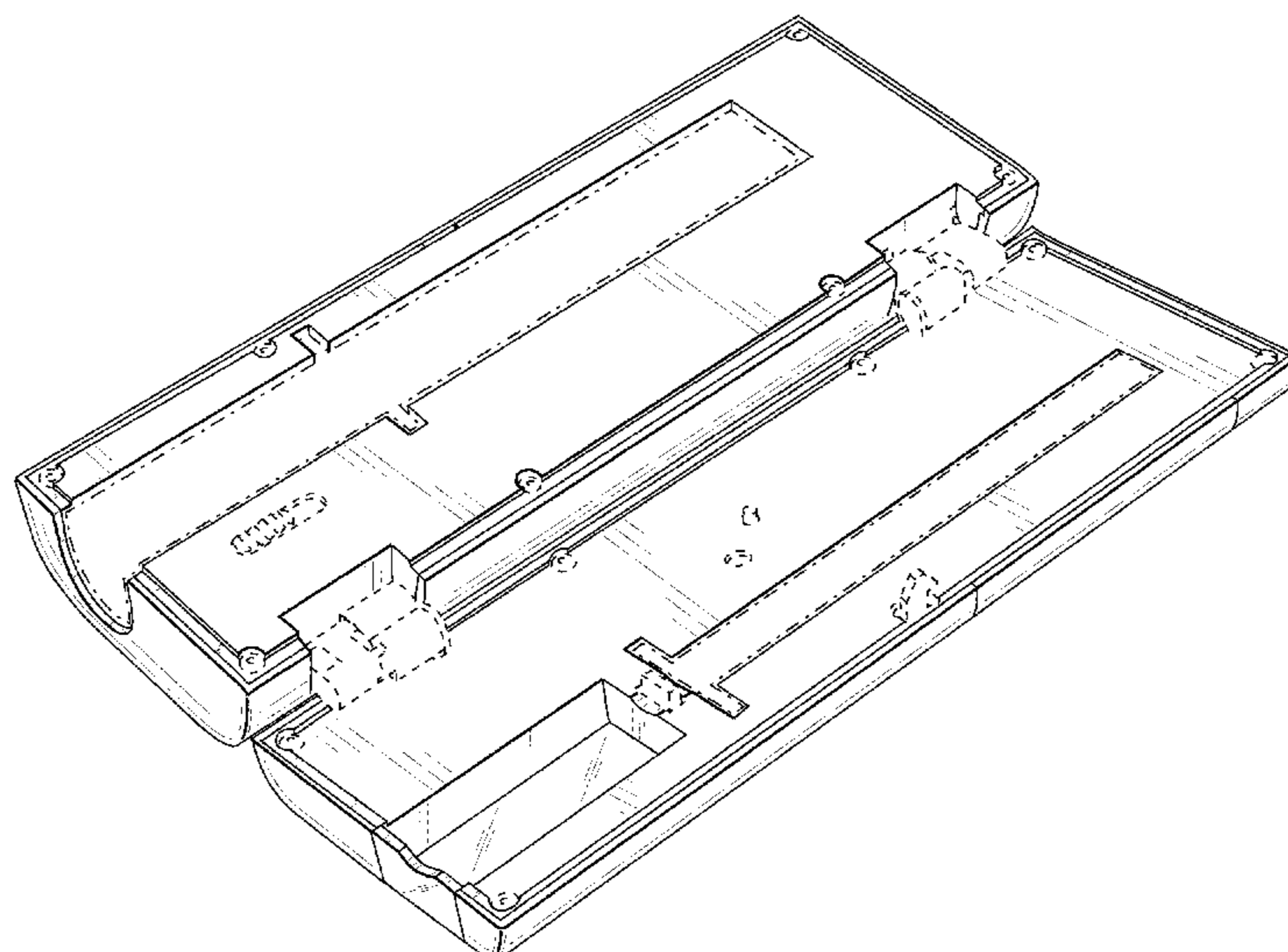
The ornamental design for a syringe pump housing, as shown and described.

**DESCRIPTION**

FIG. 1 is a front bottom right perspective view of a syringe pump housing showing my new design; FIG. 2 is a front bottom left perspective view thereof; FIG. 3 is a front elevation view thereof; FIG. 4 is a rear elevation view thereof; FIG. 5 is a left view thereof; FIG. 6 is a right view thereof; FIG. 7 is a bottom plan view thereof; and, FIG. 8 is a top plan view thereof. The dashed lines of even length depict portions of the syringe pump housing that form no part of the claimed design. The dash-dot-dash broken lines depict the boundary of the claimed design, and form no part of the claimed design.

(56) **References Cited**  
U.S. PATENT DOCUMENTS  
1,346,541 A \* 7/1920 Harding ..... A45D 27/22  
132/290  
3,384,231 A \* 5/1968 Cox ..... A61M 3/0245  
206/364  
3,489,268 A \* 1/1970 Meierhoefer ..... B65D 25/103  
206/366  
D265,243 S \* 6/1982 Manno ..... D24/111  
4,493,704 A \* 1/1985 Beard ..... A61M 5/1452  
604/154  
4,529,401 A \* 7/1985 Leslie ..... A61M 5/1456  
128/DIG. 1

**1 Claim, 8 Drawing Sheets**



(56)

References Cited

U.S. PATENT DOCUMENTS

D357,067 S \* 4/1995 Laun ..... D24/137  
 5,505,709 A \* 4/1996 Funderburk ..... A61M 5/1456  
 604/151  
 5,522,503 A \* 6/1996 Halbich ..... A61M 5/002  
 206/366  
 D376,690 S \* 12/1996 Lockerby ..... D3/273  
 5,637,095 A \* 6/1997 Nason ..... A61M 5/14244  
 604/135  
 D389,639 S \* 1/1998 Priebe ..... D3/203.8  
 5,954,697 A \* 9/1999 Srisathapat ..... A61M 5/1456  
 604/154  
 D431,902 S \* 10/2000 Mellin ..... D3/203.1  
 6,302,855 B1 \* 10/2001 Lav ..... A61B 5/14532  
 600/584  
 D455,253 S \* 4/2002 Byrne ..... D3/203.1  
 D461,241 S \* 8/2002 Moberg ..... D24/111  
 D461,891 S \* 8/2002 Moberg ..... D24/111  
 D467,414 S \* 12/2002 Pavlu ..... D3/203.1  
 D480,864 S \* 10/2003 Sayers ..... D3/203.1  
 D480,865 S \* 10/2003 Sayers ..... D3/203.1  
 D481,532 S \* 11/2003 Sayers ..... D3/203.1  
 D498,851 S \* 11/2004 Halbich ..... D24/227  
 D506,007 S \* 6/2005 Best ..... D24/169  
 D529,288 S \* 10/2006 Ham ..... D3/274  
 D579,204 S \* 10/2008 Chen ..... D3/215  
 D599,549 S \* 9/2009 Moss ..... D3/282  
 D600,014 S \* 9/2009 Moss ..... D3/282  
 D633,712 S \* 3/2011 Everette ..... D3/203.1  
 D662,320 S \* 6/2012 De Leo ..... D3/201  
 D669,165 S \* 10/2012 Estes ..... D24/111

D669,167 S \* 10/2012 Estes ..... D24/111  
 D679,508 S \* 4/2013 Rivera ..... D3/205  
 8,454,562 B1 \* 6/2013 Sims ..... A61M 5/14244  
 604/151  
 D689,523 S \* 9/2013 Galbraith ..... D15/7  
 D691,258 S \* 10/2013 Estes ..... D24/111  
 D691,259 S \* 10/2013 Estes ..... D24/111  
 D695,512 S \* 12/2013 Priebe ..... D3/203.3  
 D702,438 S \* 4/2014 Chen ..... D3/294  
 D747,356 S \* 1/2016 Jou ..... D14/203.1  
 9,427,523 B2 \* 8/2016 Qi ..... A61M 5/172  
 D778,593 S \* 2/2017 Agbeyo ..... D3/201  
 D778,610 S \* 2/2017 Chen ..... D3/302  
 D788,926 S \* 6/2017 Parlante ..... D24/176  
 D799,201 S \* 10/2017 Agbeyo ..... D3/201  
 D802,788 S \* 11/2017 Cormier ..... D24/229  
 2001/0034502 A1 \* 10/2001 Moberg ..... A61M 5/1456  
 604/154  
 2007/0156099 A1 \* 7/2007 Fowler ..... A61M 5/003  
 604/189  
 2008/0306449 A1 \* 12/2008 Kristensen ..... A61M 5/20  
 604/192  
 2011/0040247 A1 \* 2/2011 Mandro ..... A61M 5/142  
 604/66  
 2011/0313351 A1 \* 12/2011 Kamen ..... A61M 5/14244  
 604/67  
 2012/0209197 A1 \* 8/2012 Lanigan ..... A61M 5/1456  
 604/152  
 2015/0321794 A1 \* 11/2015 Molano ..... A61M 5/002  
 206/232  
 2017/0280576 A1 \* 9/2017 Lee ..... H01B 3/442

\* cited by examiner



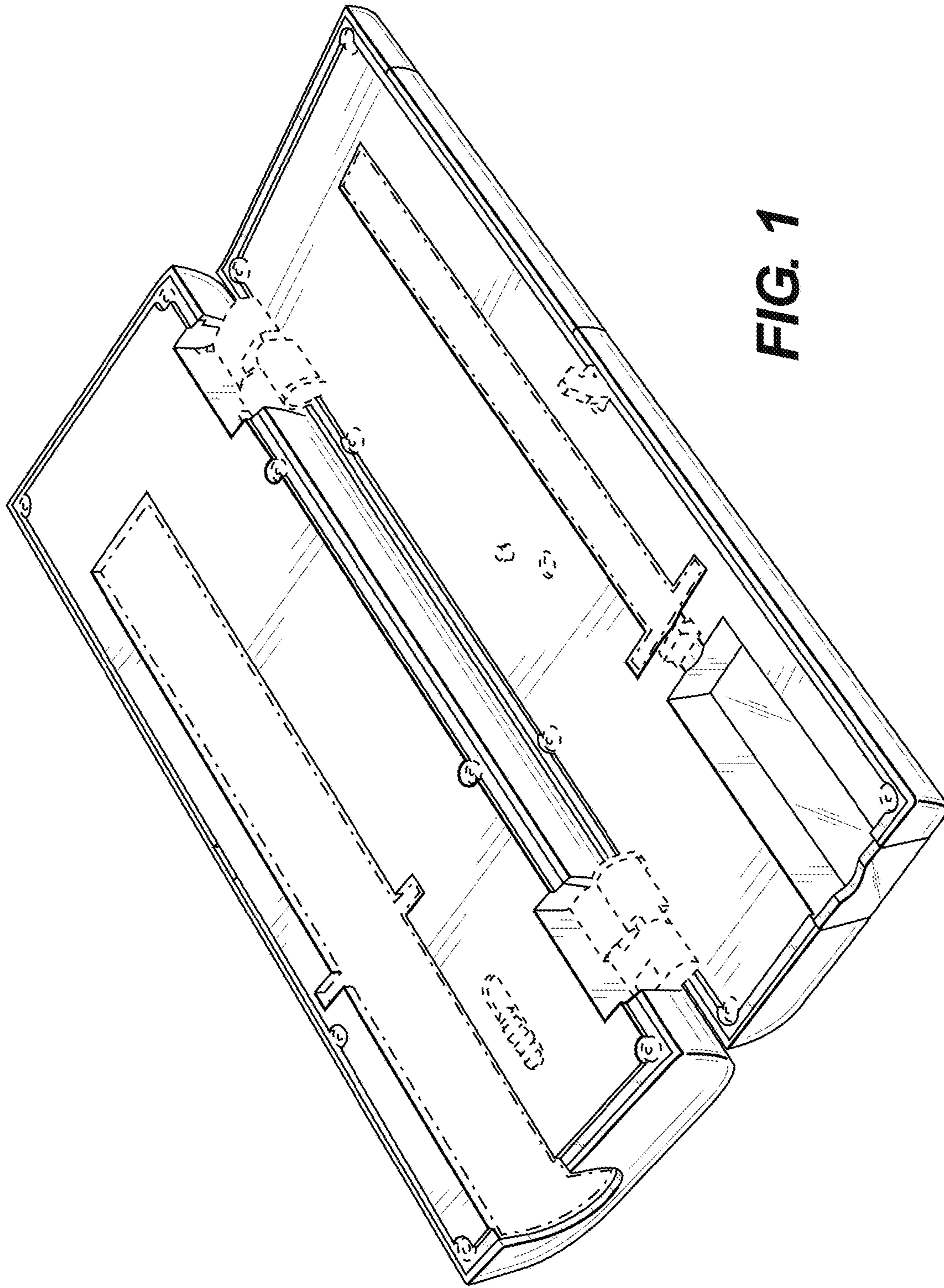
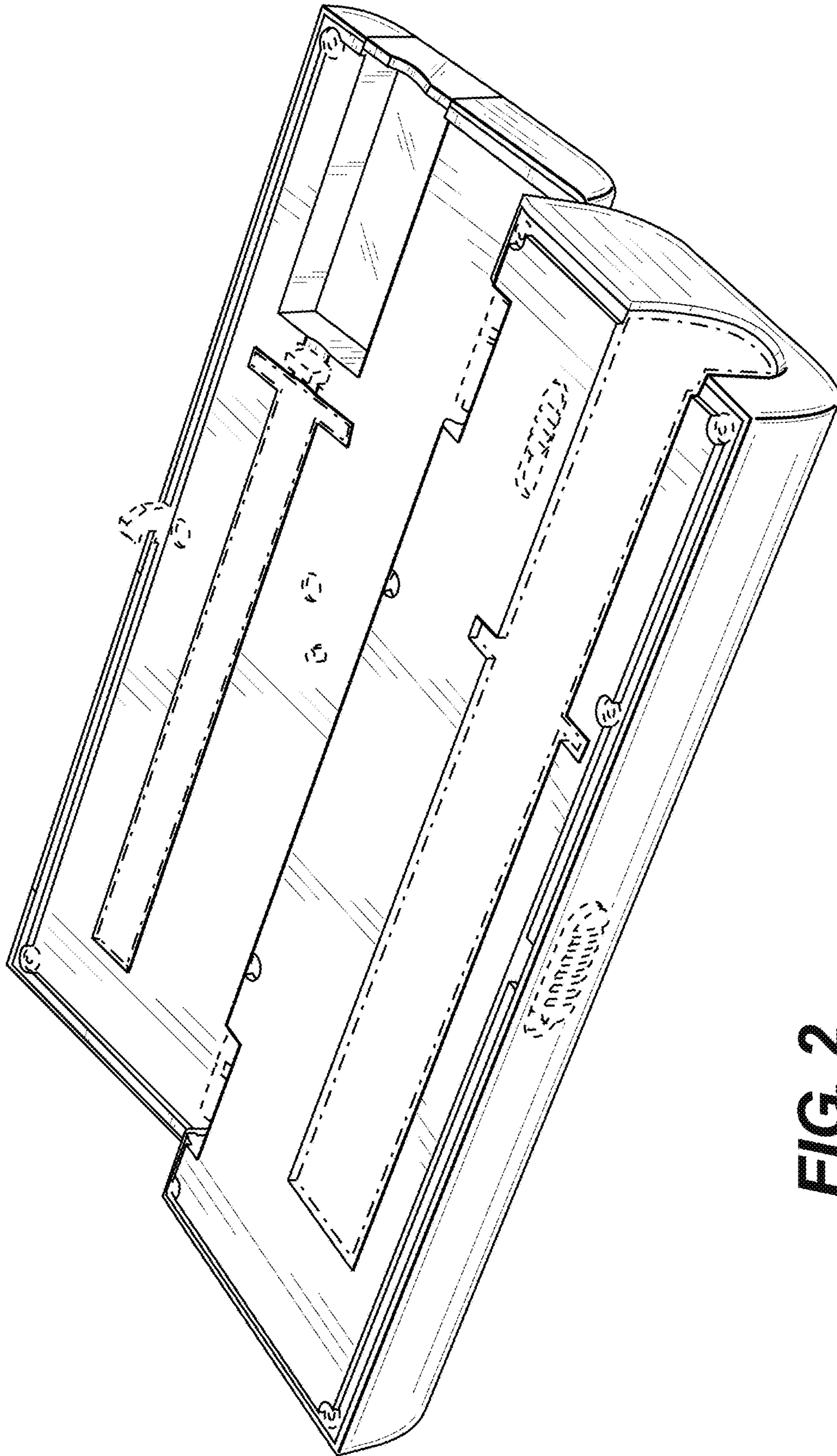
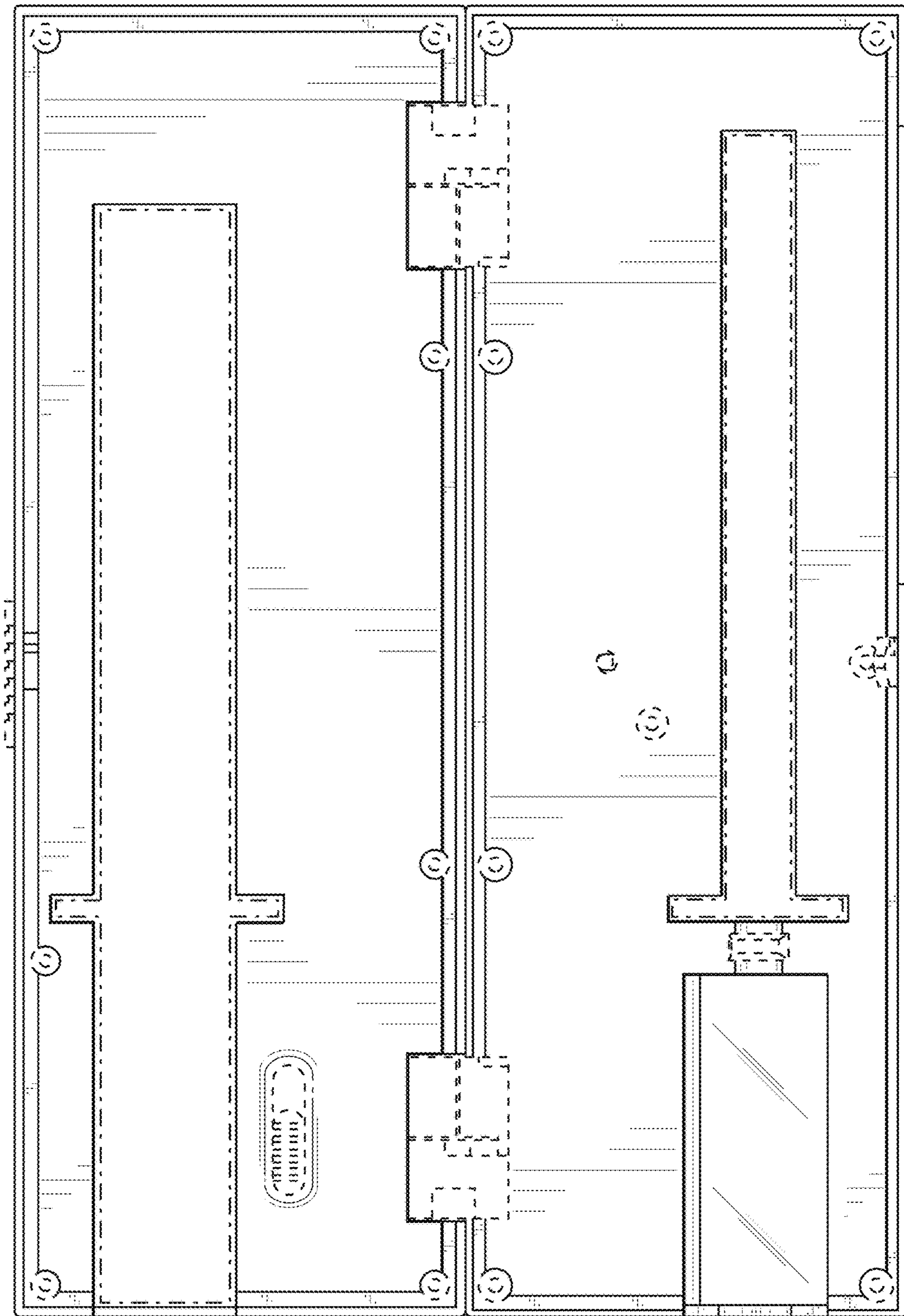


FIG. 1

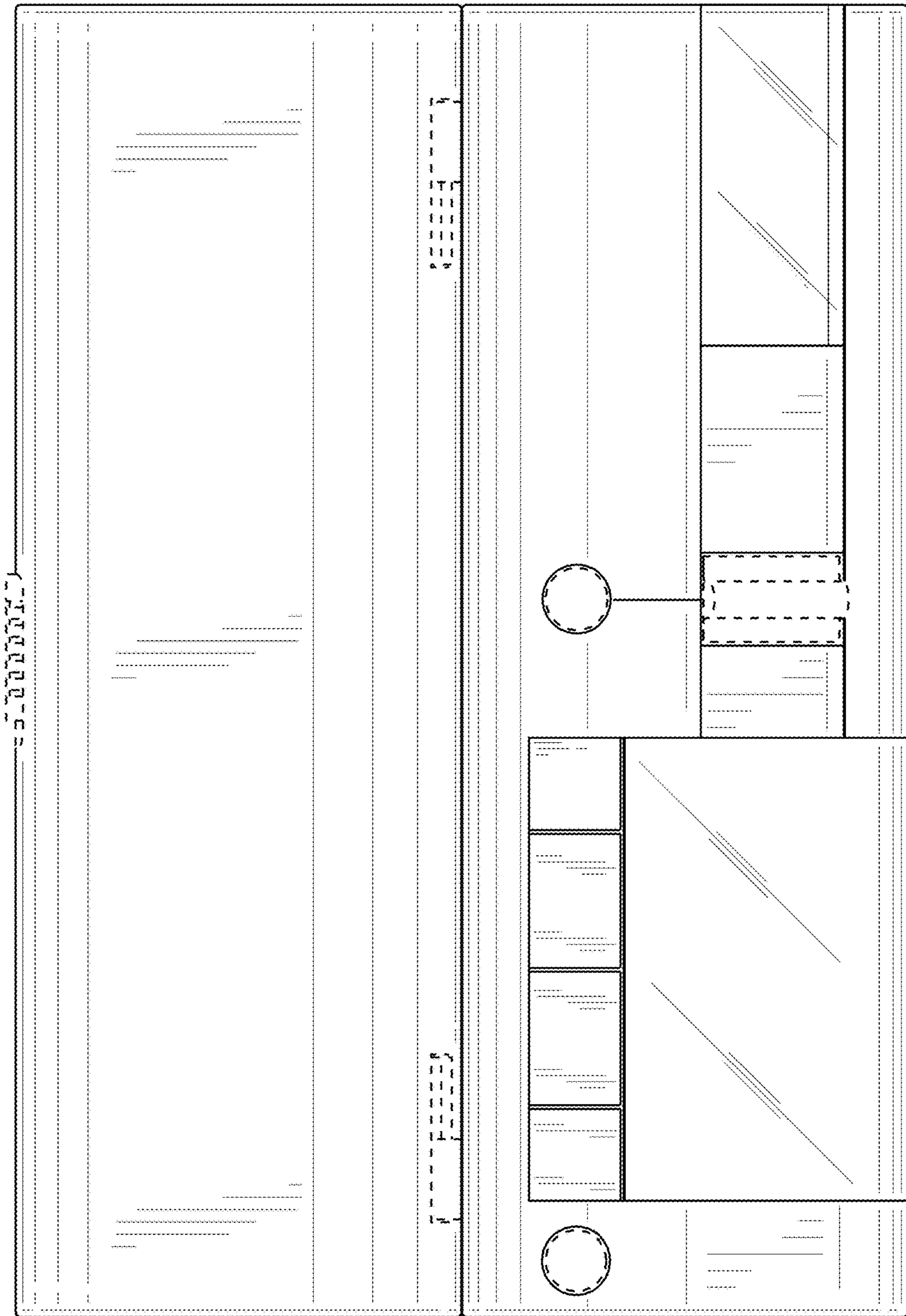


**FIG. 2**

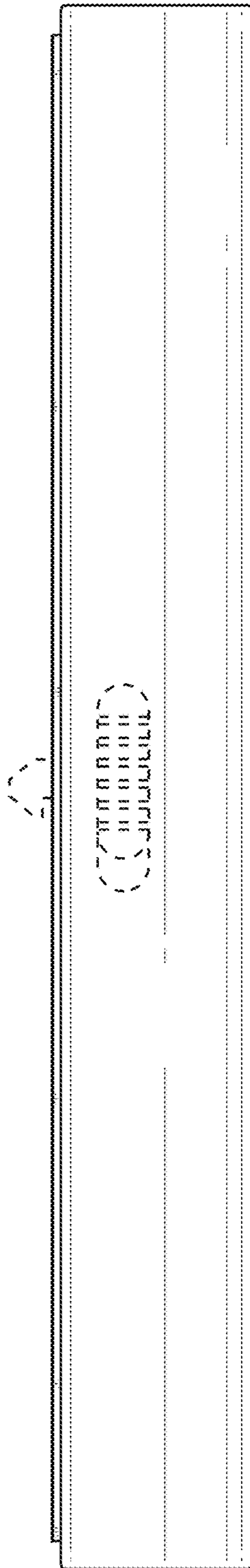




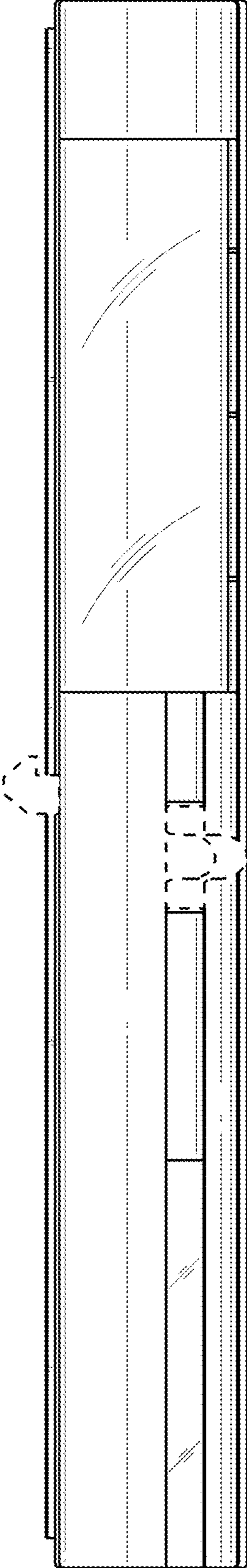
**FIG. 3**



**FIG. 4**

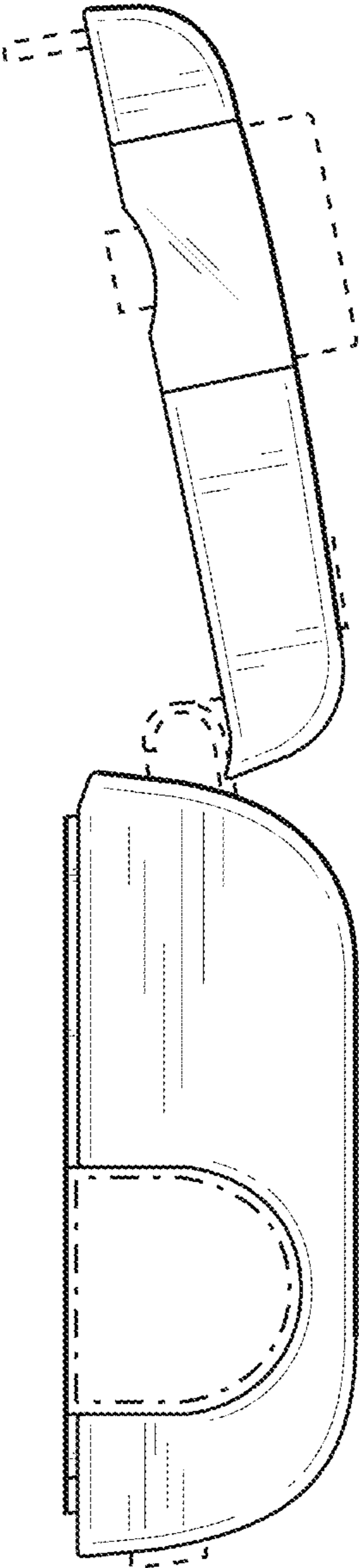


**FIG. 5**

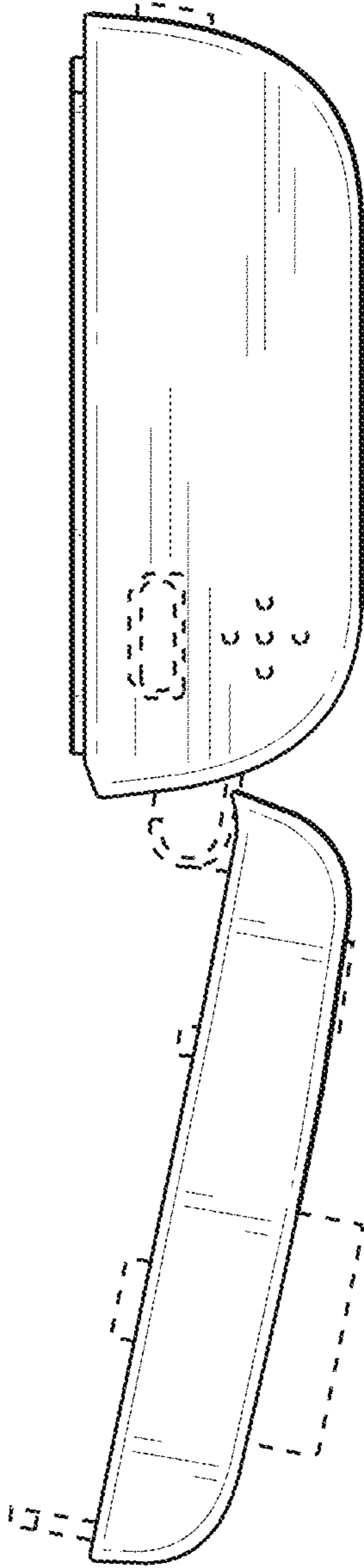


**FIG. 6**





**FIG. 7**



**FIG. 8**