

US00D829419S

(12) **United States Design Patent** (10) **Patent No.:** **US D829,419 S**  
**Olsen** (45) **Date of Patent:** **\*\* Oct. 2, 2018**

(54) **SHOE**

(71) Applicant: **TR Apparel, LLC**, New York, NY (US)  
 (72) Inventor: **Mary-Kate Olsen**, New York, NY (US)  
 (73) Assignee: **TR APPAREL, LLC**, New York, NY (US)

(\*\*) Term: **15 Years**

(21) Appl. No.: **29/648,764**

(22) Filed: **May 23, 2018**

(51) **LOC (11) Cl.** ..... **02-04**

(52) **U.S. Cl.**  
USPC ..... **D2/939**

(58) **Field of Classification Search**  
 USPC ..... D2/896, 916–922, 925–942, 969, 971  
 CPC ..... A43B 21/00; A43B 21/02; A43B 21/06;  
 A43B 9/14; A43B 1/0045; A43B 13/10;  
 A43B 13/12; A43B 23/06; A43B 23/07;  
 A43B 1/0036; A43B 7/32; A43B 5/12;  
 A43B 23/25; A43B 3/128; A43B 3/10;  
 A43B 3/122; A43B 3/24; A43B 3/12

See application file for complete search history.

(56) **References Cited**

U.S. PATENT DOCUMENTS

D163,010 S *	4/1951	Weisman .....	D2/940
D174,063 S *	2/1955	Smith .....	D2/918
D230,104 S *	1/1974	Larsh et al. ....	D2/919
D696,002 S *	12/2013	Finneran .....	D2/939
D772,544 S *	11/2016	Slimane .....	D2/939

\* cited by examiner

*Primary Examiner* — Dominic V Simone

(74) *Attorney, Agent, or Firm* — Sheppard Mullin Richter & Hampton LLP; Jonathan A. Marina

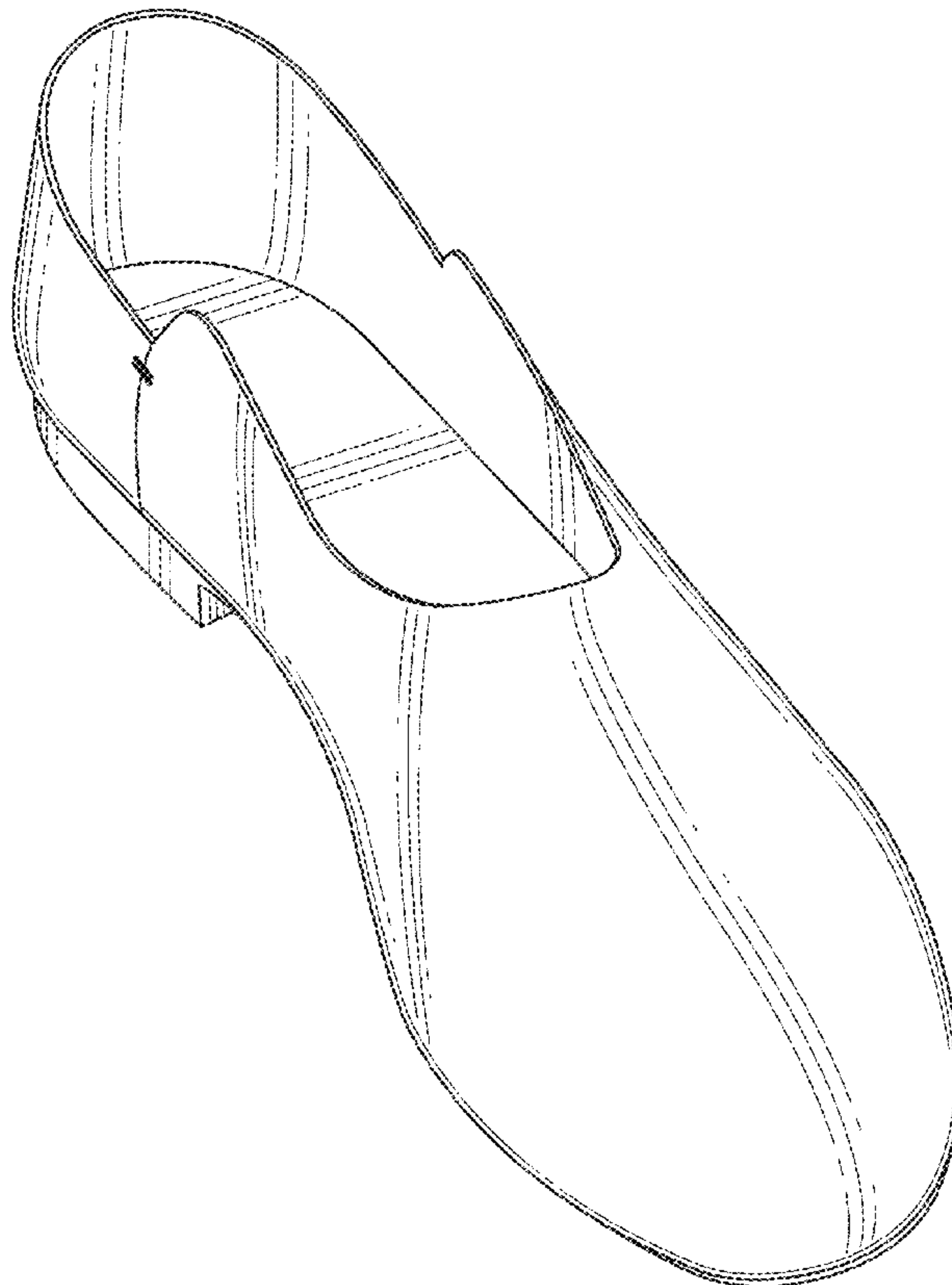
(57) **CLAIM**

I claim the ornamental design for a shoe, as shown and described.

**DESCRIPTION**

FIG. 1 is a top, right, and front side perspective view of an ornamental design for a shoe;  
 FIG. 2 is a top plan view thereof;  
 FIG. 3 is a bottom plan view thereof;  
 FIG. 4 is a left side elevational view thereof;  
 FIG. 5 is a right side elevational view thereof;  
 FIG. 6 is a front side elevational view thereof; and,  
 FIG. 7 is a rear side elevational view thereof.

**1 Claim, 6 Drawing Sheets**



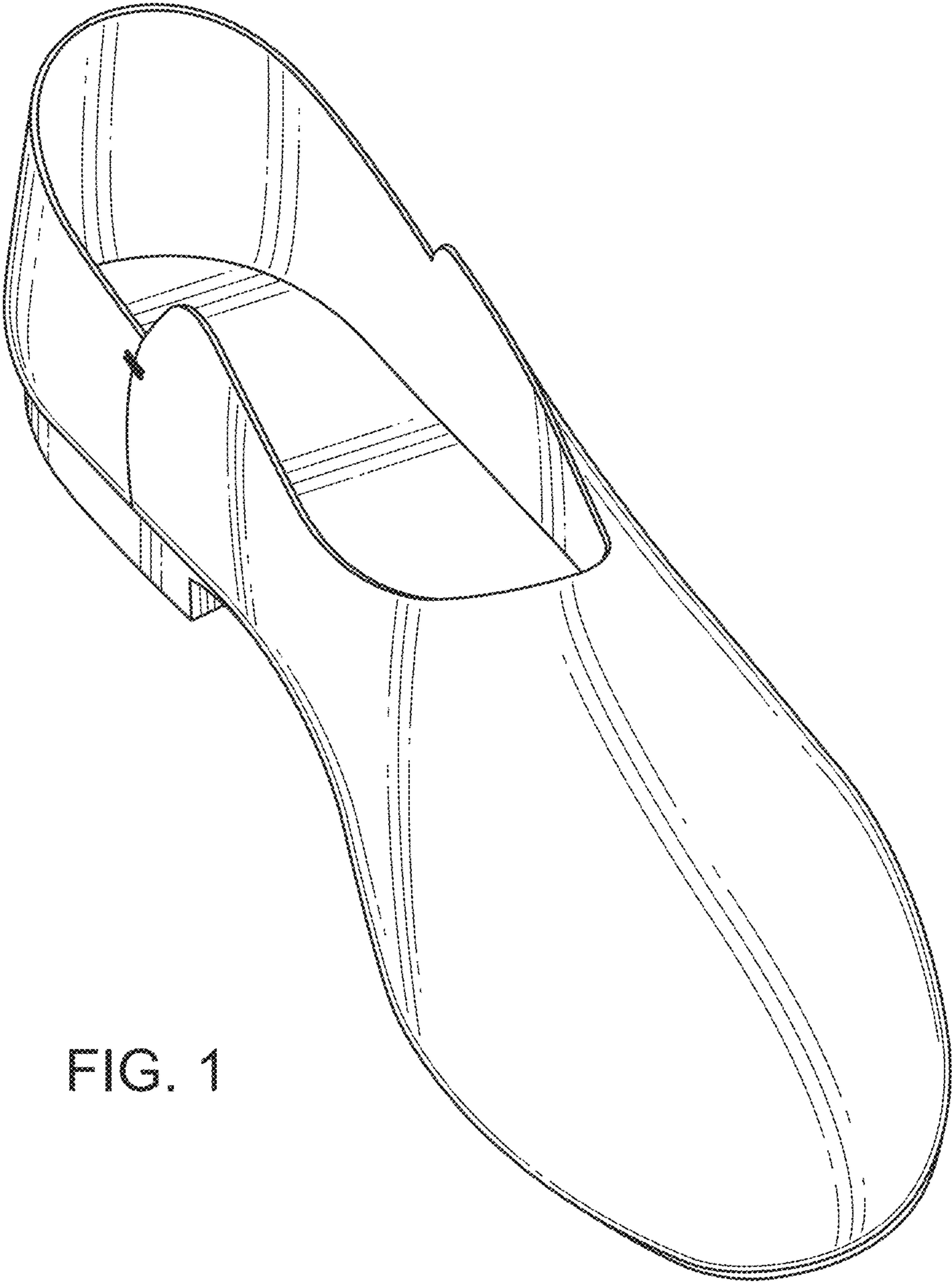


FIG. 1

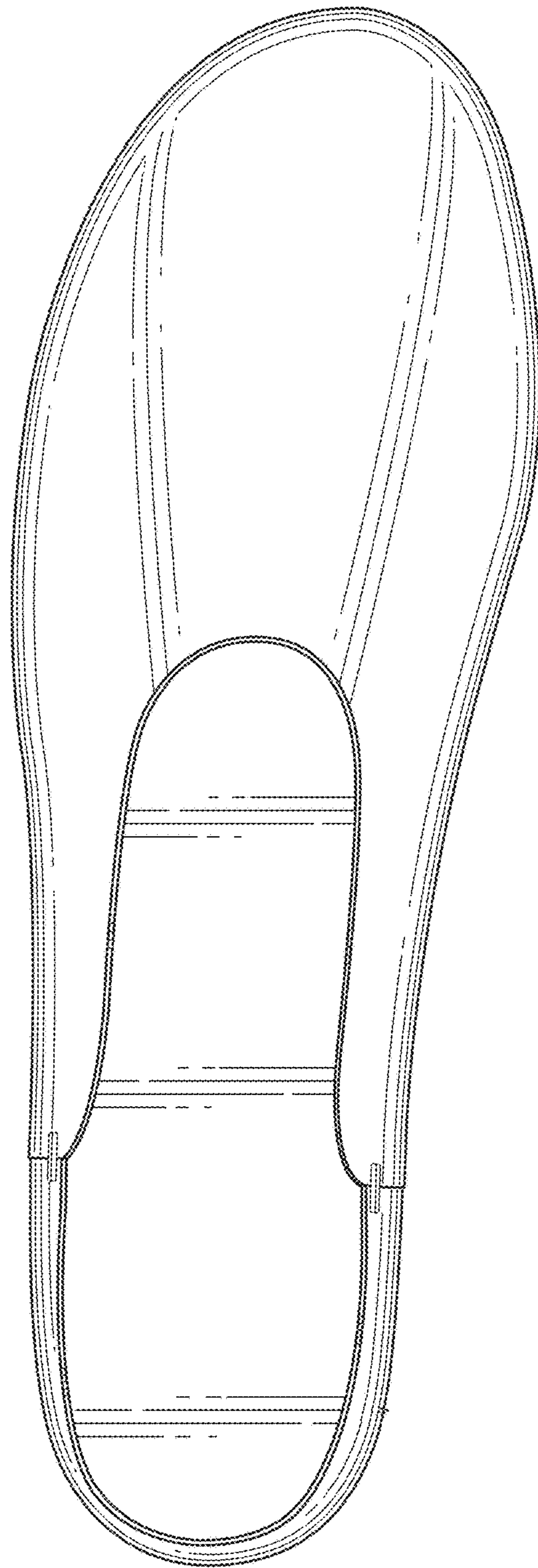


FIG. 2

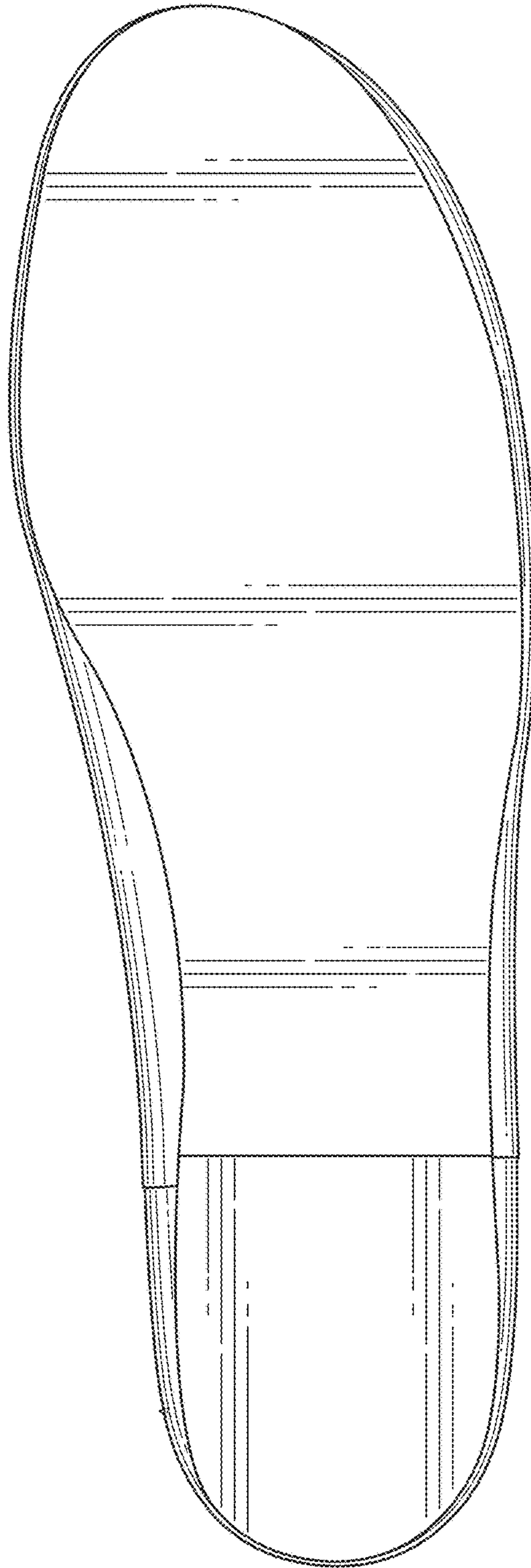


FIG. 3

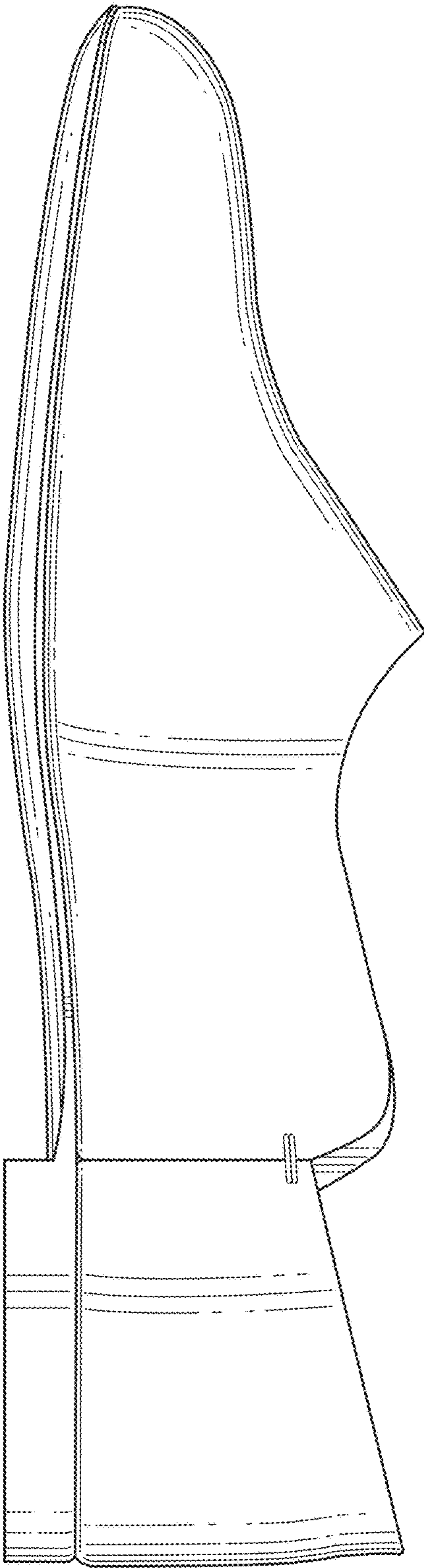


FIG. 4



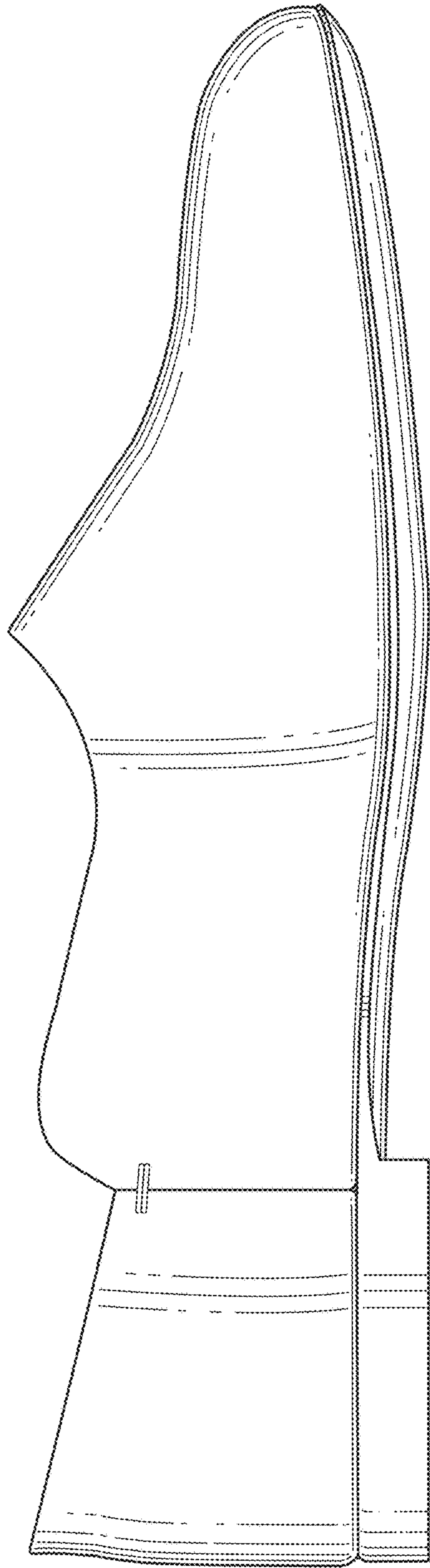


FIG. 5

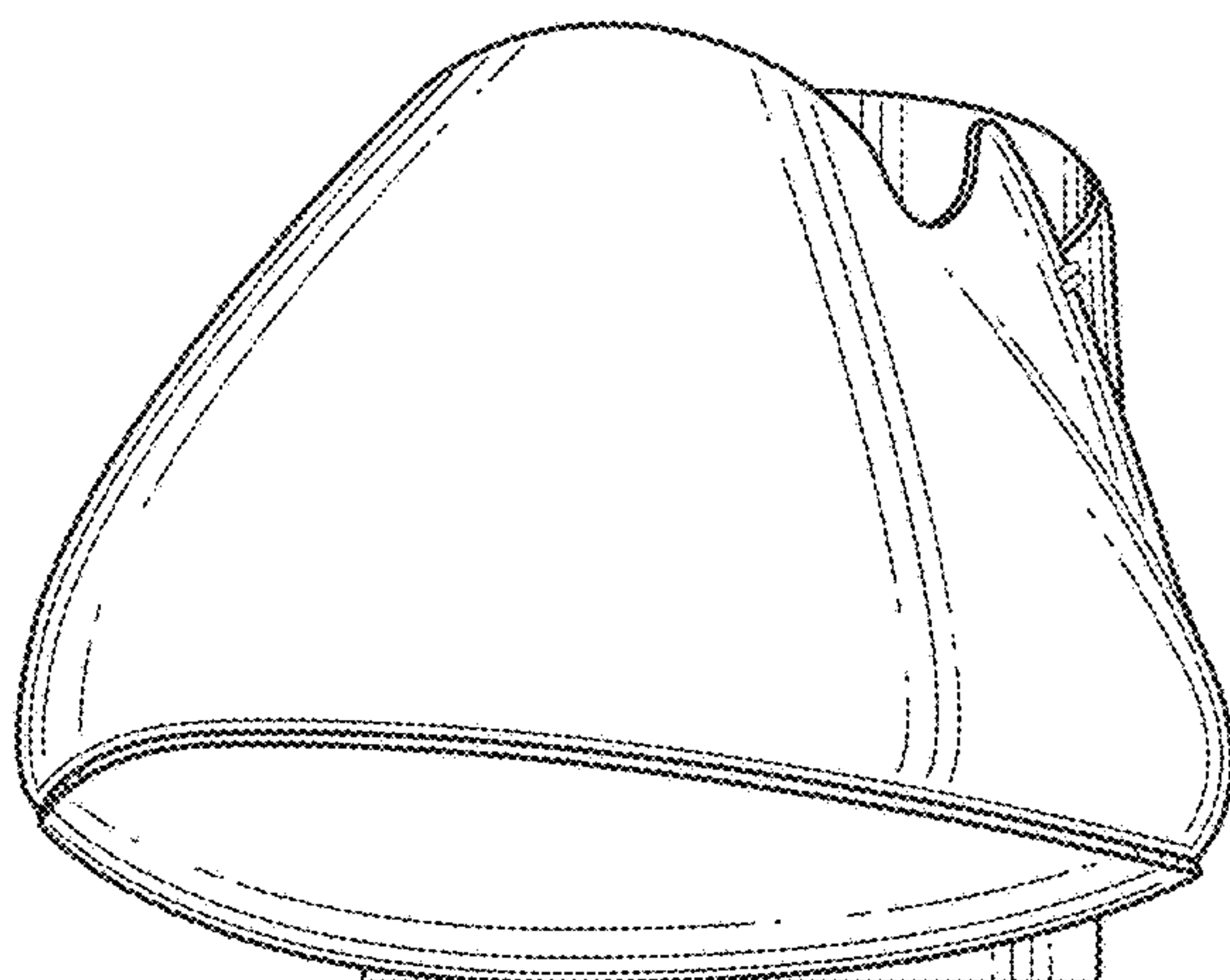


FIG. 6

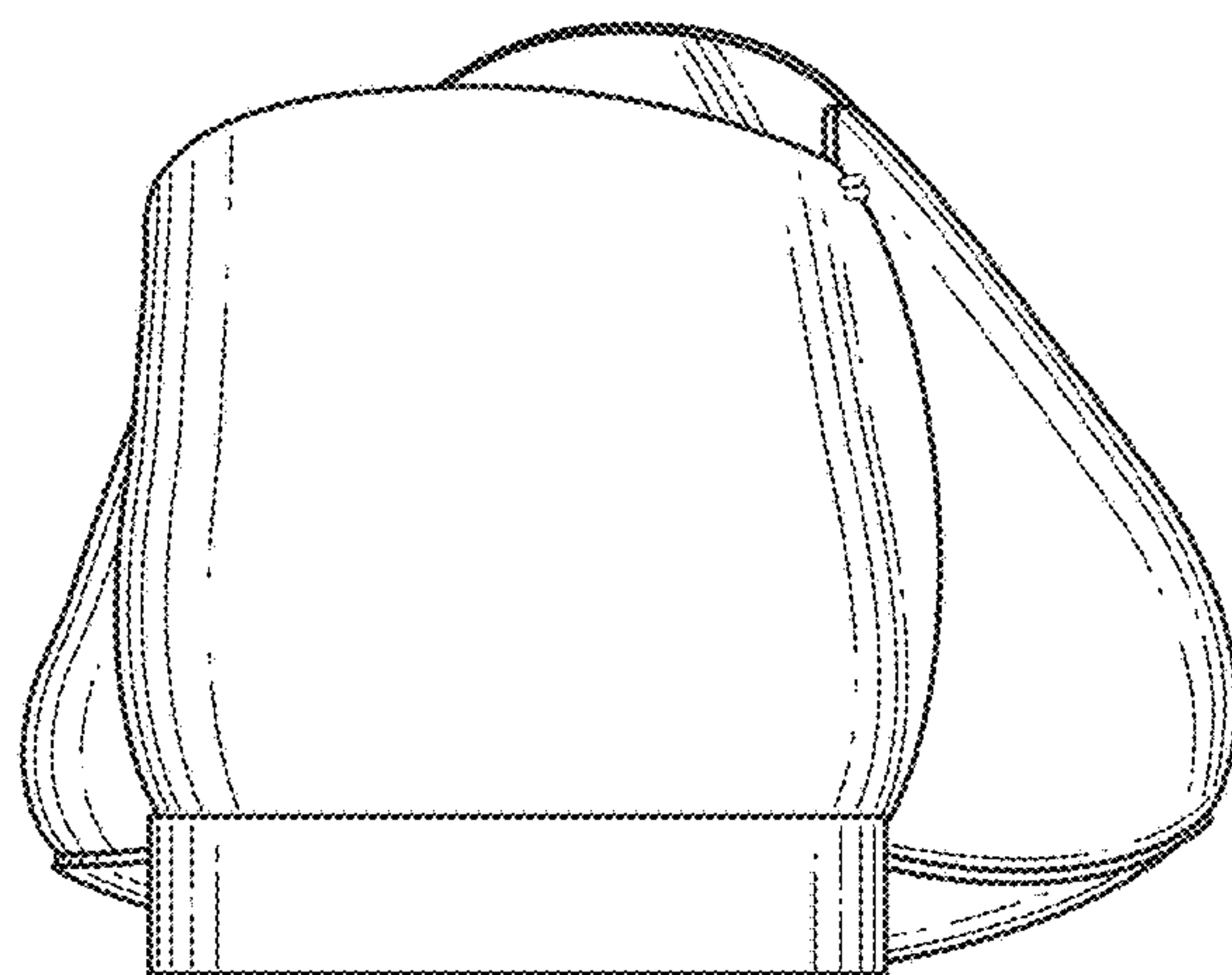


FIG. 7