



US00D829417S

(12) **United States Design Patent** (10) **Patent No.:** **US D829,417 S**
Dillard (45) **Date of Patent:** **** Oct. 2, 2018**

(54) **HAIR WRAP**

(71) Applicant: **It's A Hair Wrap, LLC**, Torrance, CA (US)

(72) Inventor: **Jevonne Dillard**, Torrance, CA (US)

(**) Term: **15 Years**

(21) Appl. No.: **29/594,263**

(22) Filed: **Feb. 16, 2017**

(51) **LOC (11) Cl.** **02-03**

(52) **U.S. Cl.**

USPC **D2/880**

(58) **Field of Classification Search**

USPC D2/865, 866, 867, 869, 870, 877, 878,
D2/880, 881, 883, 885, 891; D24/191;
D28/41; D29/102

CPC .. A42B 1/00; A42B 1/006; A42B 1/04; A42B
1/205; A42B 1/22; A42B 8/00; A42B
8/40

See application file for complete search history.

(56) **References Cited**

U.S. PATENT DOCUMENTS

D389,636 S *	1/1998	Davis, Sr.	D2/865
D539,011 S *	3/2007	Molesky	D2/880
D541,984 S *	5/2007	Jackson	D28/41
D575,033 S *	8/2008	Levering	D2/867
7,437,777 B2 *	10/2008	Marquardt	A42B 1/041 2/171
D583,097 S	12/2008	Levering	
D594,634 S *	6/2009	Dolby	D2/877
7,707,656 B2 *	5/2010	Beausang	A42B 1/041 2/183
D756,074 S *	5/2016	Milberg	D2/885
D759,353 S *	6/2016	Milberg	D2/885

D771,356 S *	11/2016	Milberg	D2/881
2014/0299795 A1 *	10/2014	Cohen	A42B 1/008 250/516.1
2017/0318885 A1 *	11/2017	Smith	A42B 1/04

OTHER PUBLICATIONS

It's a Hair Wrap (Step Demo), [on-line video]; [published to the Internet on Jul. 9, 2017]; [retrieved from the Internet on Jan. 30, 2018]; URL: <https://www.youtube.com/watch?v=AOkGD6U-9Wo>. (4 pgs).*

* cited by examiner

Primary Examiner — Karen S Acker

Assistant Examiner — Jasmine Mlinarcik

(74) *Attorney, Agent, or Firm* — Smyrski Law Group, A P.C.

(57) **CLAIM**

The ornamental design for a hair wrap, as shown and described.

DESCRIPTION

FIG. 1 is a perspective view of the hair wrap showing the front, top, and right sides of my new design in a worn orientation;

FIG. 2 is a top view thereof;

FIG. 3 is a right side elevation view thereof;

FIG. 4 is a left side elevation view thereof;

FIG. 5 is a front elevation view thereof;

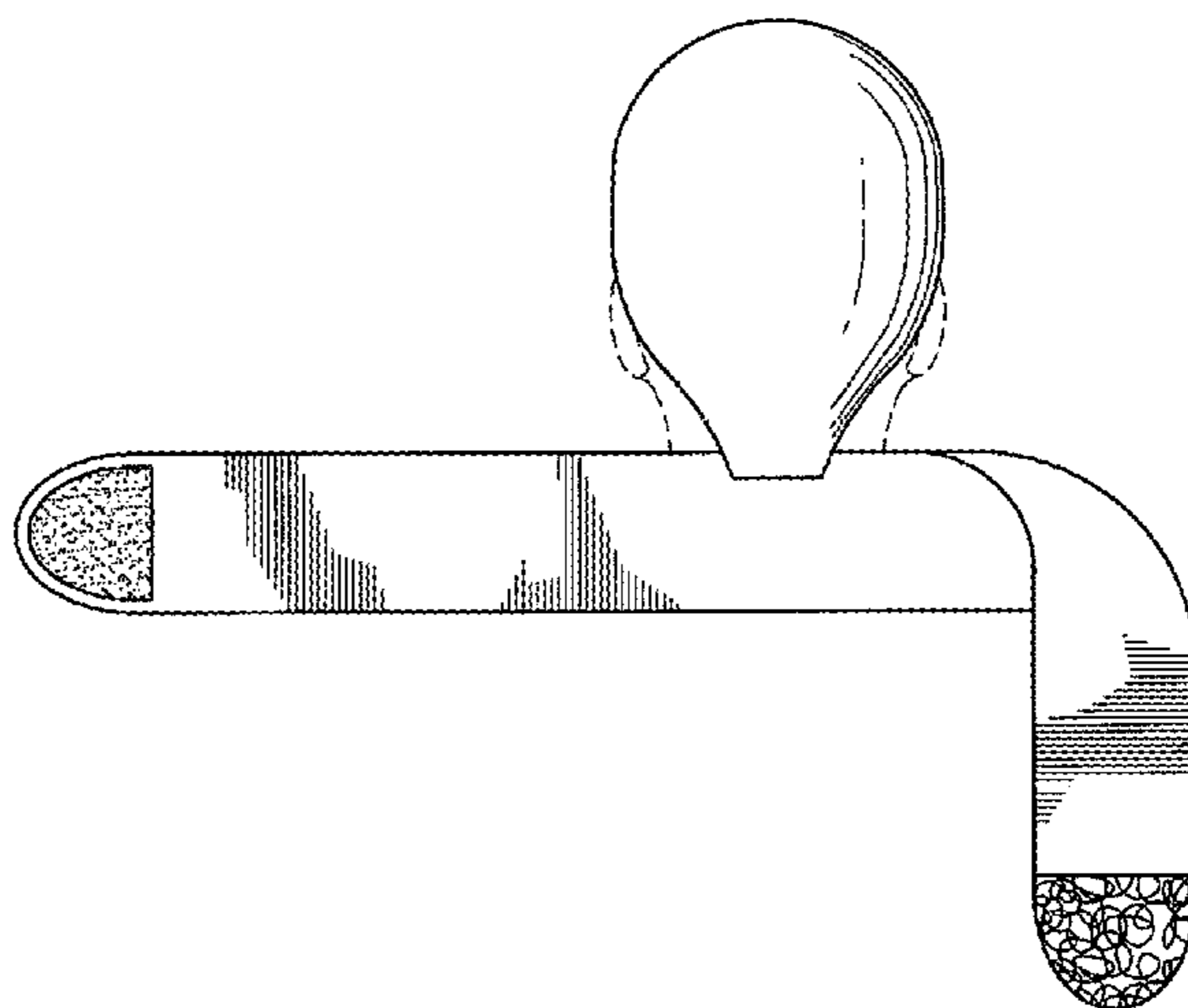
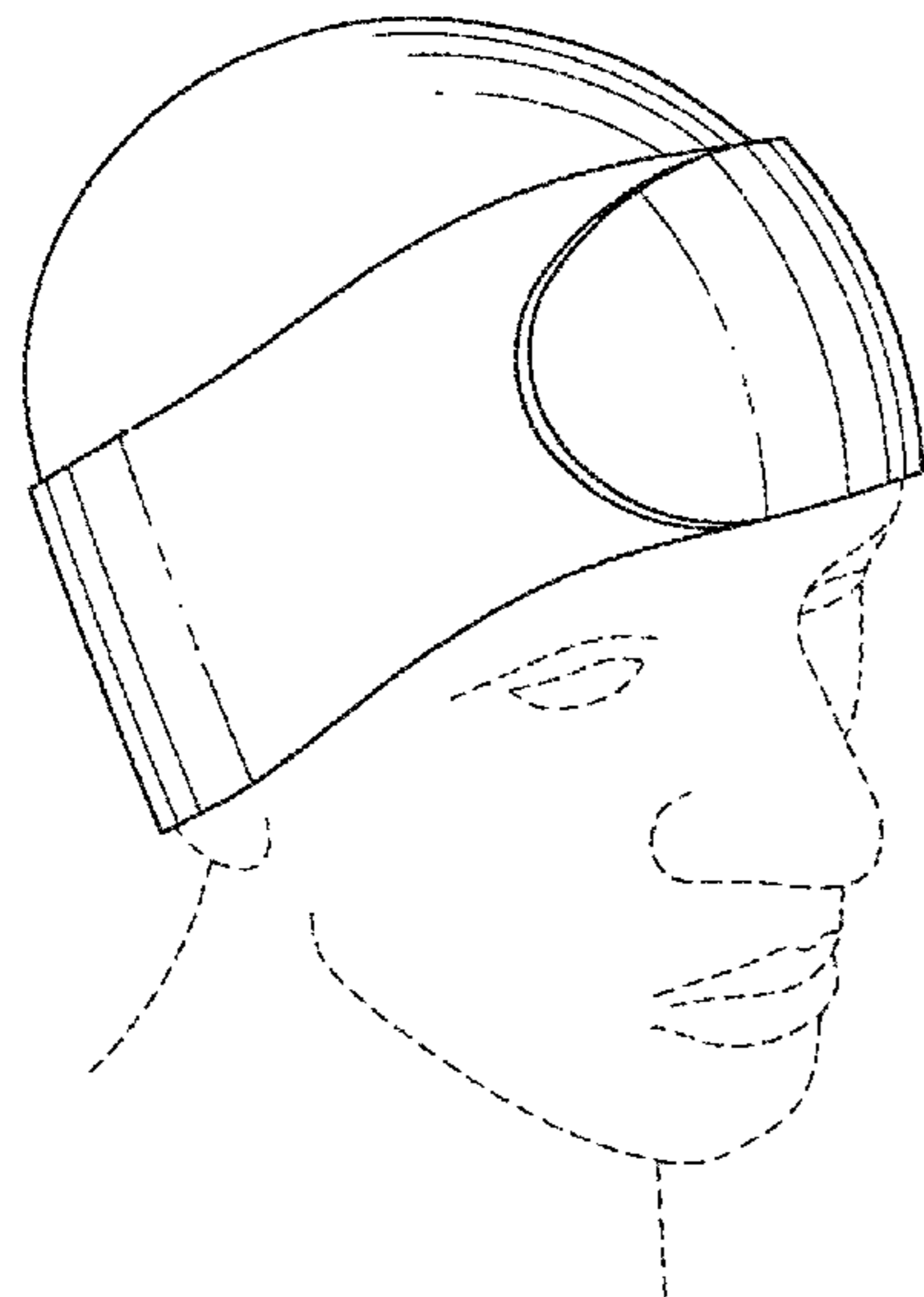
FIG. 6 is a rear elevation view thereof;

FIG. 7 is a rear view thereof in an unwrapped orientation; and,

FIG. 8 is a rear view thereof in an unwrapped and physically separated orientation.

The partial human figure depicted by broken lines assists in showing how the claimed design may appear when worn and forms no part of the claimed design.

1 Claim, 4 Drawing Sheets



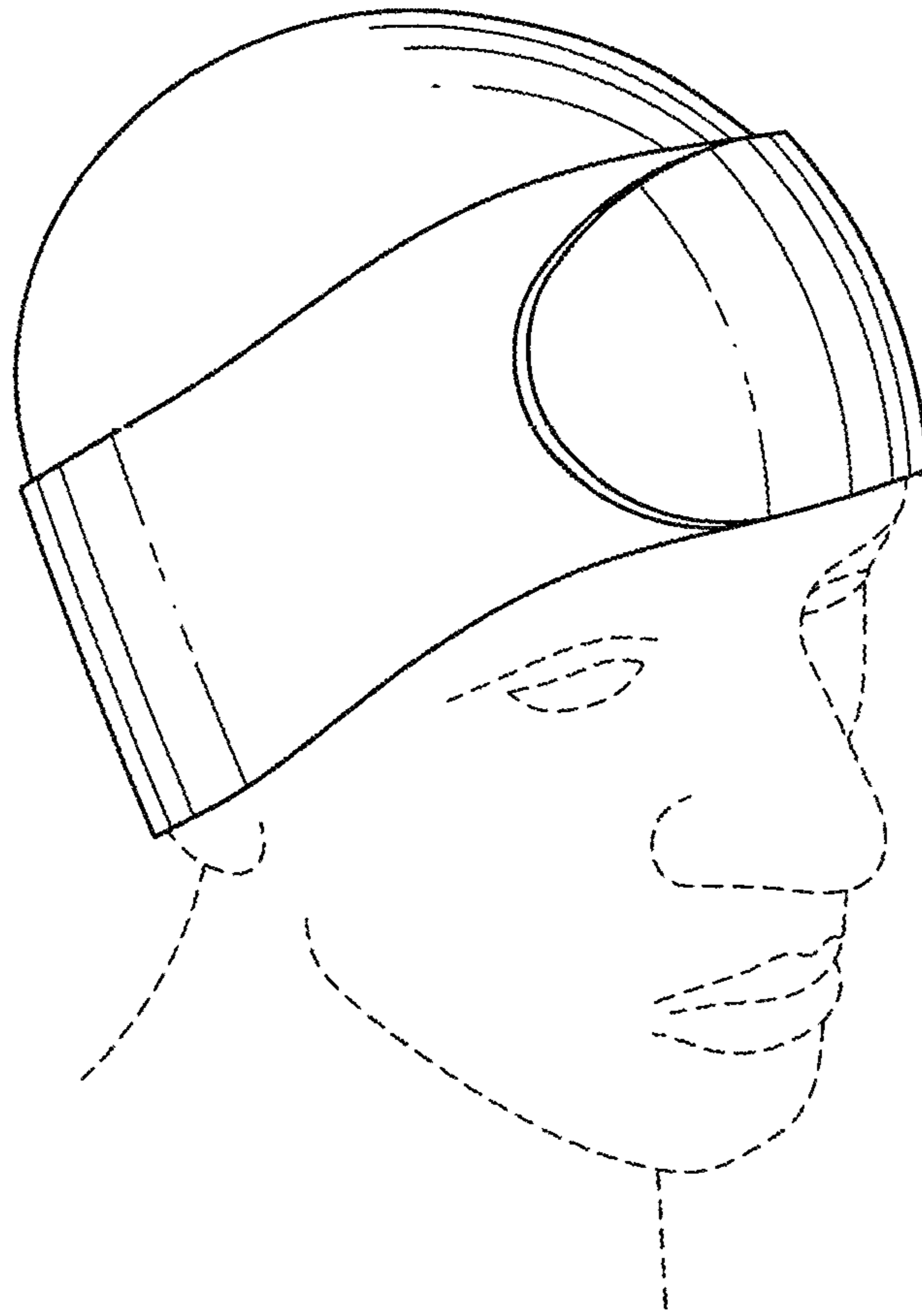


FIG. 1

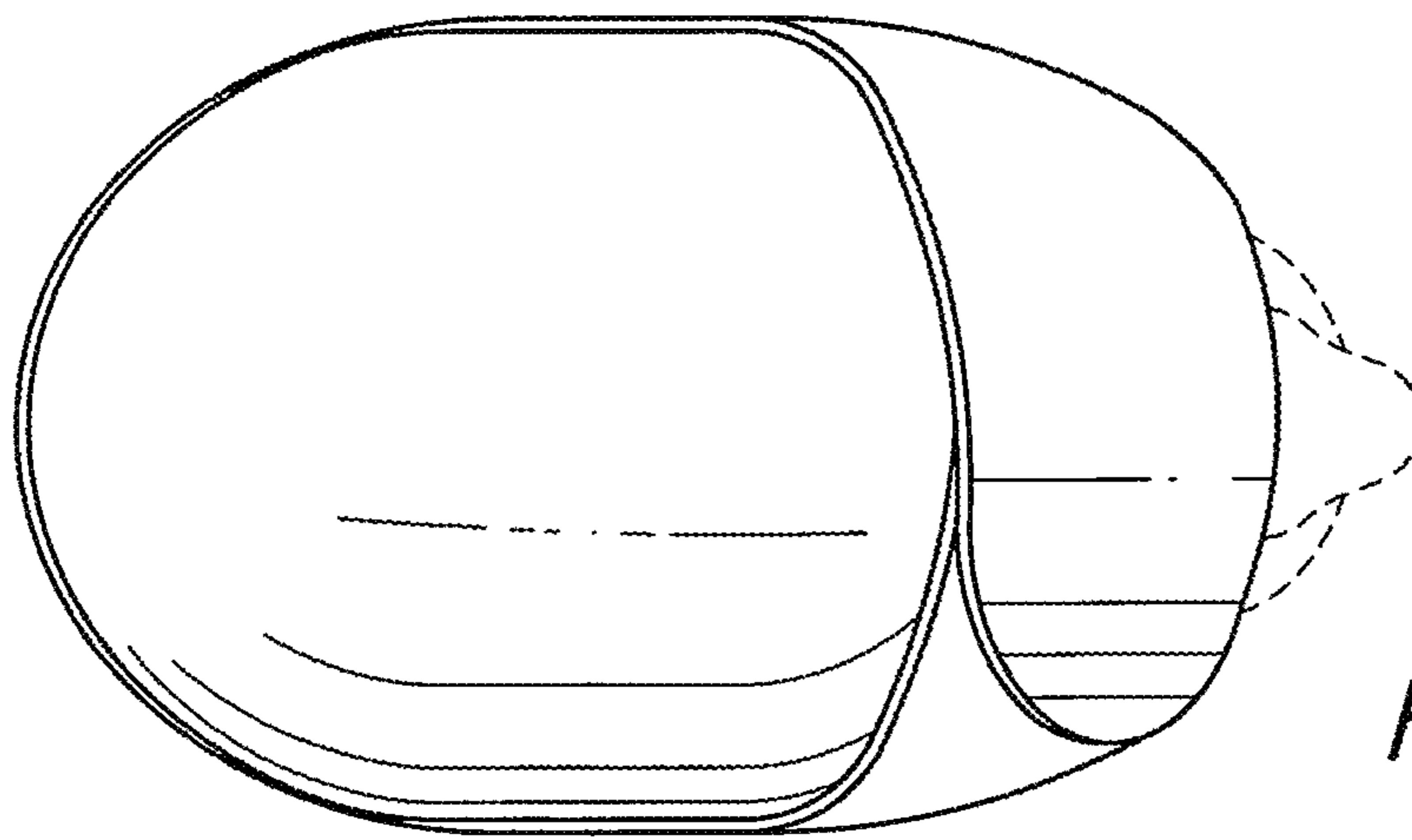


FIG. 2

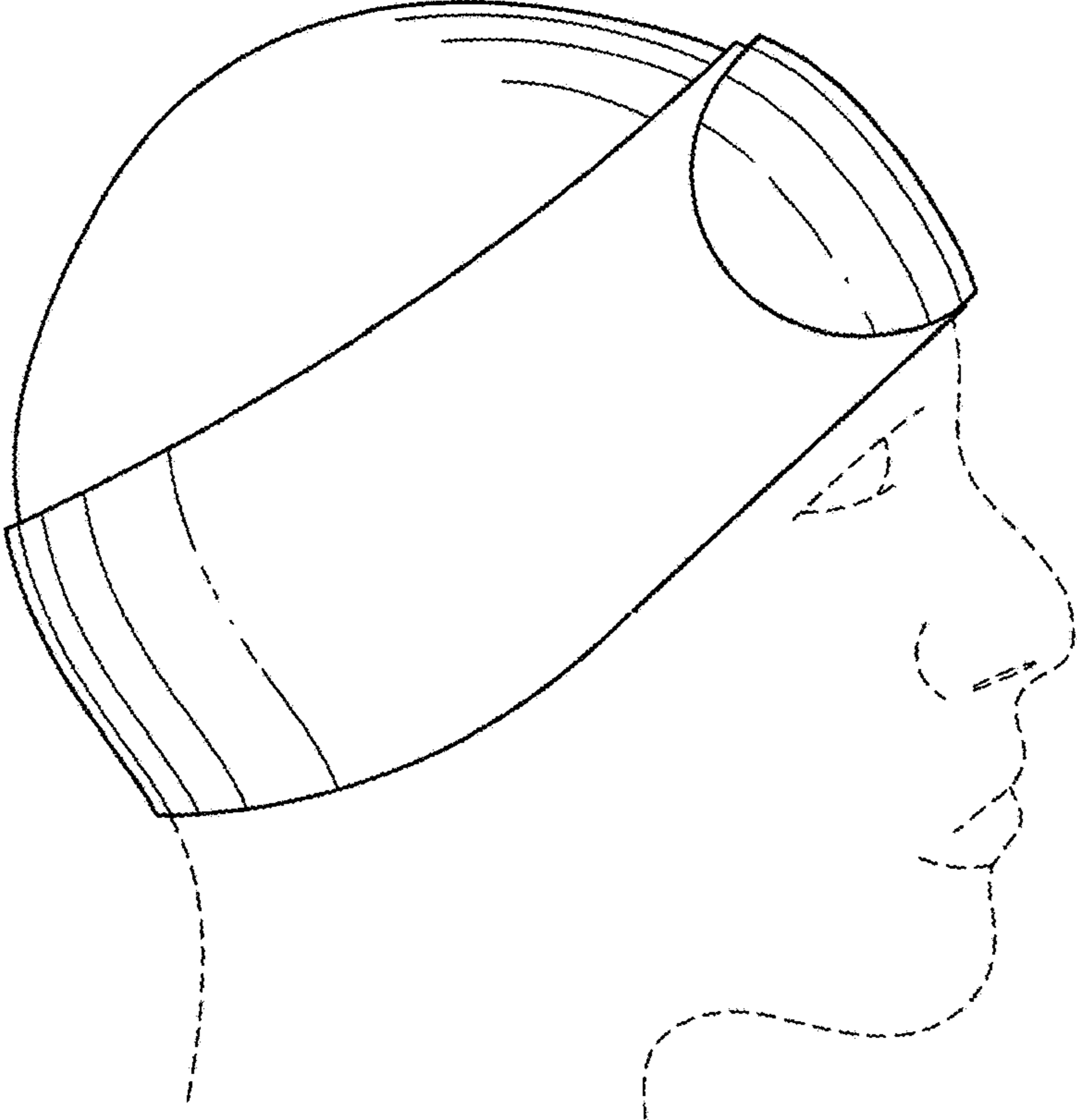


FIG. 3

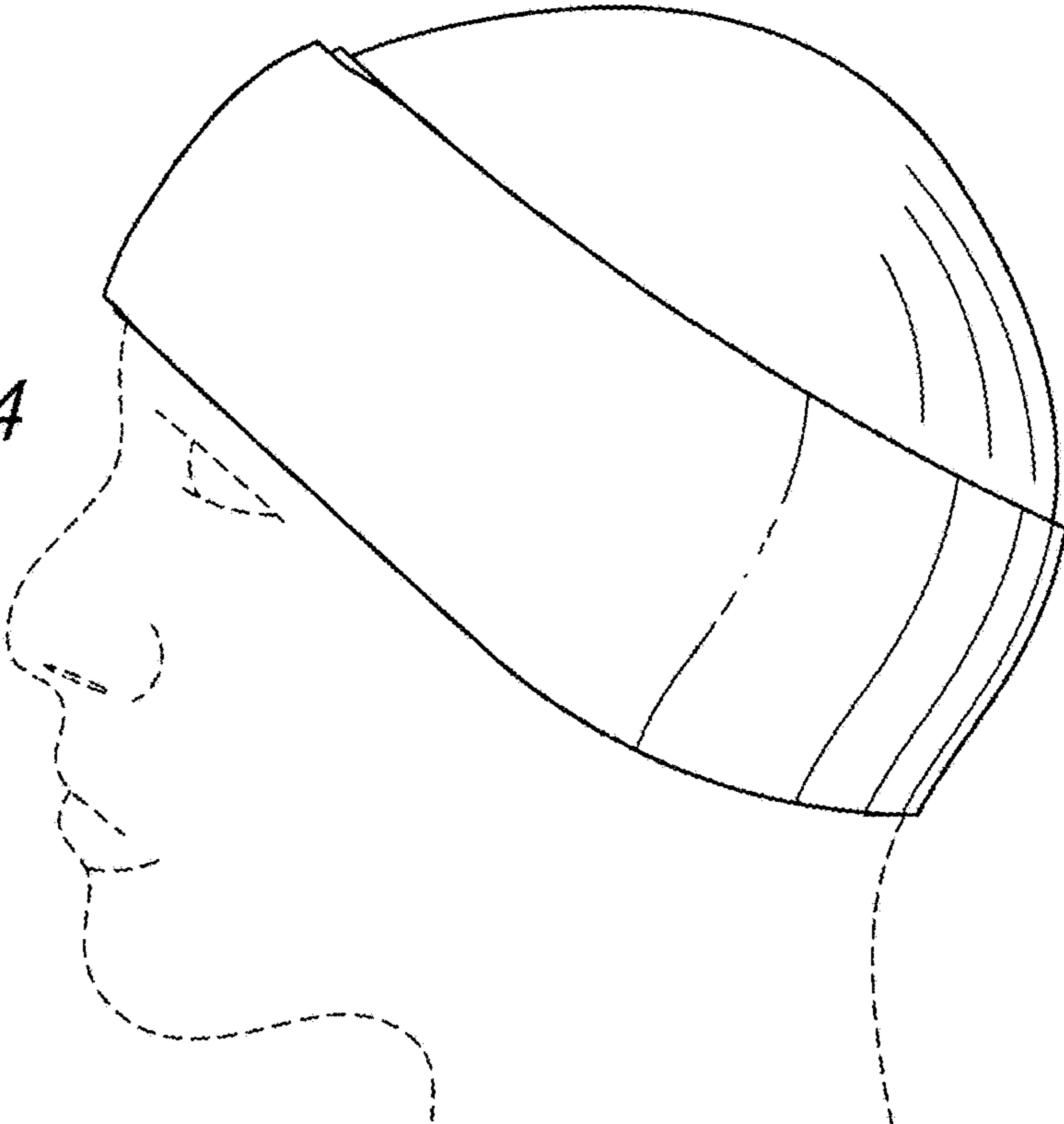


FIG. 4

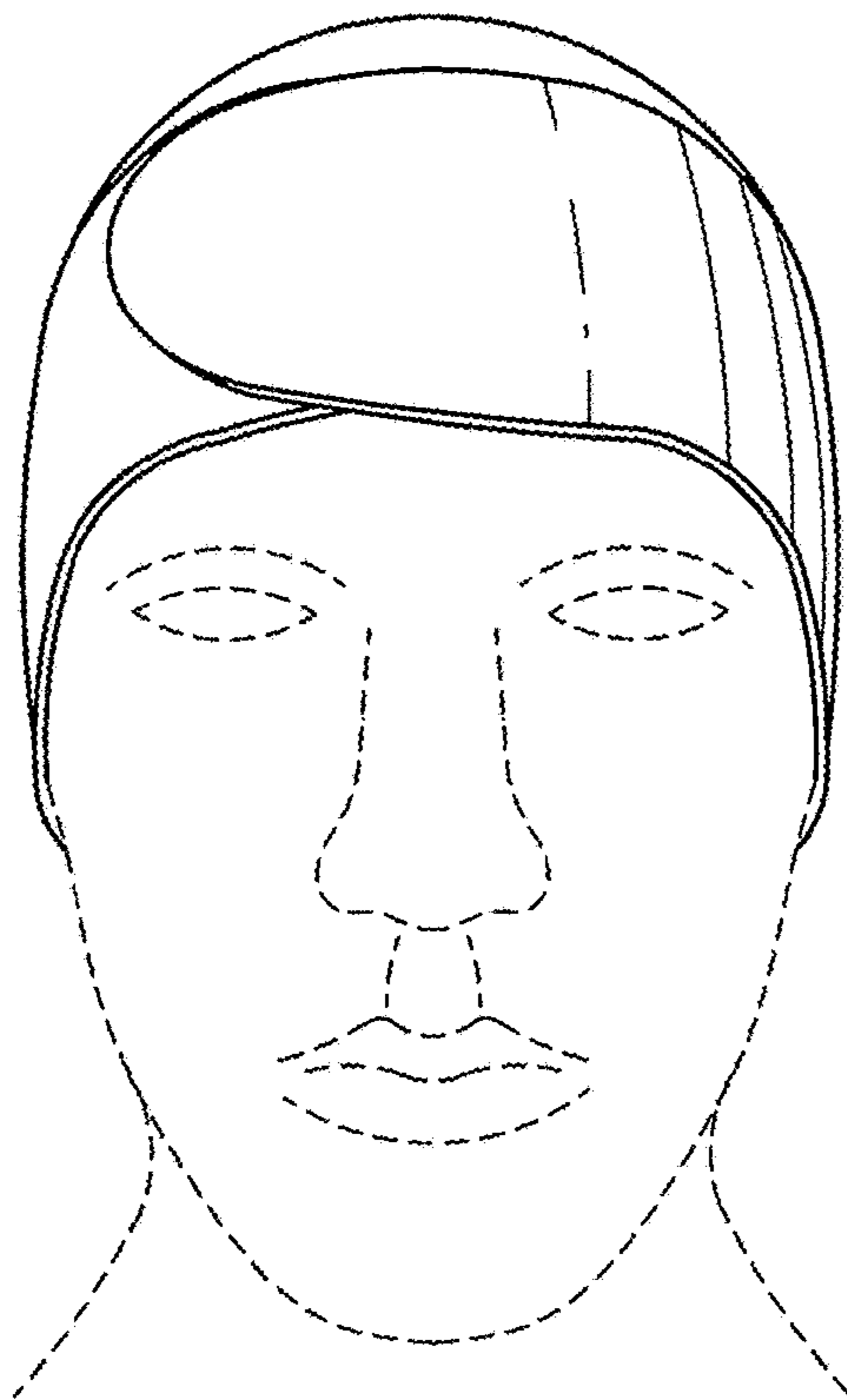


FIG. 5

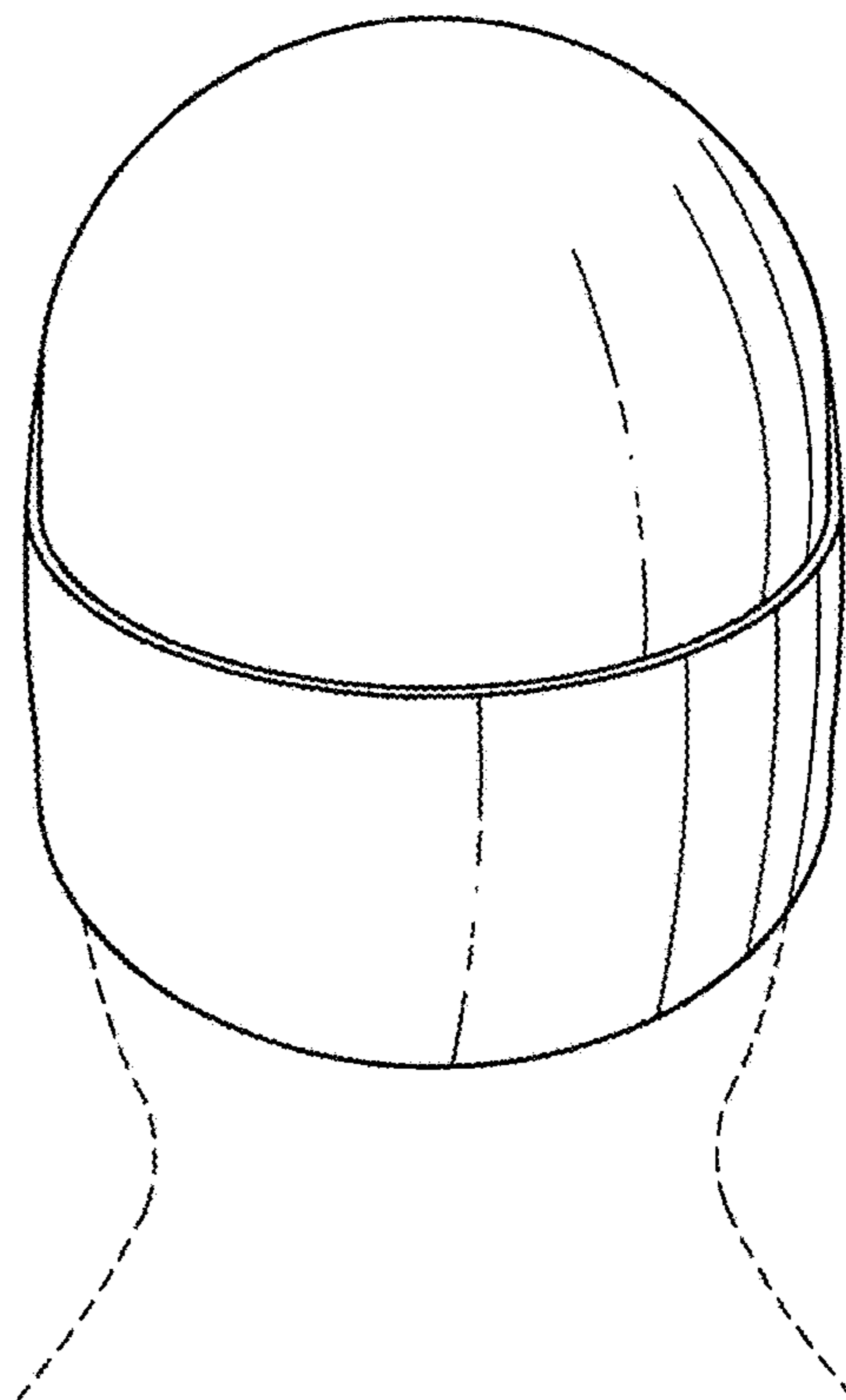


FIG. 6

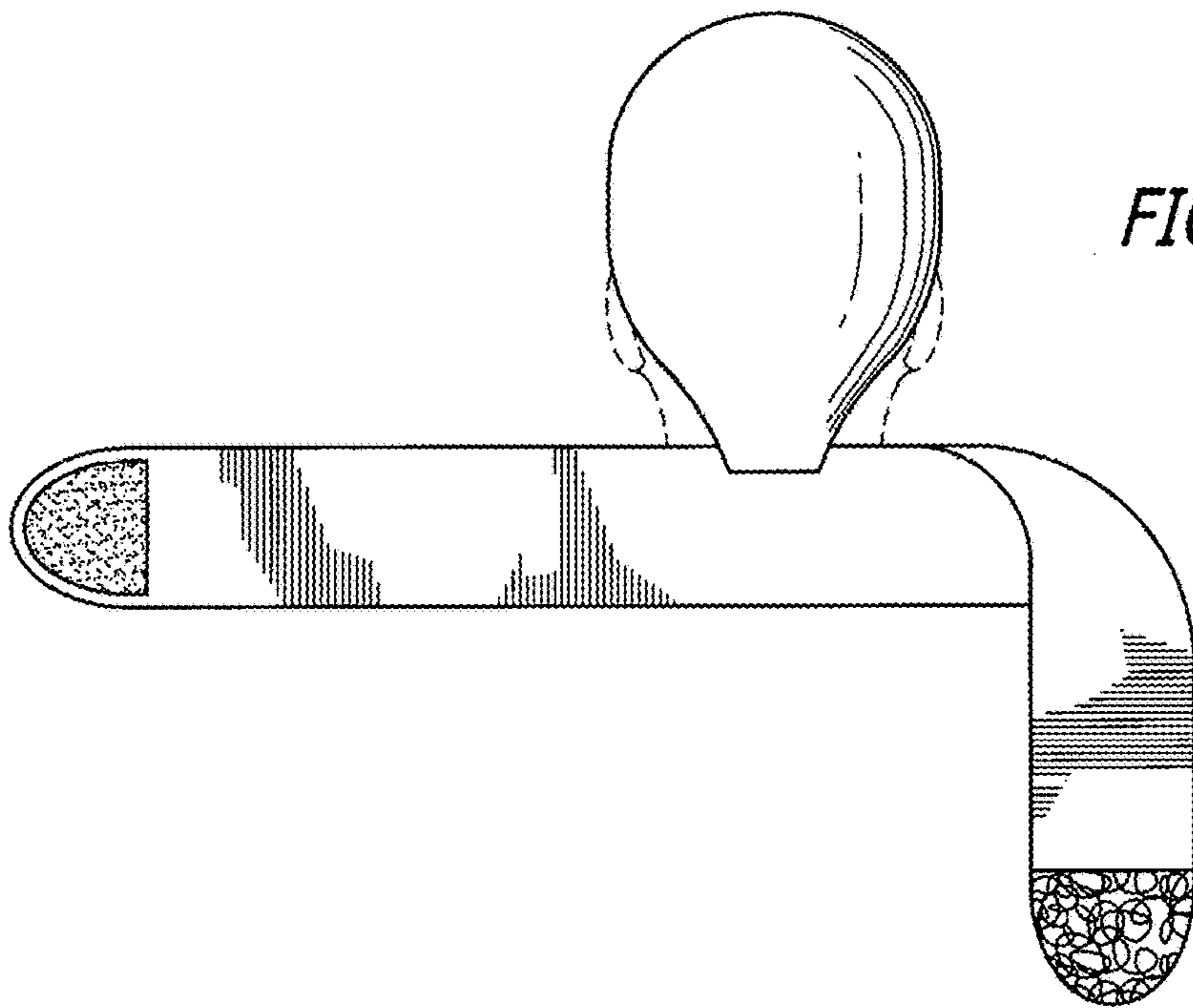


FIG. 7

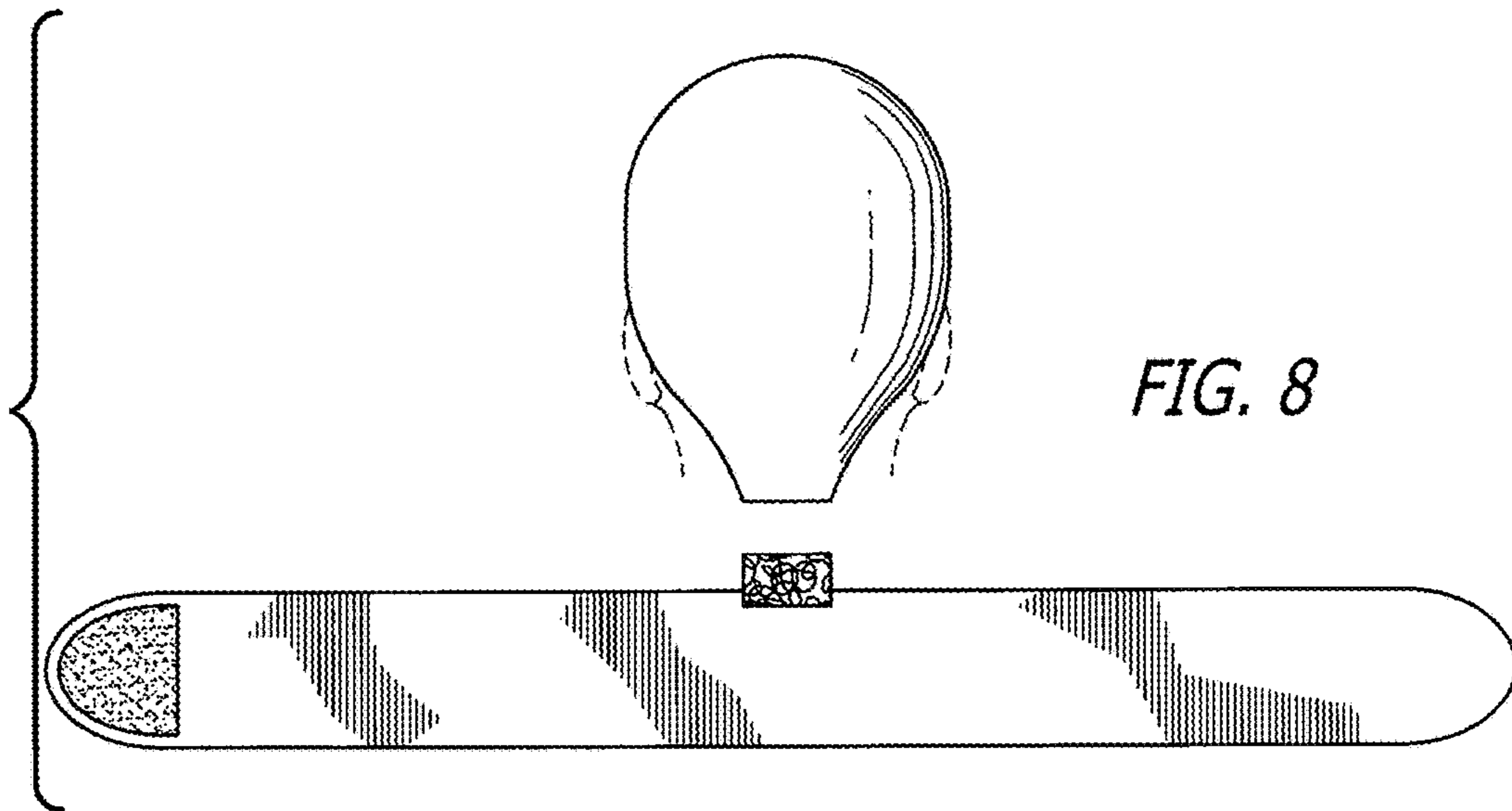


FIG. 8