



US00D829416S

(12) **United States Design Patent**
Lin

(10) **Patent No.:** **US D829,416 S**
(45) **Date of Patent:** **** Oct. 2, 2018**

(54) **HEADGEAR**

(71) Applicant: **UNIQUE WORK INTERNATIONAL ENTERPRISE LIMITED COMPANY**, Taichung (TW)

(72) Inventor: **Yen-Chang Lin**, Taichung (TW)

(73) Assignee: **UNIQUE WORK INTERNATIONAL ENTERPRISE LTD., CO.**, Taichung (TW)

(**) Term: **15 Years**

(21) Appl. No.: **29/599,503**

(22) Filed: **Apr. 4, 2017**

(30) **Foreign Application Priority Data**

Oct. 5, 2016 (TW) 105306005

(51) **LOC (11) Cl.** **02-03**

(52) **U.S. Cl.**
USPC **D2/865**

(58) **Field of Classification Search**
USPC D2/865, 866, 867, 868, 869, 870, 871, D2/874, 875, 877, 880, 881, 891, 892, D2/894, 895; D24/110.1, 191, 206, 207; D29/100, 101.2, 102, 105, 106, 108, 122
CPC A42B 1/00; A42B 1/002; A42B 1/008; A42B 1/045; A42B 1/08; A42B 1/22; A42C 5/02; A42C 5/04

See application file for complete search history.

(56) **References Cited**

U.S. PATENT DOCUMENTS

1,265,426 A * 5/1918 Chernov et al. A42B 1/045
2/208
4,934,357 A * 6/1990 Frantzich A61F 13/122
602/61

5,361,416 A * 11/1994 Petrie A42B 3/08
2/171
D360,746 S * 8/1995 Bowser D2/865
6,277,053 B1 * 8/2001 Desembrana A61N 2/06
482/11
D475,140 S * 5/2003 Anderson D24/191
D550,849 S * 9/2007 Baker D24/191
7,775,938 B1 * 8/2010 Anderson A61F 5/56
482/10
D635,268 S * 3/2011 Sagnip D24/191
D685,915 S * 7/2013 Reams A61F 5/3707
D24/191

* cited by examiner

Primary Examiner — Karen S Acker

Assistant Examiner — Jasmine Mlinarcik

(74) *Attorney, Agent, or Firm* — Muncy, Geissler, Olds & Lowe, P.C.

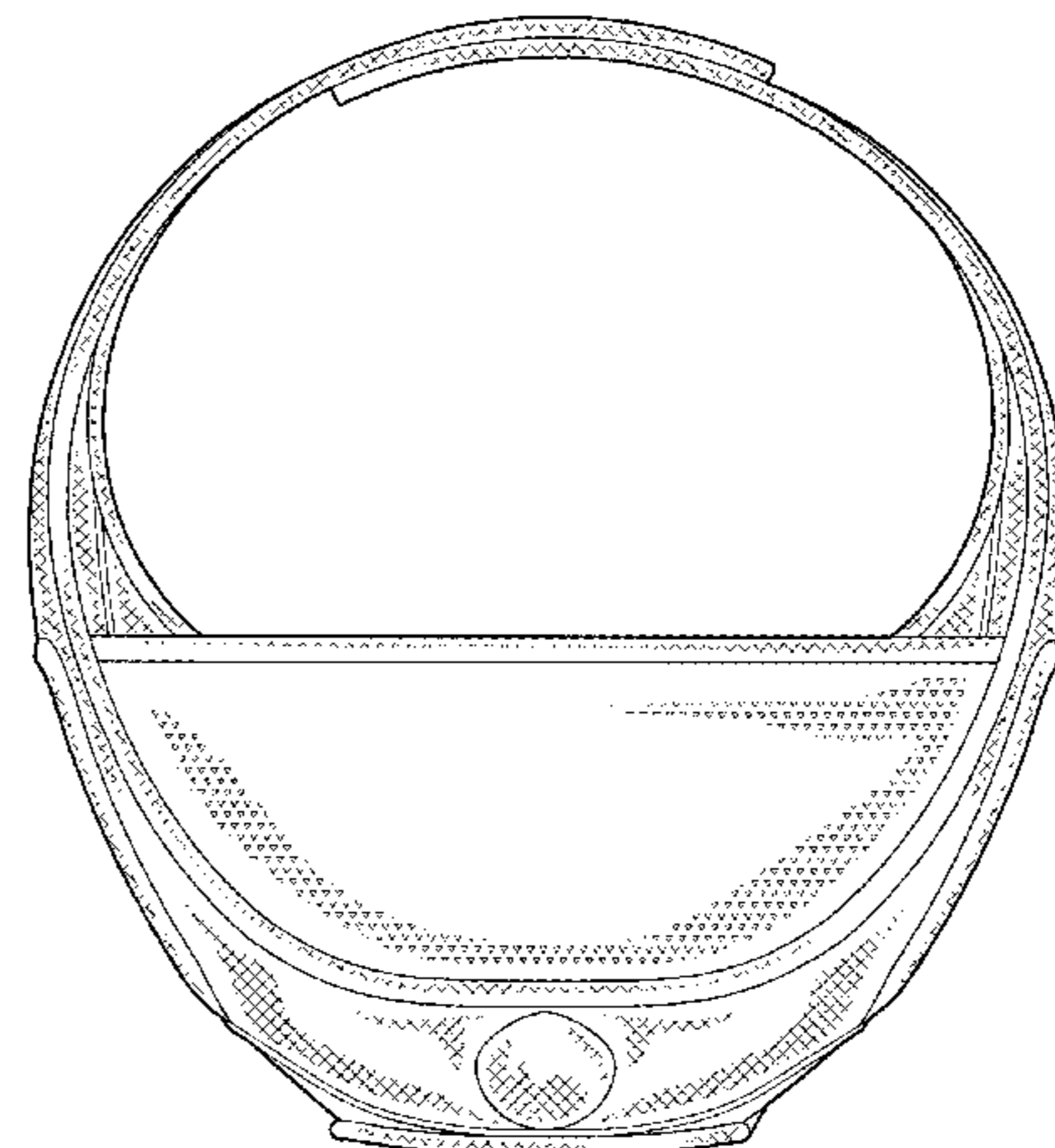
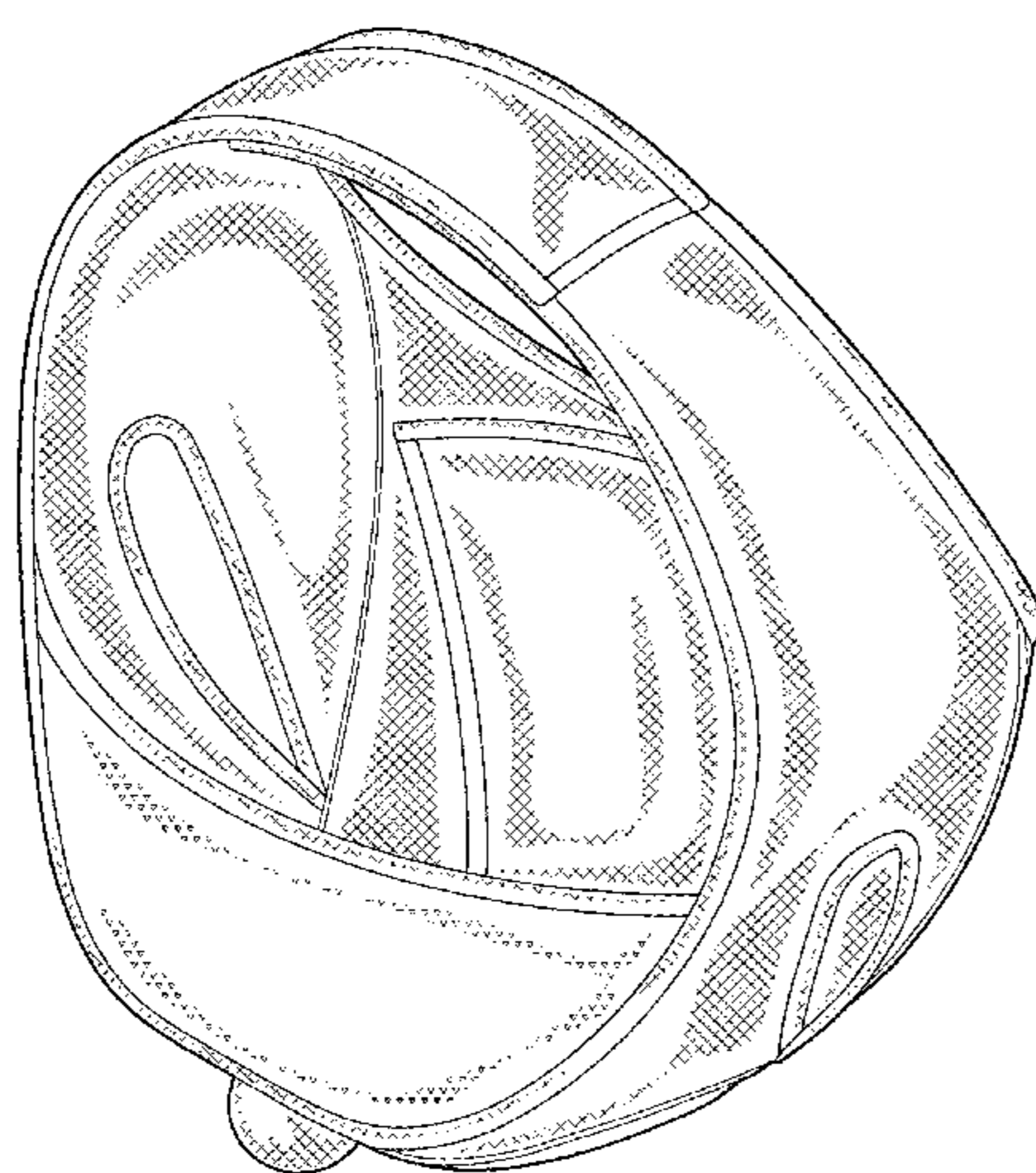
(57) **CLAIM**

The ornamental design for a headgear, as shown and described.

DESCRIPTION

FIG. 1 is a perspective view of a headgear showing my new design;
FIG. 2 is a front elevational view thereof;
FIG. 3 is a rear elevational view thereof;
FIG. 4 is a left side elevational view thereof;
FIG. 5 is a right side elevational view thereof;
FIG. 6 is a top plan view thereof;
FIG. 7 is a bottom plan view thereof; and,
FIG. 8 is another perspective view thereof.

1 Claim, 8 Drawing Sheets



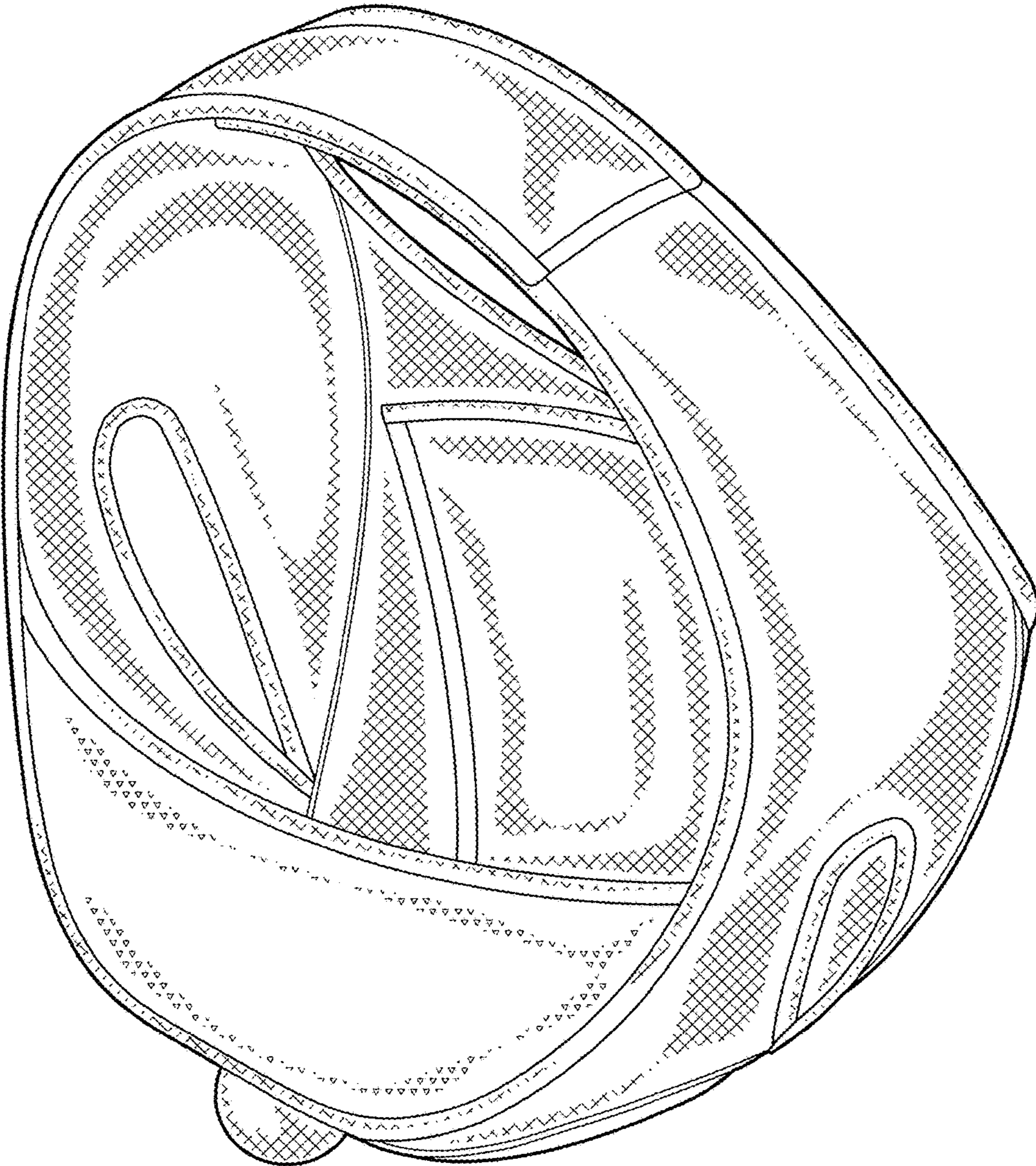


FIG. 1

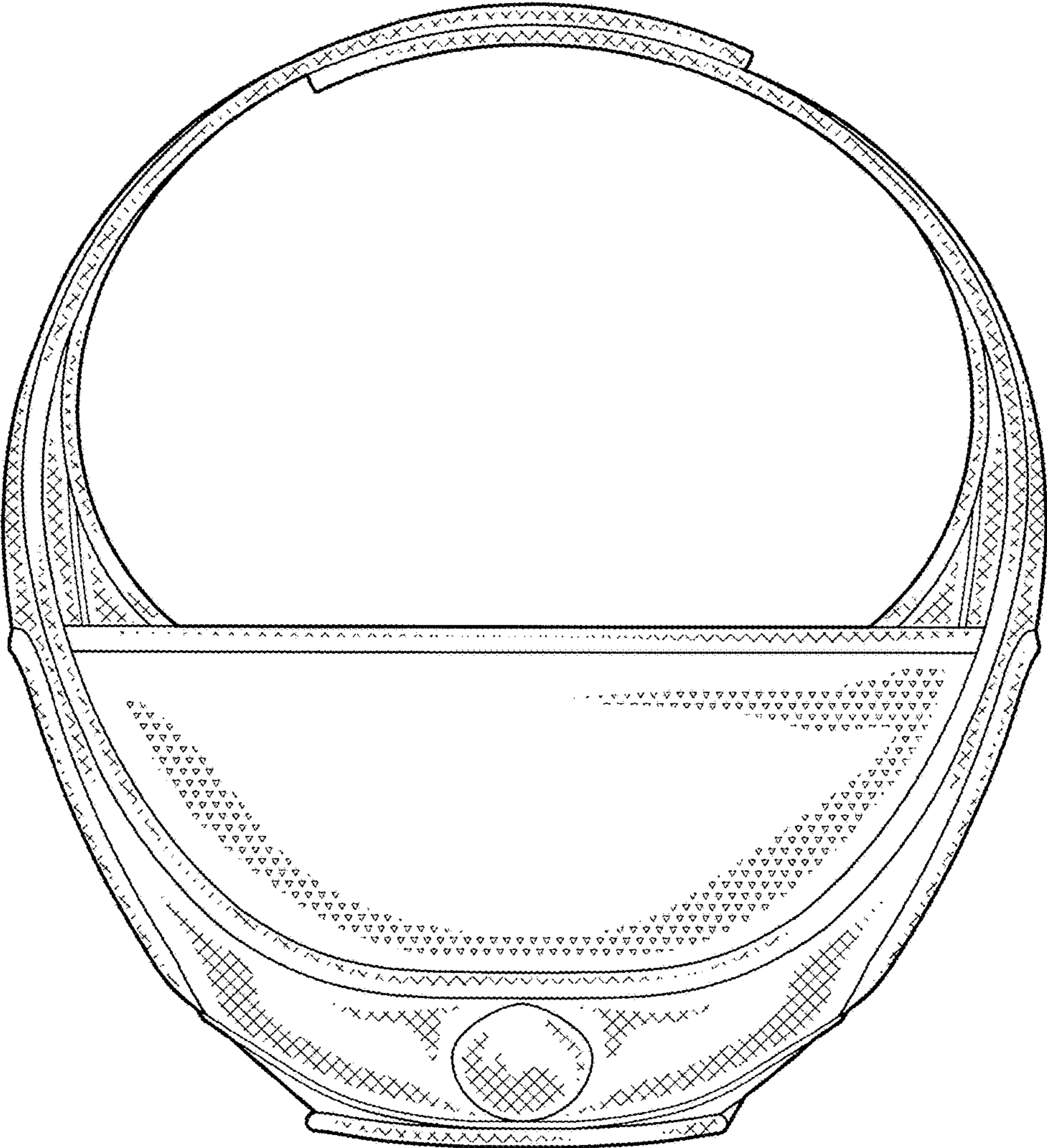


FIG. 2

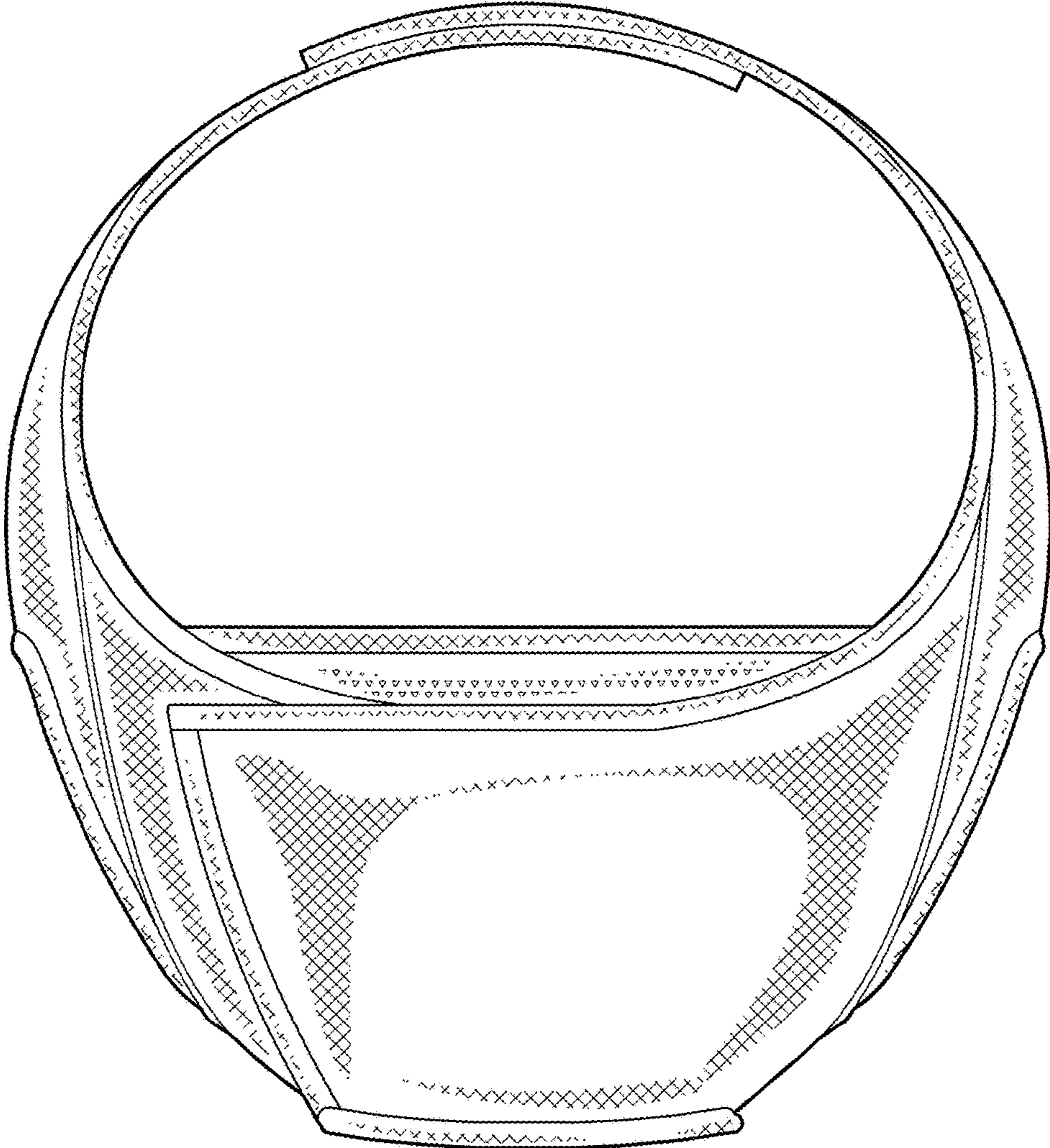


FIG. 3

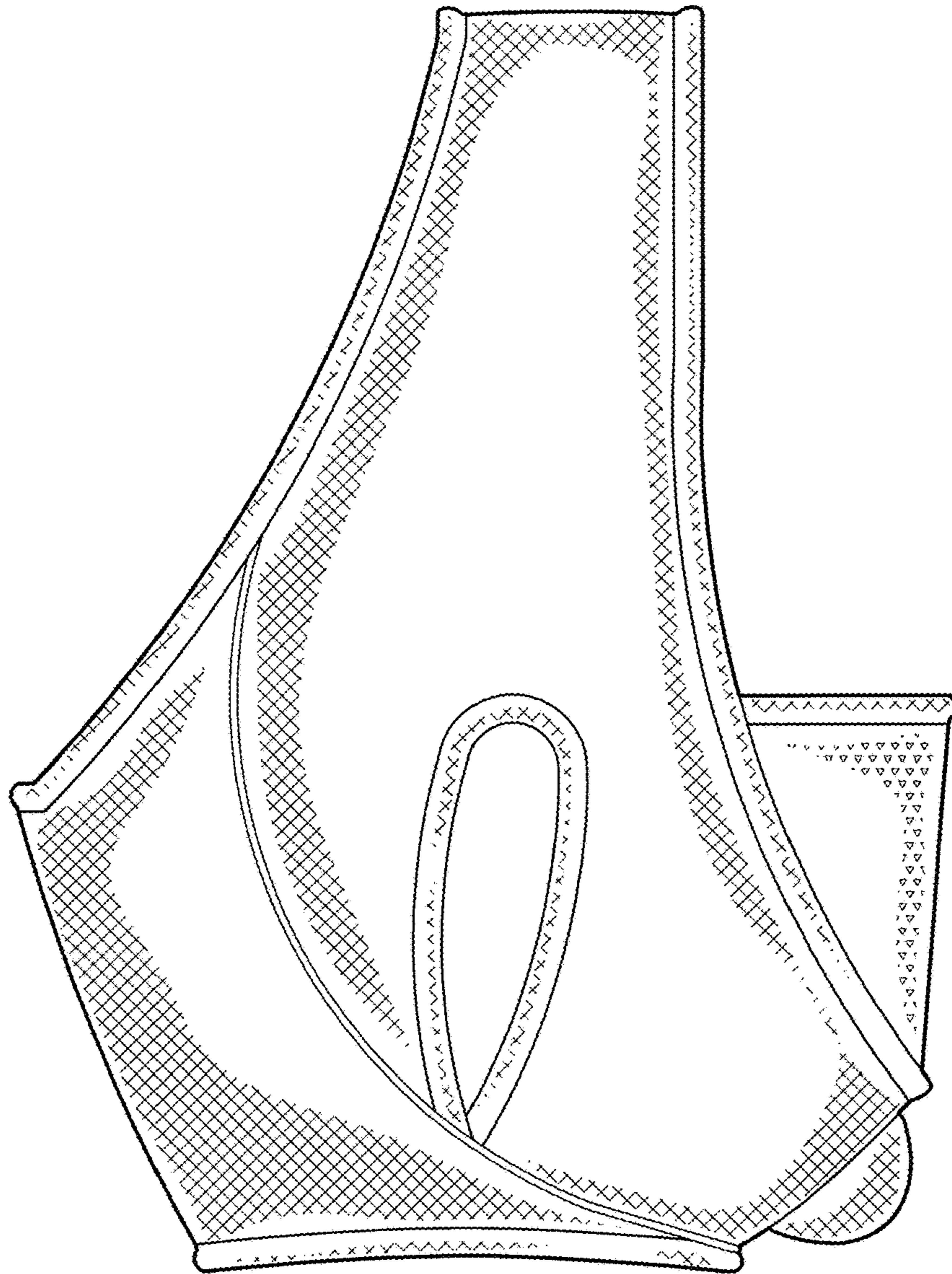


FIG. 4

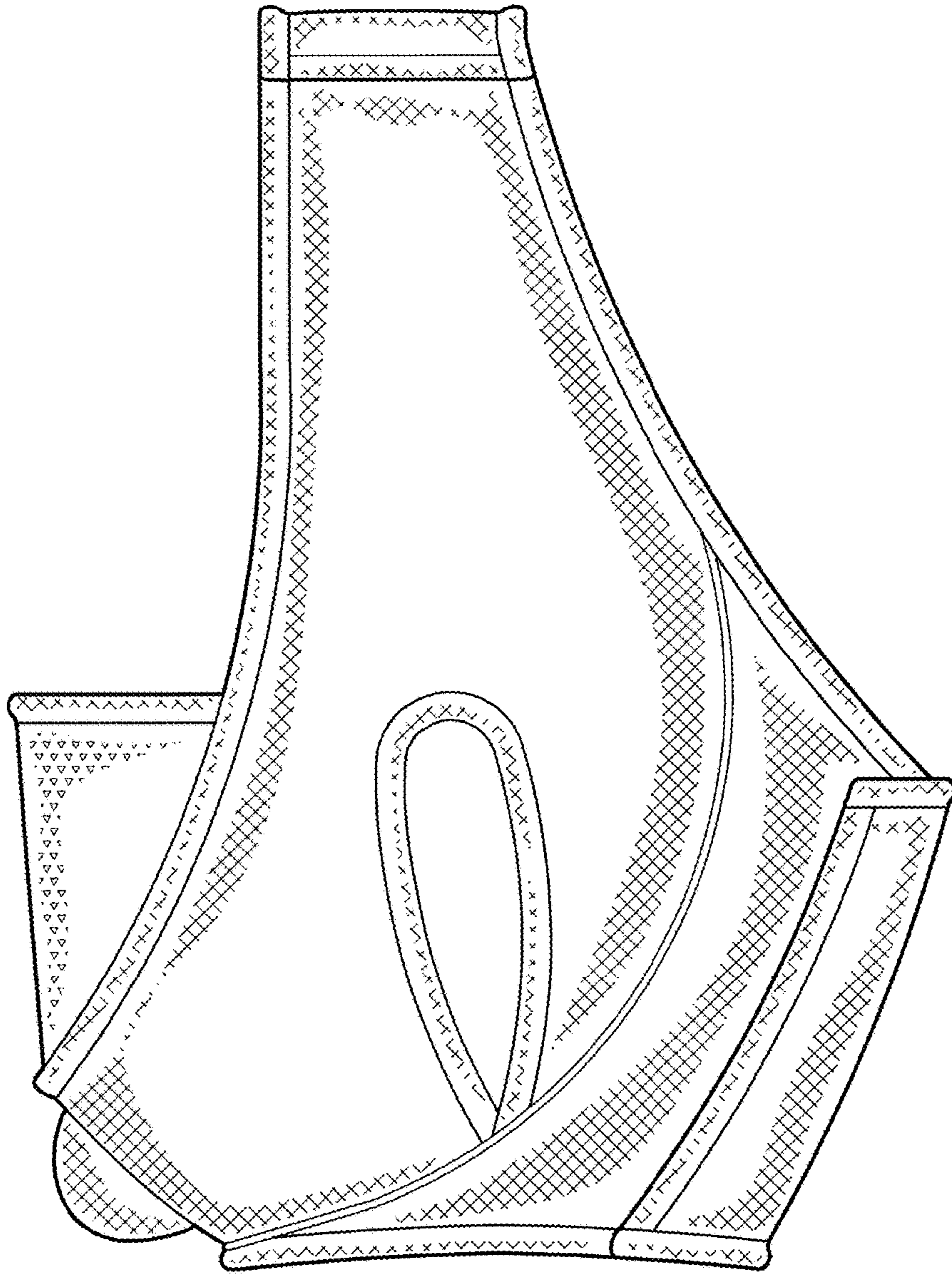


FIG. 5

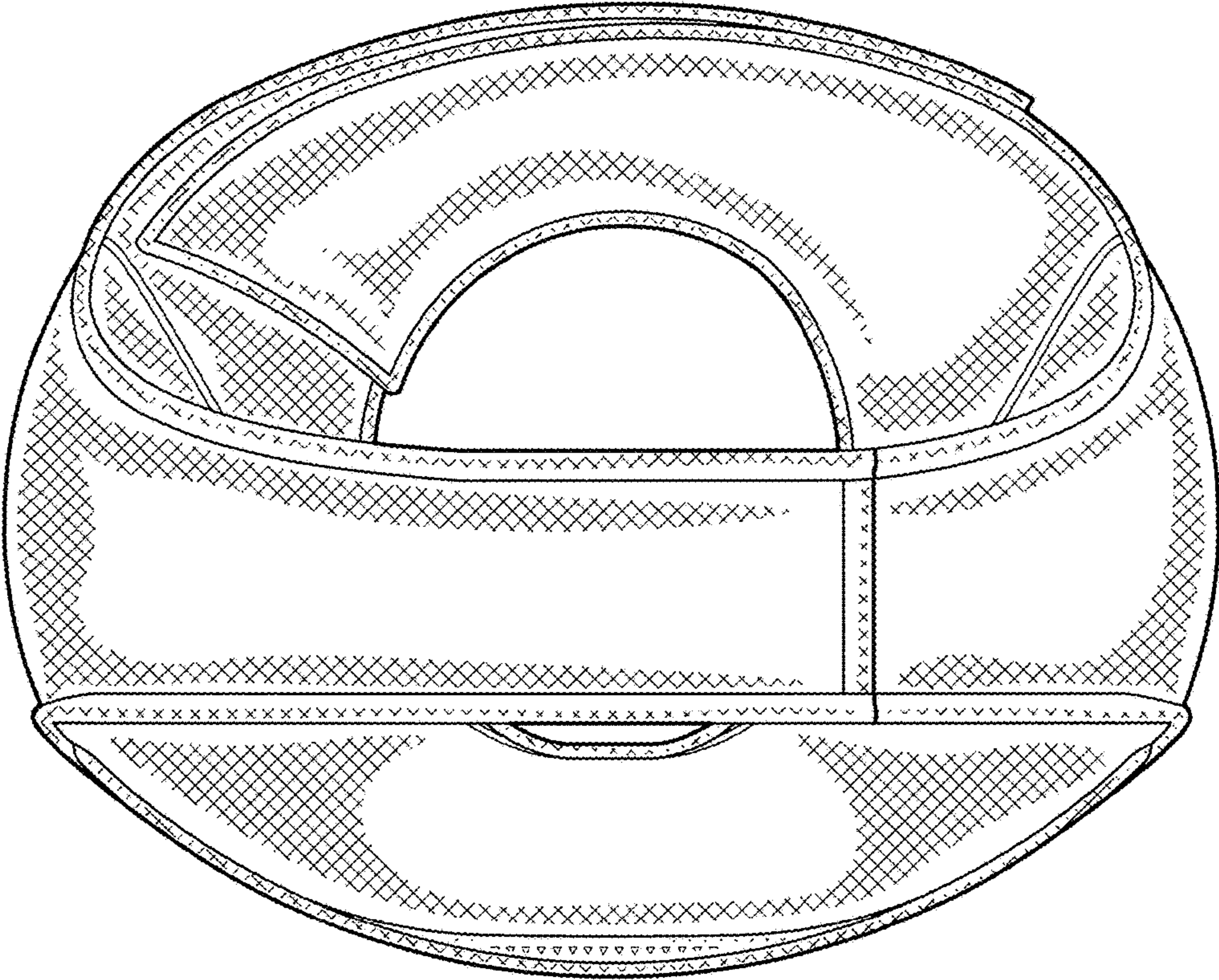


FIG. 6

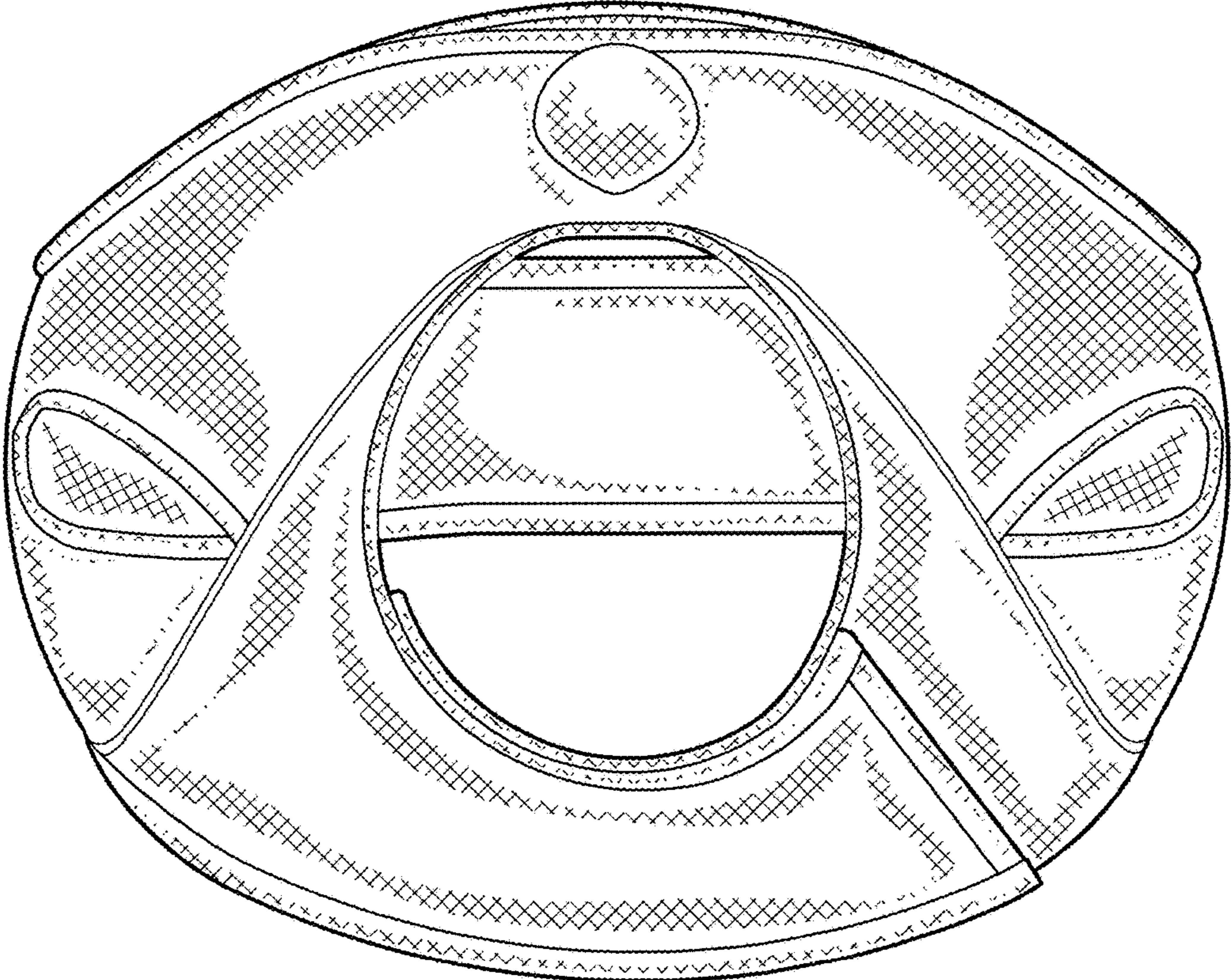


FIG. 7

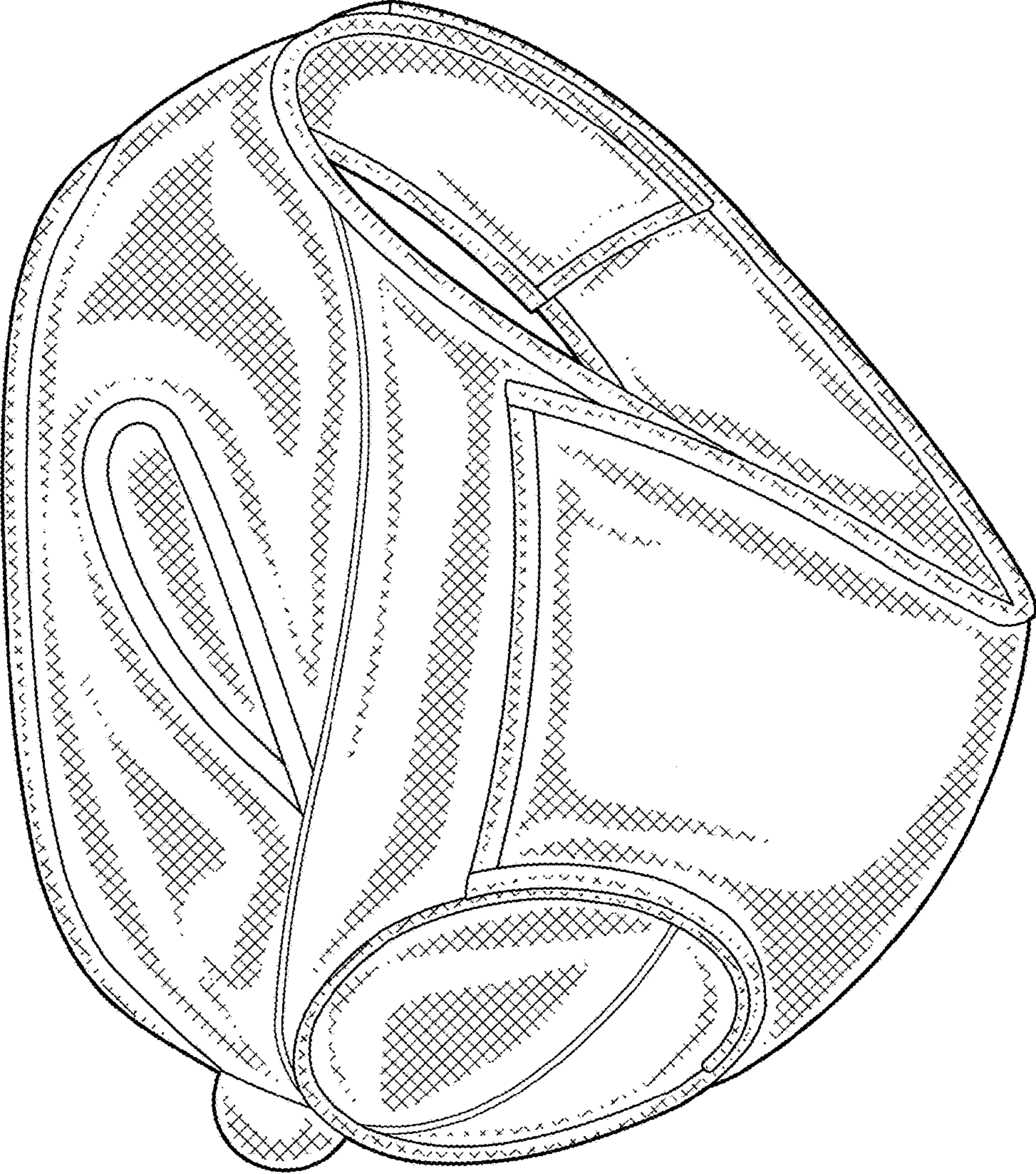


FIG. 8