

US00D829415S

(12) **United States Design Patent** (10) **Patent No.:** **US D829,415 S**
Harris (45) **Date of Patent:** **** Oct. 2, 2018**

(54) **BARBER NECK STRIP**
(71) Applicant: **Frank N. Harris**, Groton, NH (US)
(72) Inventor: **Frank N. Harris**, Groton, NH (US)
(73) Assignees: **Lori Ann Berube**, Bridgewater, NH (US); **Frank N. Harris**, Groton, NH (US)
(**) Term: **15 Years**
(21) Appl. No.: **29/610,238**
(22) Filed: **Jul. 11, 2017**
(51) **LOC (11) Cl.** **02-02**
(52) **U.S. Cl.**
USPC **D2/860**
(58) **Field of Classification Search**
USPC D2/502, 853, 857, 860, 861, 878;
D21/683; D24/190, 191
CPC A41B 3/00; A45D 44/08; A41F 11/16
See application file for complete search history.

(56) **References Cited**
U.S. PATENT DOCUMENTS
297,653 A * 4/1884 Whited A41B 3/00
2/129
356,624 A * 1/1887 Curtis A41B 3/00
2/143
1,421,690 A * 7/1922 Howard A41F 11/16
2/321
D92,784 S * 7/1934 Van Gelder D2/602
2,444,381 A * 6/1948 Sperber A41B 3/00
2/143
2,671,904 A * 3/1954 Stroh A41F 11/16
2/240
2,892,909 A * 6/1959 Darnutzer A45D 44/08
2/50
3,153,246 A * 10/1964 Silverman A41F 15/005
2/338
D300,682 S * 4/1989 Ciavatta D2/742

4,921,447 A * 5/1990 Capp H01R 43/0207
439/585
D408,967 S * 5/1999 Van Hoesen D2/853
D550,369 S * 9/2007 Stark D21/683
D566,799 S * 4/2008 Flavell D21/683
D582,994 S * 12/2008 Ulichney D21/683
7,854,019 B2 * 12/2010 Delaney A41D 27/145
2/232
D639,028 S * 6/2011 Njoku D2/853
D653,018 S * 1/2012 Webbe D2/602
D659,951 S * 5/2012 Leeper D2/853
D674,493 S * 1/2013 Nichols D24/189
D675,401 S * 2/2013 Whitfield D2/860
D679,405 S * 4/2013 Arbesman D24/189
D690,019 S * 9/2013 Nichols D24/189
D705,523 S * 5/2014 Henry D2/853

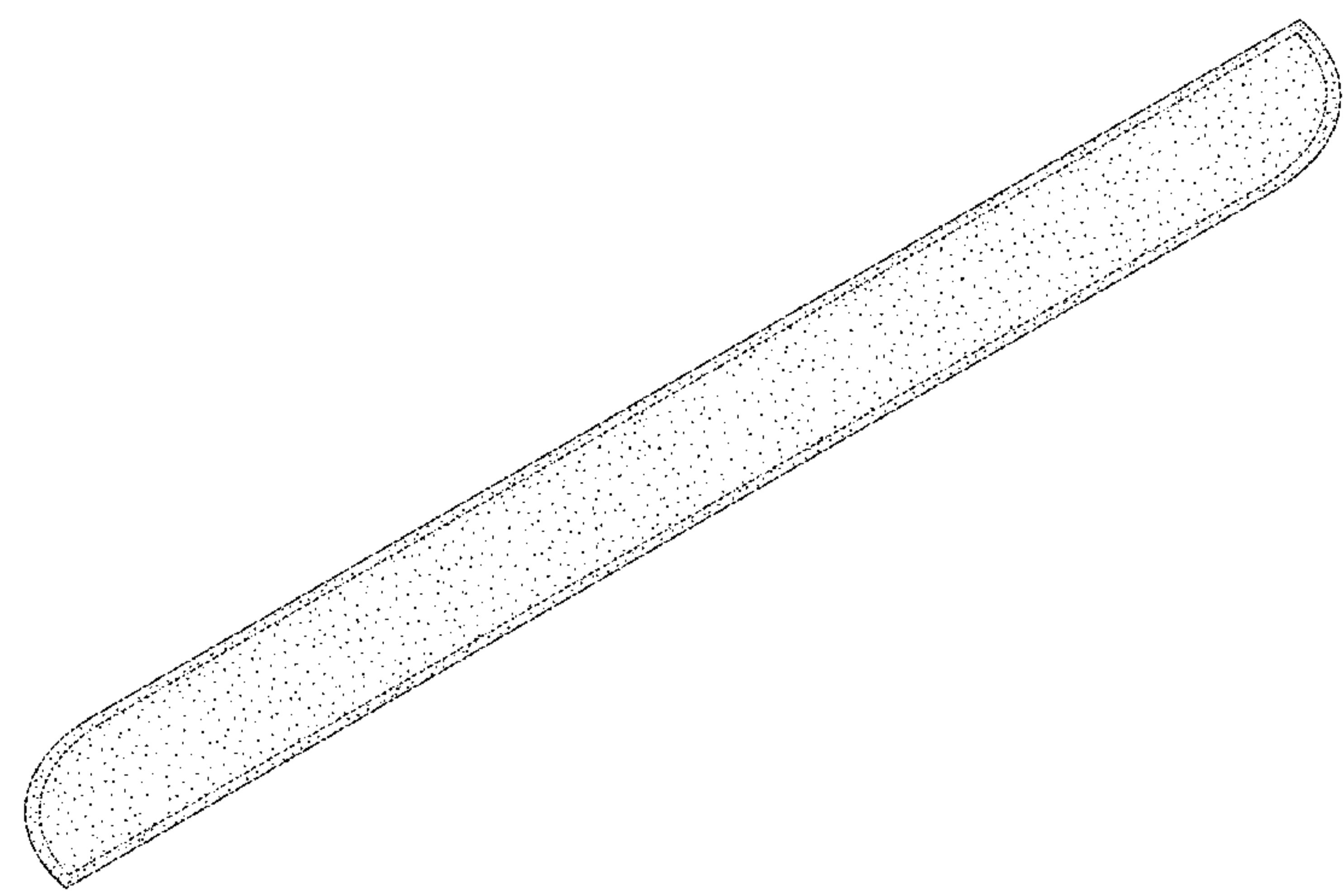
(Continued)

Primary Examiner — Kevin K Rudzinski
Assistant Examiner — Paul D Bohannon
(74) *Attorney, Agent, or Firm* — Lando & Anastasi, LLP

(57) **CLAIM**
The ornamental design for a barber neck strip, as shown and described.

DESCRIPTION
FIG. 1 is a perspective view of a barber neck strip design; FIG. 2 is a front view thereof; FIG. 3 is a back view thereof; FIG. 4 is a top view thereof; FIG. 5 is a bottom view thereof; FIG. 6 is a right side view thereof; FIG. 7 is a left side view thereof; and, FIG. 8 is a perspective view showing the barber neck strip in use.
The broken lines showing portions of the barber neck strip design in FIGS. 1-8 are for illustrative purposes only and form no part of the claimed design.

1 Claim, 4 Drawing Sheets



(56)

References Cited

U.S. PATENT DOCUMENTS

D720,519 S *	1/2015	Grant	D2/861
D727,596 S *	4/2015	Barber	D2/742
D749,818 S *	2/2016	Hou	D2/502
D750,349 S *	3/2016	Henry	D2/853
D750,351 S *	3/2016	Szalay	D2/860
D750,352 S *	3/2016	Szalay	D2/860
D750,353 S *	3/2016	Szalay	D2/860
D761,000 S *	7/2016	Lamarre	D2/860
D807,618 S *	1/2018	Cooper	D2/878
2013/0081212 A1 *	4/2013	Sanders	D06F 59/02 8/137
2015/0052658 A1 *	2/2015	Weiss	A41B 3/06 2/132
2015/0157057 A1 *	6/2015	Truong	A41B 3/06 2/256

* cited by examiner

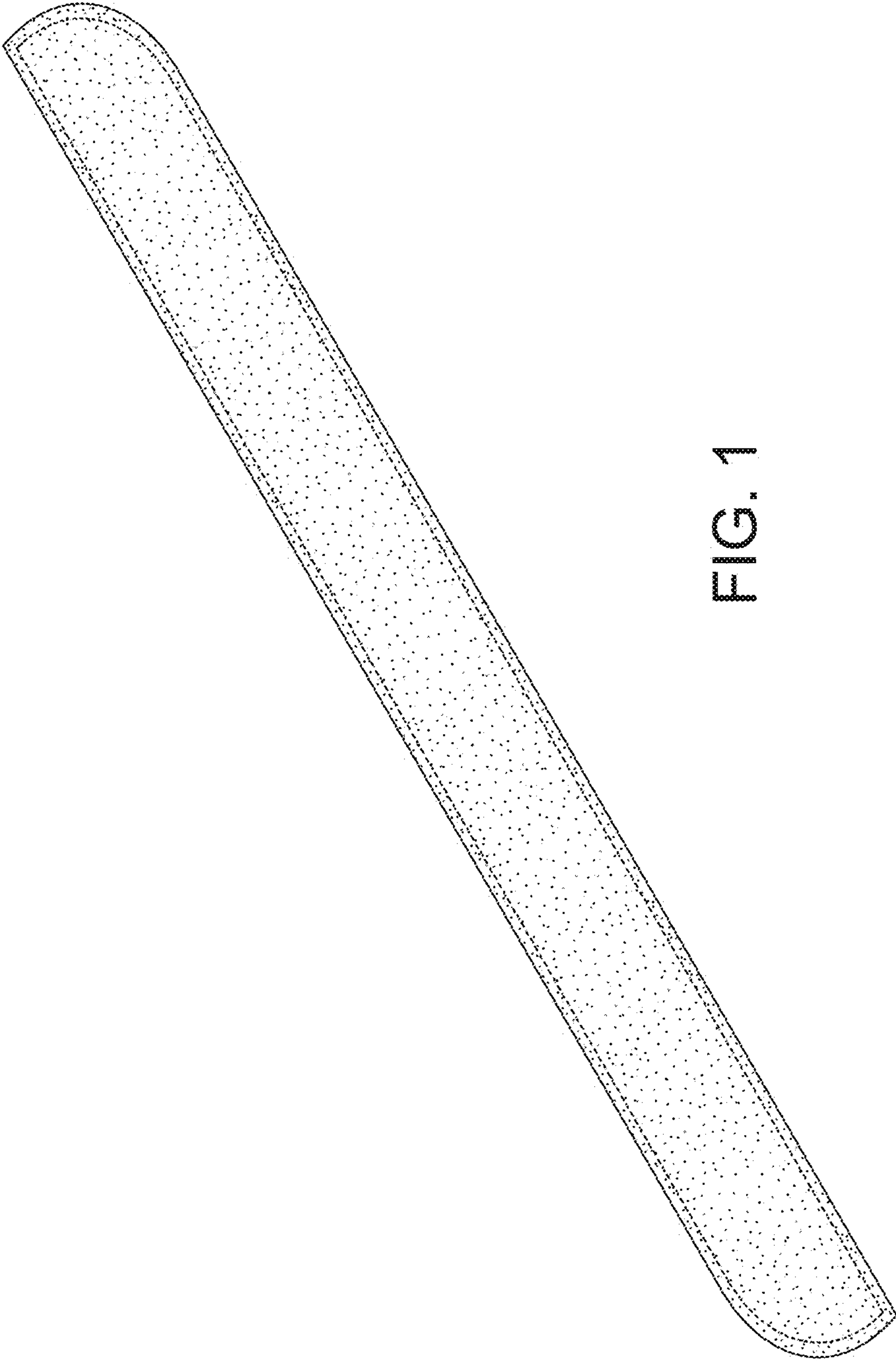


FIG. 1

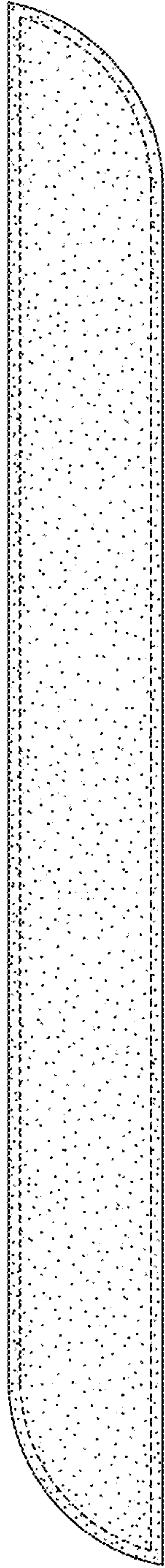


FIG. 2

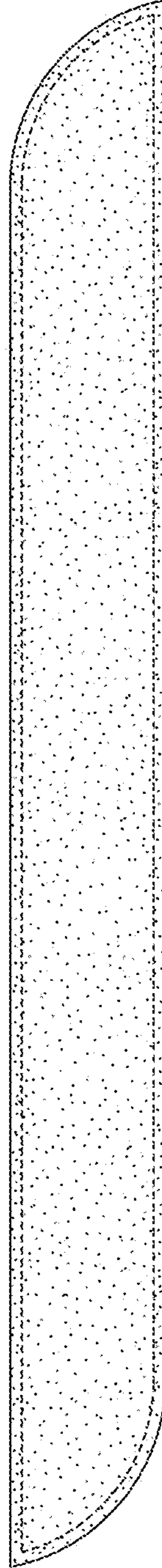


FIG. 3



FIG. 4



FIG. 5



FIG. 6

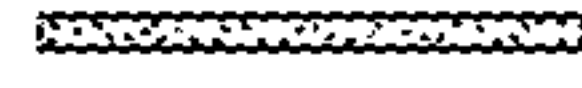


FIG. 7

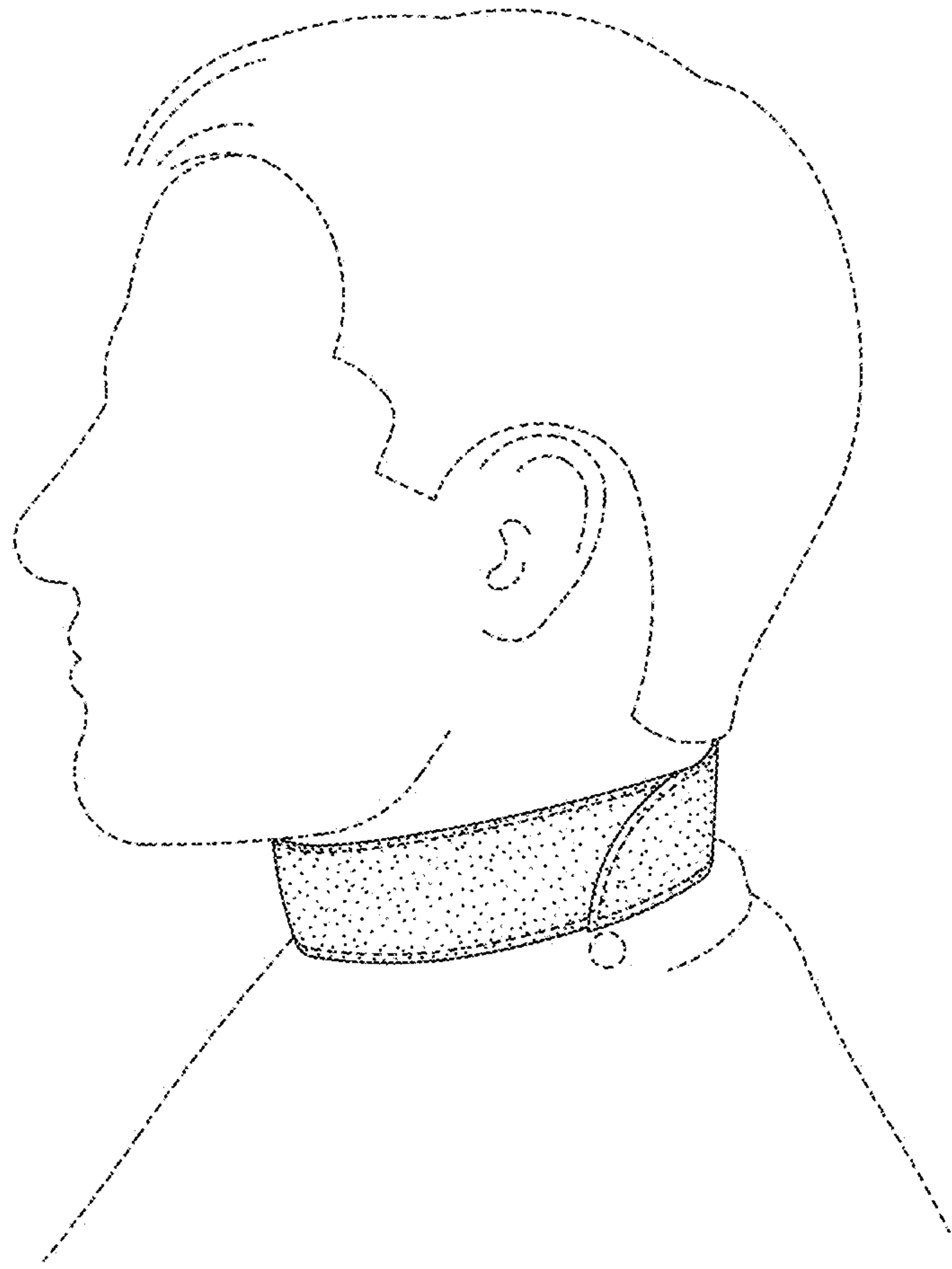


FIG. 8