



US00D829405S

(12) **United States Design Patent**
Gvasalia

(10) **Patent No.:** **US D829,405 S**
(45) **Date of Patent:** **** Oct. 2, 2018**

(54) **GARMENT COLLAR**
(71) Applicant: **BALENCIAGA**, Paris (FR)
(72) Inventor: **Demna Gvasalia**, Paris (FR)
(73) Assignee: **BALENCIAGA**, Paris (FR)
(**) Term: **15 Years**

(21) Appl. No.: **29/640,421**
(22) Filed: **Mar. 14, 2018**

Related U.S. Application Data

(62) Division of application No. 29/607,194, filed on Jun. 12, 2017.

(30) **Foreign Application Priority Data**

Jan. 26, 2017 (CN) 2017 3 0031012
Jan. 26, 2017 (CN) 2017 3 0031013

(51) **LOC (11) Cl.** **02-01**
(52) **U.S. Cl.**
USPC **D2/602; D2/840**

(58) **Field of Classification Search**
USPC D2/600, 602, 605, 717, 720, 724, 725,
D2/739, 828, 829, 834, 840, 841, 842,
D2/845, 847, 849, 853, 854, 858
CPC A41B 1/00; A41B 1/06; A41B 1/08; A41B
9/06; A41D 1/02; A41D 1/04; A41D
1/18; A41D 13/0015
See application file for complete search history.

(56) **References Cited**

U.S. PATENT DOCUMENTS

D59,711 S * 11/1921 Charles 2/129
2,237,818 A * 4/1941 Grunbaum A41B 1/00
2/128

D135,710 S * 5/1943 Cookman D2/834
D165,106 S * 11/1951 Orloff D2/849
D168,859 S * 2/1953 Ruskay 2/115
D236,242 S * 8/1975 Froehlich D2/602
D428,548 S * 7/2000 Hosogai D2/828
D432,288 S * 10/2000 Davis D2/602
2011/0271419 A1* 11/2011 Vereen A41D 13/0518
2/69

* cited by examiner

Primary Examiner — Karen S Acker

Assistant Examiner — Jasmine Mlinarcik

(74) *Attorney, Agent, or Firm* — Donald J. Ranft; Collen

(57) **CLAIM**

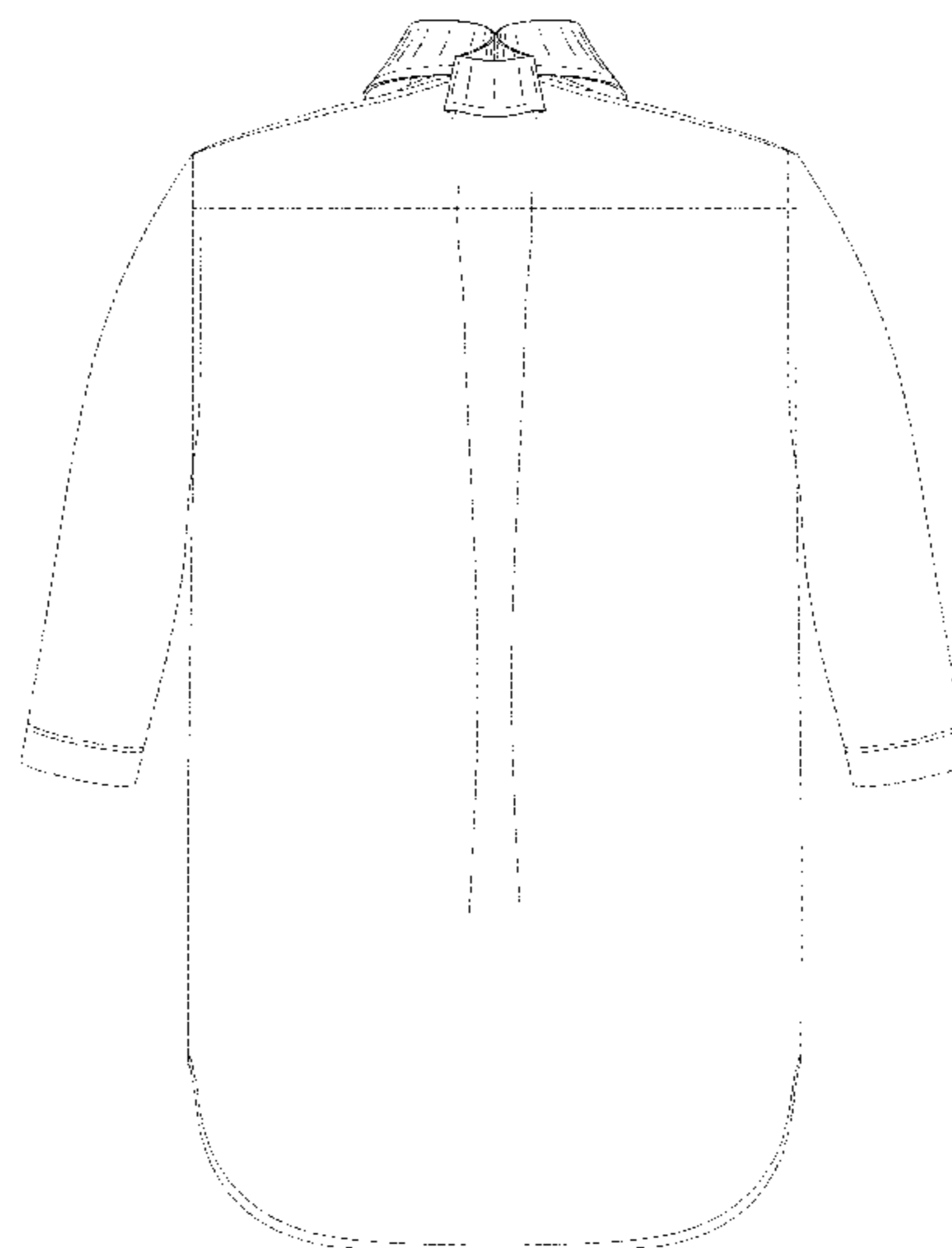
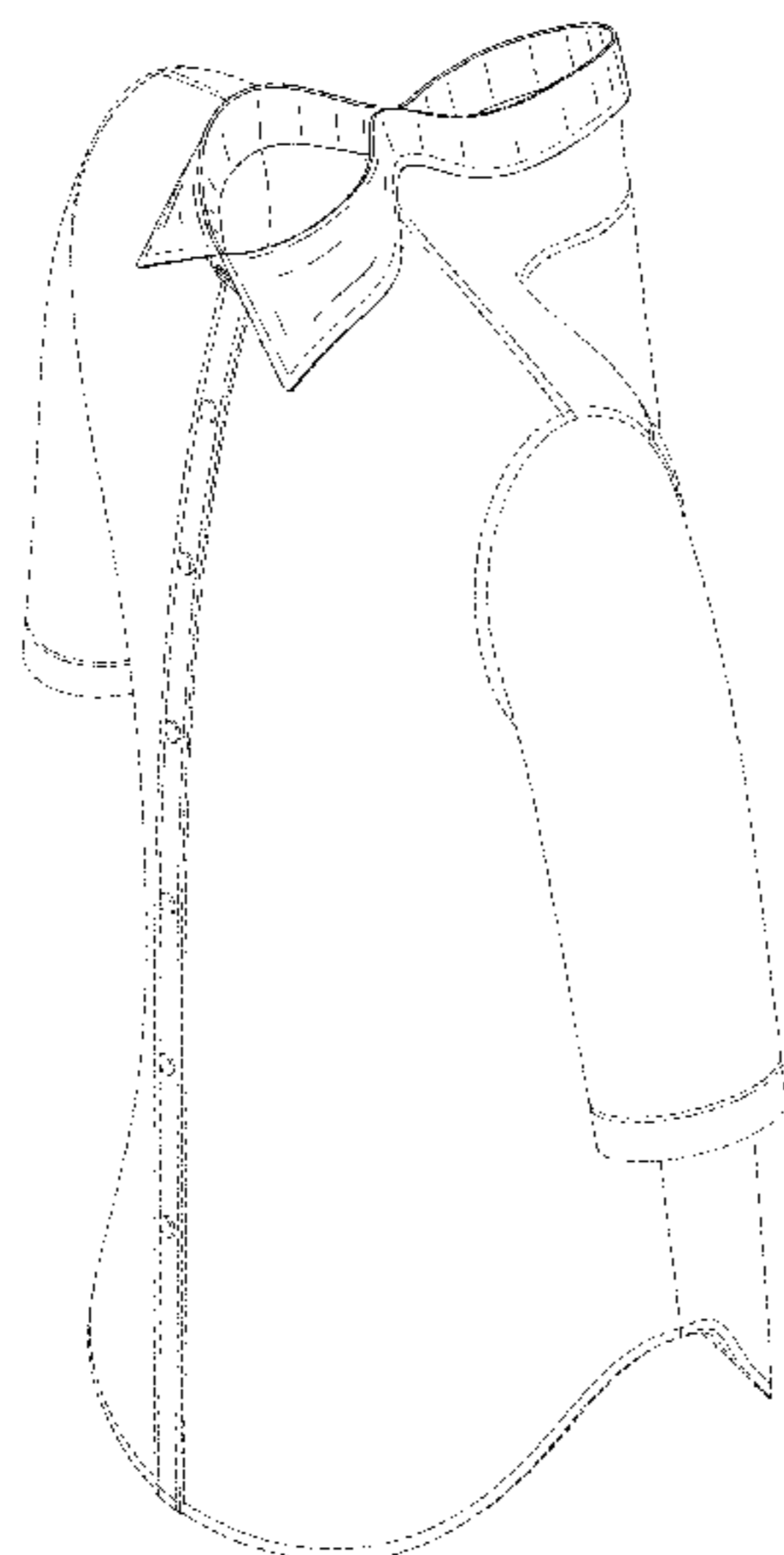
The ornamental design for a garment collar, as shown and described.

DESCRIPTION

FIG. 1 is a buttoned front left perspective view of a garment collar showing my new design;
FIG. 2 is a rear right perspective view thereof;
FIG. 3 is a front view thereof;
FIG. 4 is a rear view thereof;
FIG. 5 is a left side view thereof;
FIG. 6 is a right side view thereof;
FIG. 7 is a top view thereof;
FIG. 8 is a bottom view thereof;
FIG. 9 is an unbuttoned rear right perspective view thereof;
FIG. 10 is a front view thereof.
FIG. 11 is a left side view thereof;
FIG. 12 is a right side view thereof; and,
FIG. 13 is a top view thereof.

The garment, shown in broken lines, is environment included to show the garment collar in positions of use and forms no part of the claimed design.

1 Claim, 12 Drawing Sheets



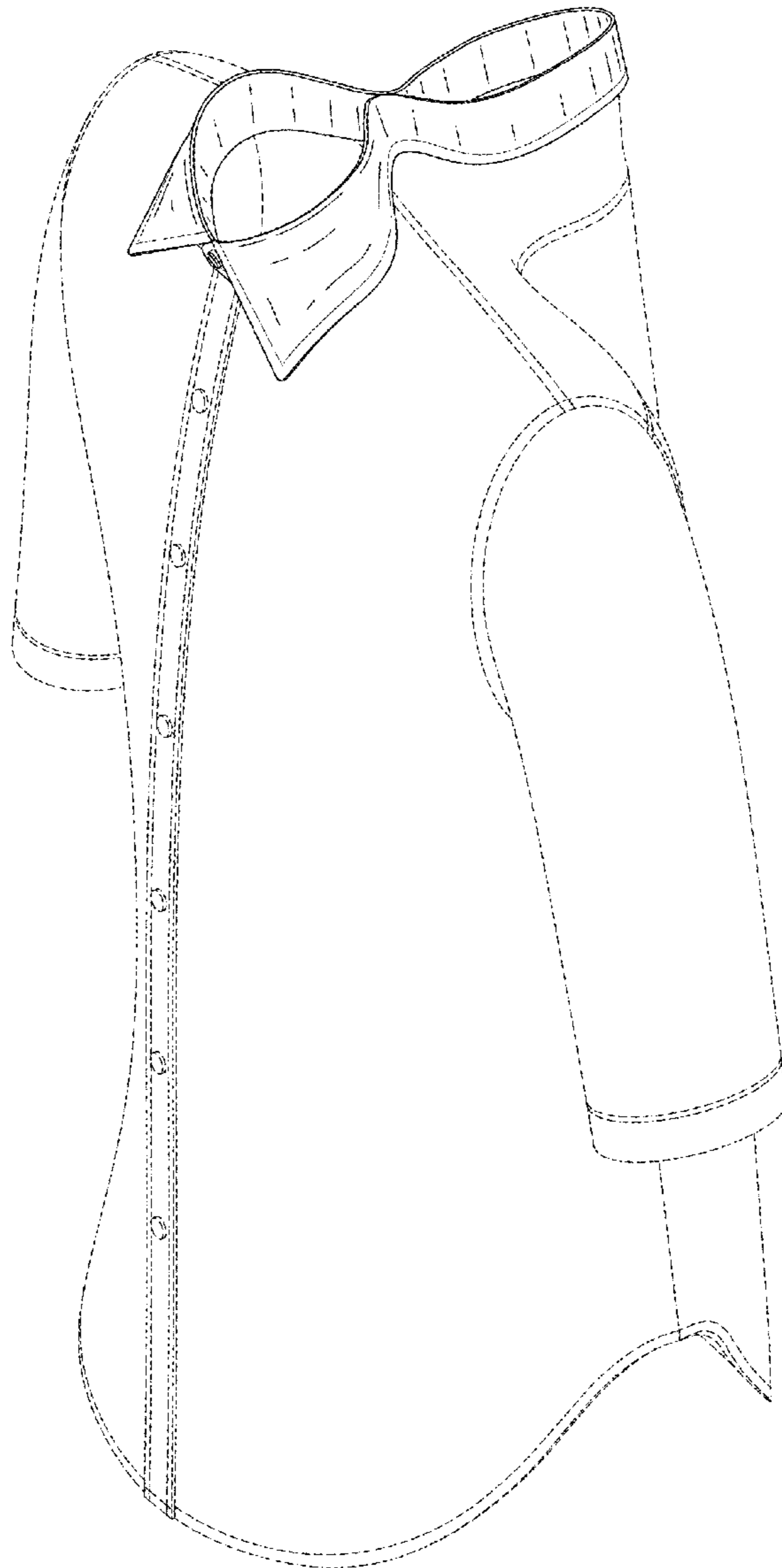


FIGURE 1

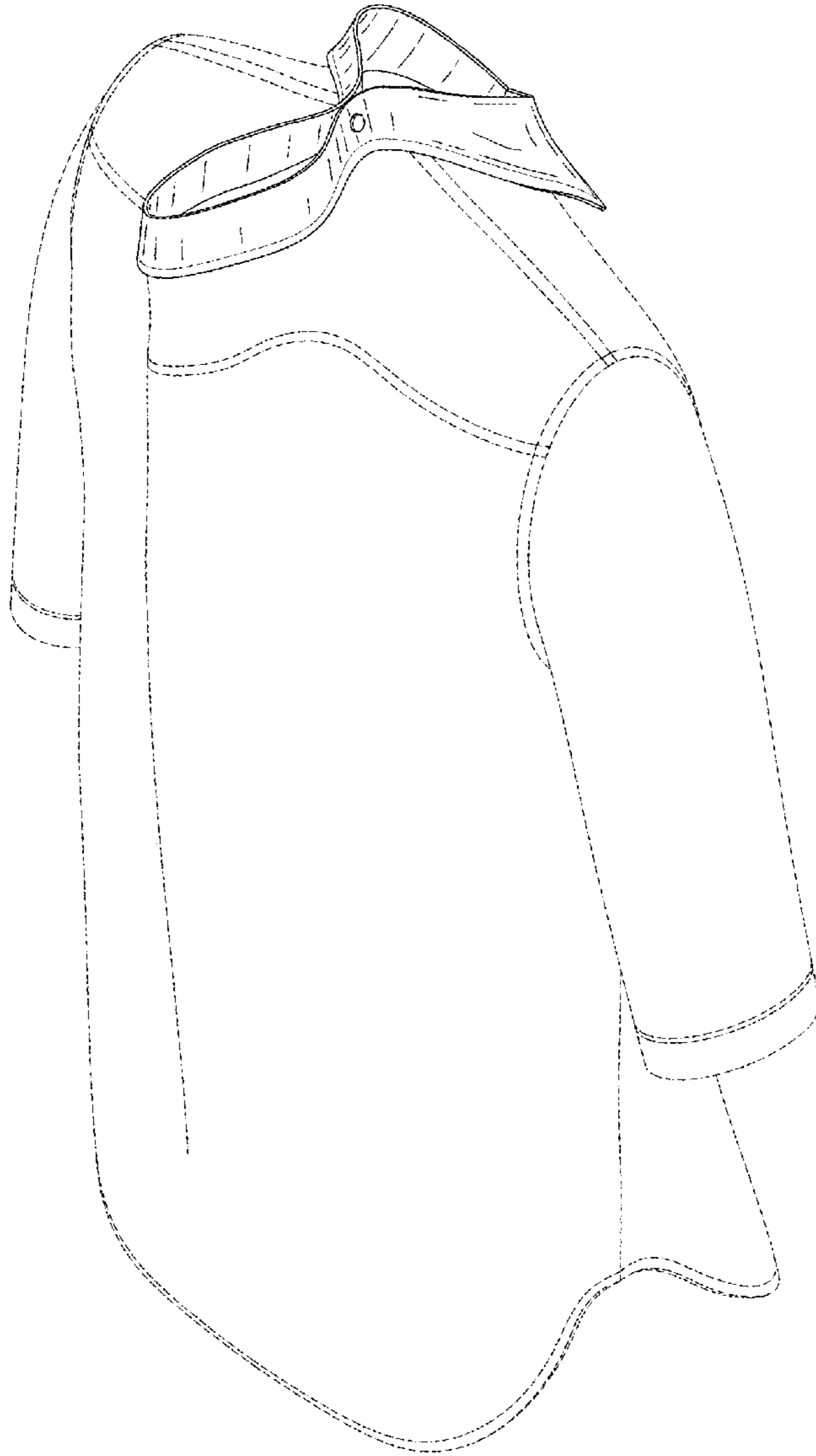


FIGURE 2



FIGURE 3

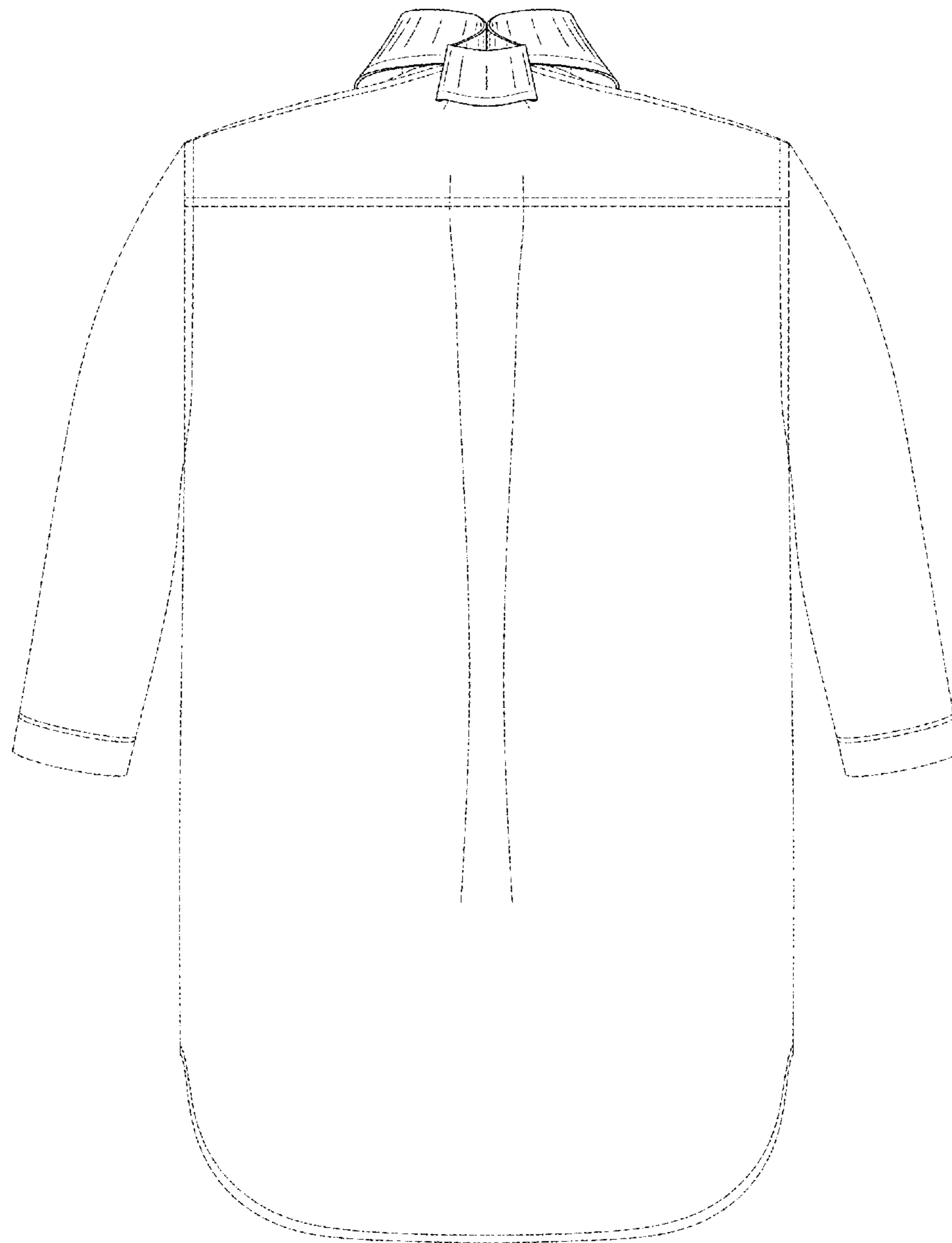


FIGURE 4

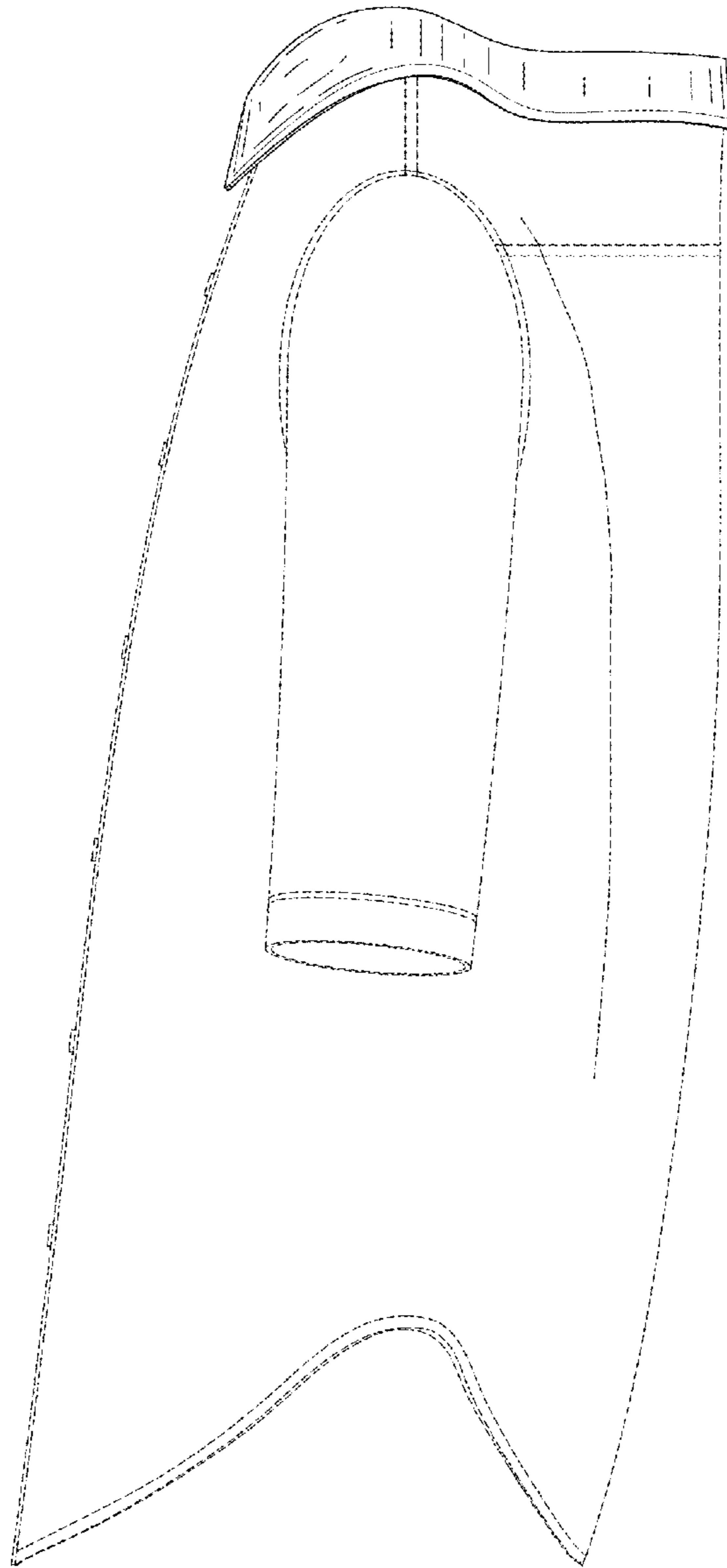


FIGURE 5

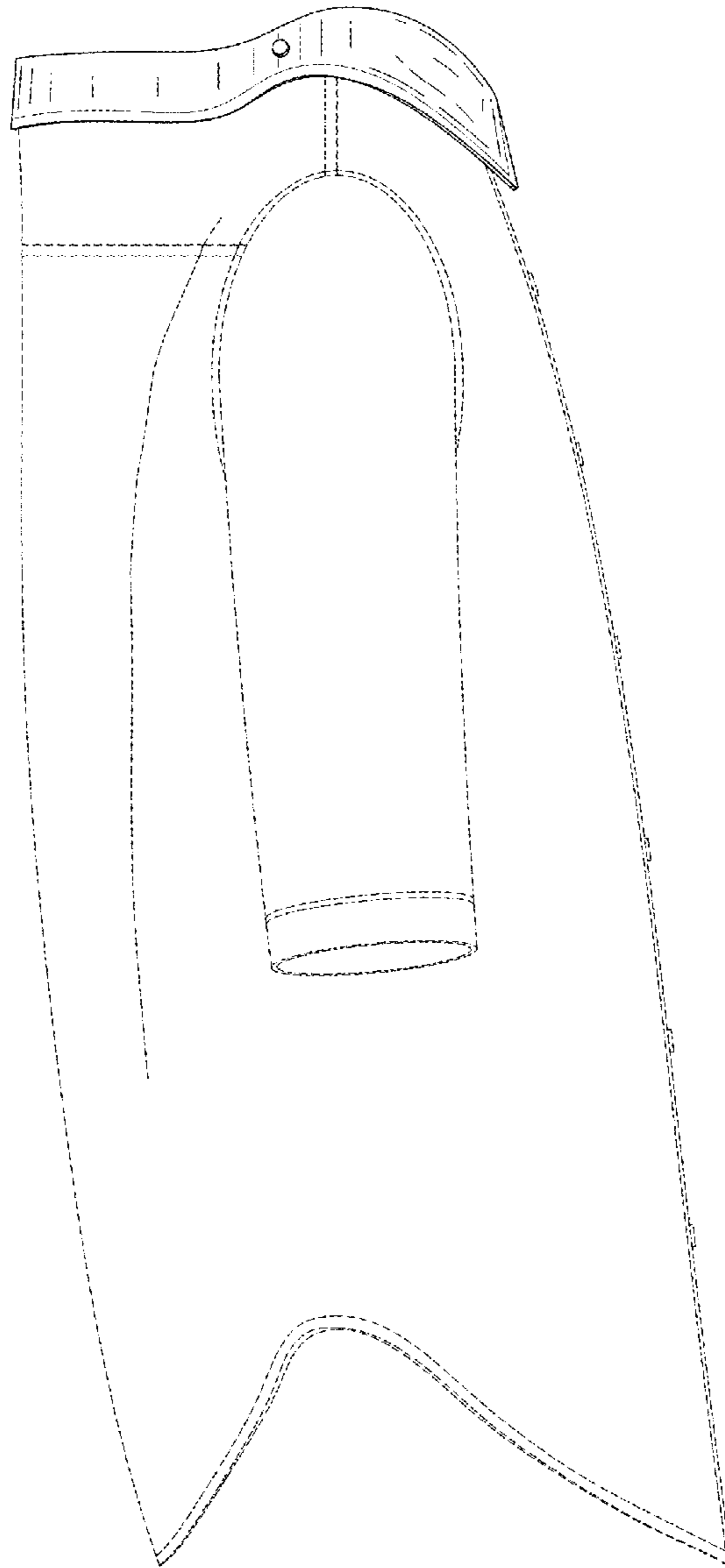


FIGURE 6

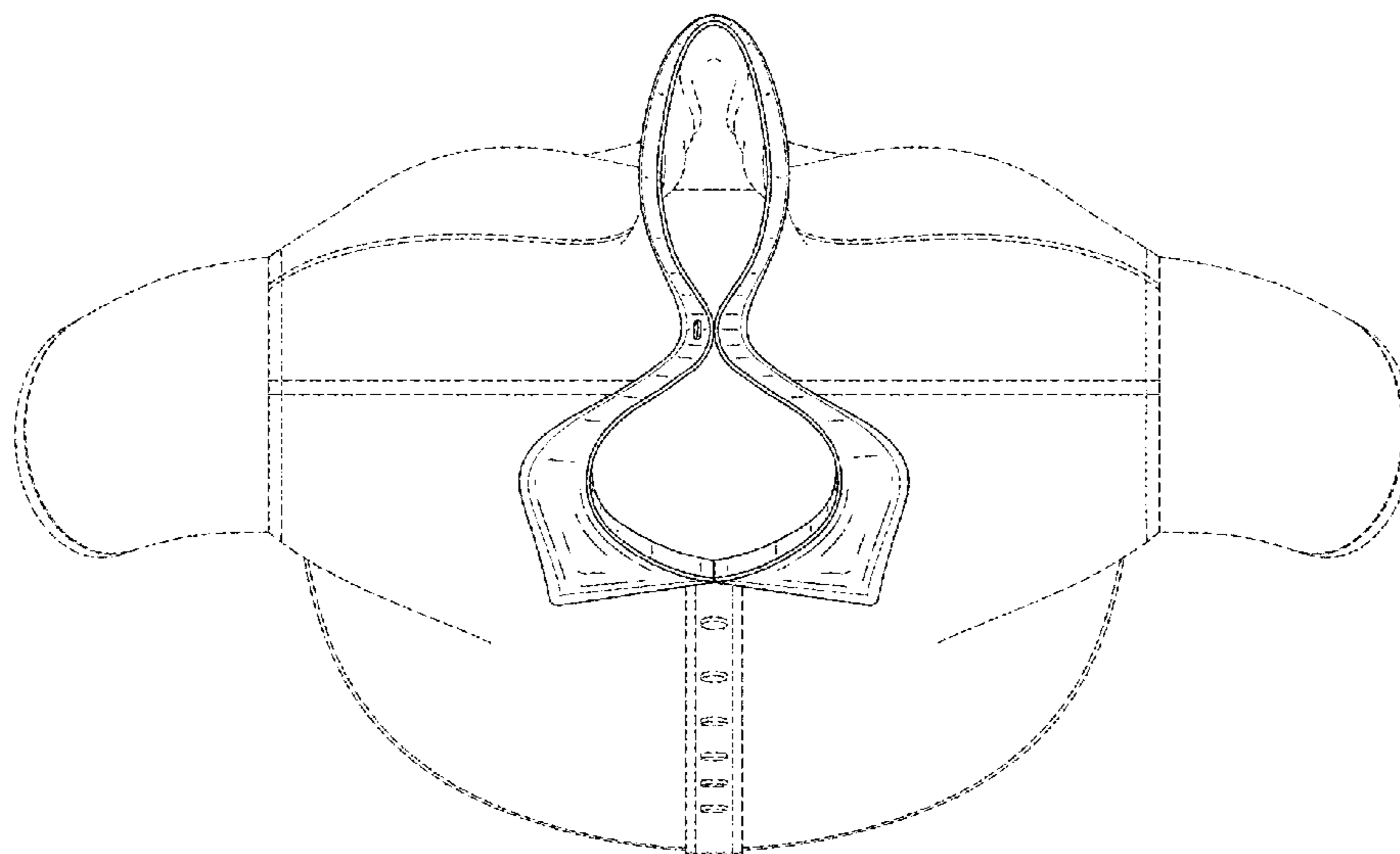


FIGURE 7

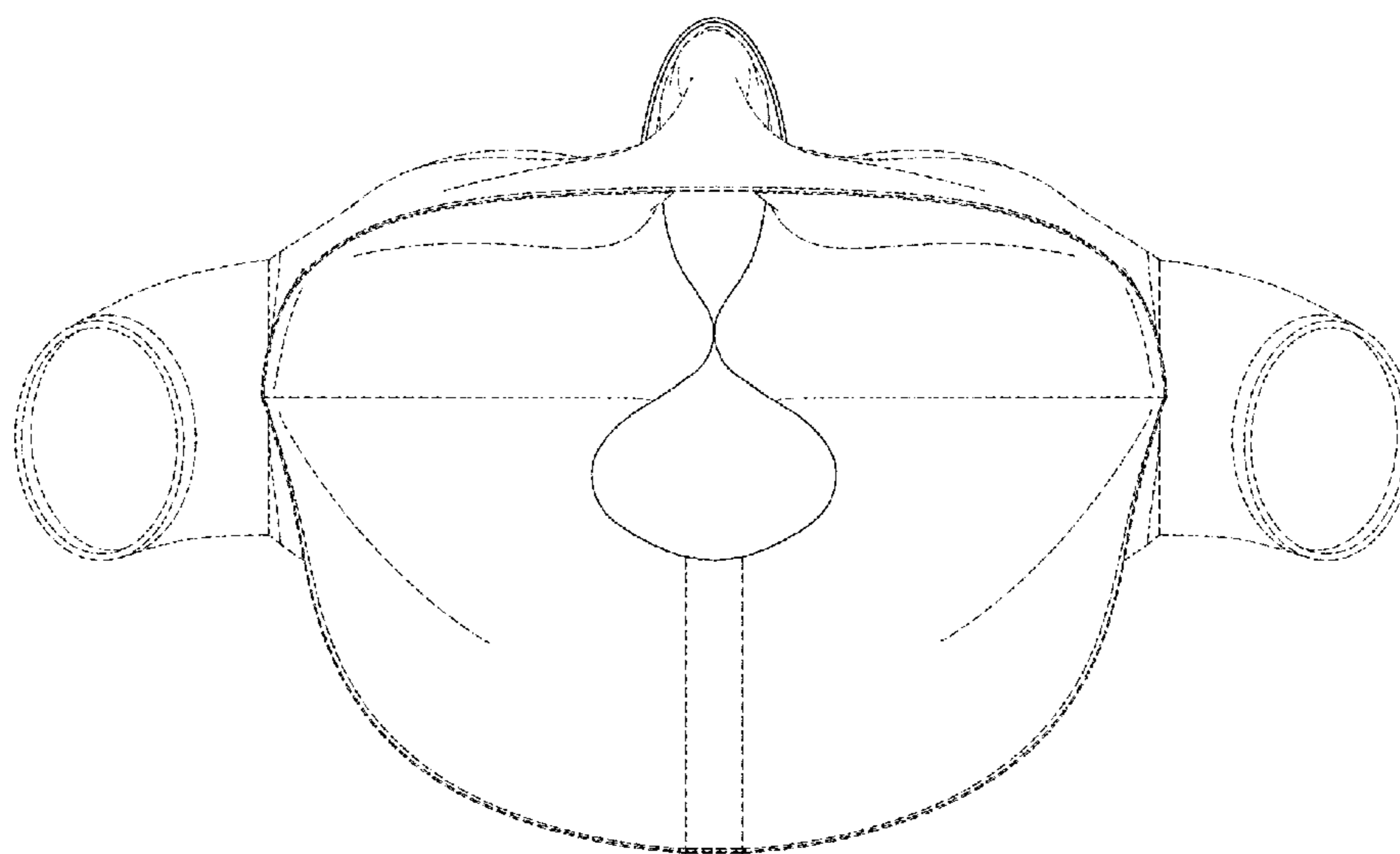


FIGURE 8

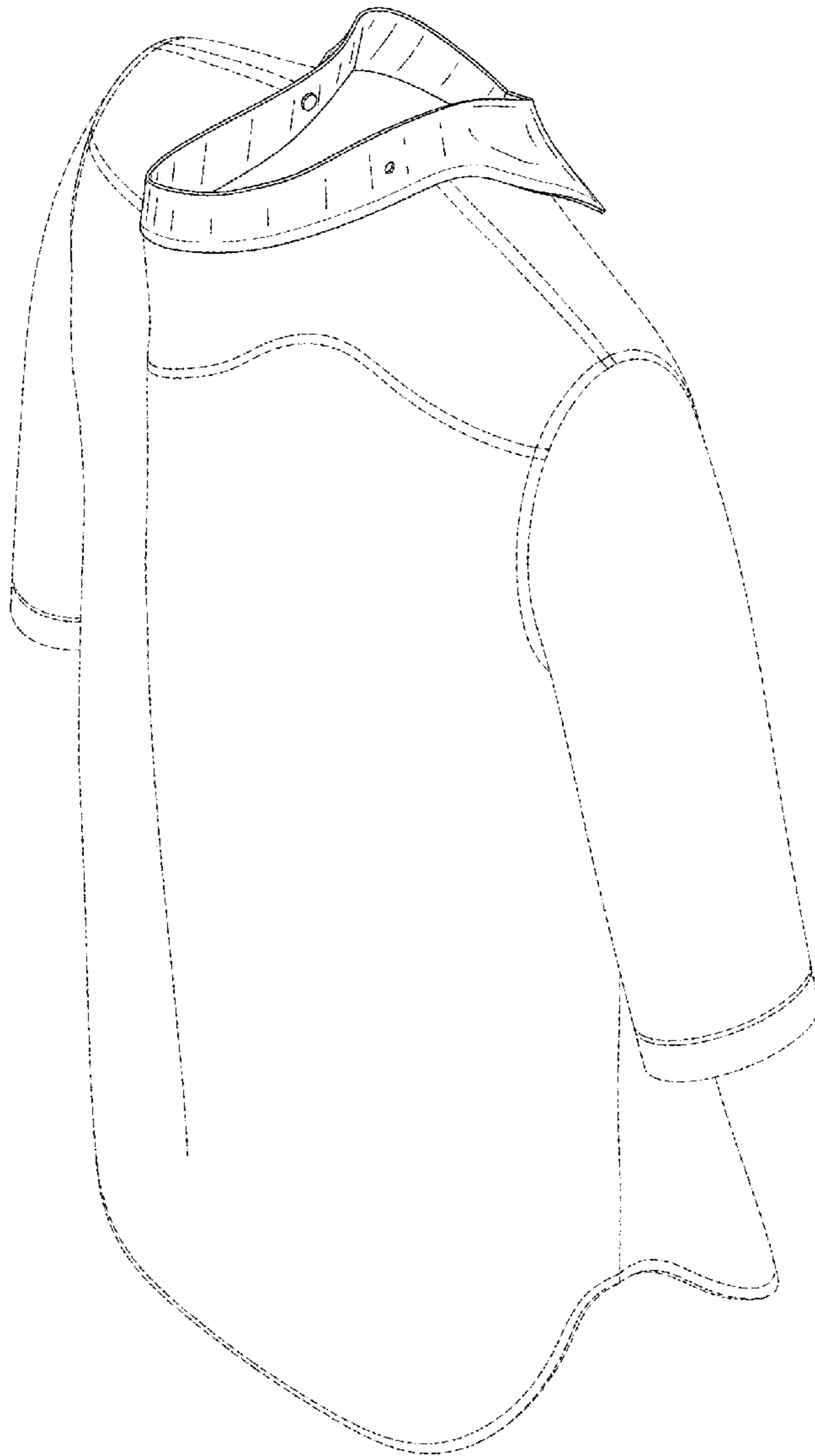


FIGURE 9



FIGURE 10

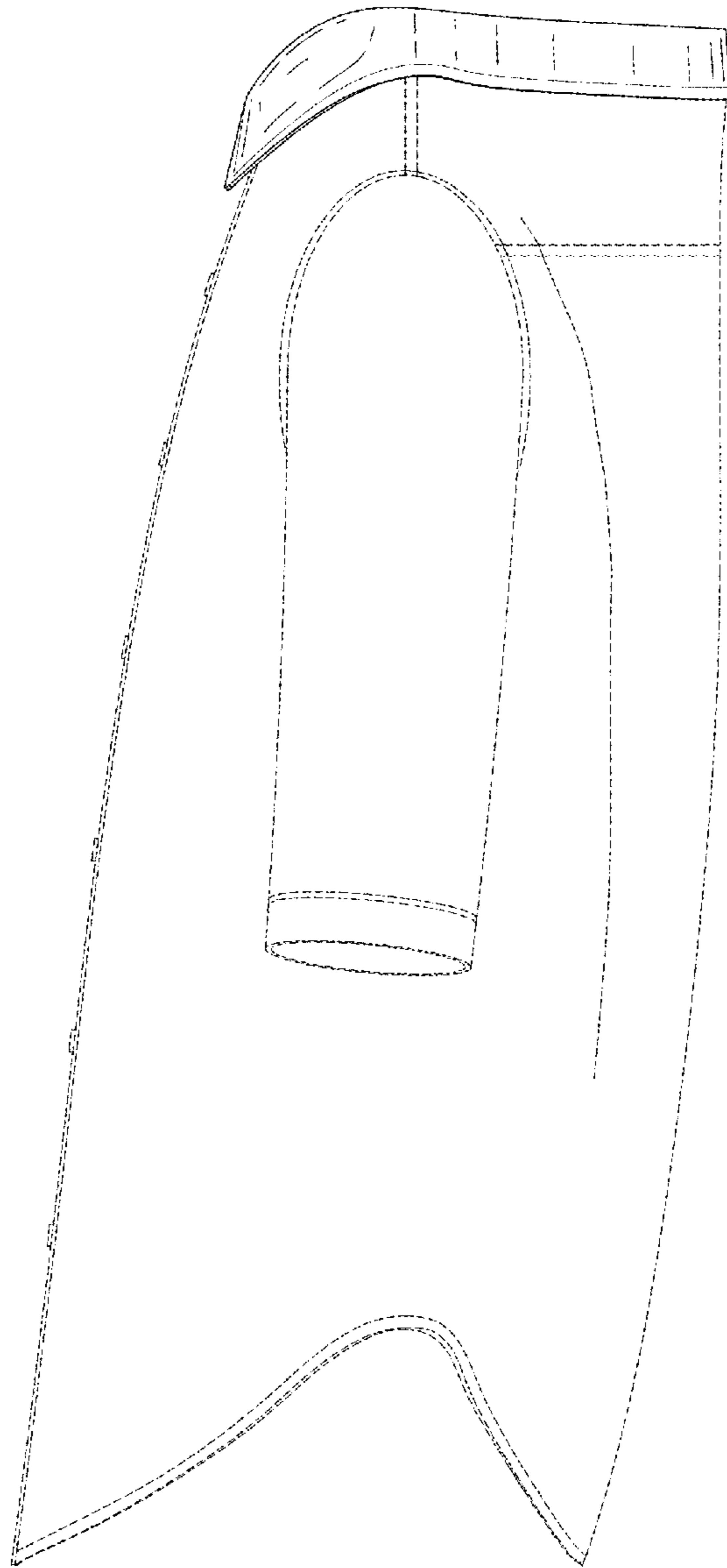


FIGURE 11

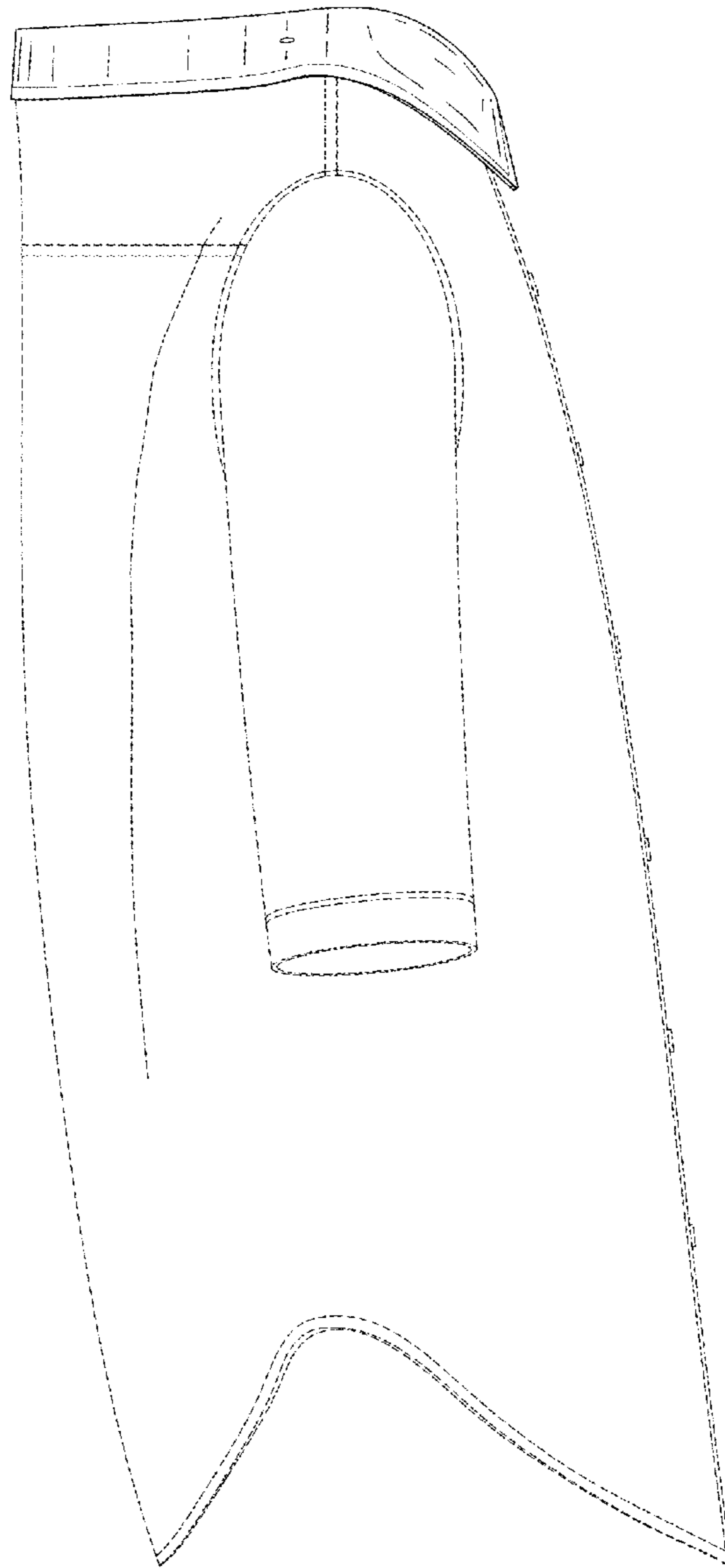


FIGURE 12

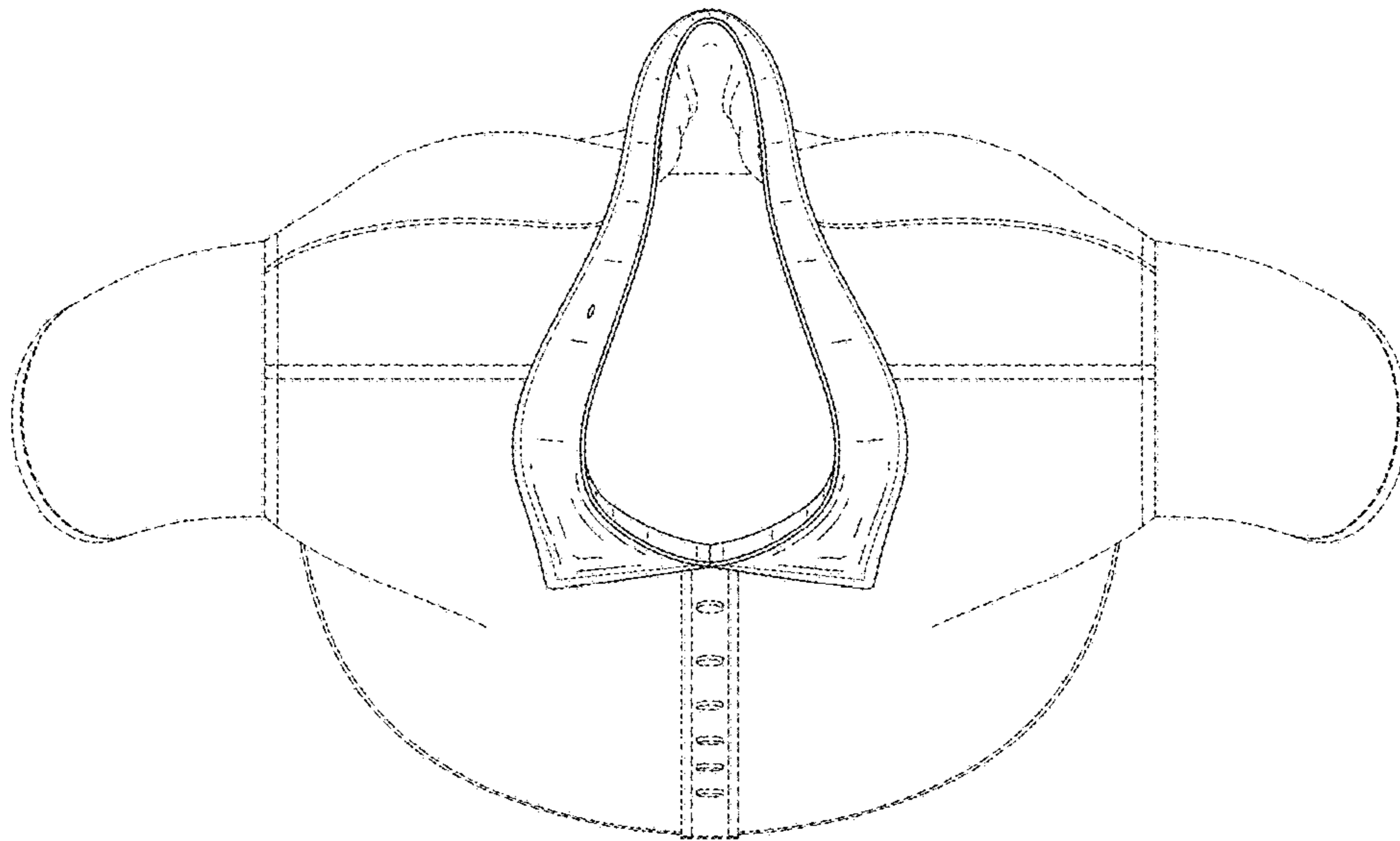


FIGURE 13