



US00D829403S

(12) **United States Design Patent**
Lehmann

(10) **Patent No.:** **US D829,403 S**

(45) **Date of Patent:** **** Sep. 25, 2018**

(54) **LIFT TRUCK**

(71) Applicant: **MANITOU BF (Societe Anonyme),**
Ancenis (FR)

(72) Inventor: **Thierry Lehmann, Nantes (FR)**

(73) Assignee: **MANITOU BF (Societe Anonyme),**
Ancenis (FR)

(**) Term: **15 Years**

(21) Appl. No.: **29/571,805**

(22) Filed: **Jul. 21, 2016**

(51) **LOC (11) Cl.** **12-05**

(52) **U.S. Cl.**
USPC **D34/34**

(58) **Field of Classification Search**
USPC D34/34, 37; D15/23-28, 29-33;
187/222, 237, 238; 414/592, 631
CPC B60P 1/483; B66F 9/06; B66F 9/12; B66F
9/0755; B66F 9/07572; B66F 17/003
See application file for complete search history.

(56) **References Cited**

U.S. PATENT DOCUMENTS

D470,990 S * 2/2003 Han D34/34
D584,024 S * 12/2008 Stark D34/34

D584,873 S * 1/2009 Kuraoka D34/34
D601,325 S * 9/2009 Tanaka D34/34
D731,736 S * 6/2015 Kurihara D34/34
D731,737 S * 6/2015 Seimiya D34/34
D756,059 S * 5/2016 Kang D34/34
D790,148 S * 6/2017 Kang D34/34
D790,149 S * 6/2017 Kang D34/34
2017/0217304 A1* 8/2017 Kawazoe B60K 13/04
2017/0217305 A1* 8/2017 Kawazoe B60K 11/04

* cited by examiner

Primary Examiner — Mark Goodwin

(74) *Attorney, Agent, or Firm* — Ipsilon USA, LLC

(57) **CLAIM**

The ornamental design for a lift truck, as shown and described.

DESCRIPTION

FIG. 1 is a front elevation view of the lift truck showing my new design;

FIG. 2 is a back elevation view of the design as shown in FIG. 1;

FIG. 3 is a left side view of the design as shown in FIG. 1;

FIG. 4 is a right side view of the design as shown in FIG. 1;

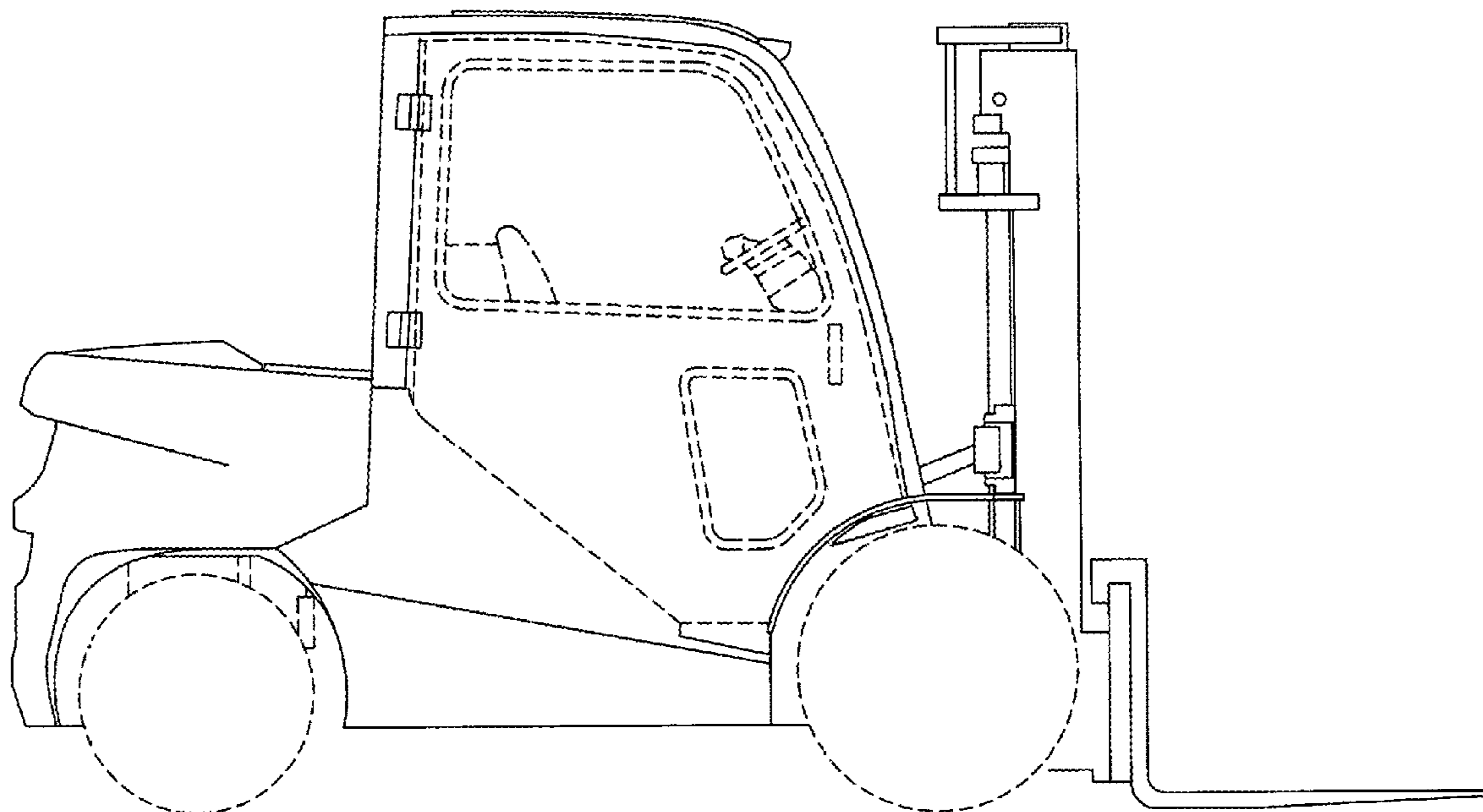
FIG. 5 is a top plan view of the design as shown in FIG. 1;

FIG. 6 is a bottom plan view of the design as shown in FIG. 1; and,

FIG. 7 is a perspective view of the design as shown in FIG. 1.

1.

1 Claim, 7 Drawing Sheets



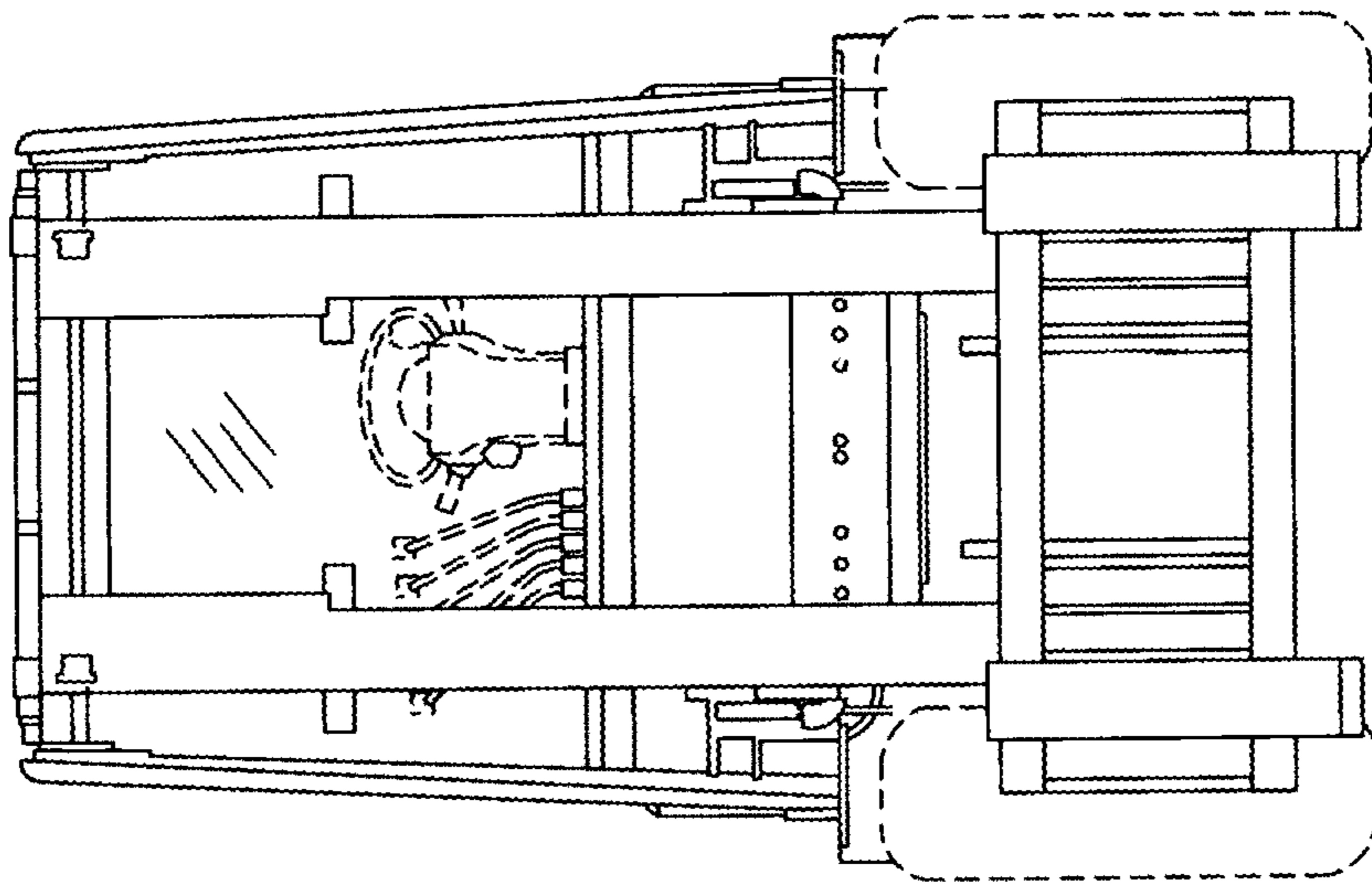


FIG. 1

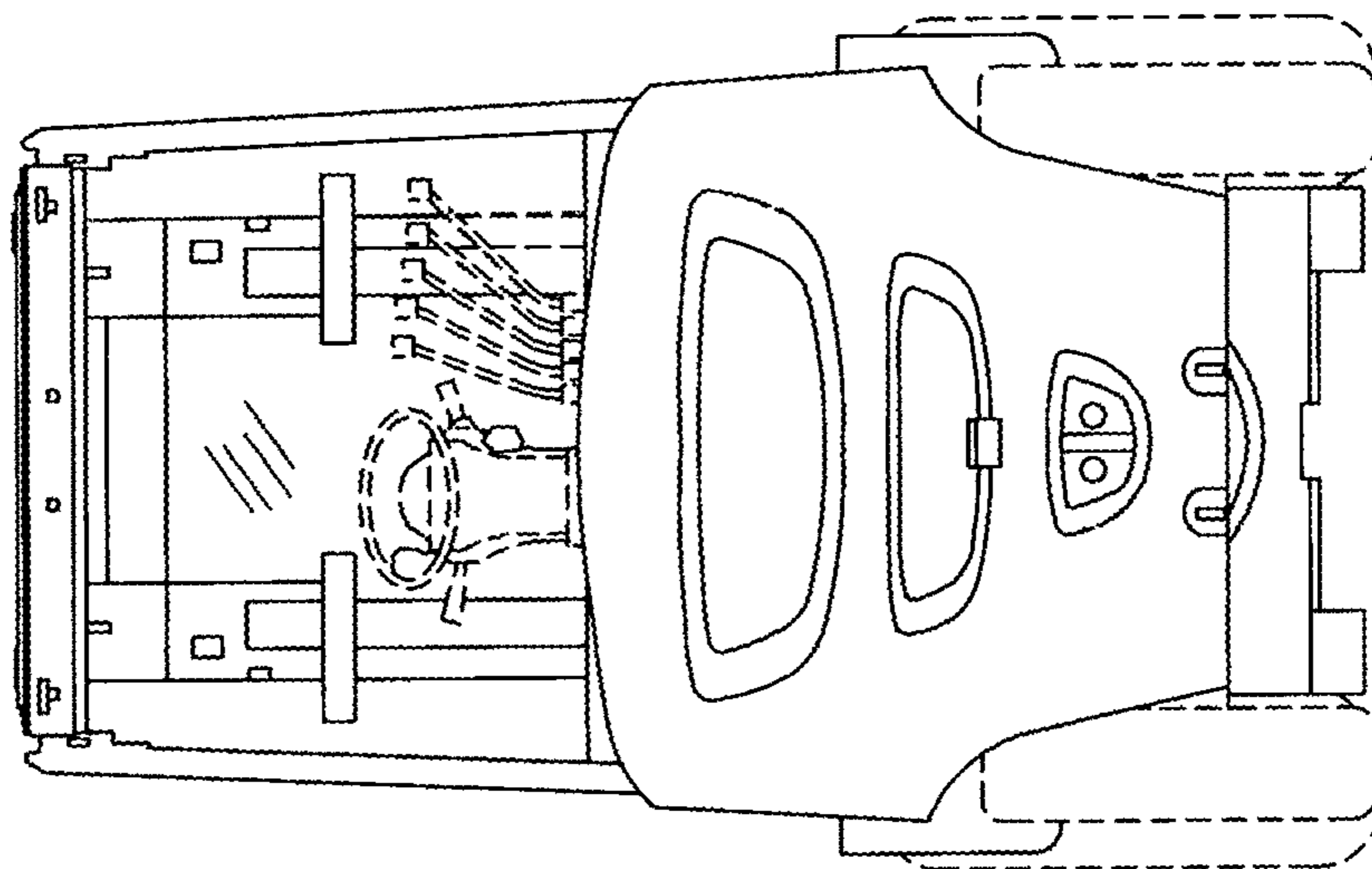


FIG. 2

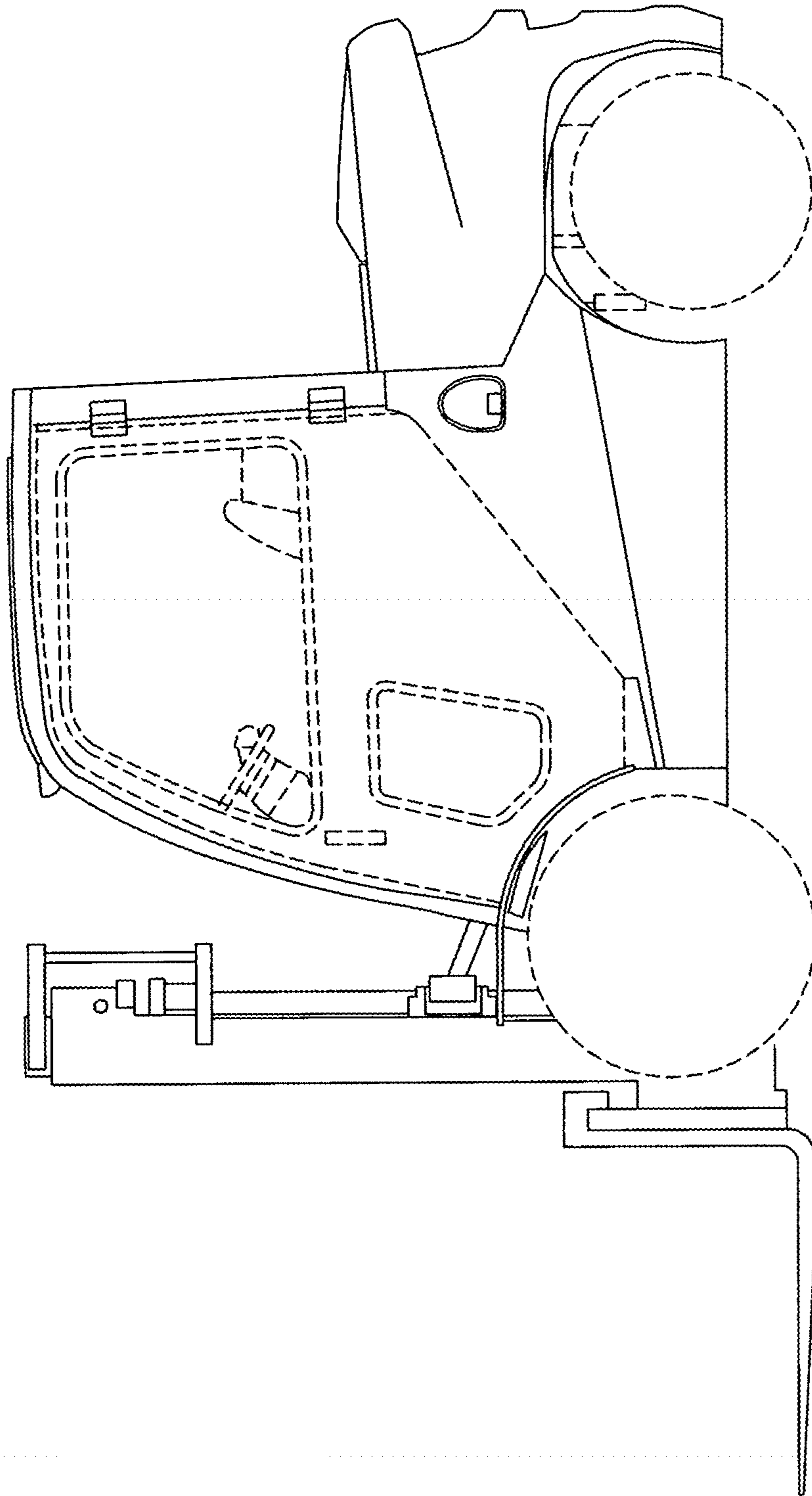


FIG. 3

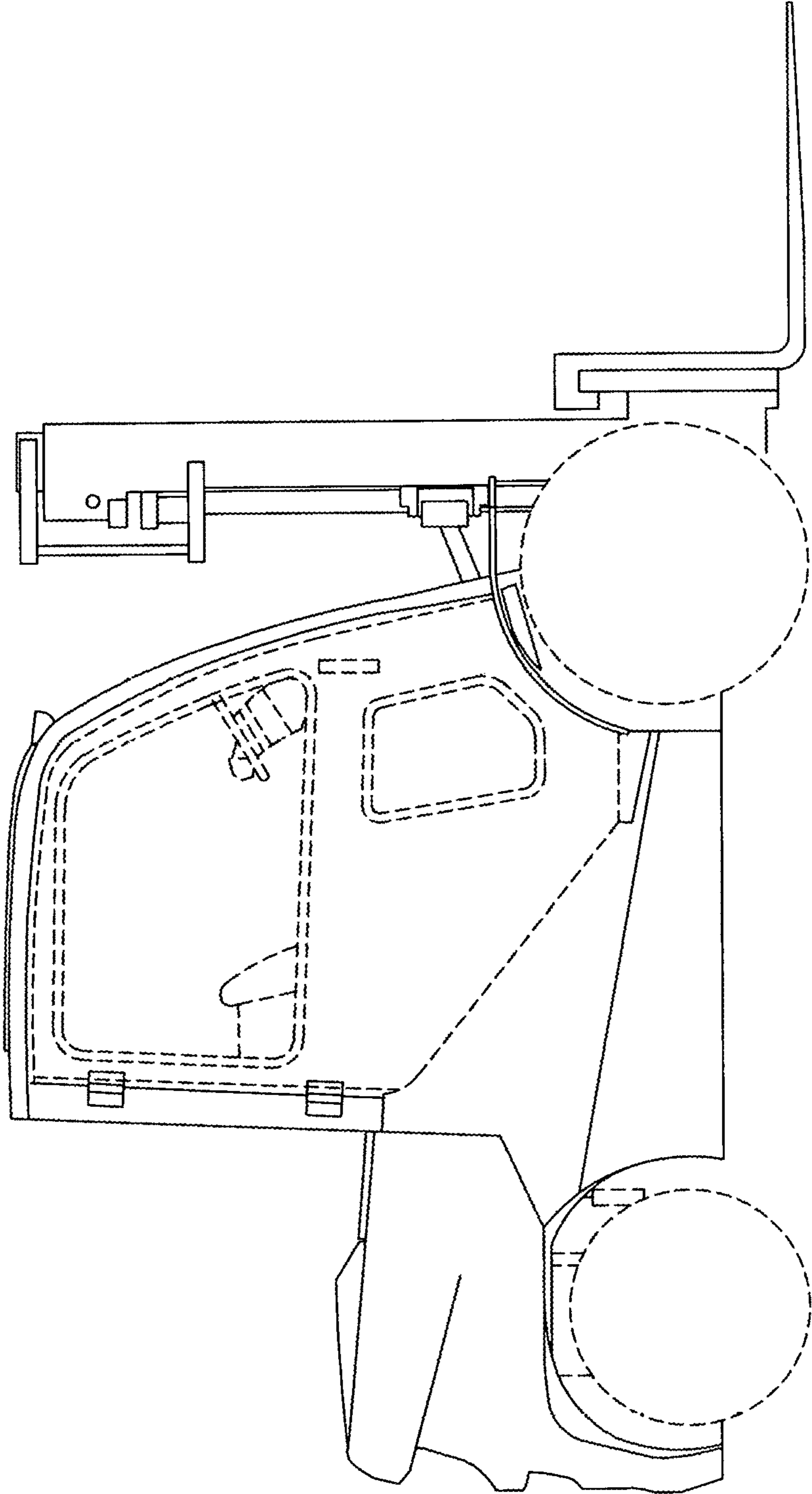


FIG. 4

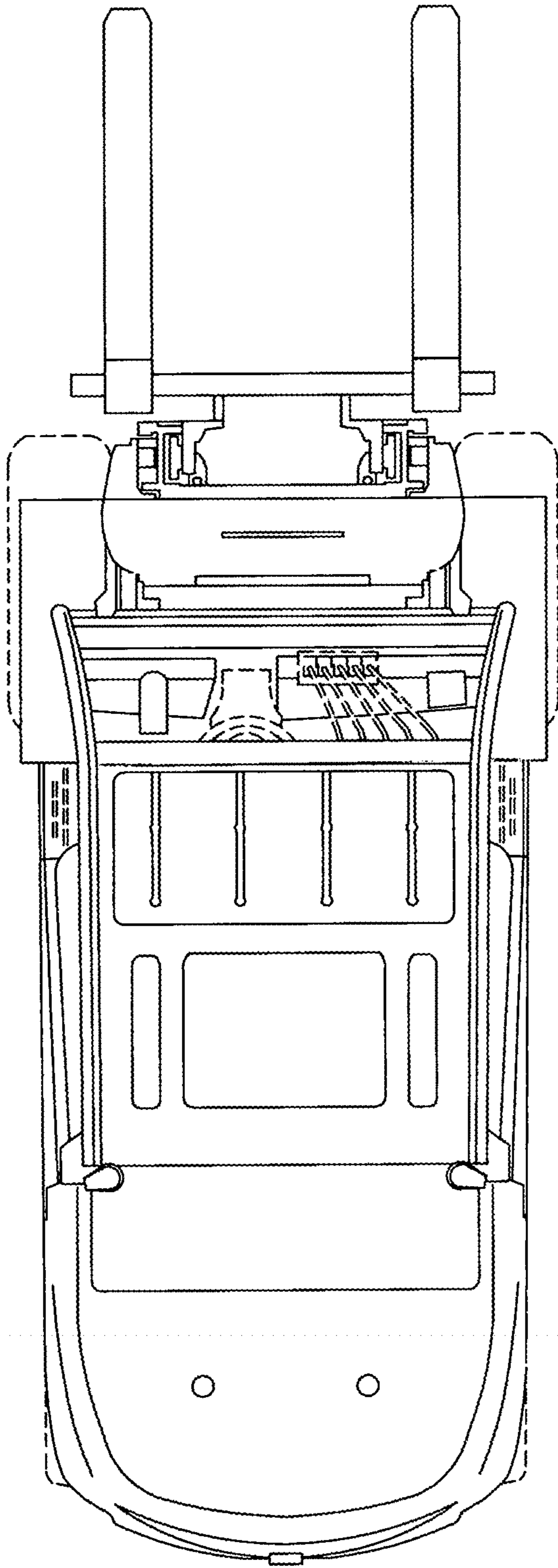


FIG. 5

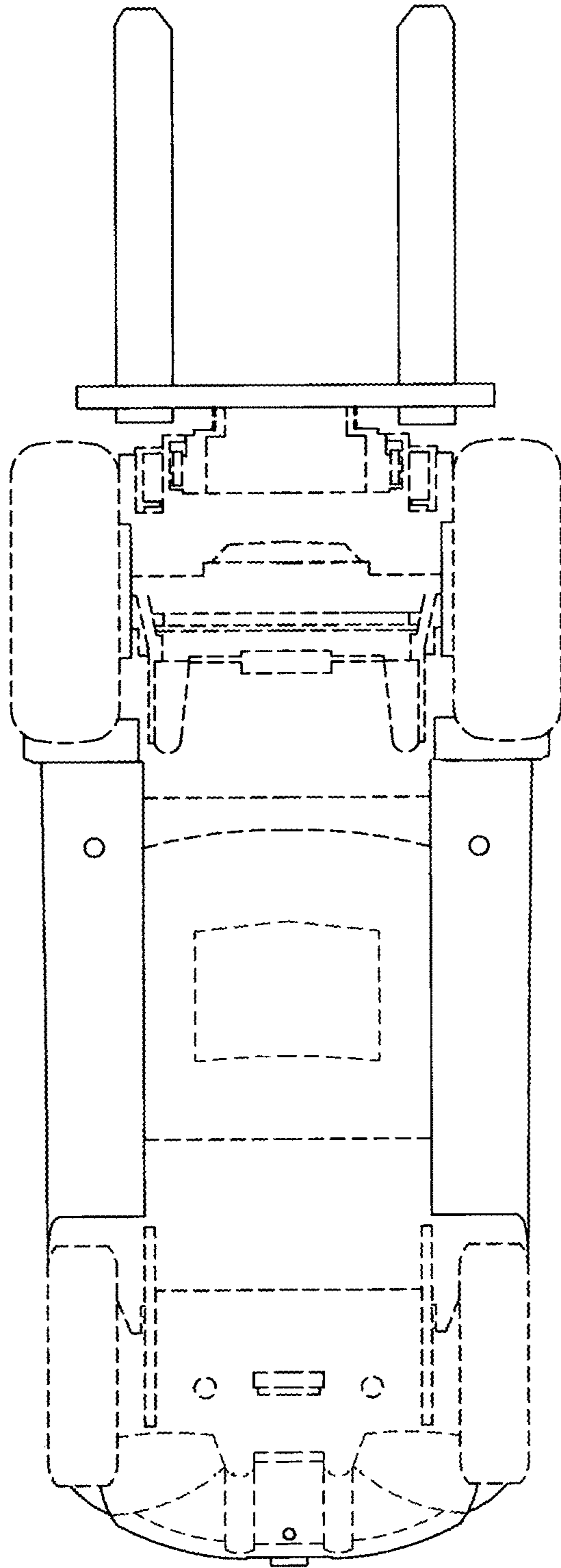


FIG. 6

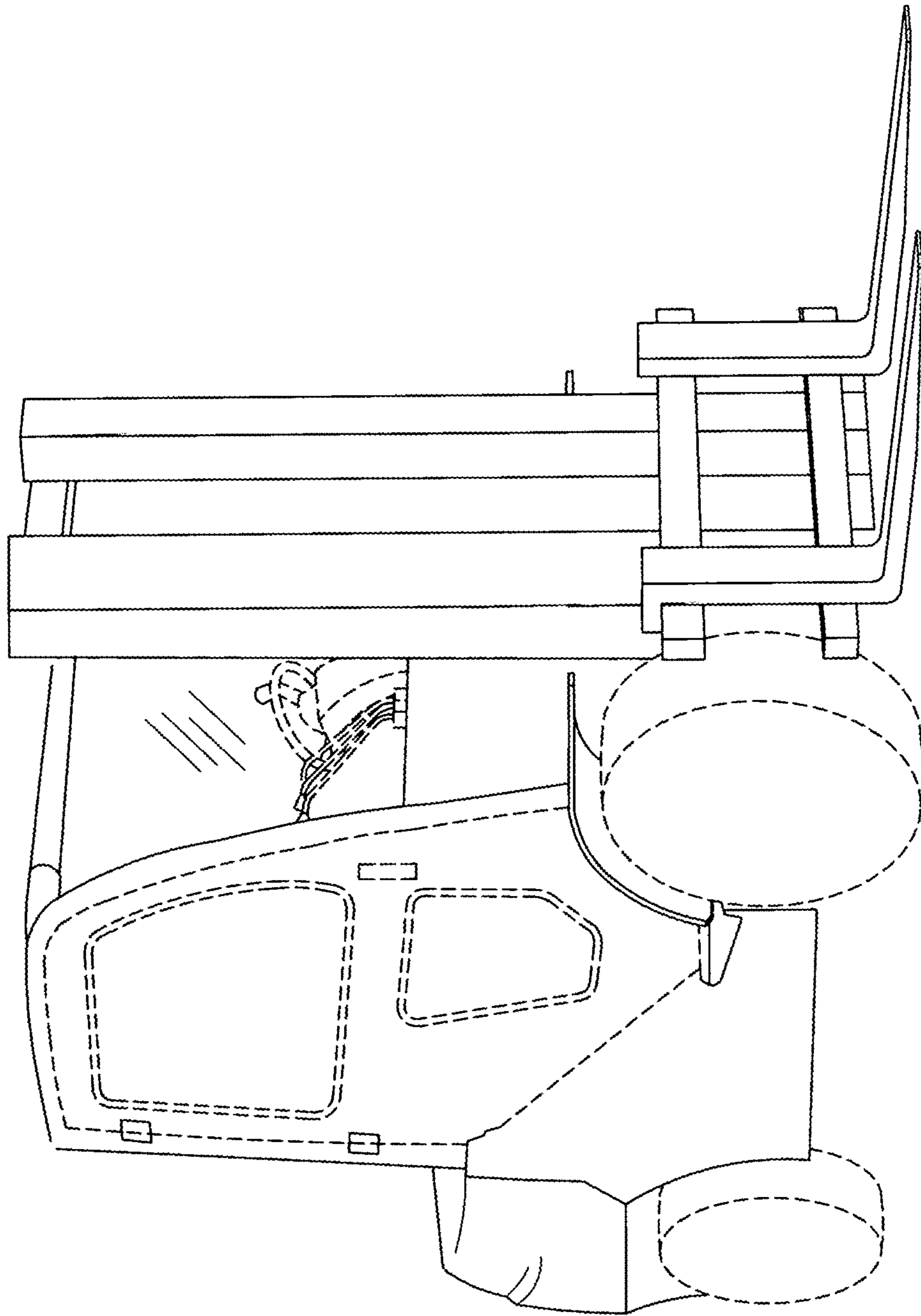


FIG. 7