



US00D829402S

(12) **United States Design Patent** (10) **Patent No.:** **US D829,402 S**
Hendrickson (45) **Date of Patent:** **** Sep. 25, 2018**

(54) **SCOOTER CARRIER**
(71) Applicant: **Brian Hendrickson**, Spring Hill, FL (US)
(72) Inventor: **Brian Hendrickson**, Spring Hill, FL (US)
(**) Term: **15 Years**
(21) Appl. No.: **29/593,420**
(22) Filed: **Feb. 8, 2017**
(51) **LOC (11) Cl.** **12-05**
(52) **U.S. Cl.**
USPC **D34/32**
(58) **Field of Classification Search**
USPC D34/28, 31, 32, 33, 34, 35, 36, 38;
414/659, 546, 545, 540, 539, 523, 462,
414/541; 254/93 R, 124; 187/219;
182/16, 149; 108/50.11, 4, 20; 224/519,
224/509, 497, 496, 402; 280/769
CPC B60R 9/06
See application file for complete search history.

5,542,811 A * 8/1996 Vartanian A61G 3/06
414/541
D472,690 S * 4/2003 Grover D34/28
D617,972 S * 6/2010 Lucht D34/32
D777,399 S * 1/2017 Adriani D34/32
2006/0151555 A1* 7/2006 Mills B60R 9/06
224/509
2010/0066069 A1* 3/2010 Bradshaw B60R 9/06
280/769

* cited by examiner

Primary Examiner — Cynthia Ramirez
Assistant Examiner — Gino Colan
(74) *Attorney, Agent, or Firm* — Gulf Coast Intellectual Property Group

(57) **CLAIM**

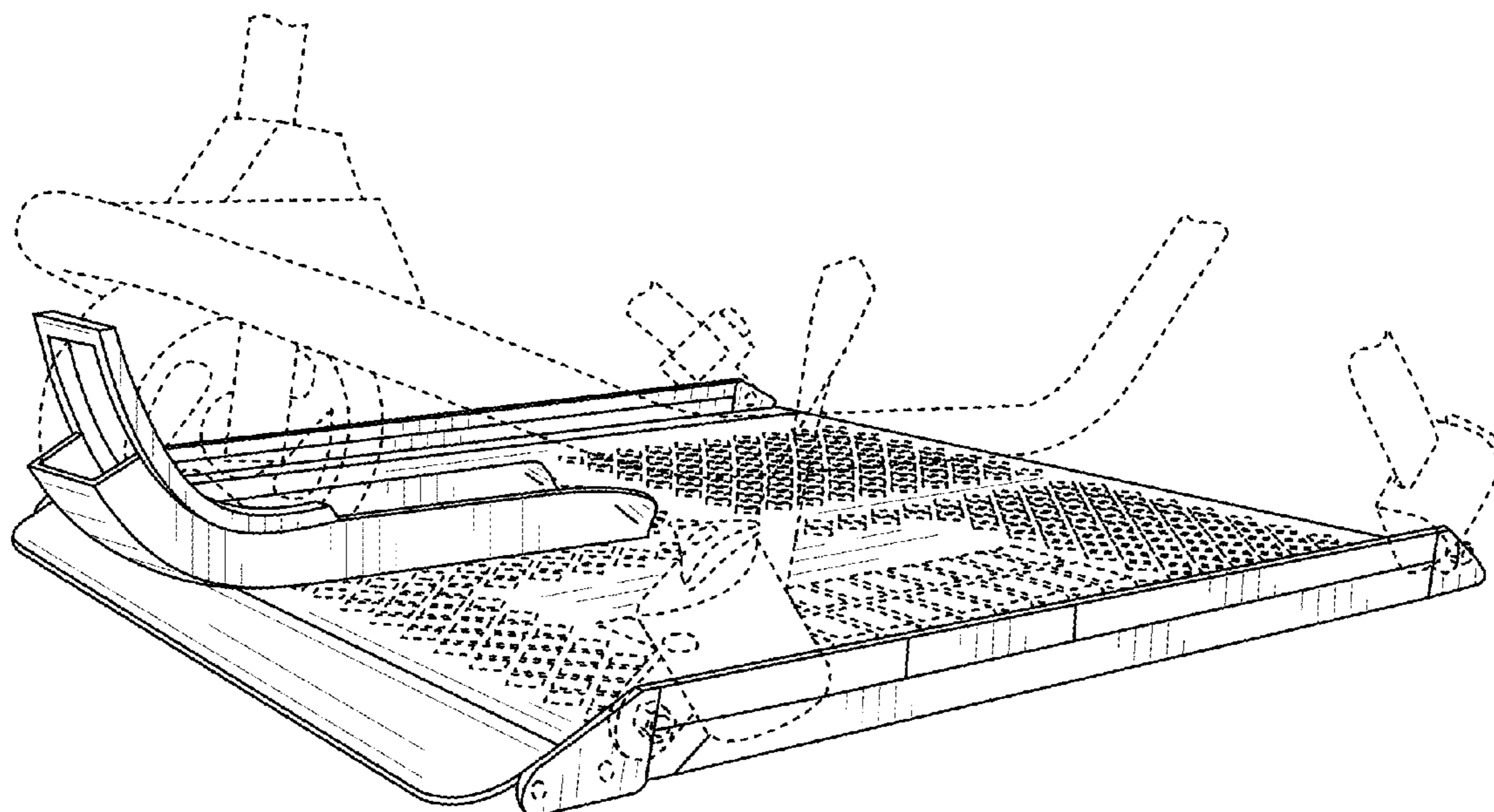
The ornamental design for a scooter carrier, as shown and described.

DESCRIPTION

FIG. 1 is a perspective view of a scooter carrier showing my new design;
FIG. 2 is a top plan view thereof;
FIG. 3 is a right side elevation view thereof;
FIG. 4 is a left side elevation view thereof;
FIG. 5 is a front elevation view thereof; and,
FIG. 6 is rear elevation view thereof.

1 Claim, 3 Drawing Sheets

(56) **References Cited**
U.S. PATENT DOCUMENTS
4,214,849 A * 7/1980 Downing B60P 1/4457
414/545
5,368,209 A * 11/1994 Hill B60R 9/06
224/402



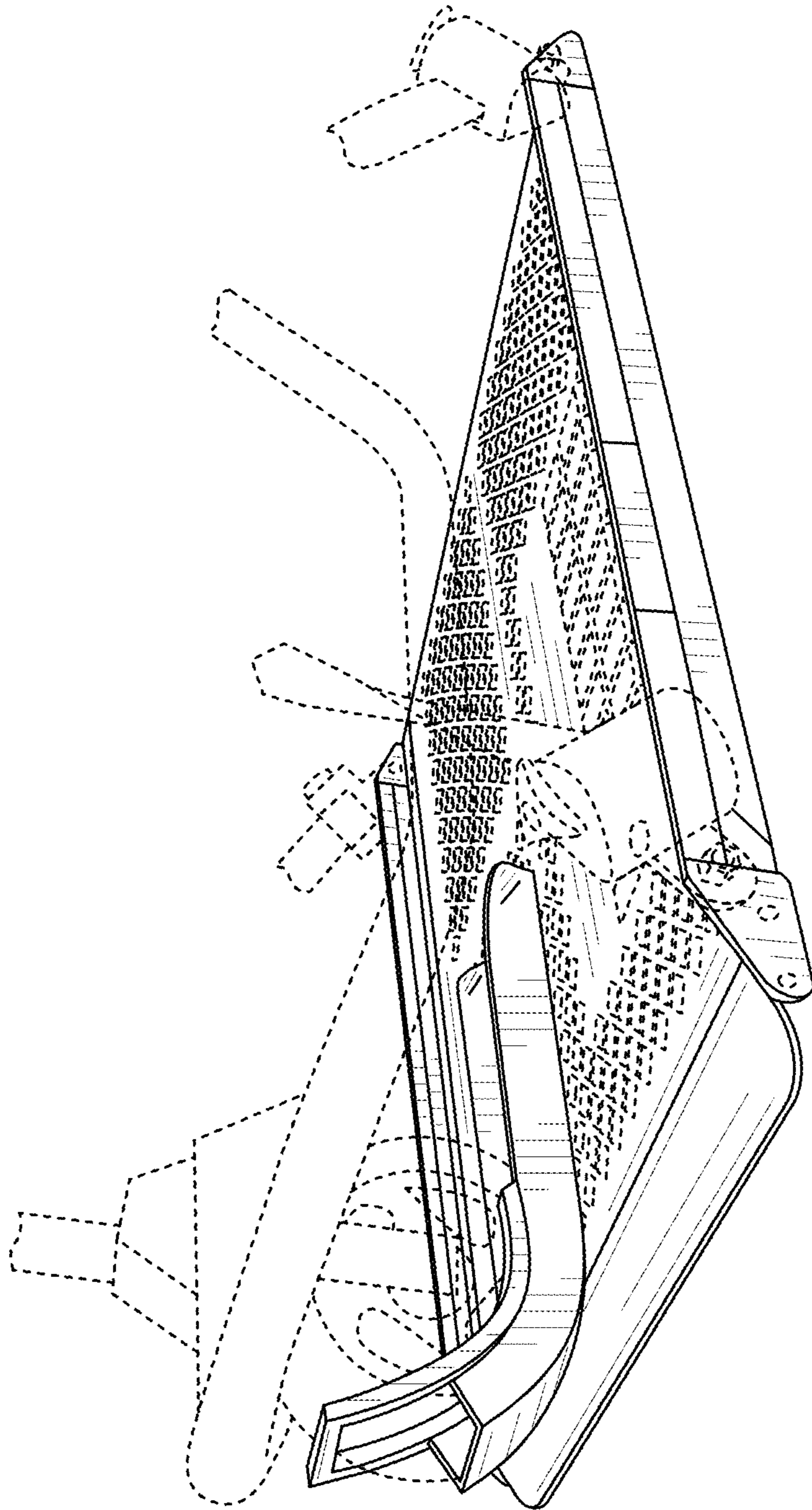


FIG. 1

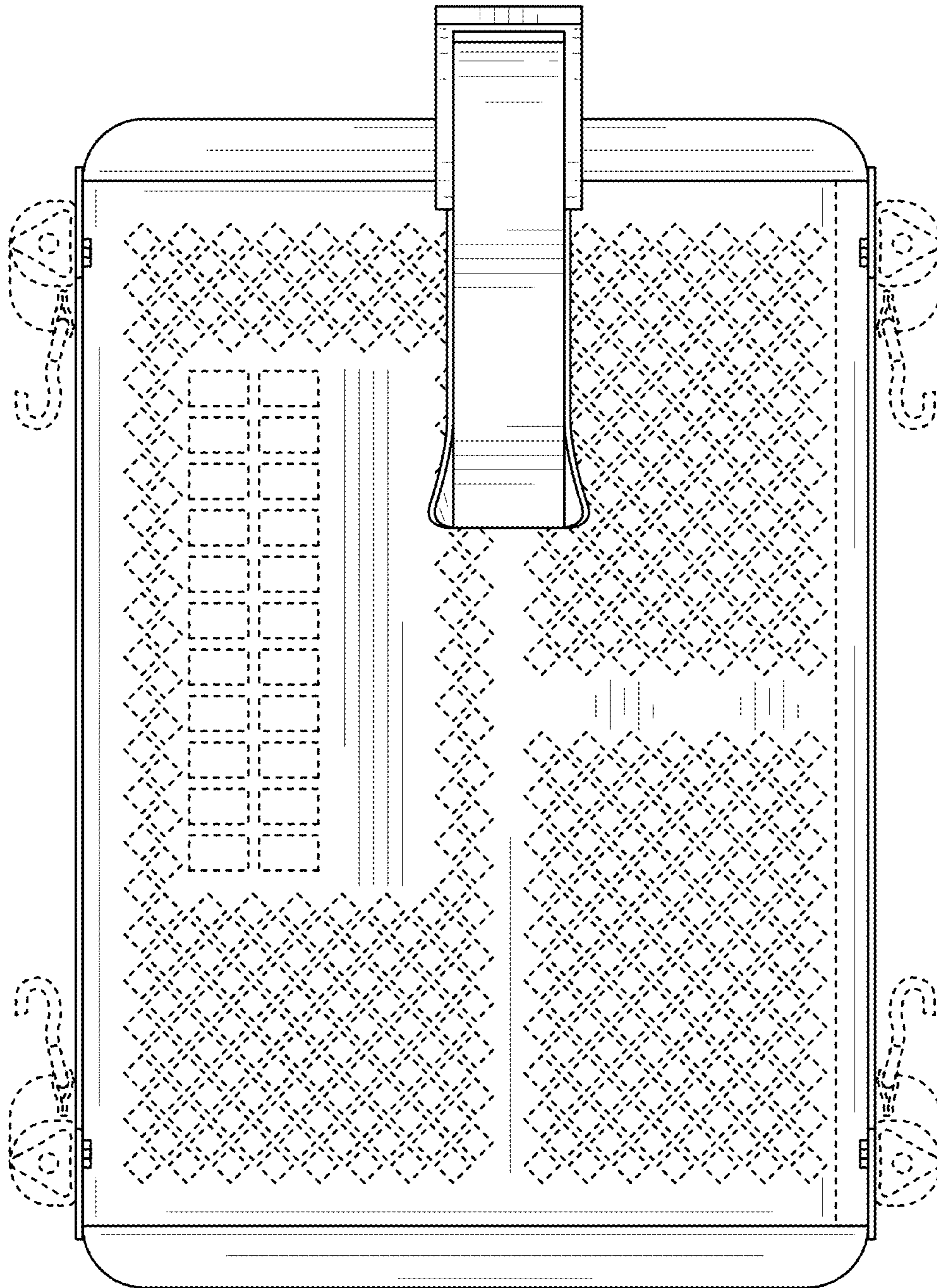


FIG. 2

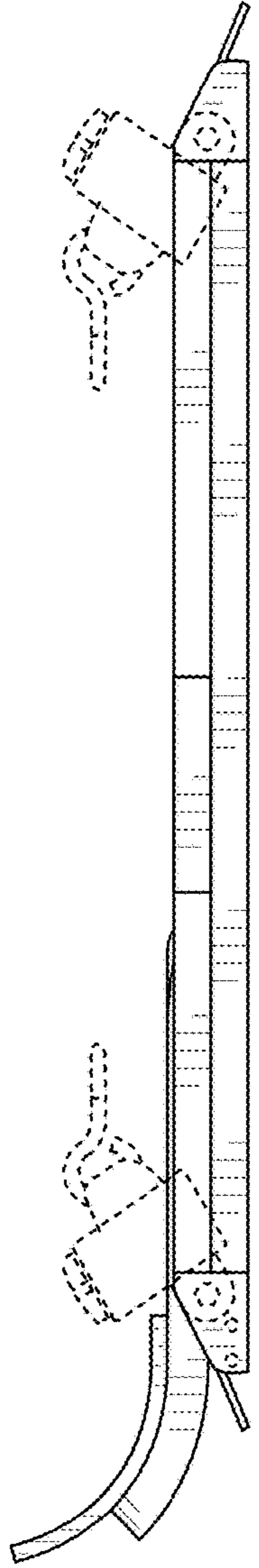


FIG. 3

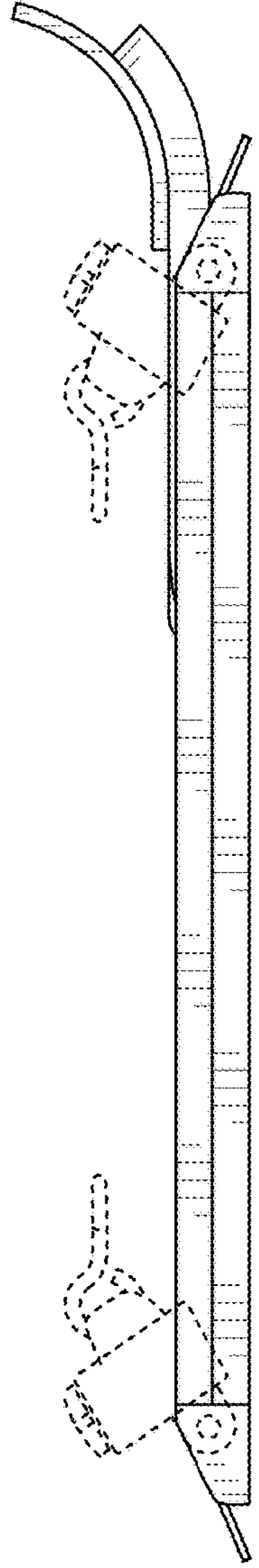


FIG. 4

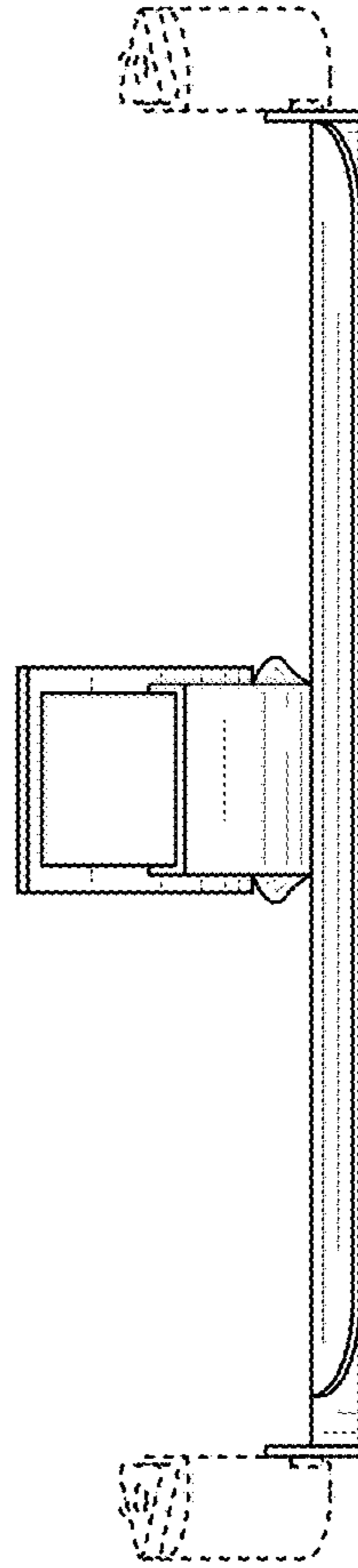


FIG. 5

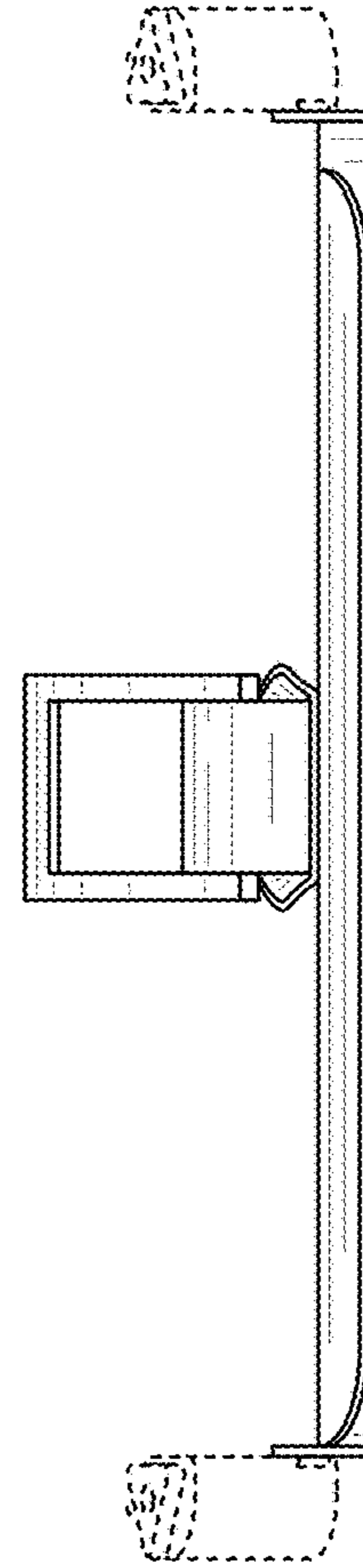


FIG. 6