



US00D829399S

(12) **United States Design Patent**
Genois et al.

(10) **Patent No.:** **US D829,399 S**

(45) **Date of Patent:** **** Sep. 25, 2018**

(54) **WASTE DIVIDED CART**

(71) Applicant: **IPL INC.**, St-Damien (CA)

(72) Inventors: **Mathieu Genois**, Lévis (CA); **Daisy Del Rosario Roy**, Lévis (CA); **Roch Nolet**, St-Joseph (CA); **Yvan Marcoux**, St-Joseph (CA); **Francis Côté**, Lévis (CA)

(73) Assignee: **IPL INC.**, St-Damien (CA)

(**) Term: **15 Years**

(21) Appl. No.: **29/617,938**

(22) Filed: **Sep. 18, 2017**

(30) **Foreign Application Priority Data**

Aug. 28, 2017 (CA) 176595

(51) **LOC (11) Cl.** **09-09**

(52) **U.S. Cl.**
USPC **D34/1**

(58) **Field of Classification Search**
USPC D34/1-1.1, 3-11, 27, 19; D7/603, 400,
D7/602; 220/908; D3/204, 320, 306;
D32/53; D22/136; D30/131
CPC B65F 1/1473; B62B 2202/028
See application file for complete search history.

(56) **References Cited**

U.S. PATENT DOCUMENTS

D405,576 S * 2/1999 Rausch D34/1
D441,511 S * 5/2001 Windle D34/1

D448,133 S * 9/2001 Windle D34/1
D458,429 S * 6/2002 Lenard D34/1
D493,590 S * 7/2004 Chen D34/1
D593,796 S * 6/2009 Kevan D34/1
D602,667 S * 10/2009 Barbieri D34/1
D604,472 S * 11/2009 Blanks D34/7
D632,928 S * 2/2011 Smyers D7/602
D634,546 S * 3/2011 Horwitz D3/320
D794,272 S * 8/2017 Kelsch D34/1

* cited by examiner

Primary Examiner — Cynthia Ramirez

Assistant Examiner — Gino Colan

(74) *Attorney, Agent, or Firm* — Goudreau Gage Dubuc;
Gwendoline Bruneau

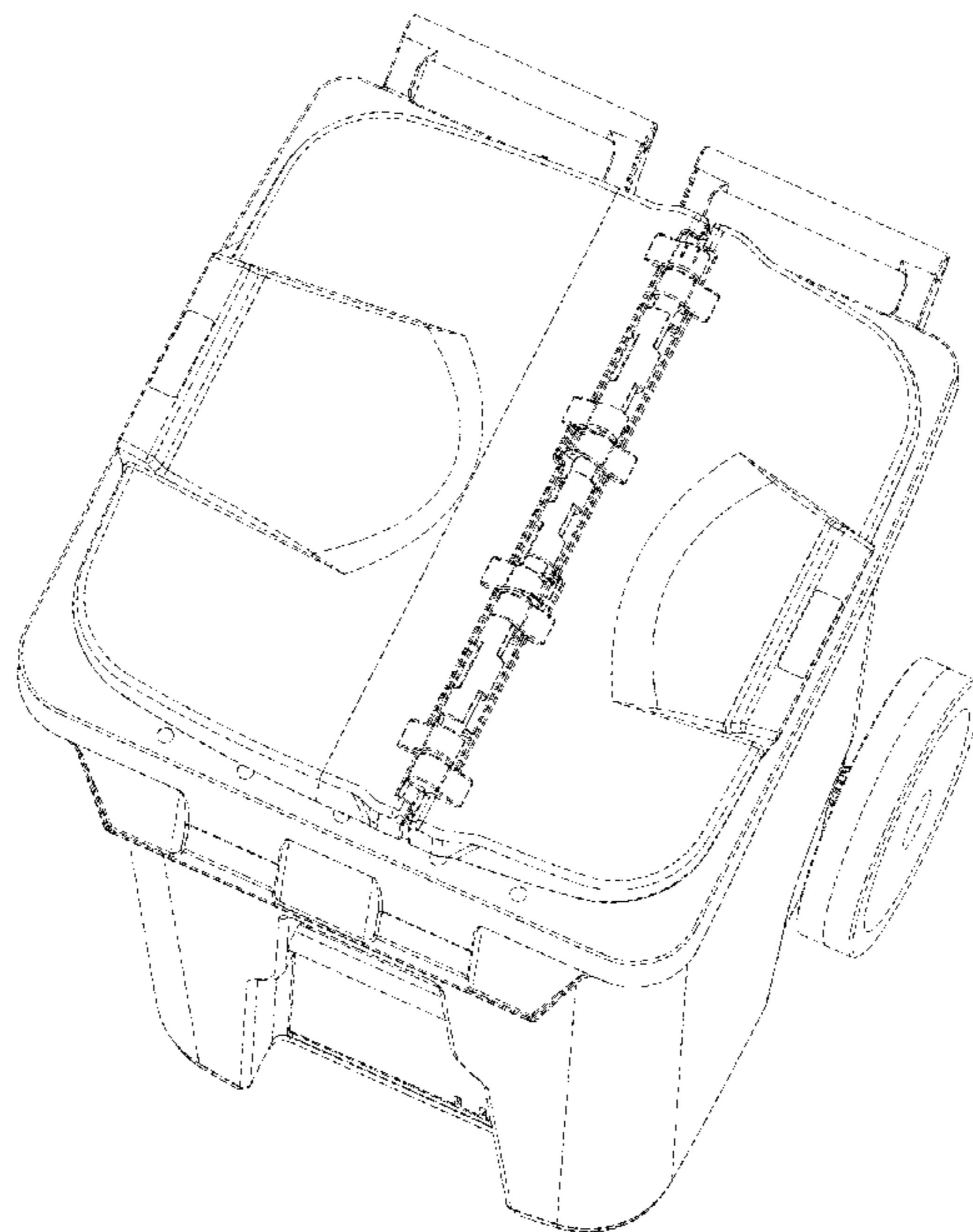
(57) **CLAIM**

The ornamental design for a waste divided cart, as shown and described.

DESCRIPTION

FIG. 1 is a perspective top view of a waste divided cart, with lids closed, showing the new design;
FIG. 2 is a perspective top view of a waste divided cart thereof, with lids open;
FIG. 3 is a perspective view thereof;
FIG. 4 is a front view thereof;
FIG. 5 is a first side view thereof;
FIG. 6 is a second side view thereof;
FIG. 7 is a back view thereof;
FIG. 8 is top view thereof; and,
FIG. 9 is a bottom view thereof.
The broken shown in the figures are included for the purpose of illustrating portions of the waste divided cart and do not form part of the claimed design.

1 Claim, 8 Drawing Sheets



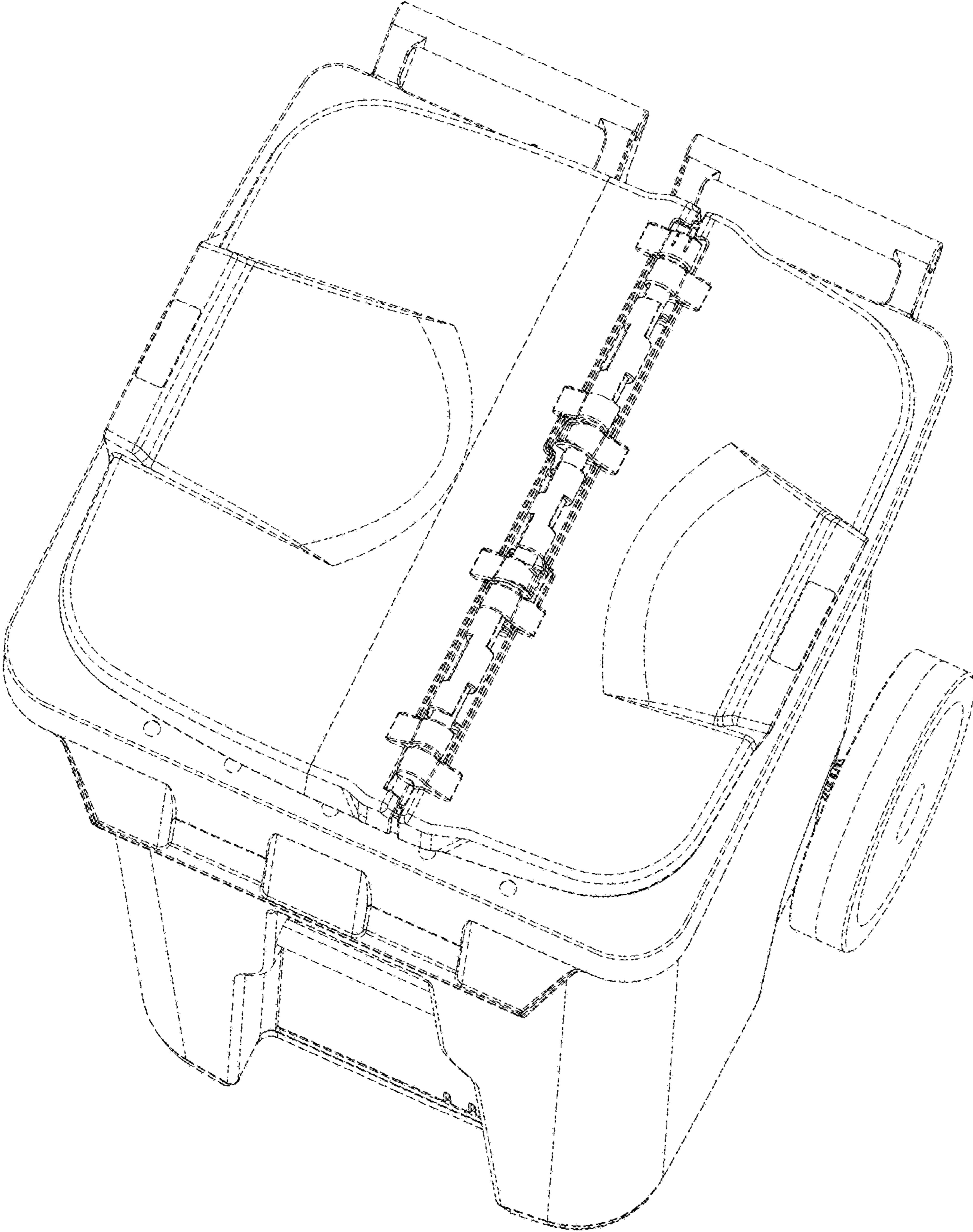


Fig. 1

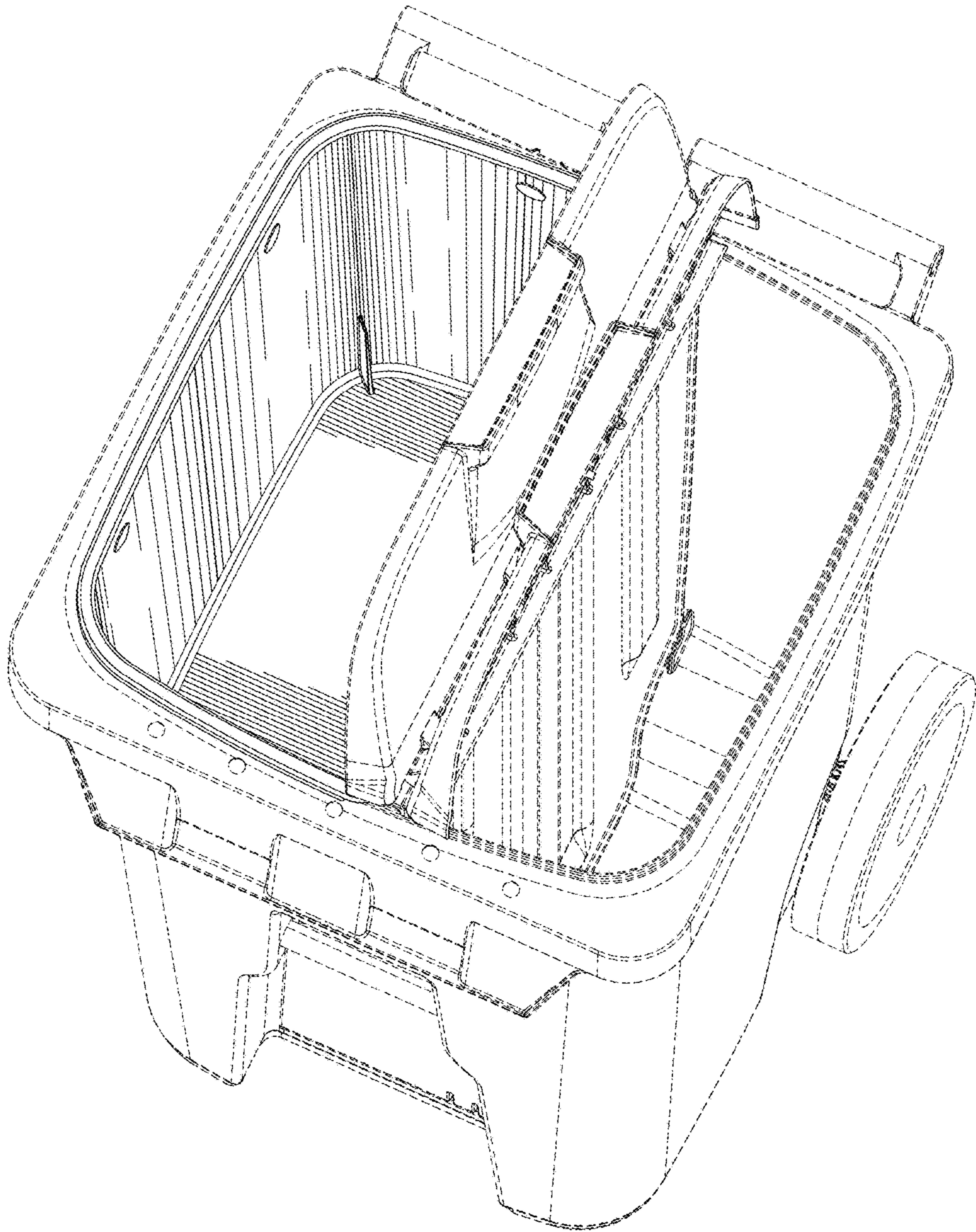


FIG. 2

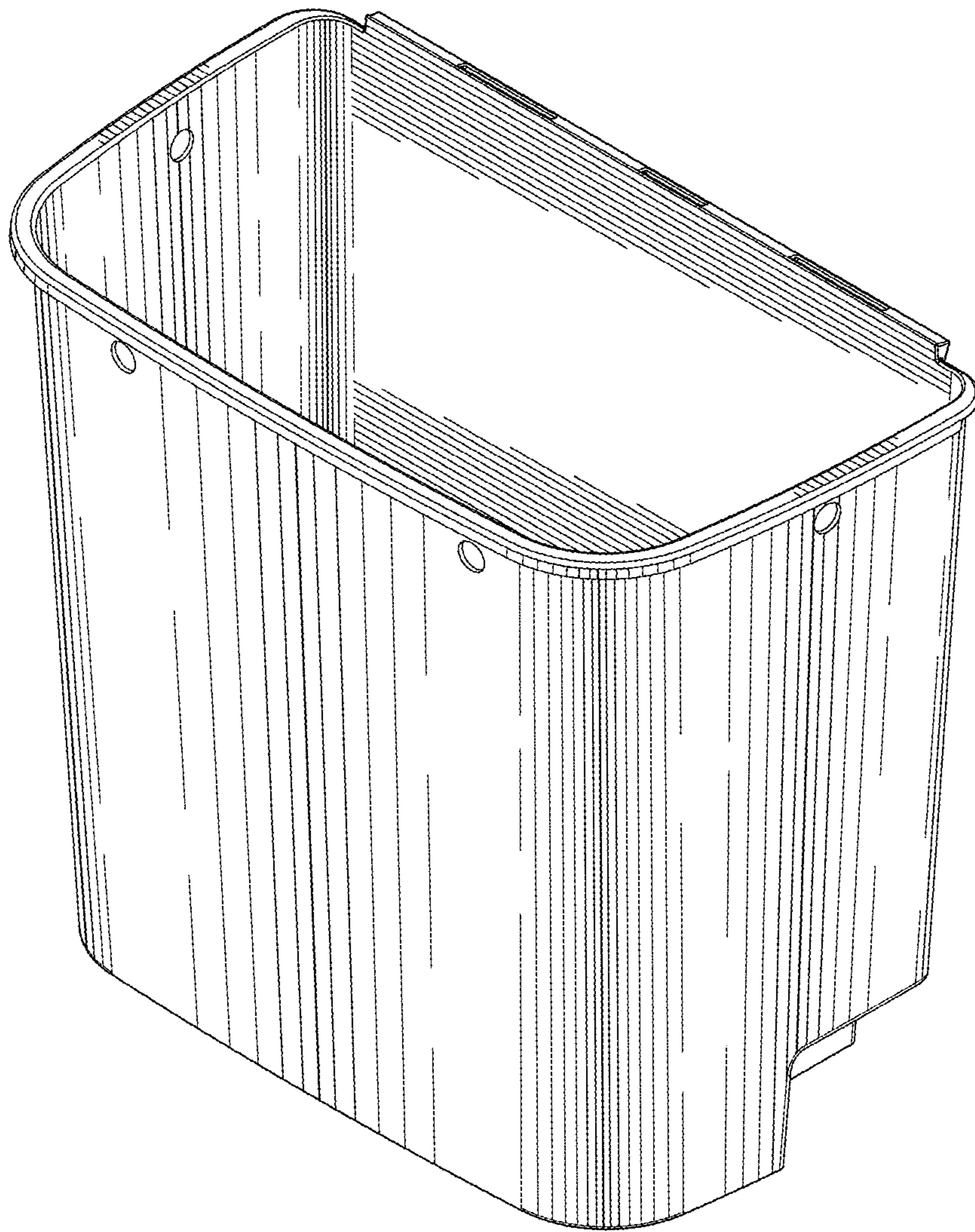


FIG. 3

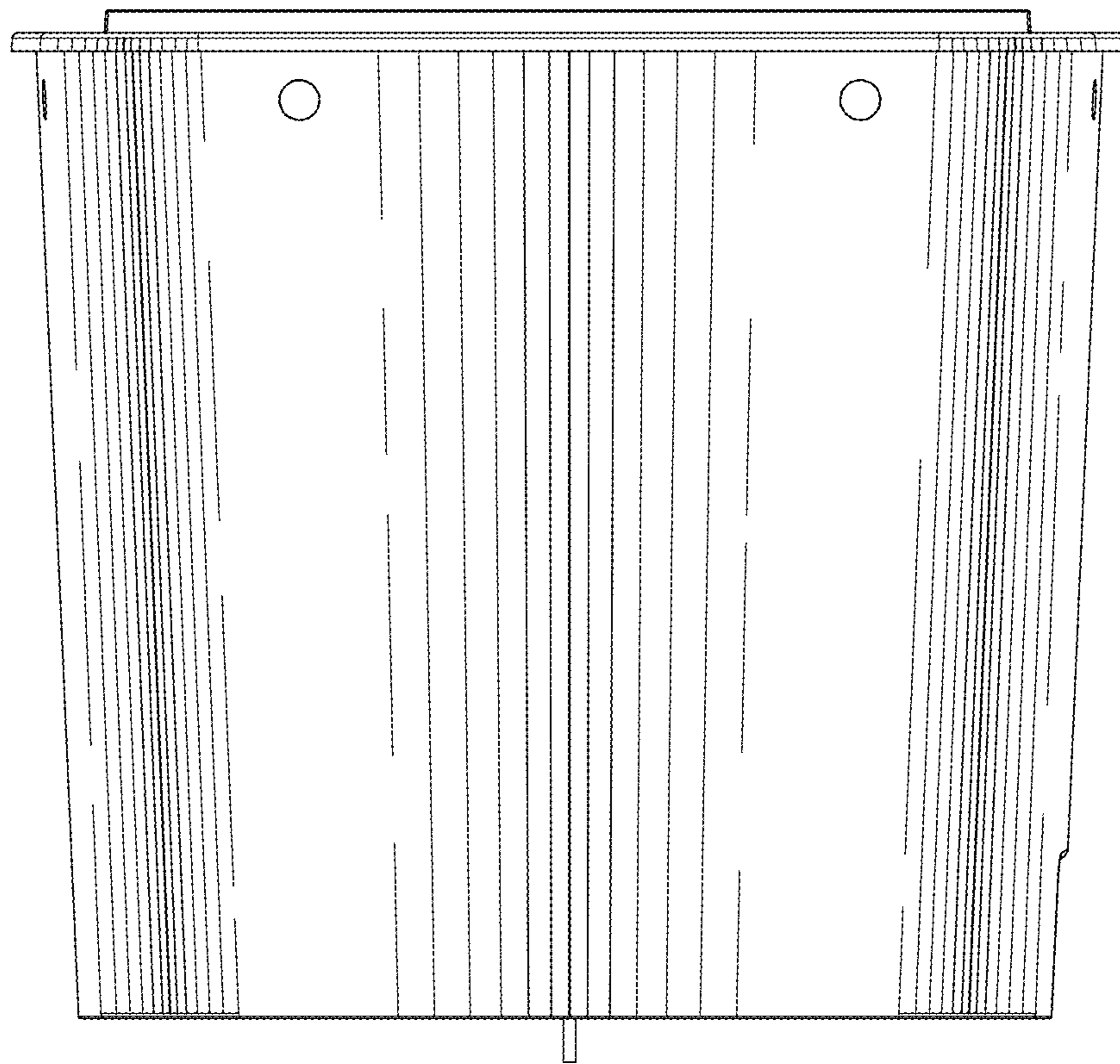


FIG. 4

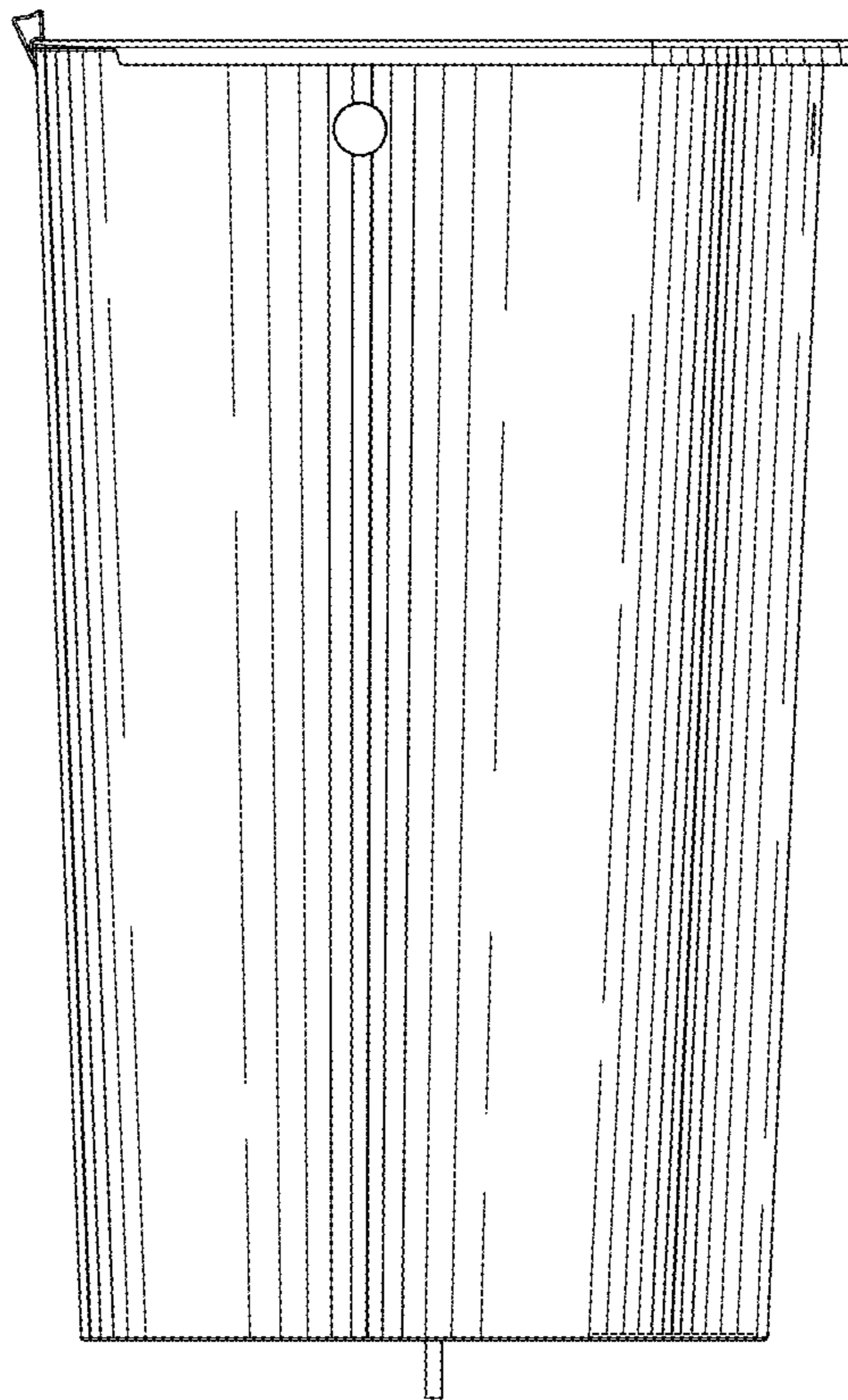


FIG. 5

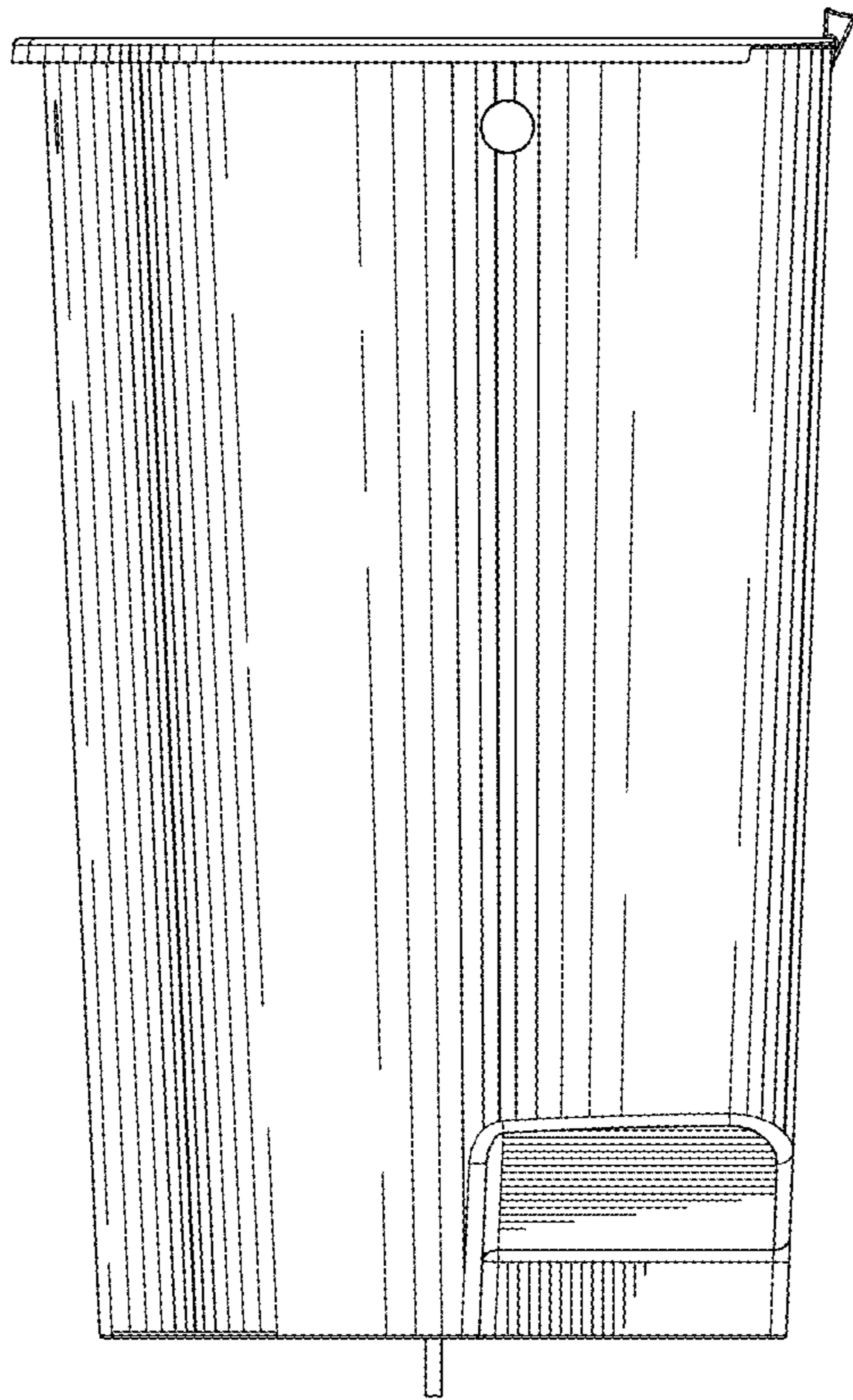


FIG. 6

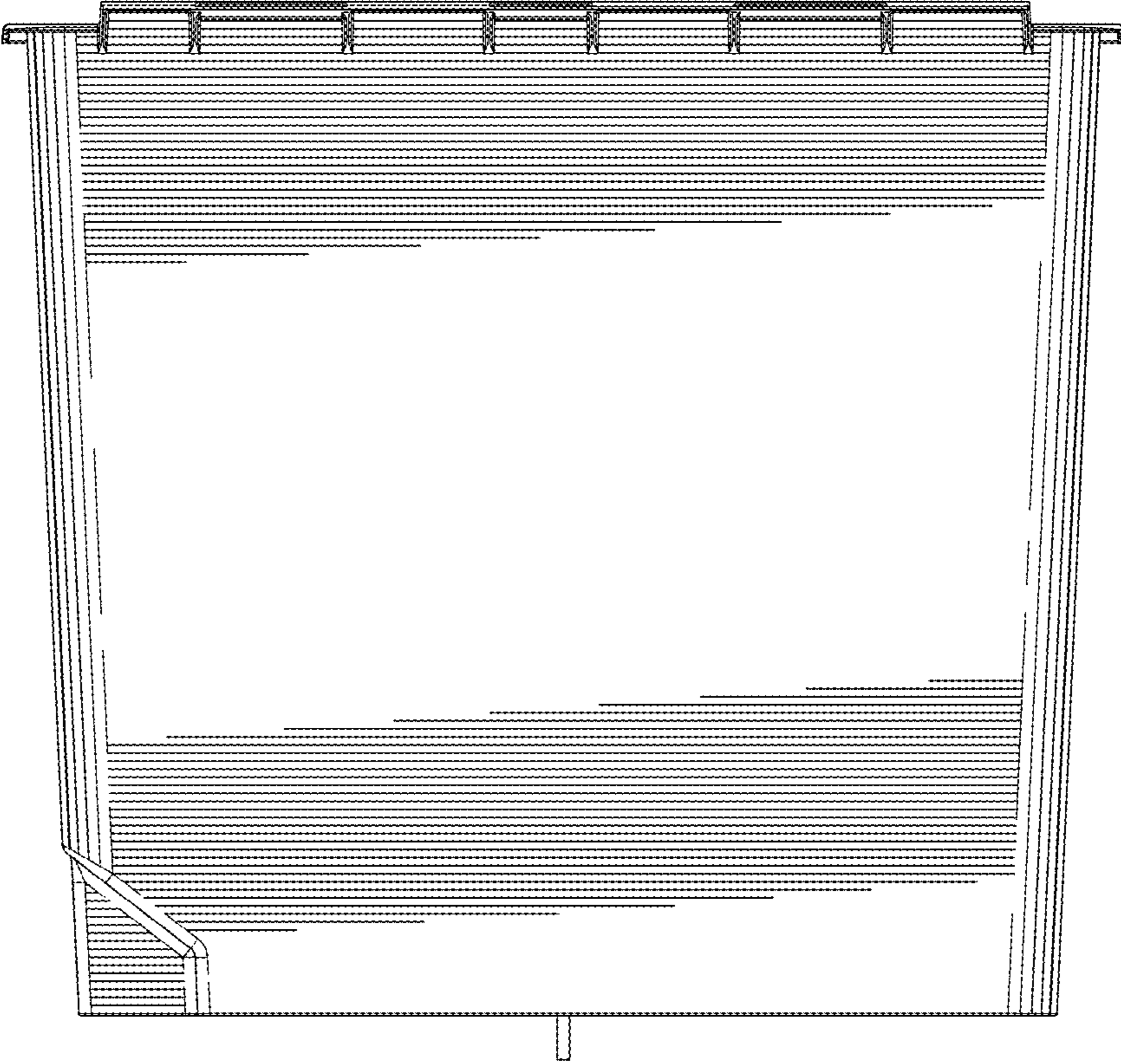


FIG. 7

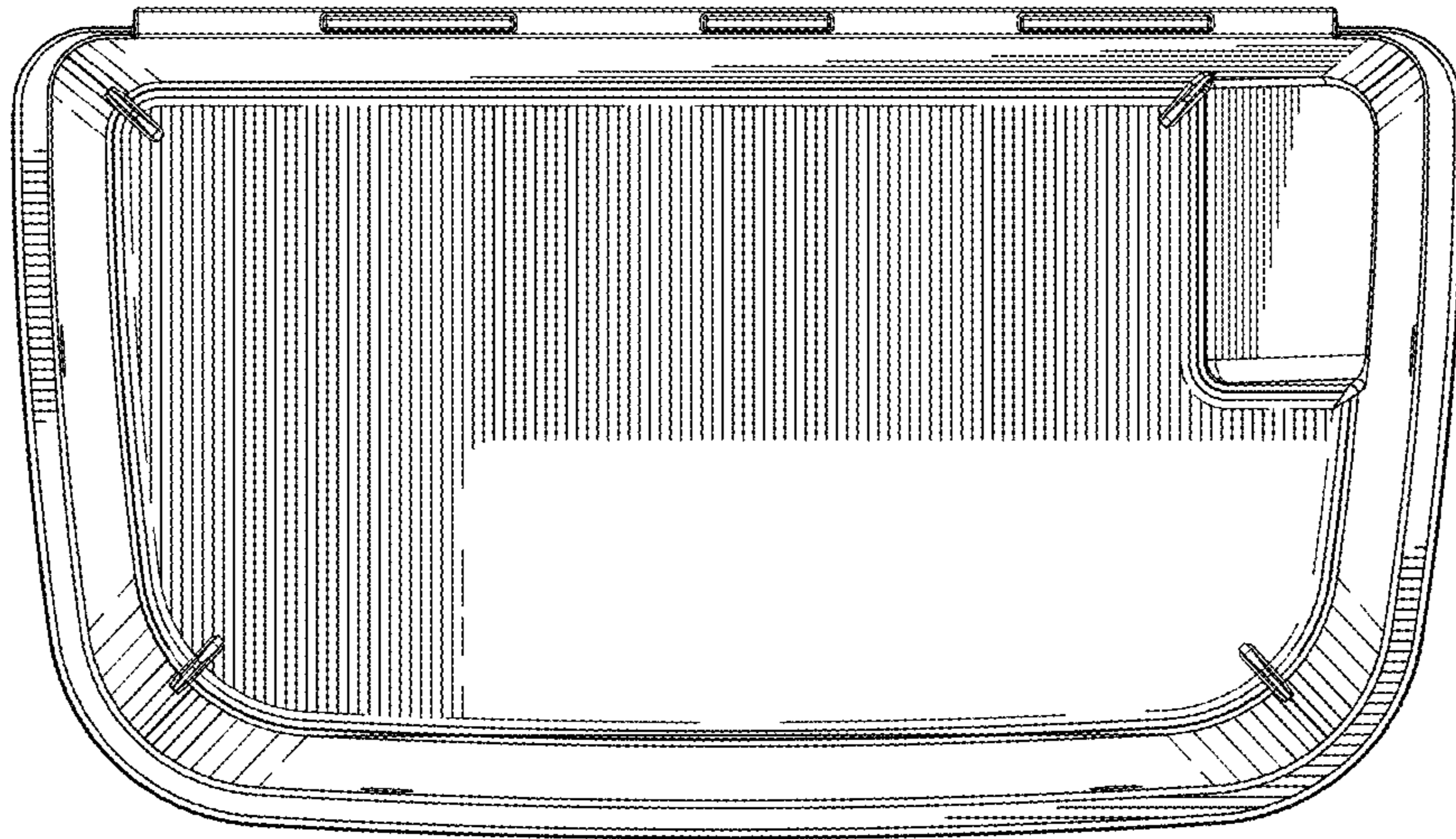


FIG. 8

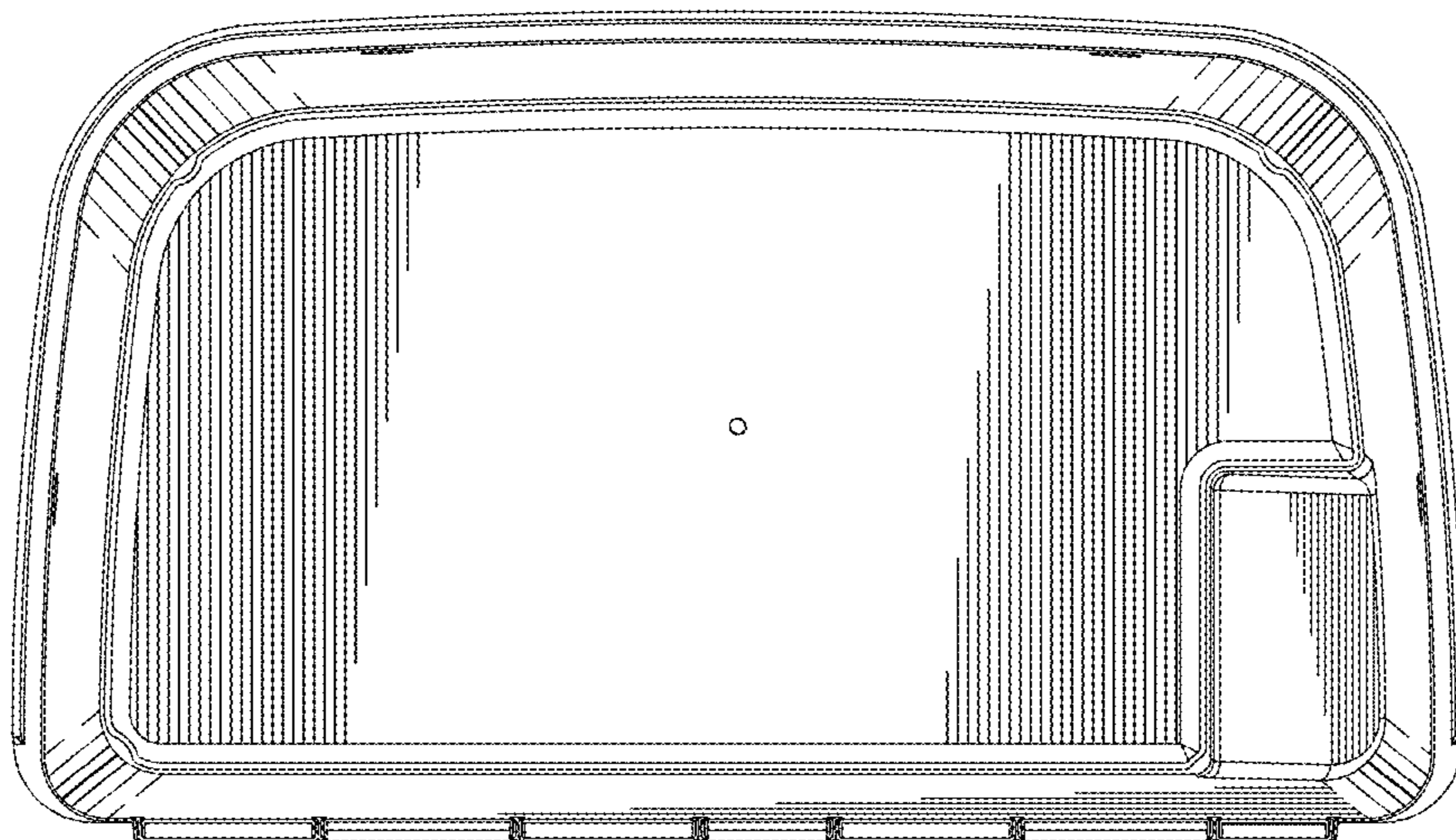


FIG. 9