



US00D829398S

(12) **United States Design Patent** (10) **Patent No.:** **US D829,398 S**  
**Niedzwecki et al.** (45) **Date of Patent:** **\*\* Sep. 25, 2018**

(54) **MOP HEAD**

- (71) Applicant: **SharkNinja Operating LLC**, Newton, MA (US)
- (72) Inventors: **Scott Benjamin Niedzwecki**, Walpole, MA (US); **Junghwan Chei**, Chestnut Hill, MA (US); **Dan Innes**, Newton Center, MA (US)
- (73) Assignee: **SharkNinja Operating LLC**, Needham, MA (US)

(\*\*) Term: **15 Years**

(21) Appl. No.: **29/566,106**

(22) Filed: **May 26, 2016**

(51) **LOC (11) Cl.** ..... **07-05**

(52) **U.S. Cl.**  
USPC ..... **D32/50**

(58) **Field of Classification Search**  
USPC ..... D32/40–49, 50–52, 21–25, 31–33  
CPC ..... A63C 11/22; A47L 23/24; A47K 7/026;  
A63B 57/0087

See application file for complete search history.

(56) **References Cited**

U.S. PATENT DOCUMENTS

D263,236 S *	3/1982	Ueda	.....	D32/32
D331,991 S *	12/1992	Wright	.....	D32/32
D333,539 S *	2/1993	Kramer	.....	D32/32
D381,780 S *	7/1997	Summers	.....	D32/33
D404,862 S *	1/1999	Johnson	.....	D32/50
D419,730 S *	1/2000	Diebel	.....	D32/22
D440,019 S *	4/2001	Mehaffey	.....	D32/32
D499,220 S *	11/2004	Kim	.....	D32/22
D643,980 S *	8/2011	Kim	.....	D32/22

(Continued)

FOREIGN PATENT DOCUMENTS

CN	302198956	*	11/2012
JP	D1176939	*	6/2003

OTHER PUBLICATIONS

AmazonSmile—Bissell 1940 PowerFresh Steam Mop Hard Floor Steam Cleaner, review date Dec. 25, 2014, [https://smile.amazon.com/dp/B0091YYUAM/ref=psdc\\_3303861011\\_t2\\_B01KU4BSGK](https://smile.amazon.com/dp/B0091YYUAM/ref=psdc_3303861011_t2_B01KU4BSGK), [site visited Jul. 19, 2017 11:37:28 PM].\*

*Primary Examiner* — John Windmuller

*Assistant Examiner* — John R Yeh

(74) *Attorney, Agent, or Firm* — Grossman Tucker Perreault & Pflieger, PLLC

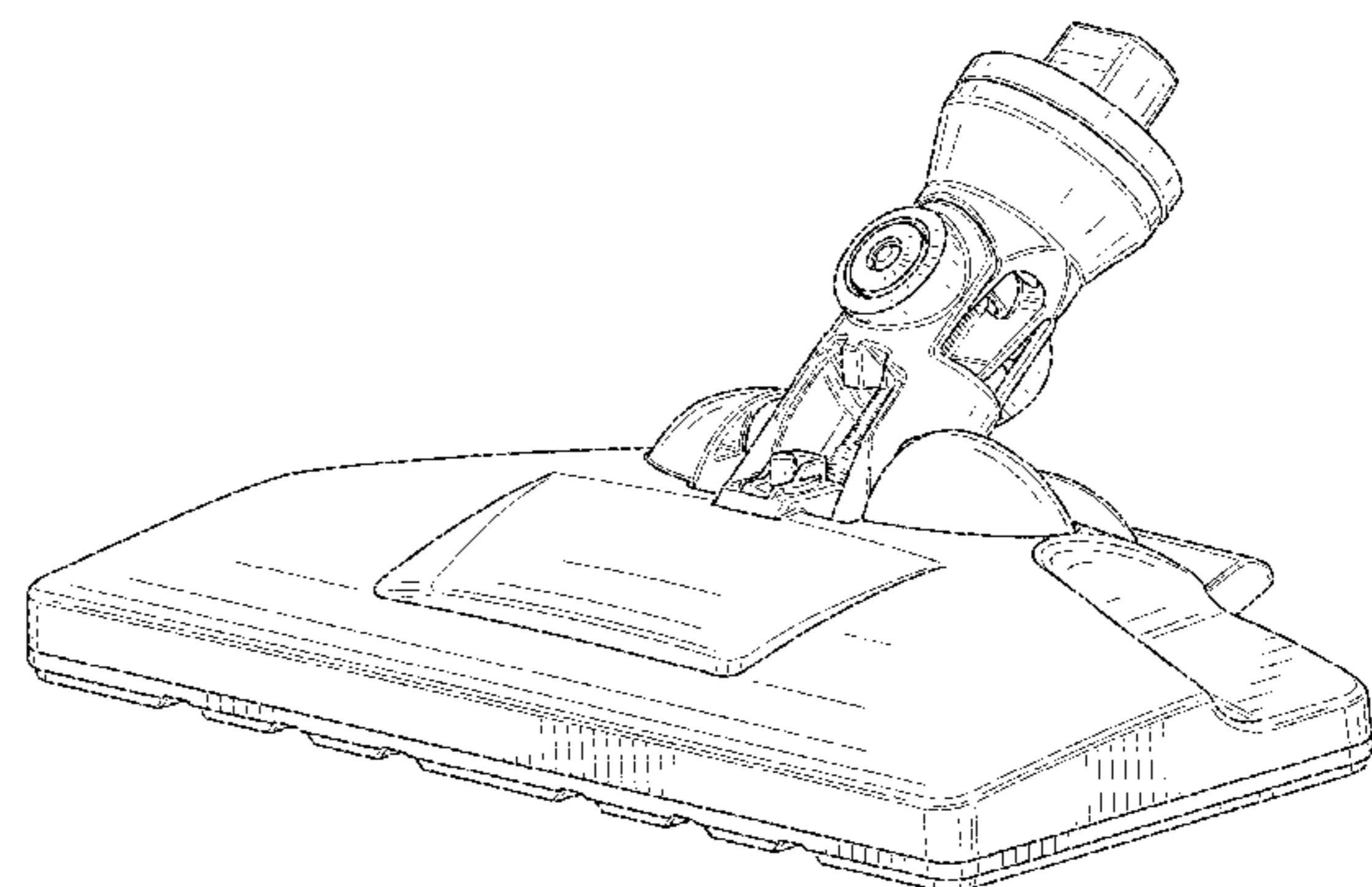
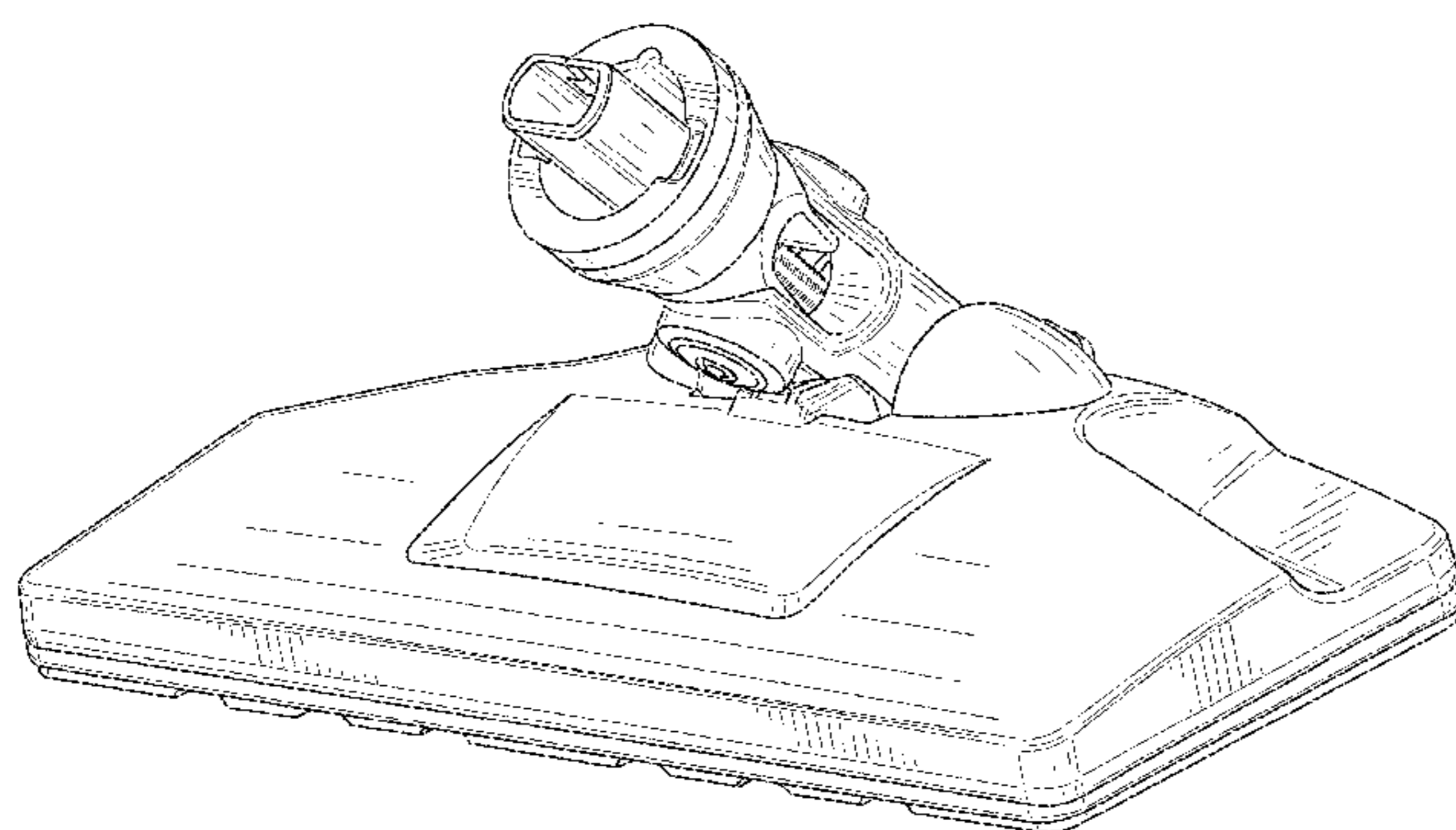
(57) **CLAIM**

The ornamental design for a mop head, as shown and described.

**DESCRIPTION**

FIG. 1 is a perspective view of a mop head in accordance with our design;  
 FIG. 2 is a front view of the mop head in accordance with our design;  
 FIG. 3 is a back view of the mop head in accordance with our design;  
 FIG. 4 is a first side view of the mop head in accordance with our design;  
 FIG. 5 is a second side view of the mop head in accordance with our design;  
 FIG. 6 is a top view of the mop head in accordance with our design; and  
 FIG. 7 is a bottom view of the mop head in accordance with our design.  
 FIG. 8 is a perspective view of the mop head in an alternative position of use;  
 FIG. 9 is a front view of the mop head of FIG. 8;  
 FIG. 10 is a back view of the mop head of FIG. 8;  
 FIG. 11 is a first side view of the mop head of FIG. 8;  
 FIG. 12 is a second side view of the mop head of FIG. 8;  
 FIG. 13 is a top view of the mop head of FIG. 8; and  
 FIG. 14 is a bottom view of the mop head of FIG. 8.

**1 Claim, 14 Drawing Sheets**



(56)

**References Cited**

U.S. PATENT DOCUMENTS

D656,283 S \* 3/2012 Lavy ..... D32/45  
D684,326 S \* 6/2013 Okabe ..... D32/22  
D693,073 S \* 11/2013 Eun-Sun ..... D32/22  
D698,510 S \* 1/2014 Chu ..... D32/32  
D767,222 S \* 9/2016 Houghton ..... D32/31  
D772,510 S \* 11/2016 Palladino ..... D32/31  
D789,007 S \* 6/2017 Jang ..... D32/32  
D791,420 S \* 7/2017 Meyer ..... D32/22  
2014/0196242 A2 \* 7/2014 Kasper ..... A47L 11/4027  
15/320  
2015/0374195 A1 \* 12/2015 Tran ..... A47L 5/225  
15/322  
2016/0360943 A1 \* 12/2016 Krebs ..... A47L 13/22  
2017/0007089 A1 \* 1/2017 Kasper ..... A47L 11/4027

\* cited by examiner

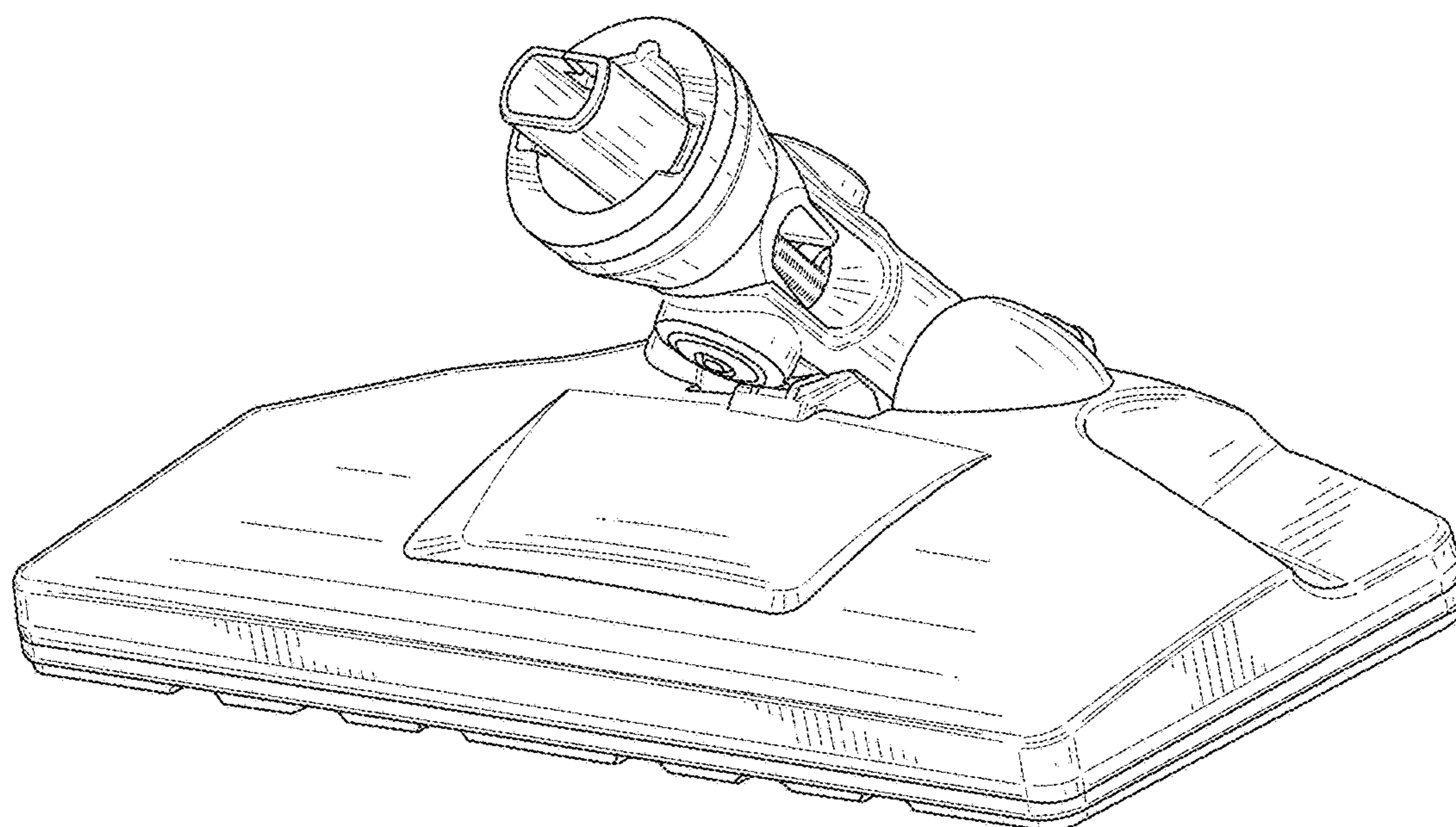


FIG. 1

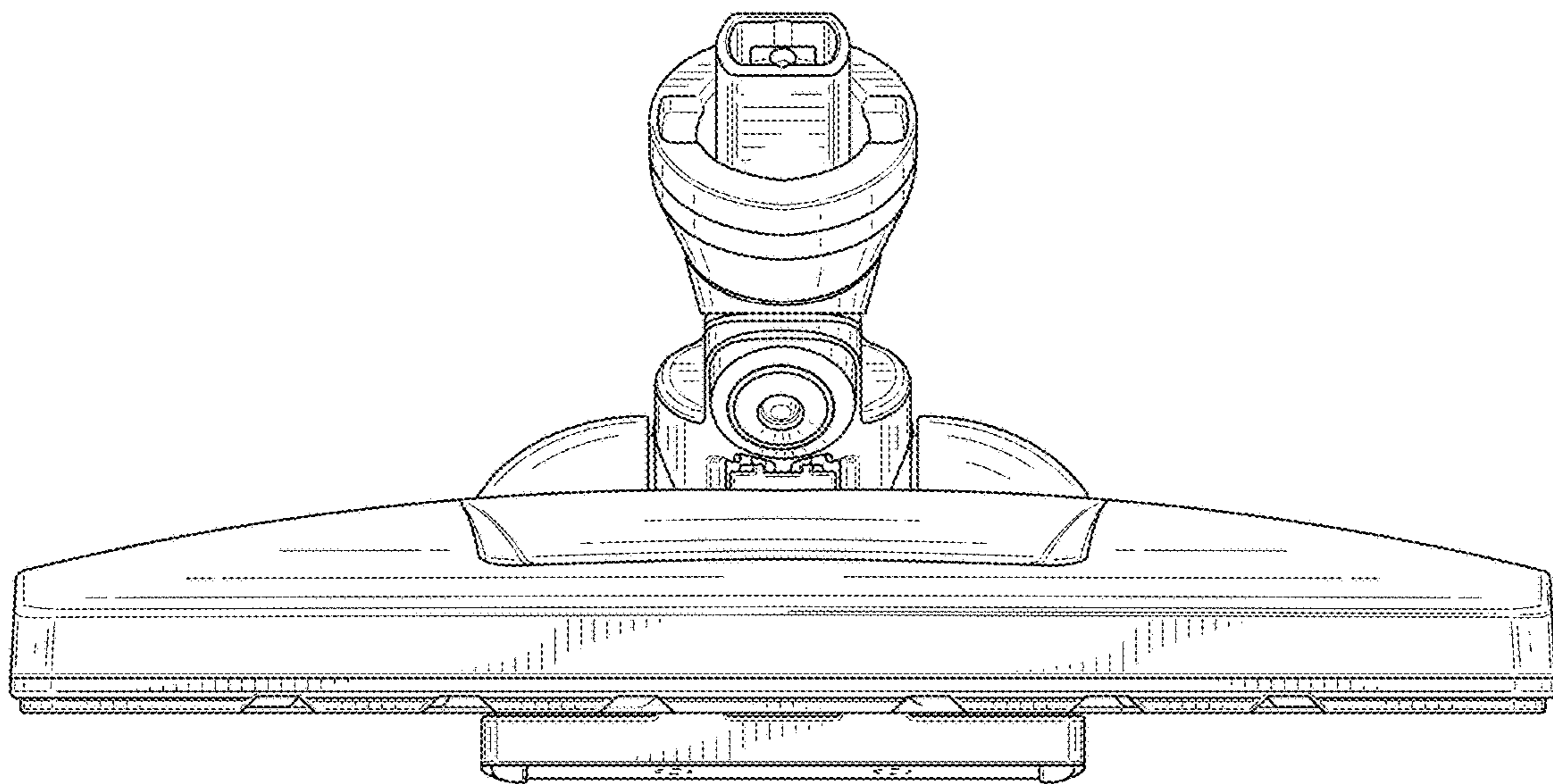


FIG. 2



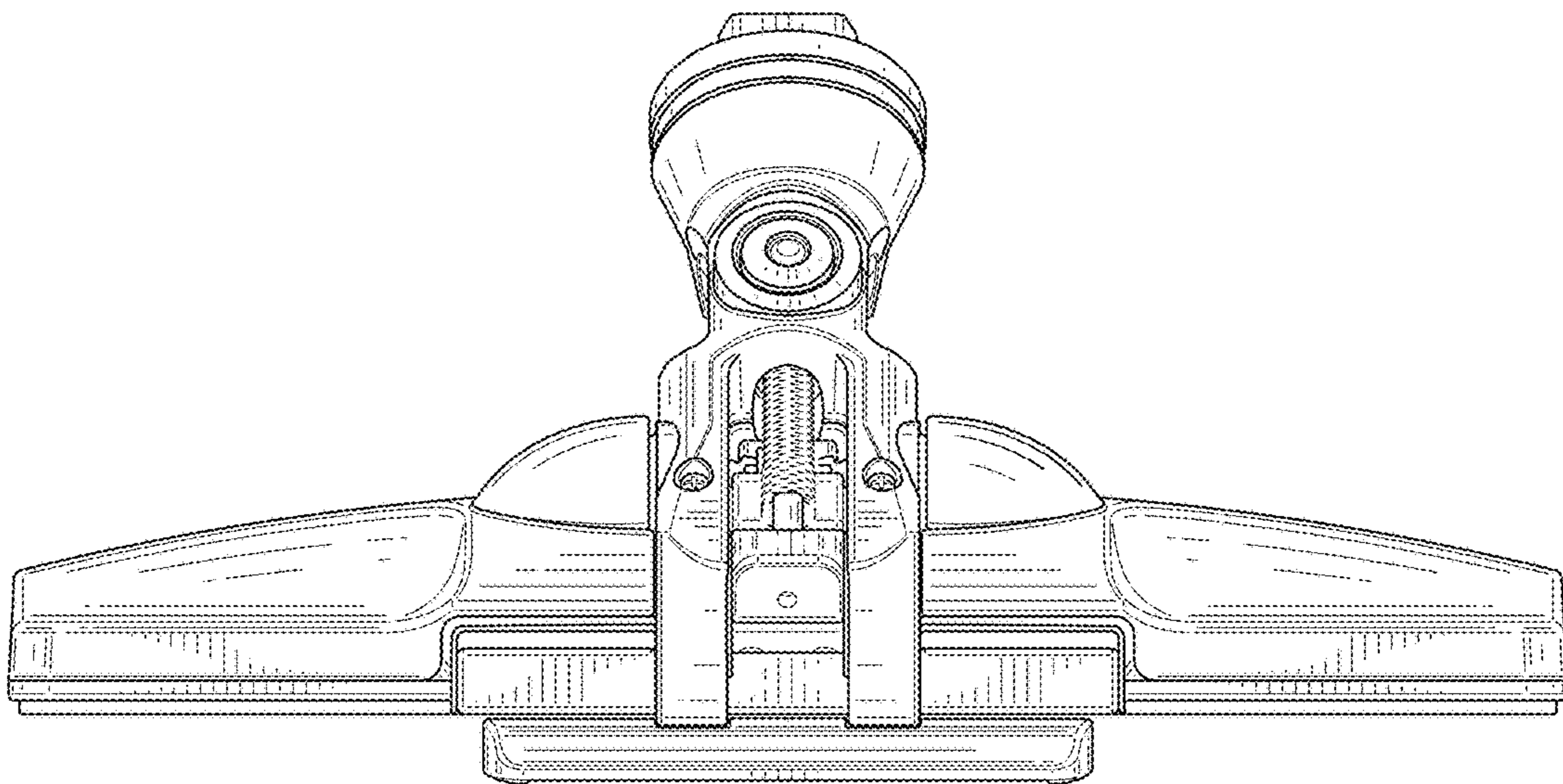
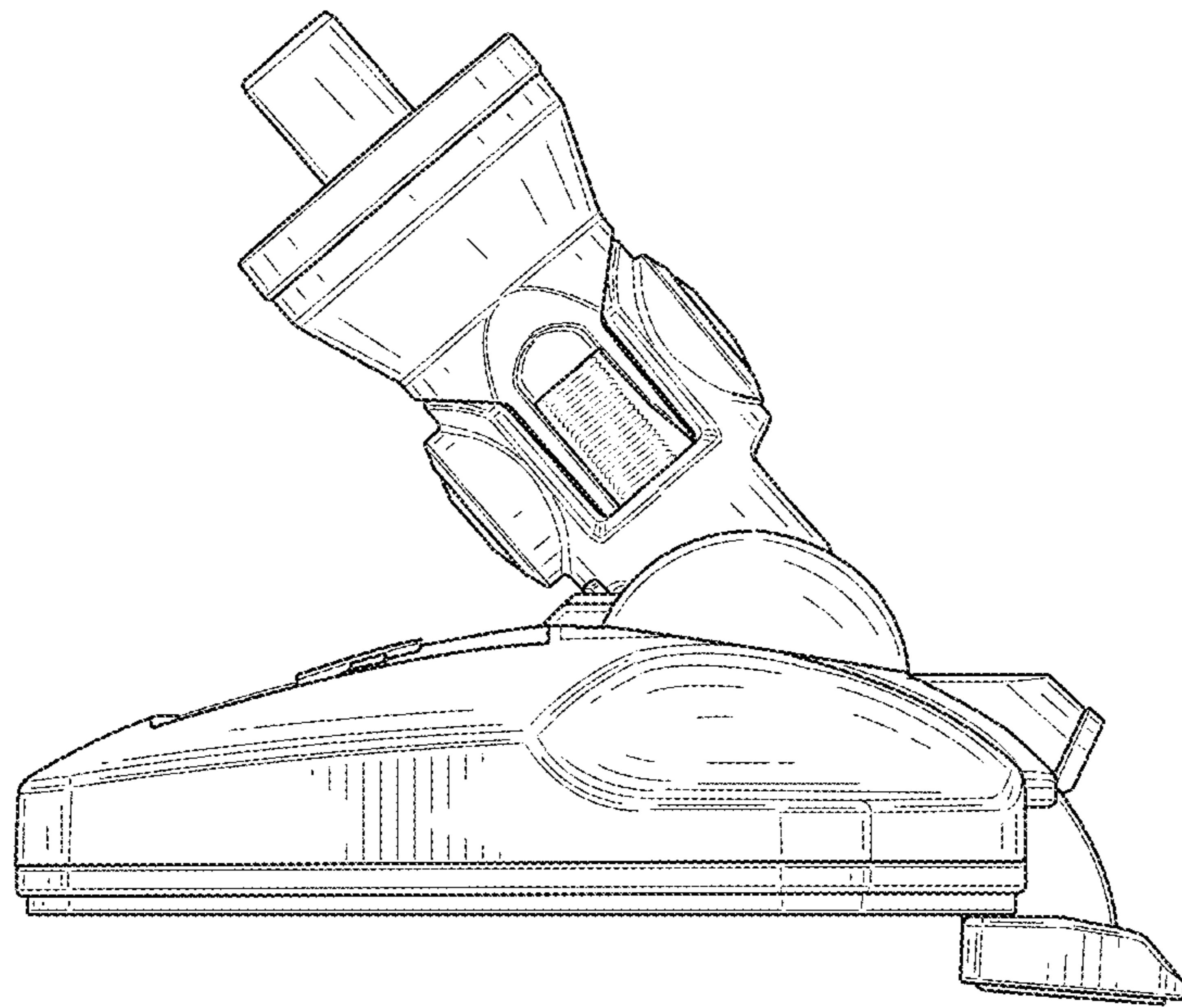
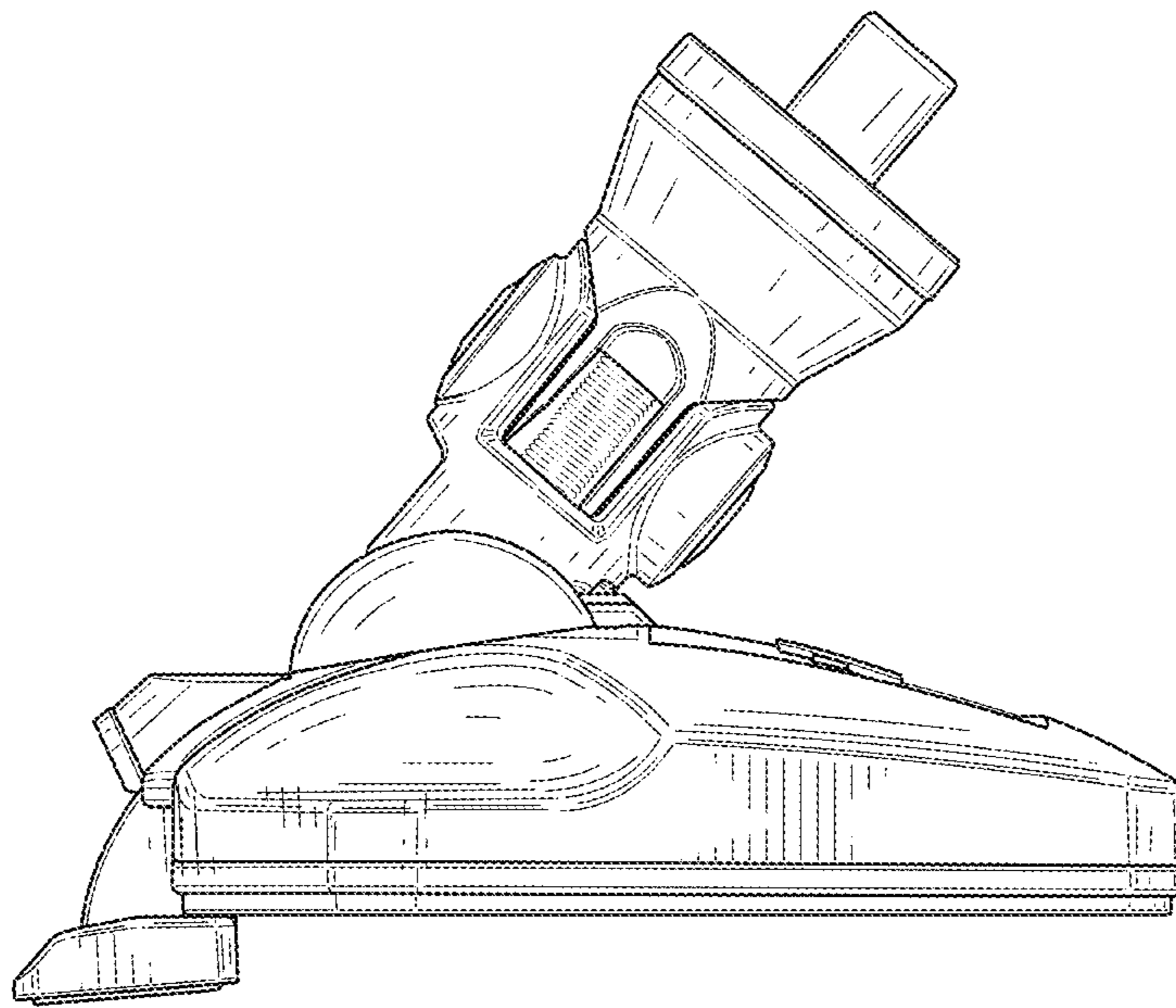


FIG. 3



**FIG. 4**



**FIG. 5**

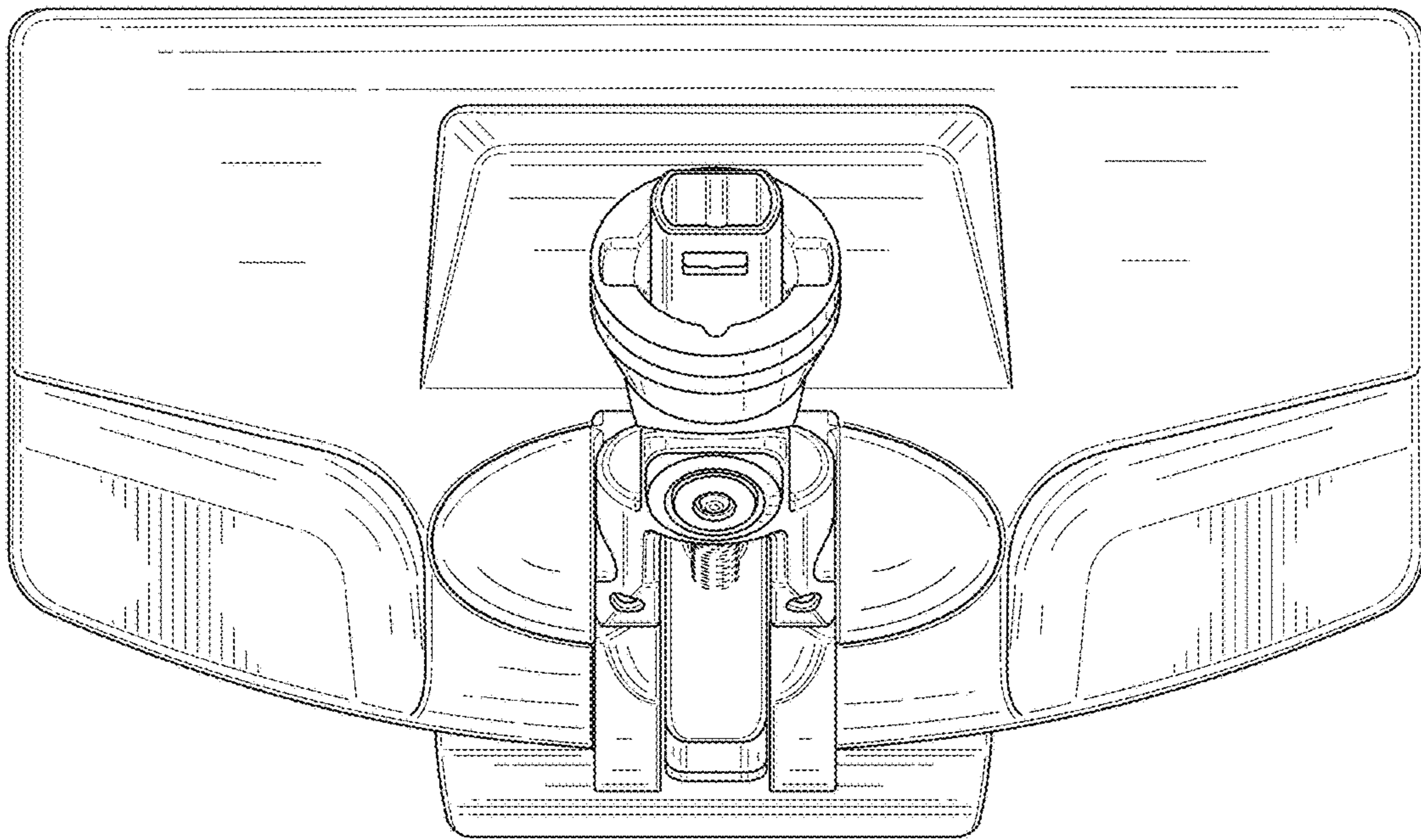


FIG. 6



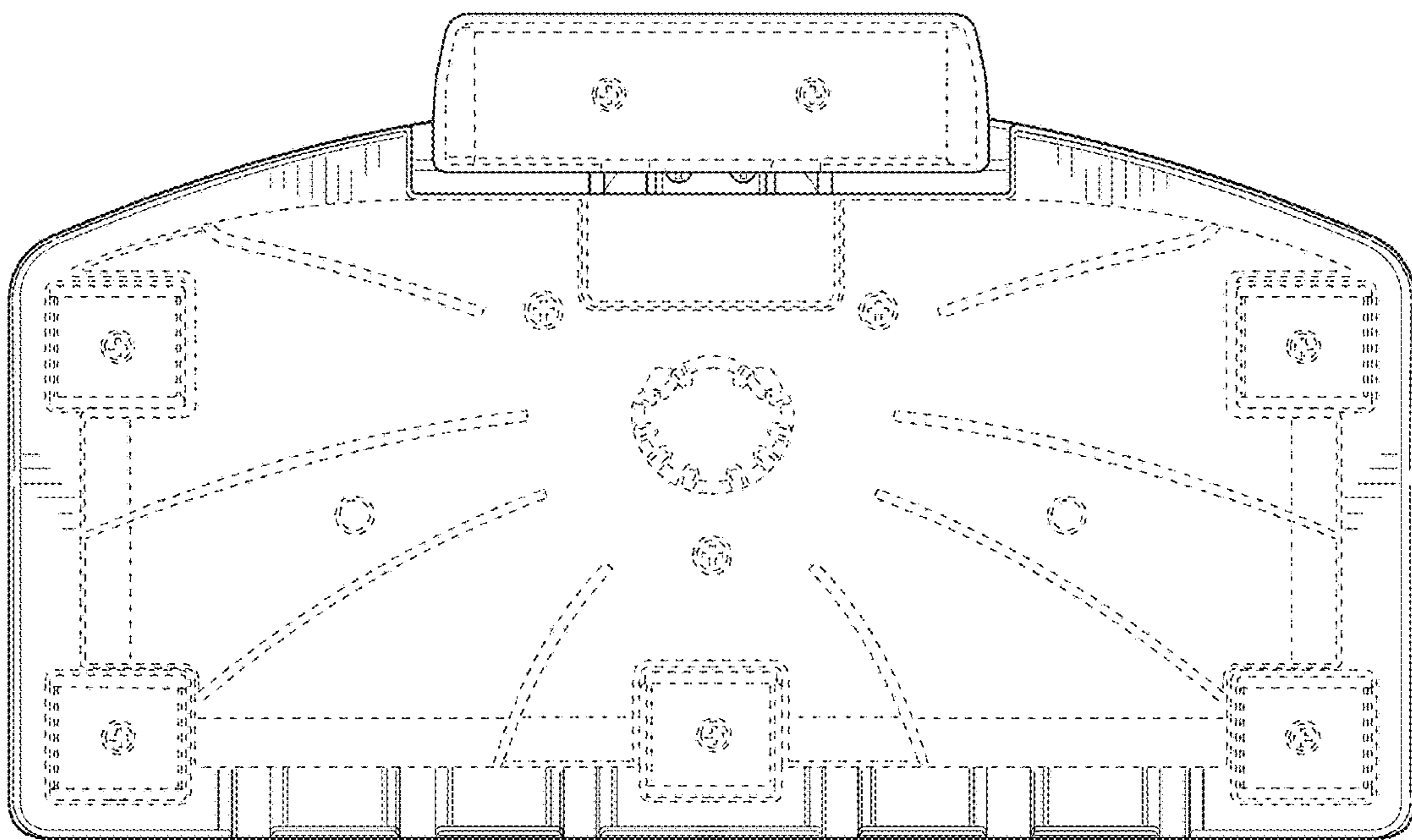


FIG. 7

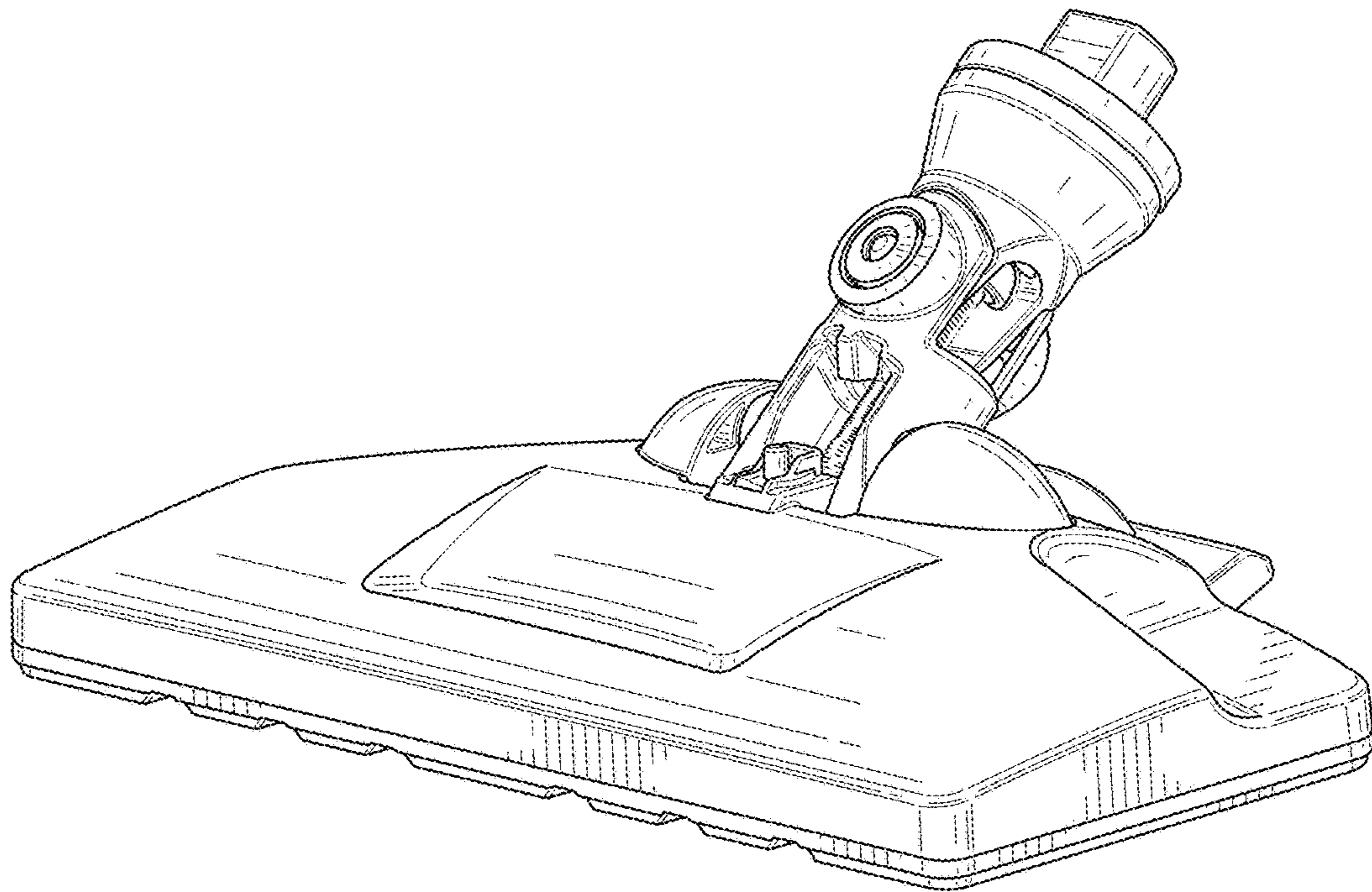


FIG. 8

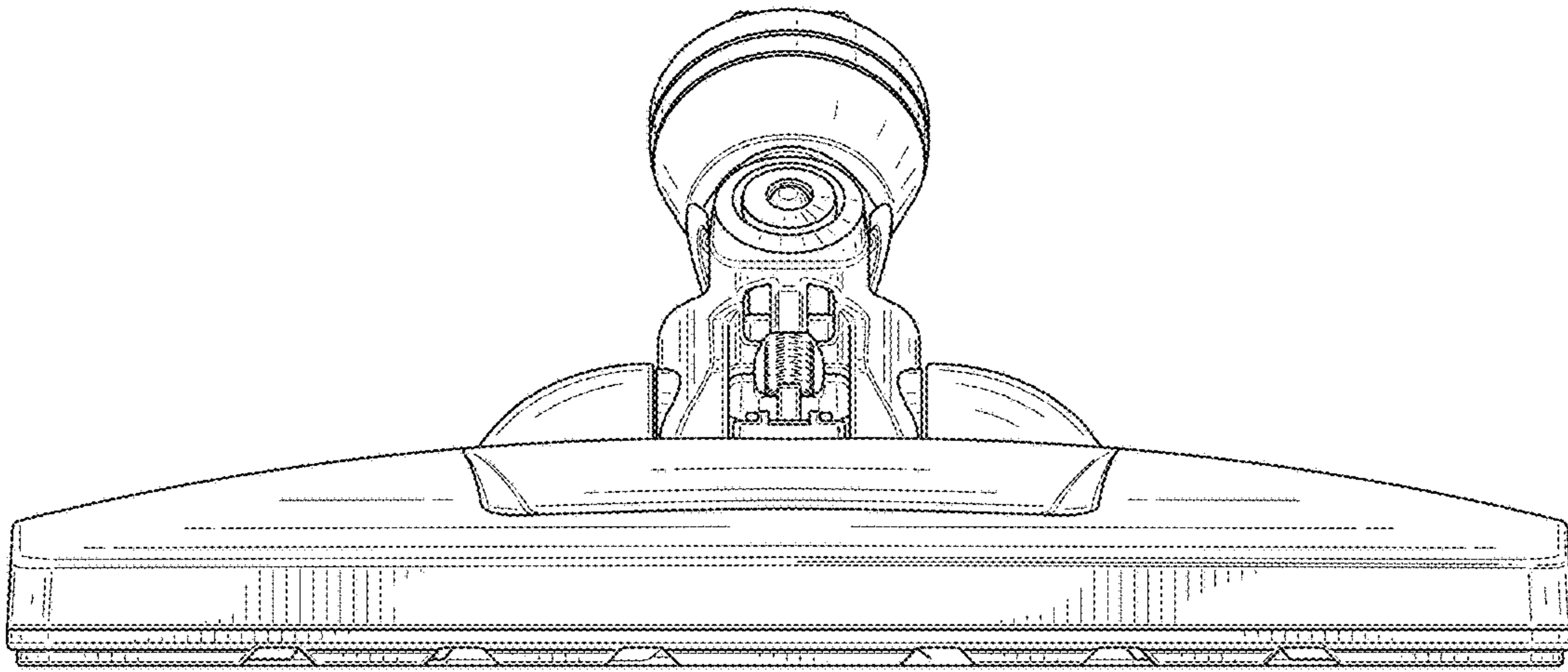
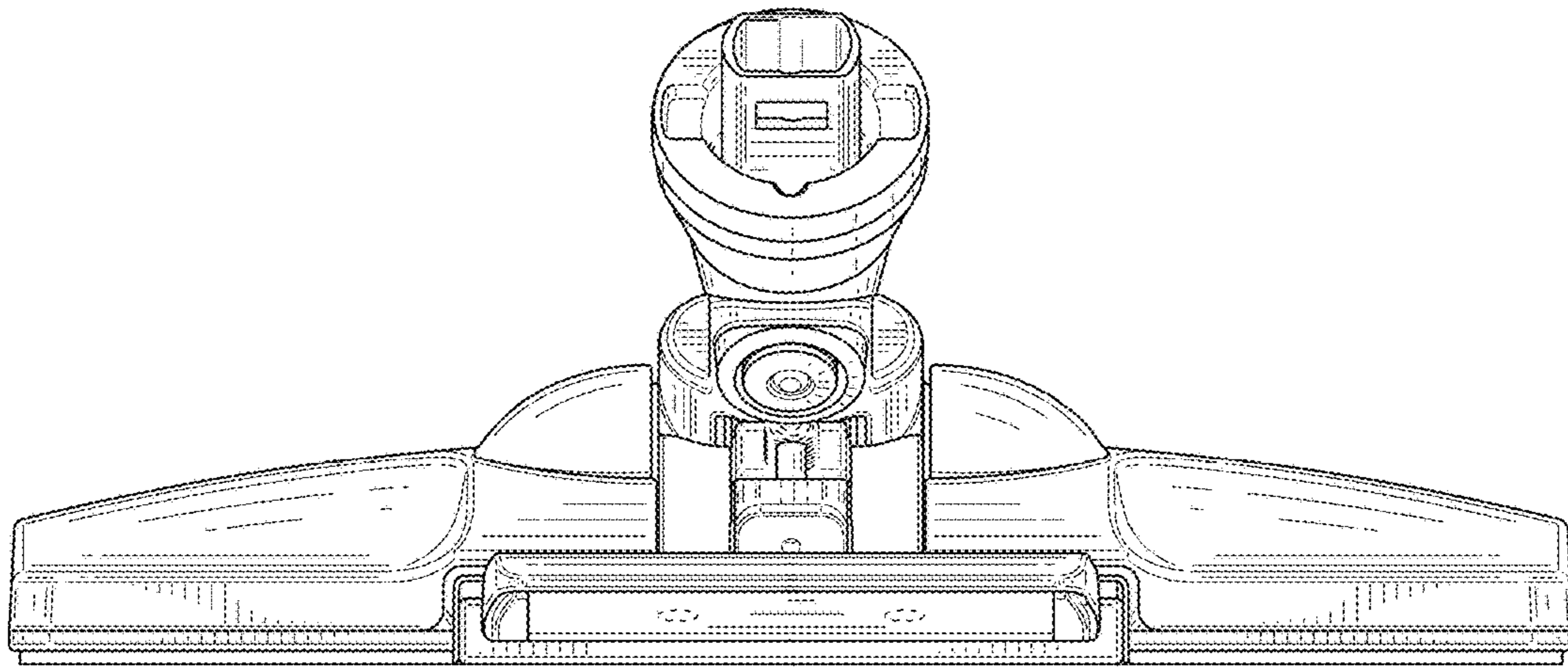
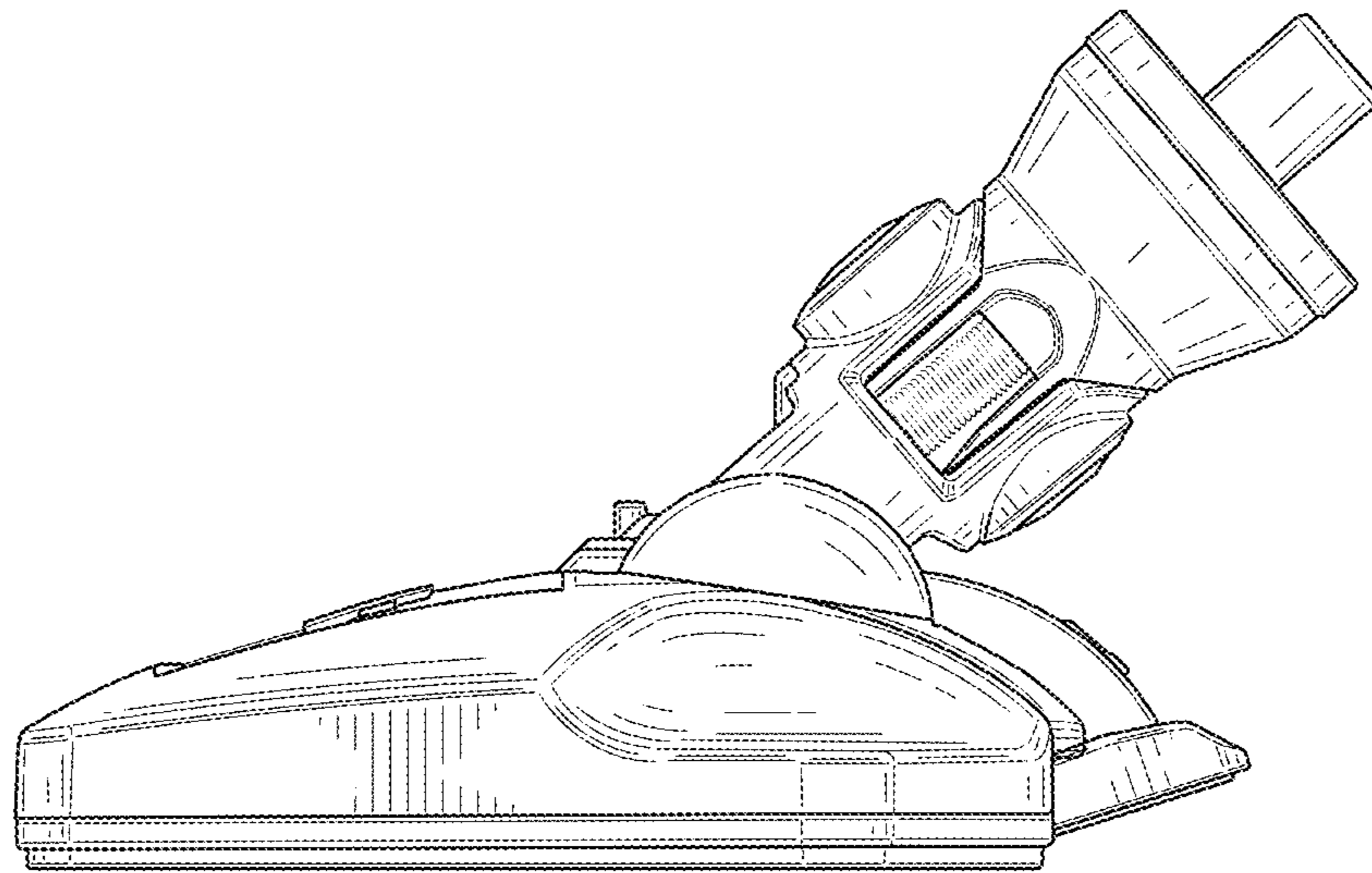


FIG. 9

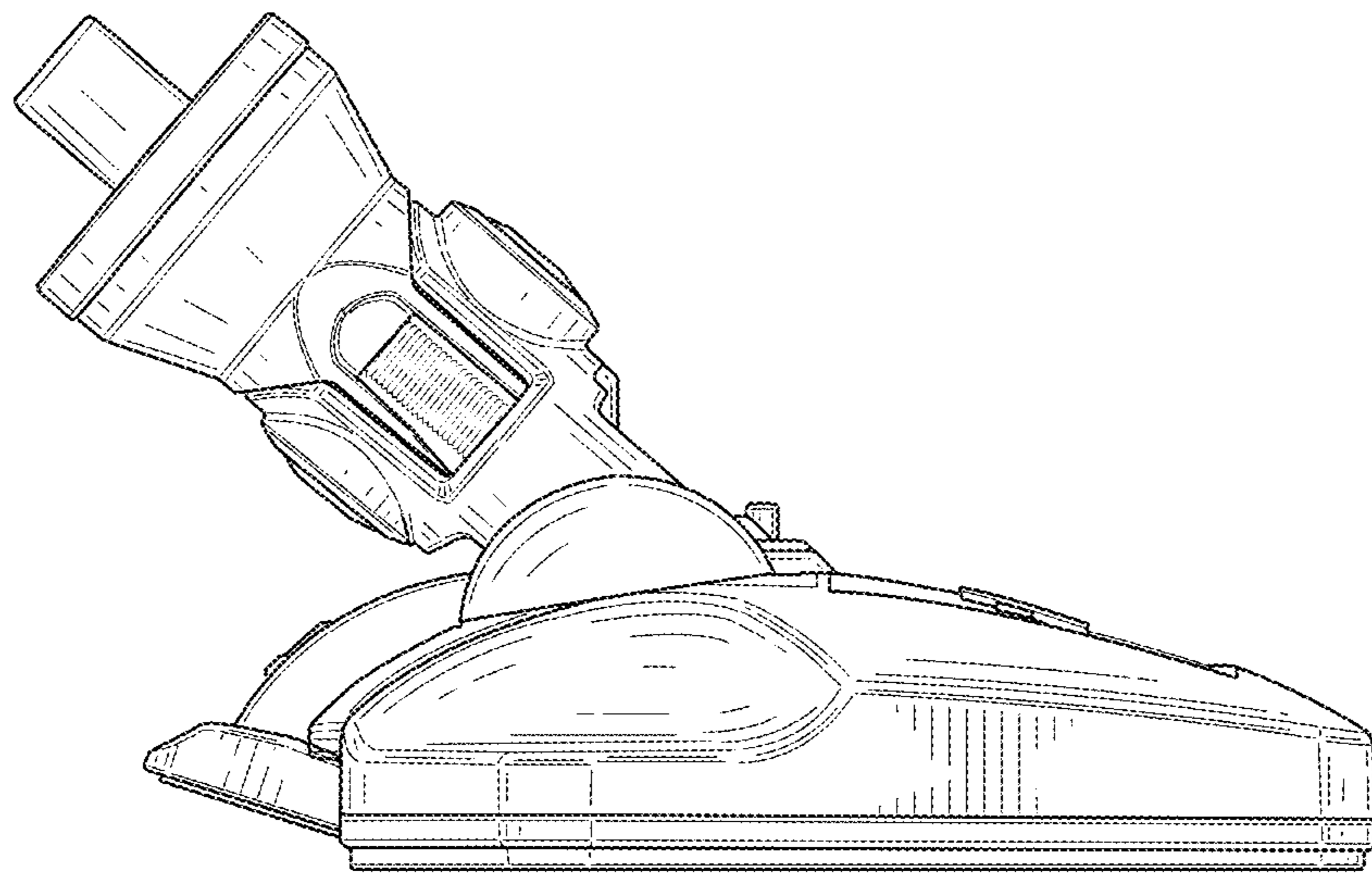


**FIG. 10**



**FIG. 11**





**FIG. 12**

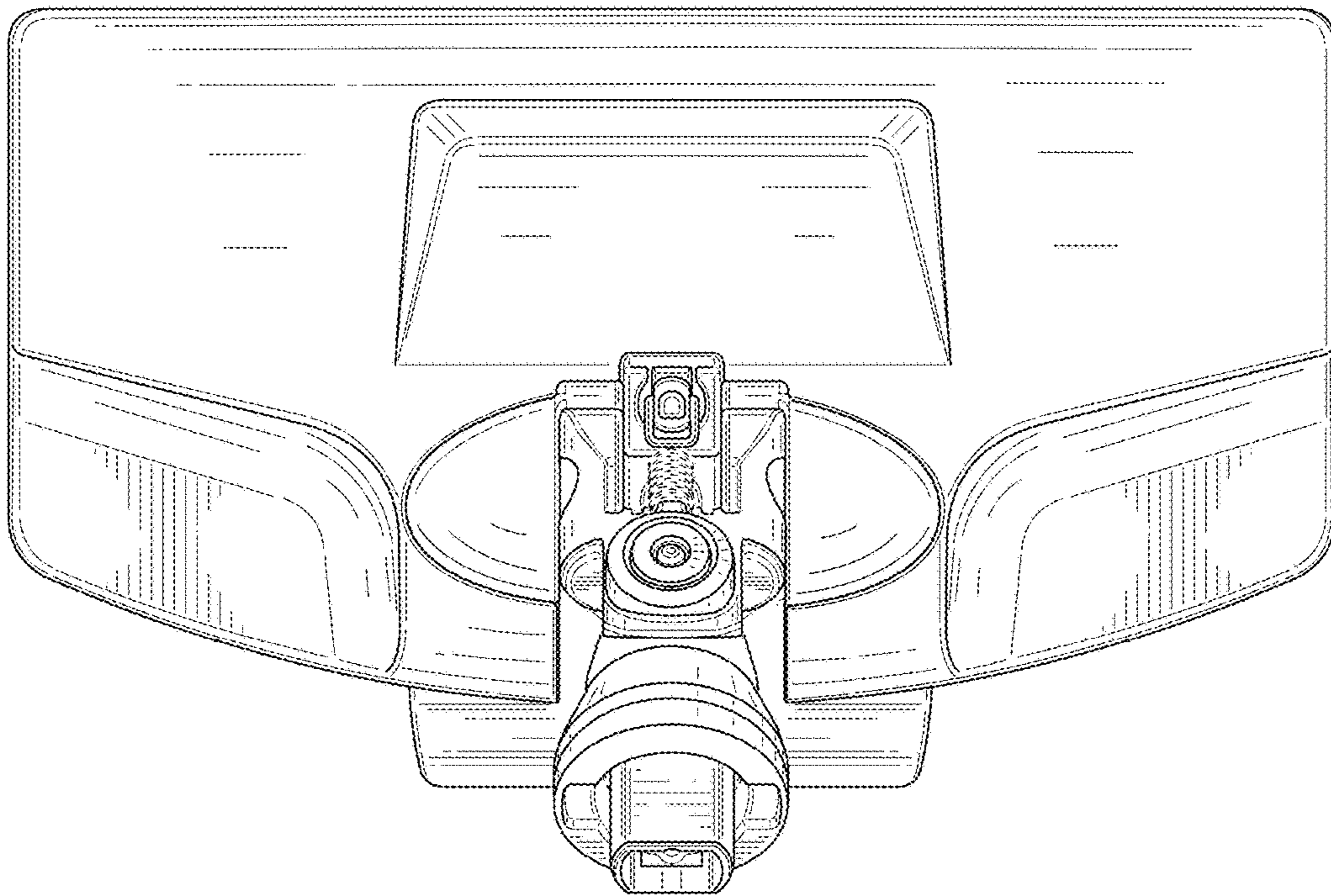


FIG. 13

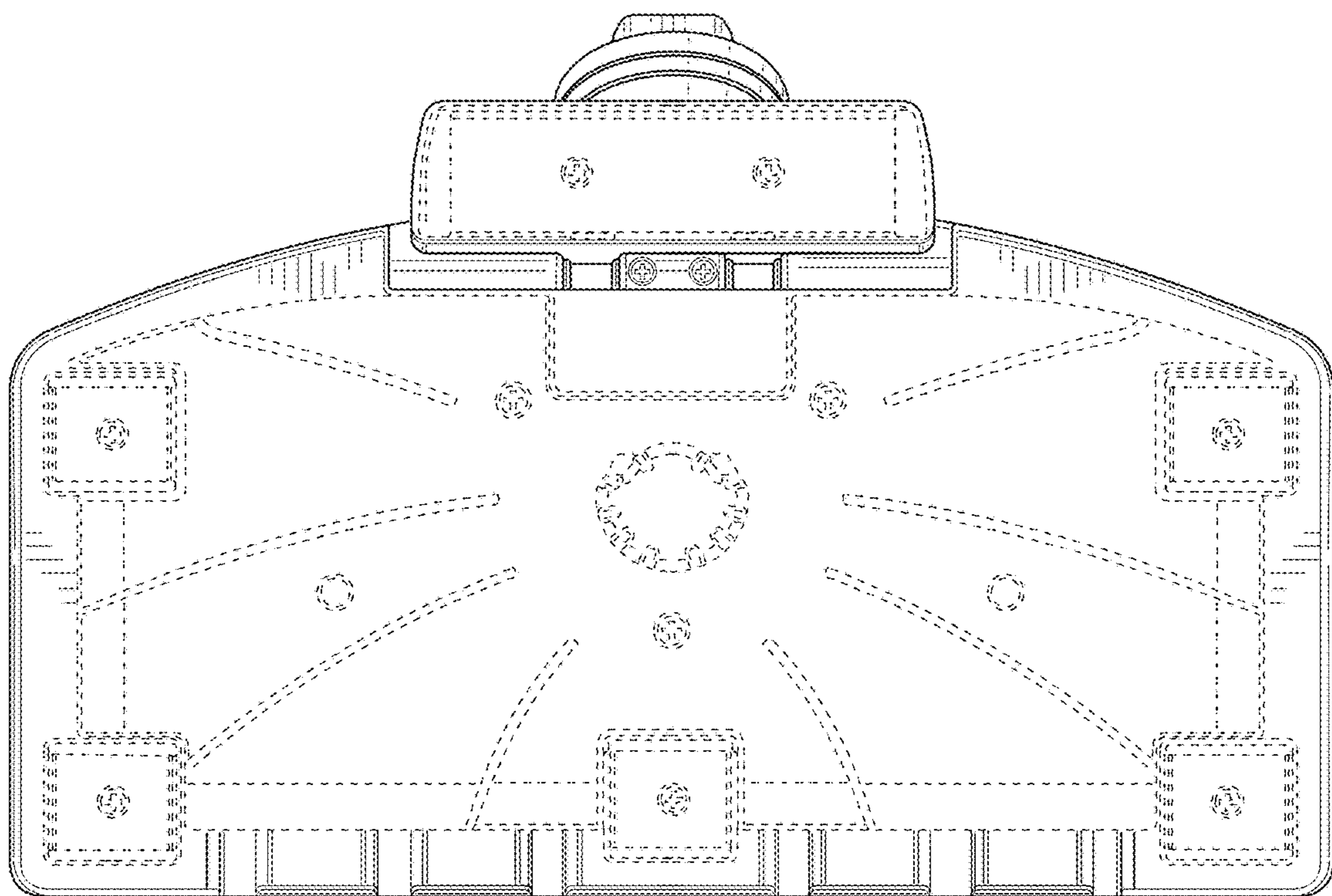


FIG. 14