



US00D829394S

(12) **United States Design Patent**
Lee et al.

(10) **Patent No.:** **US D829,394 S**
(45) **Date of Patent:** **** Sep. 25, 2018**

(54) **BODY FOR VACUUM CLEANER**
(71) Applicant: **SAMSUNG ELECTRONICS CO., LTD.**, Suwon-si, Gyeonggi-do (KR)
(72) Inventors: **Hwandong Lee**, Seoul (KR);
Hyungsub Choi, Goyang-si (KR);
Deoksang Yun, Uiwang-si (KR);
Sangin Lee, Seoul (KR)
(73) Assignee: **SAMSUNG ELECTRONICS CO., LTD.**, Gyeonggi-Do (KR)

8,079,113 B2 * 12/2011 Chong A47L 5/36
15/319
D663,910 S * 7/2012 Crawley D32/18
D670,462 S * 11/2012 Mastio D32/21
8,607,412 B2 * 12/2013 Riley A47L 5/24
15/344
D718,503 S * 11/2014 Jang D32/21
9,101,252 B2 * 8/2015 Conrad A47L 5/362
D747,578 S * 1/2016 Kim D32/31
D749,282 S * 2/2016 Kim D32/18
9,414,726 B2 * 8/2016 Dyson A47L 5/362
D767,833 S * 9/2016 Carter D32/21
D784,634 S * 4/2017 Kim D32/21
D801,605 S * 10/2017 Kim D32/21
D808,097 S * 1/2018 Koyama D32/21

(**) Term: **15 Years**
(21) Appl. No.: **29/587,570**
(22) Filed: **Dec. 14, 2016**

FOREIGN PATENT DOCUMENTS

EM 000056122-0004 7/2003
EM 000257886-0001 11/2004
EM 000516810-0015 4/2006

(30) **Foreign Application Priority Data**

* cited by examiner

Jun. 15, 2016 (KR) 30-2016-0029028

Primary Examiner — Ruth McInroy
(74) *Attorney, Agent, or Firm* — Cantor Colburn LLP

(51) **LOC (11) Cl.** **15-05**
(52) **U.S. Cl.**

(57) **CLAIM**

USPC **D32/21**

We claim the ornamental design for a body for vacuum cleaner, as shown and described.

(58) **Field of Classification Search**
USPC D32/21–24, 31, 34, 17–18
CPC A47L 5/24; A47L 5/22; A47L 5/28; A47L 5/225; A47L 5/362; A47L 5/365; A47L 9/2842; A47L 9/24; A47L 9/248
See application file for complete search history.

DESCRIPTION

(56) **References Cited**

FIG. 1 is the front perspective view of a body for vacuum cleaner showing our new design;
FIG. 2 is the front view thereof;
FIG. 3 is the rear view thereof;
FIG. 4 is the left-side view thereof;
FIG. 5 is the right-side view thereof;
FIG. 6 is the top view thereof;
FIG. 7 is the bottom view thereof; and,
FIG. 8 is the rear perspective view thereof.
The broken lines depict portions of a body for vacuum cleaner that form no part of the claimed design.

U.S. PATENT DOCUMENTS

D147,874 S * 11/1947 Senne D32/24
D417,047 S * 11/1999 Tsuda D32/21
D430,960 S * 9/2000 van der Meyden D32/21
D454,994 S * 3/2002 Harada D32/21
6,536,073 B2 * 3/2003 Uratani A47L 5/362
15/323
D600,416 S * 9/2009 Shin D32/21

1 Claim, 8 Drawing Sheets

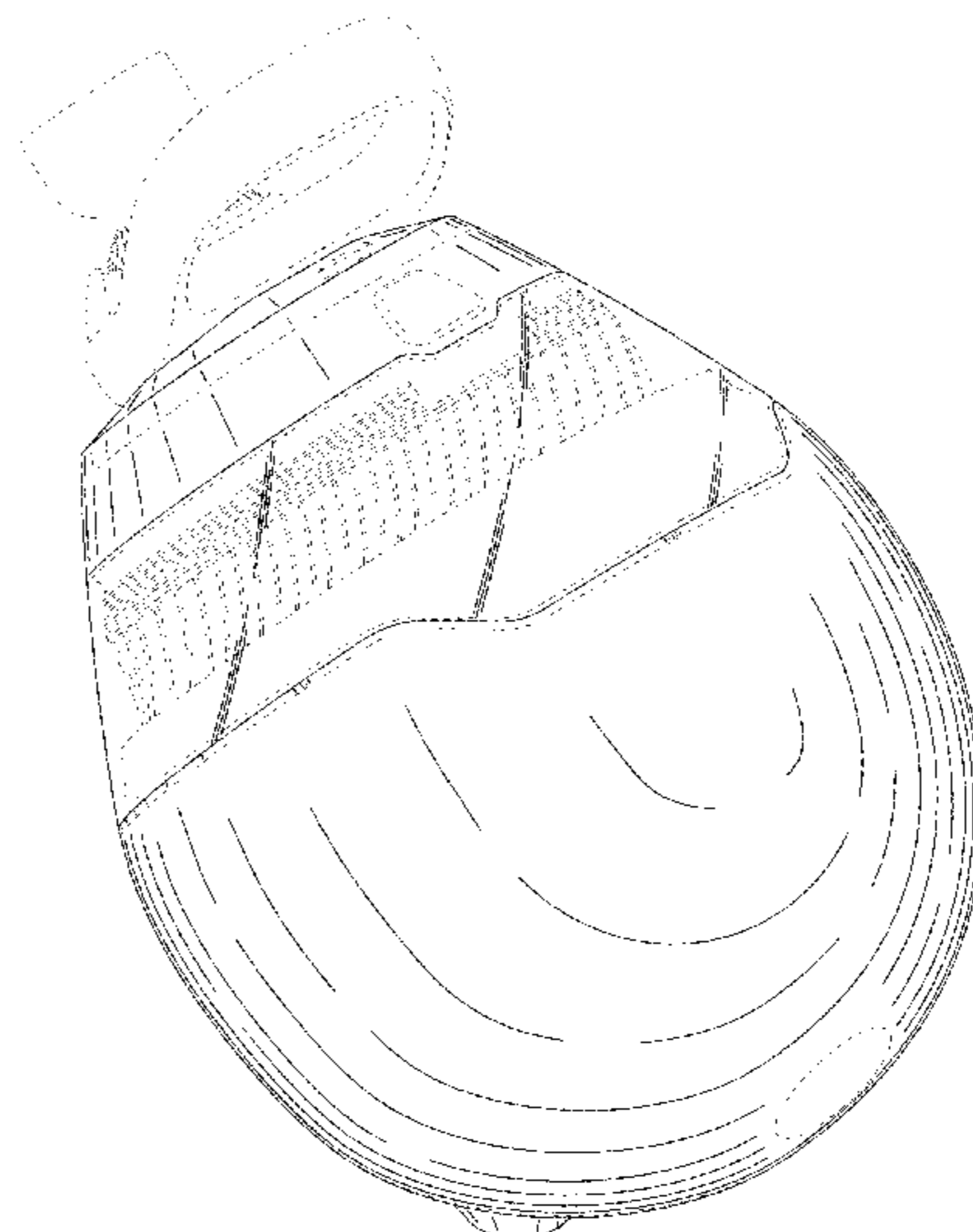
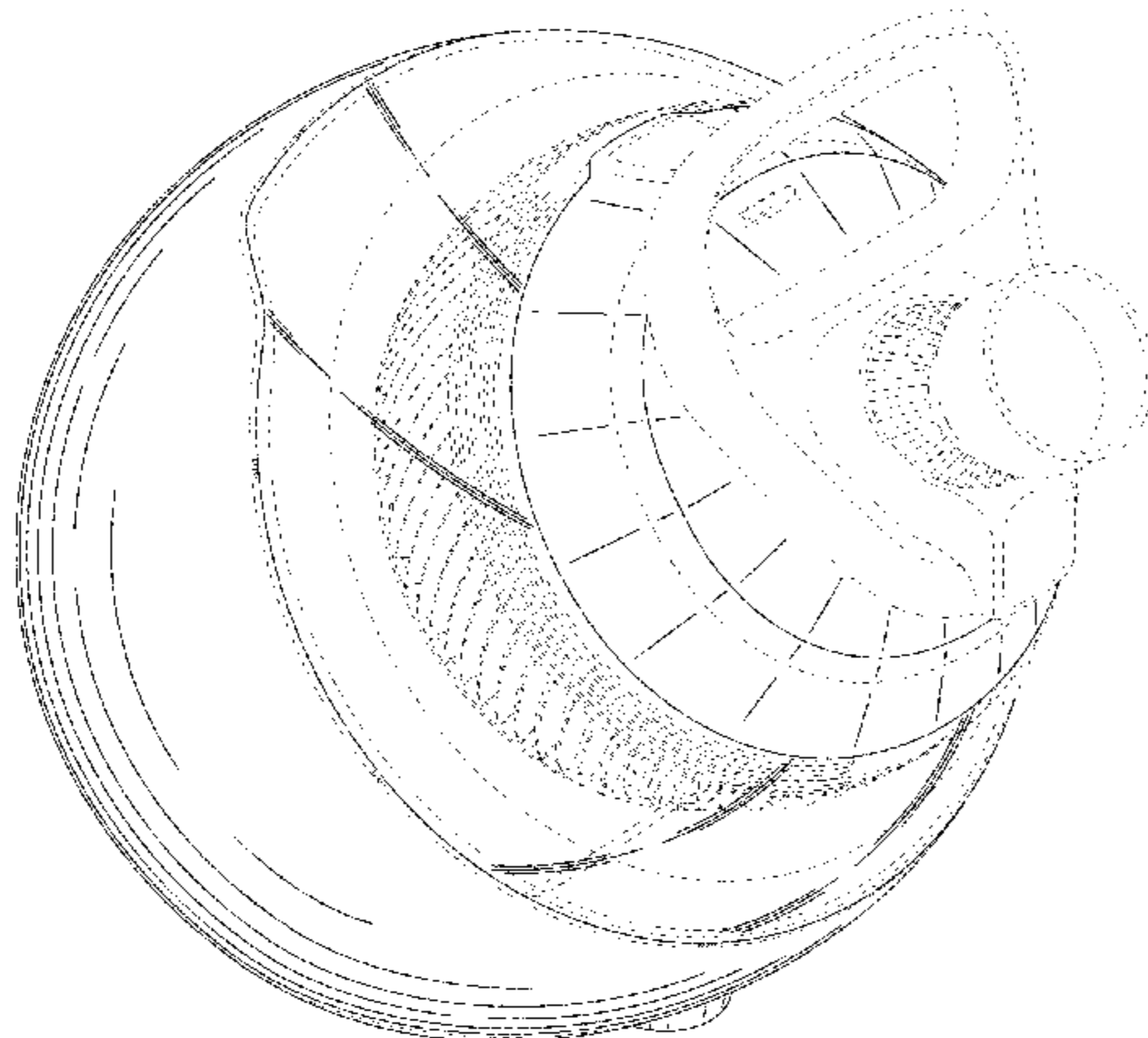


FIG. 1

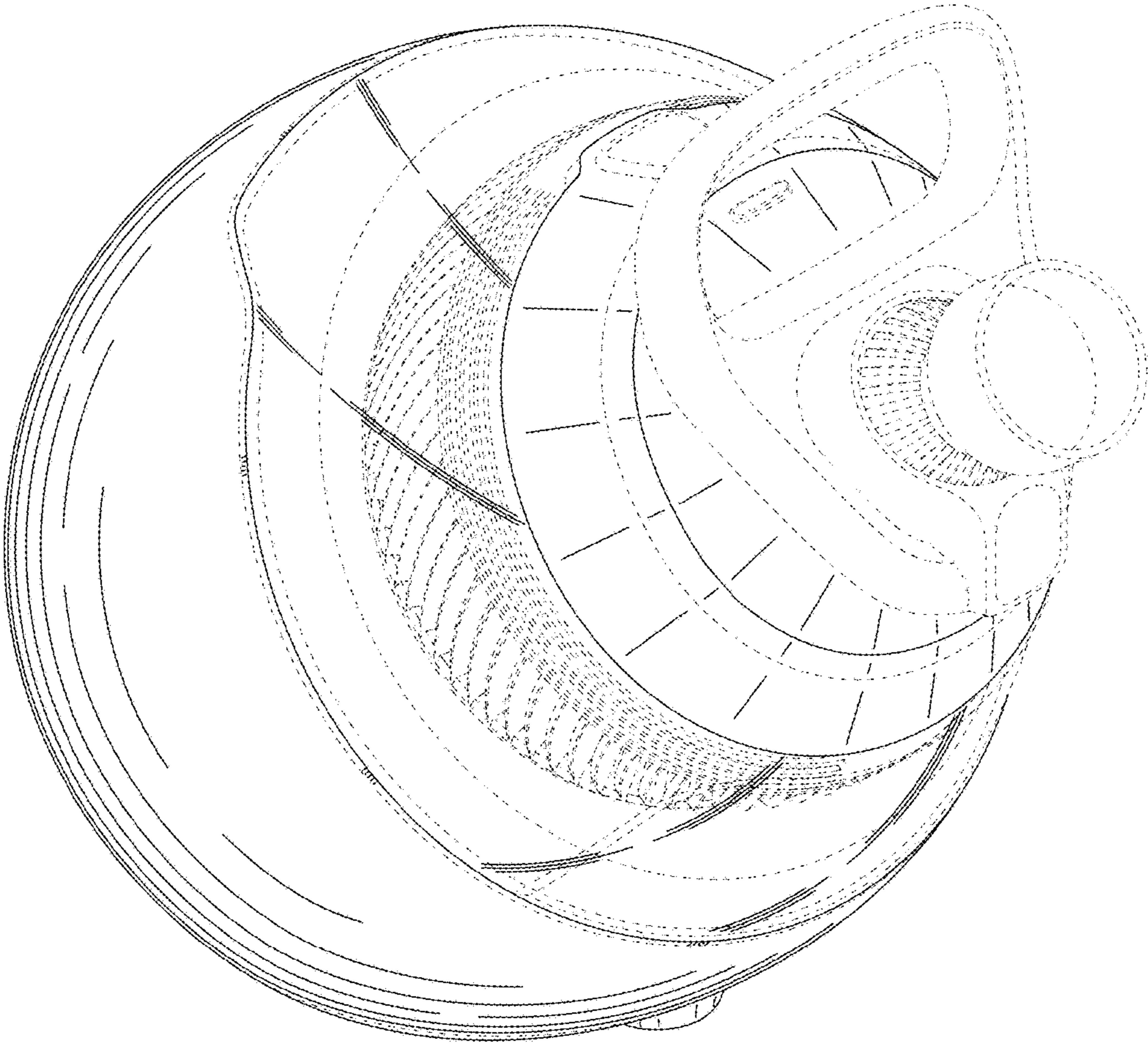


FIG. 2

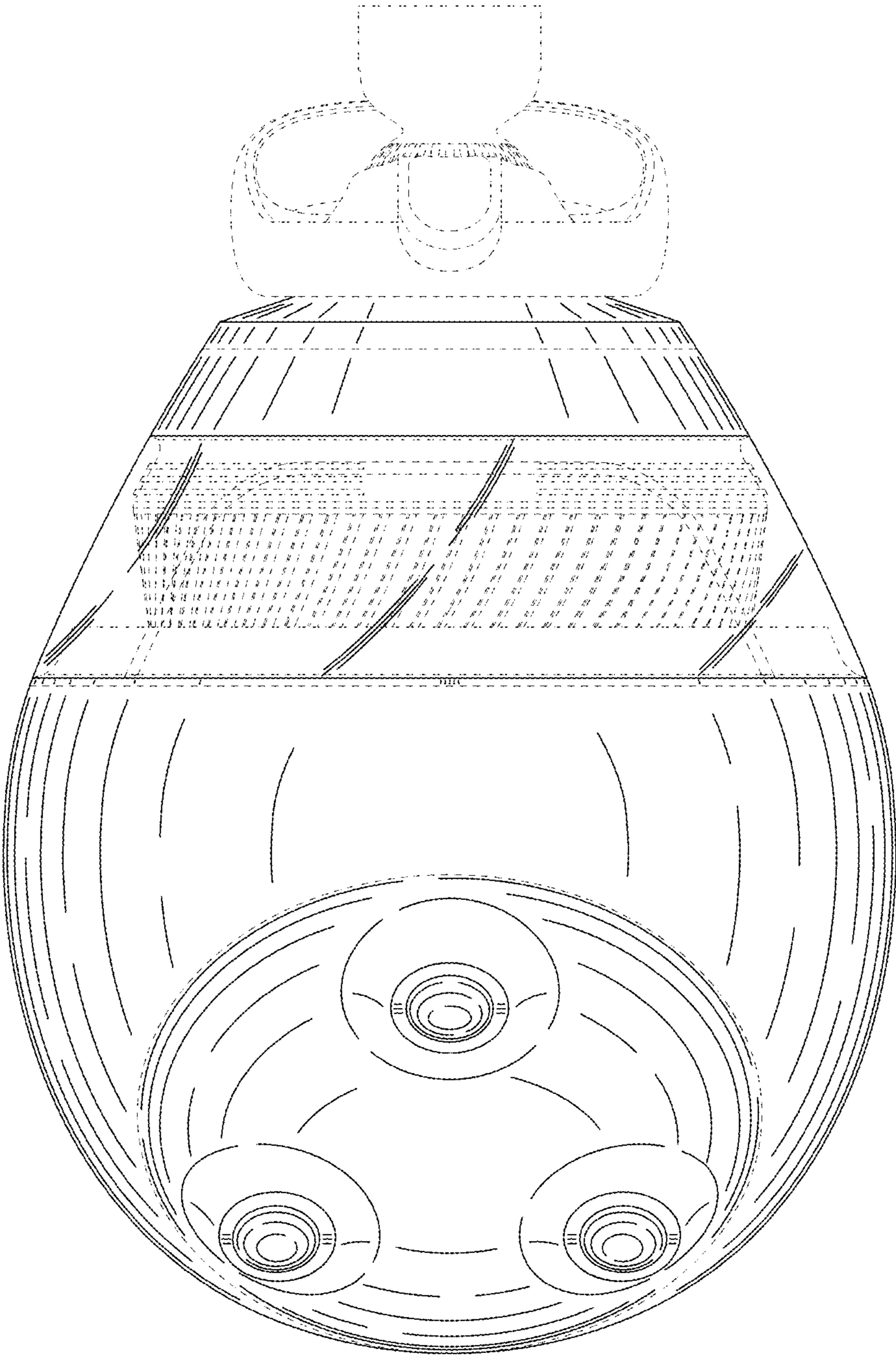


FIG. 3

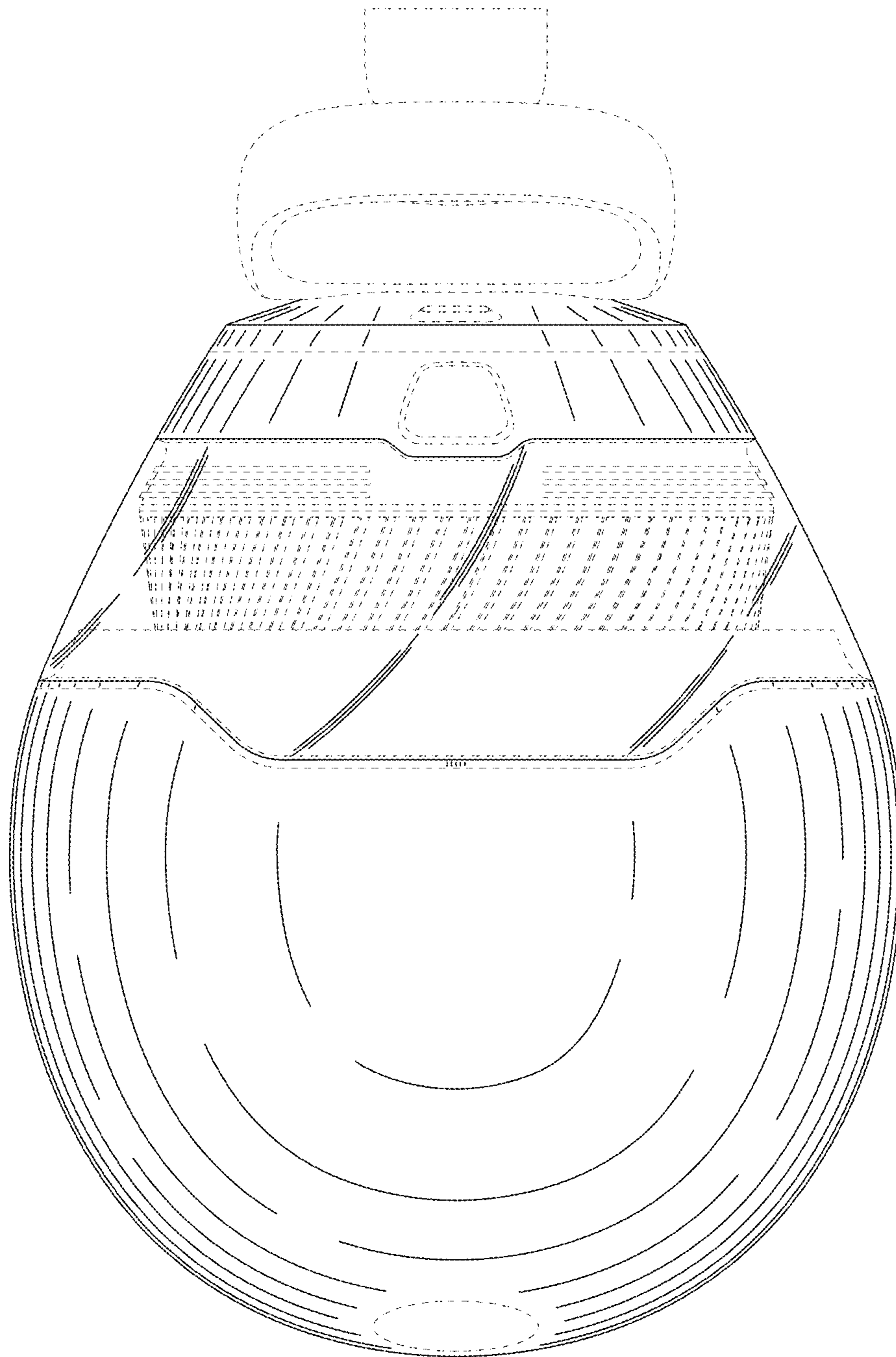


FIG. 4

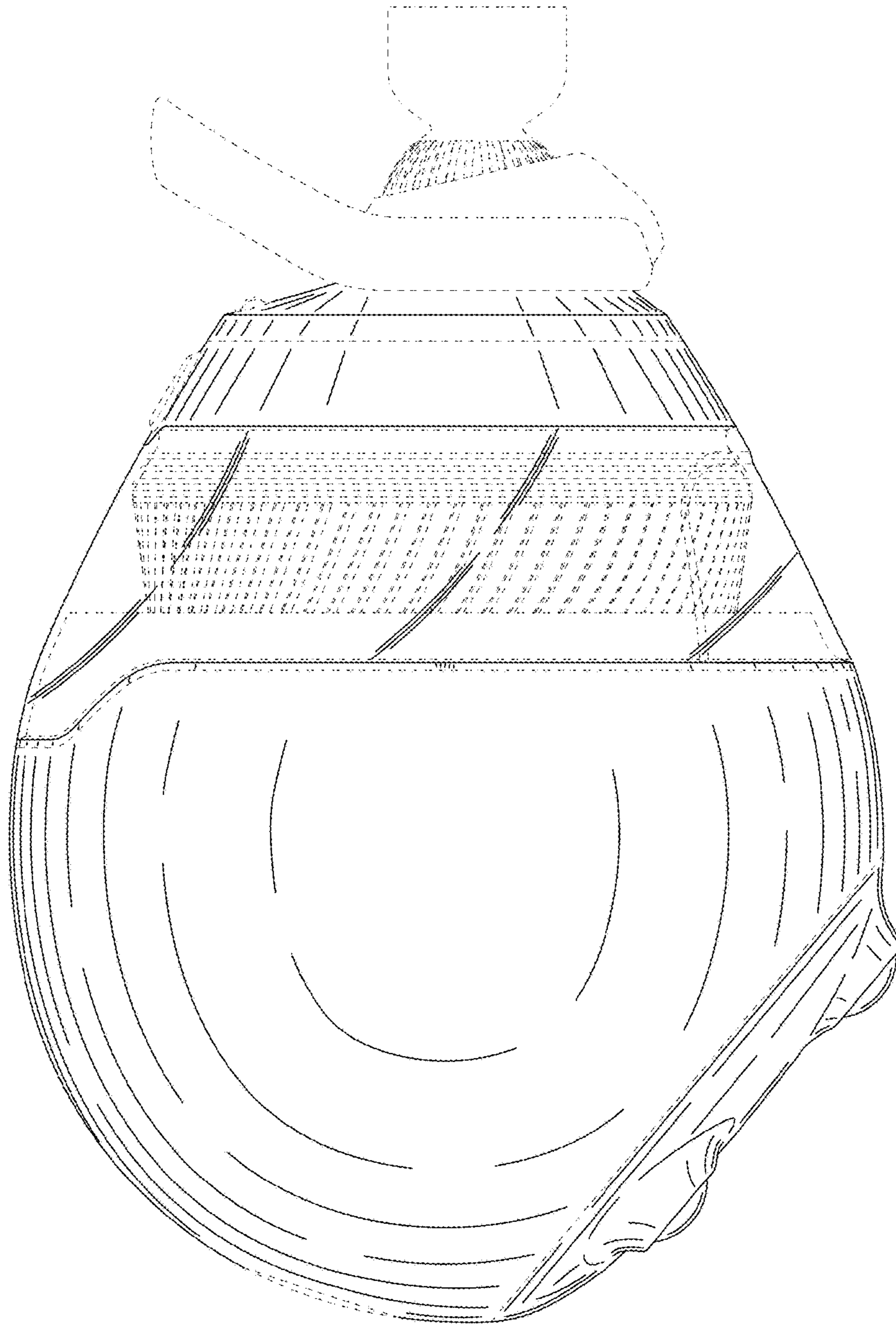


FIG. 5

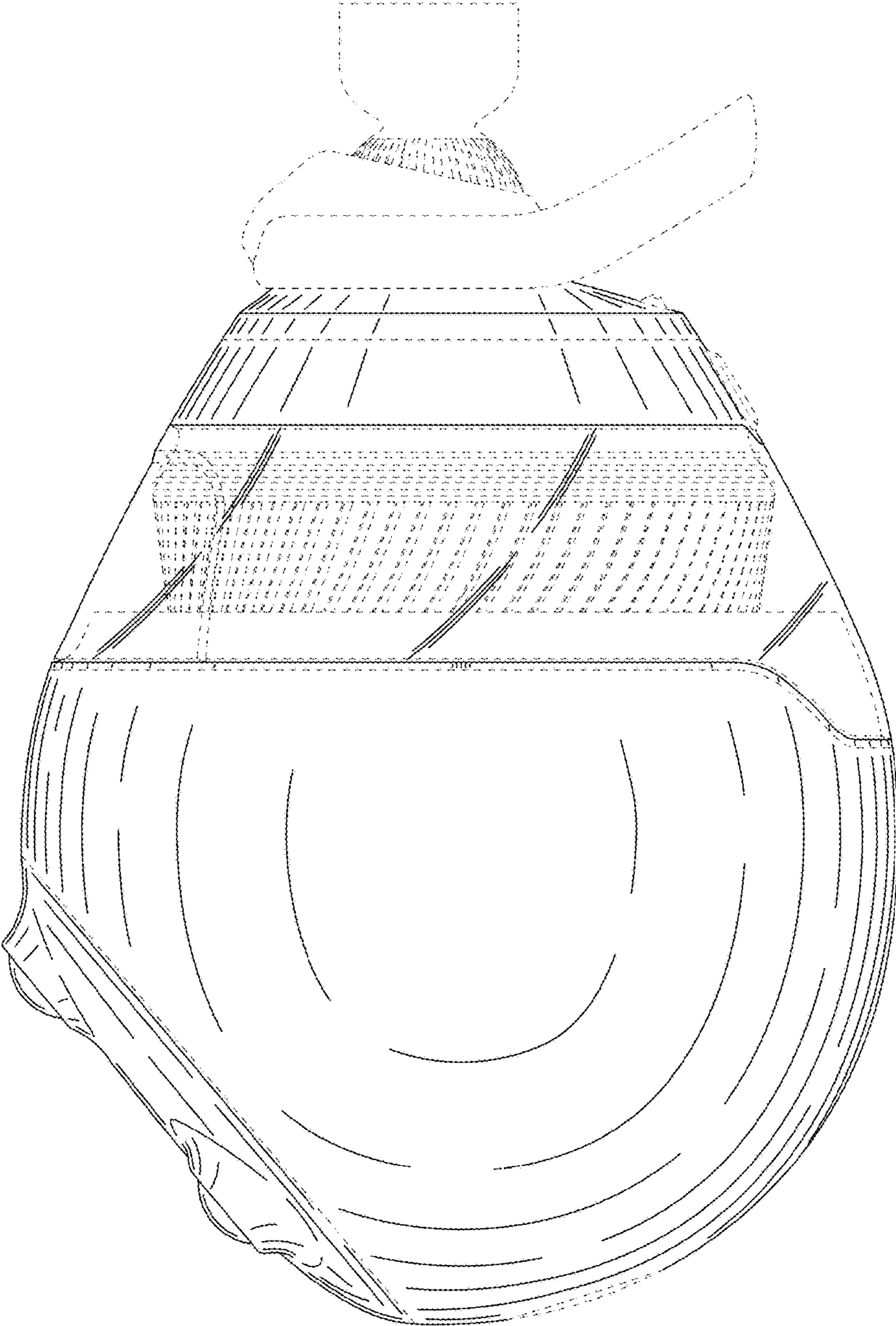


FIG. 6

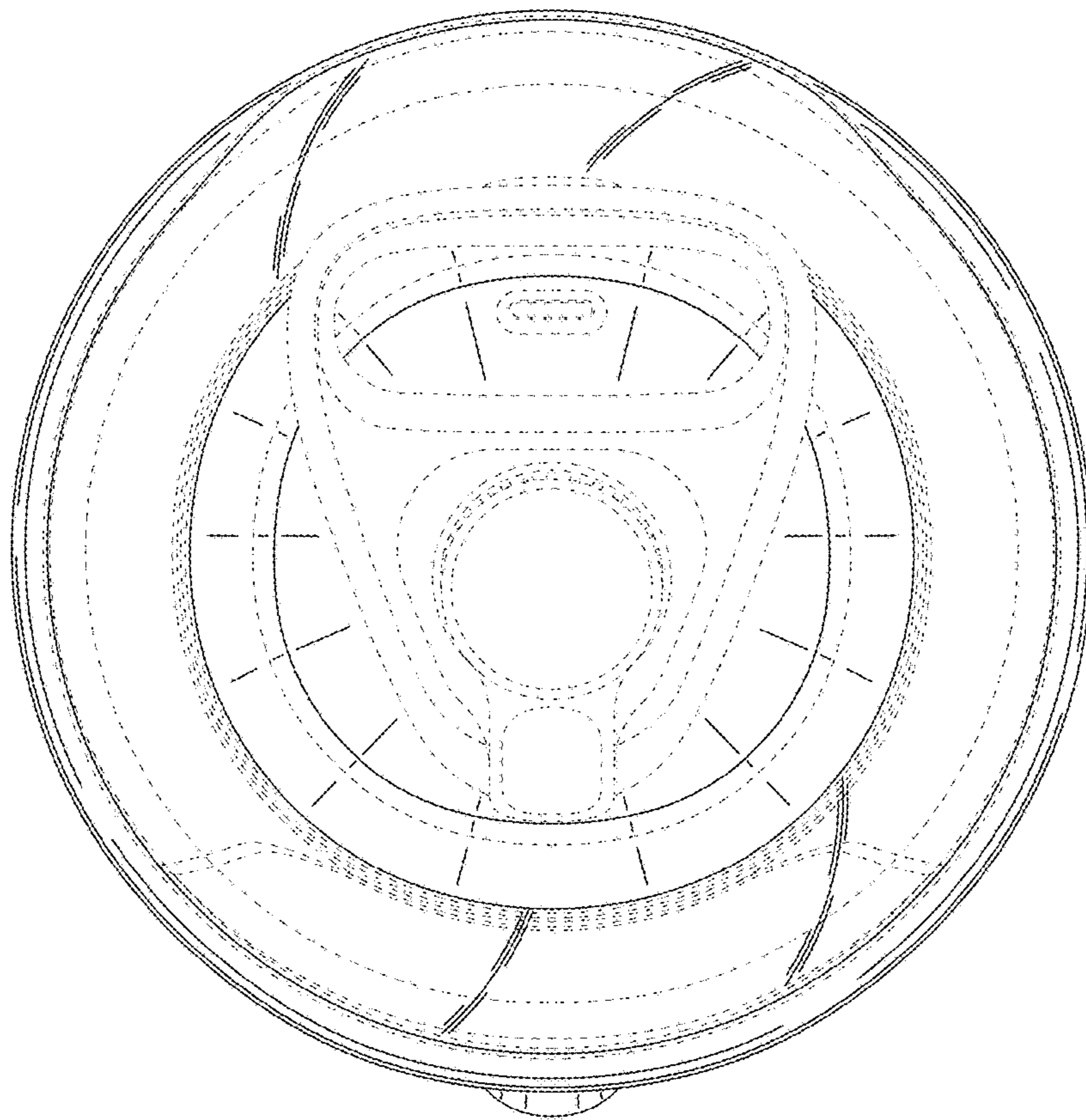


FIG. 7

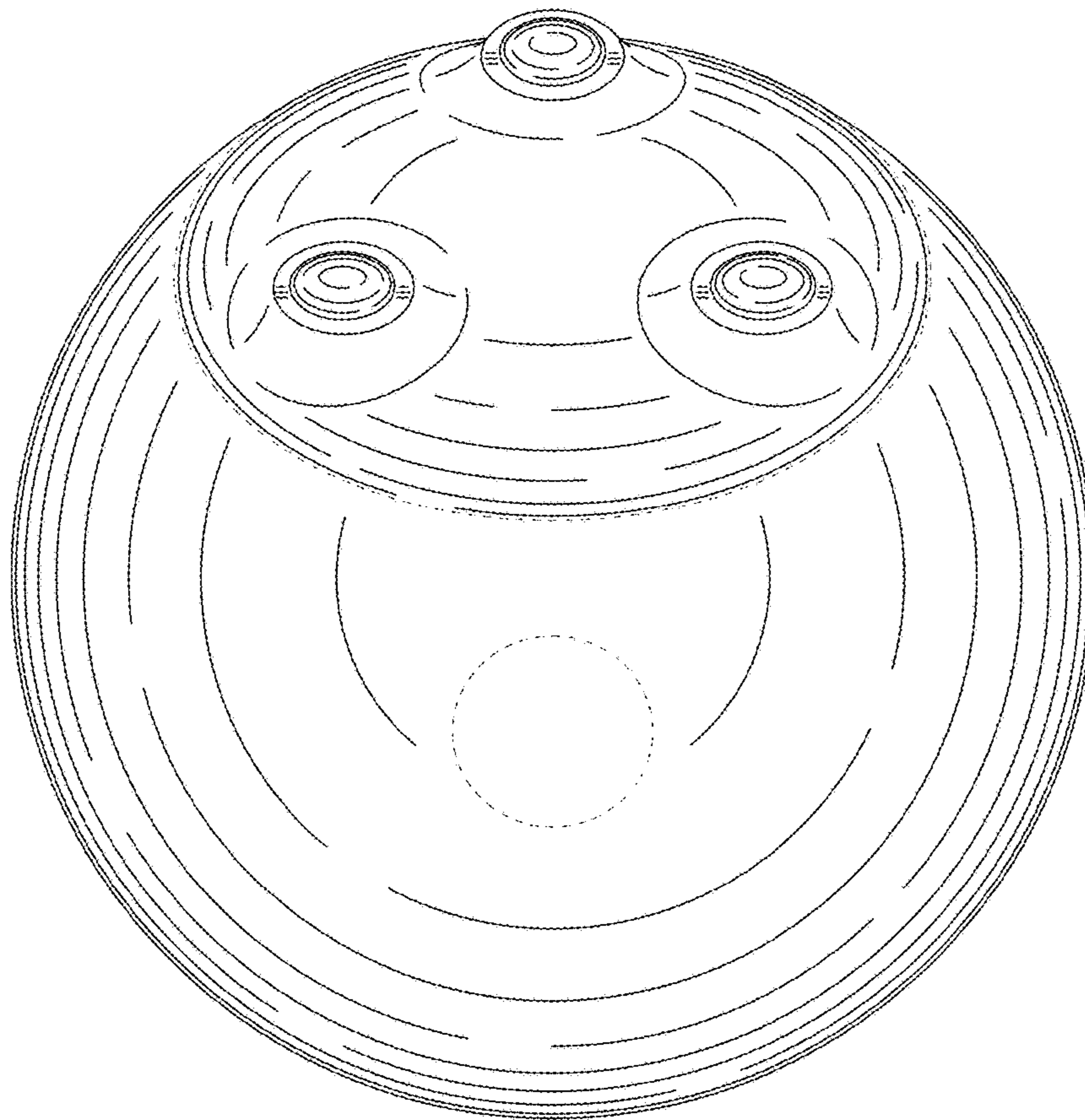


FIG. 8

