



US00D829392S

(12) **United States Design Patent** (10) **Patent No.:** **US D829,392 S**  
**Lane et al.** (45) **Date of Patent:** **\*\* Sep. 25, 2018**

(54) **BLOWER**  
(71) Applicant: **HUSQVARNA AB**, Huskvarna (SE)  
(72) Inventors: **Ernest Lane**, Denver, NC (US); **Eric Tse**, Charlotte, NC (US)  
(73) Assignee: **HUSQVARNA AB**, Huskvarna (SE)  
(\*\*) Term: **15 Years**  
(21) Appl. No.: **29/607,050**  
(22) Filed: **Jun. 9, 2017**  
(51) **LOC (11) Cl.** ..... **15-05**  
(52) **U.S. Cl.**  
USPC ..... **D32/15**  
(58) **Field of Classification Search**  
USPC .... D32/1, 15-19, 21, 25; D15/11, 12, 5, 17;  
D23/213, 383  
CPC ... A47L 5/14; A47L 9/32; A01G 1/125; F04B  
17/00; F04B 35/04  
See application file for complete search history.

D497,692 S \* 10/2004 Nawrozki ..... D32/15  
D498,885 S \* 11/2004 Robson ..... D32/15  
D529,243 S \* 9/2006 Noma ..... D32/15  
D538,984 S \* 3/2007 King ..... D32/15  
D556,395 S \* 11/2007 Martin ..... D32/15  
D558,939 S \* 1/2008 Yuasa ..... D32/15  
D569,055 S \* 5/2008 Bochmann ..... D32/15  
D584,461 S \* 1/2009 Sweeney ..... D32/15  
D591,916 S \* 5/2009 Kosugi ..... D32/15  
D594,961 S \* 6/2009 Tinius ..... D23/383  
D605,819 S \* 12/2009 Tinius ..... D32/15  
D615,716 S \* 5/2010 Tinius ..... D32/15  
D637,774 S \* 5/2011 Li ..... D32/15  
D638,035 S \* 5/2011 Kosugi ..... D15/5  
D656,370 S \* 3/2012 Tinius ..... D8/8  
D668,822 S \* 10/2012 Tinius ..... D32/15  
D704,908 S \* 5/2014 Cui ..... D32/15  
D729,999 S \* 5/2015 Aoi ..... D15/12

(Continued)

*Primary Examiner* — Michelle E. Wilson  
(74) *Attorney, Agent, or Firm* — McNair Law Firm, P.A.

(57) **CLAIM**

The ornamental design for an blower, as shown and described.

**DESCRIPTION**

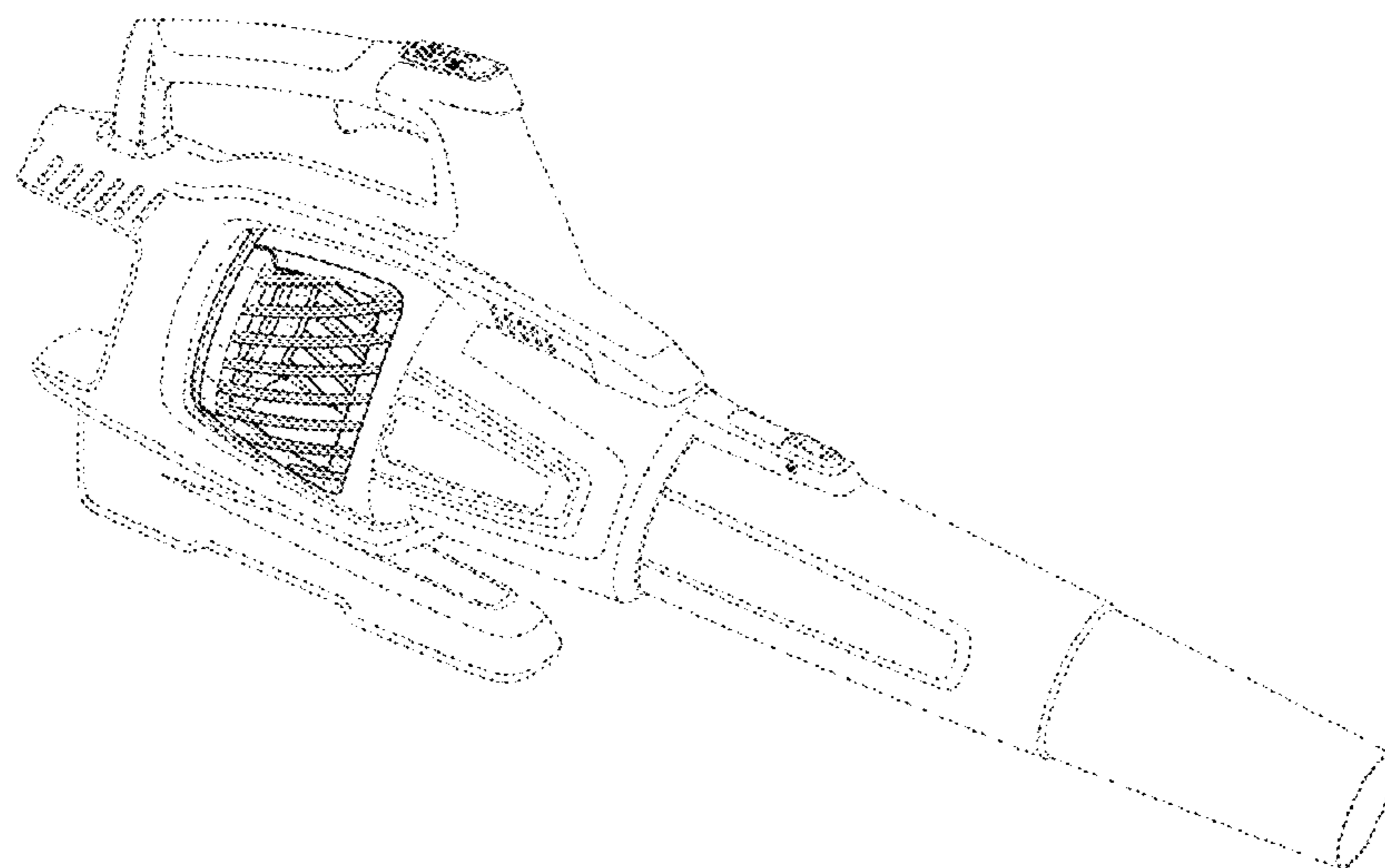
FIG. 1 is a perspective front view of a blower in accordance with an embodiment of the present invention; FIG. 2 is a perspective rear view of the blower of FIG. 1; FIG. 3 is a front view of the blower of FIG. 1; FIG. 4 is a rear view of the blower of FIG. 1; FIG. 5 is a left side view of the blower of FIG. 1; FIG. 6 is a right side view of the blower of FIG. 1; FIG. 7 is a top view of the blower of FIG. 1; and, FIG. 8 is a perspective view of the blower of FIG. 1 with a battery pack installed. The broken lines of the blower in FIGS. 1-8 are illustrative of the visible environmental structure of the blower and form no part of the claimed design.

**1 Claim, 8 Drawing Sheets**

(56) **References Cited**

U.S. PATENT DOCUMENTS

D258,908 S \* 4/1981 Satoh ..... 417/234  
4,269,571 A \* 5/1981 Shikutani ..... A47L 5/14  
15/405  
4,288,886 A \* 9/1981 Siegler ..... A47L 5/14  
15/330  
5,035,586 A \* 7/1991 Sadler ..... A47L 5/14  
417/363  
D322,971 S \* 1/1992 Tuggle ..... D15/13  
D359,603 S \* 6/1995 Rakocy ..... D32/15  
D363,149 S \* 10/1995 Franke ..... D15/17  
D400,322 S \* 10/1998 Webster ..... D32/15  
D431,697 S \* 10/2000 Hayakawa ..... D32/15  
D461,604 S \* 8/2002 Martin ..... D32/15  
D469,931 S \* 2/2003 Nawrozki ..... D32/15  
D480,844 S \* 10/2003 Noma ..... D32/15



(56)

**References Cited**

U.S. PATENT DOCUMENTS

D735,960	S	*	8/2015	Zhang	.....	D32/15
D742,603	S	*	11/2015	Tschopp	.....	D15/12
D746,004	S	*	12/2015	Murray	.....	D15/12
D747,050	S	*	1/2016	Martin	.....	D32/15
D748,876	S	*	2/2016	Carl	.....	D15/12
D748,877	S	*	2/2016	Tirone	.....	D15/12

\* cited by examiner

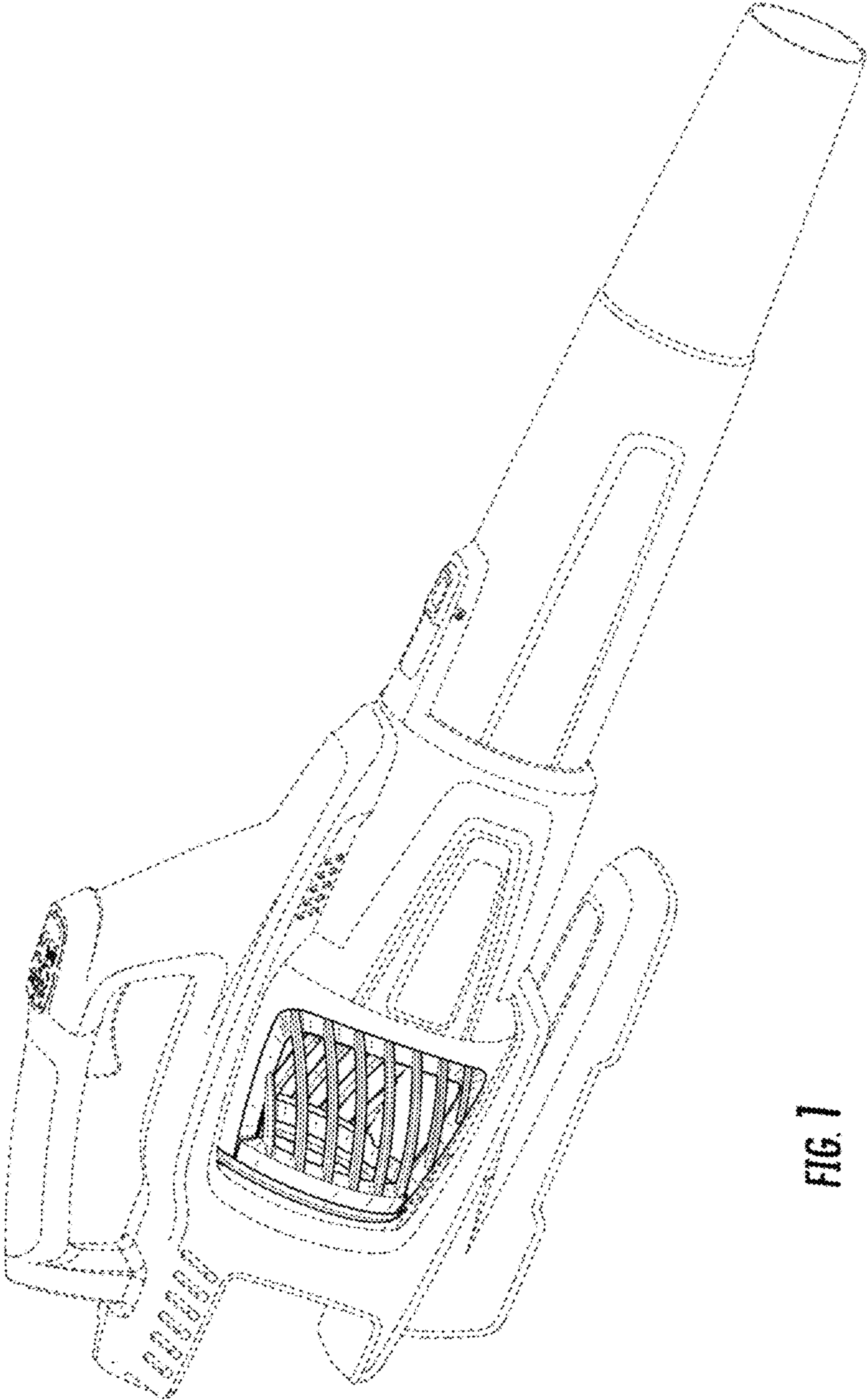


FIG. 1

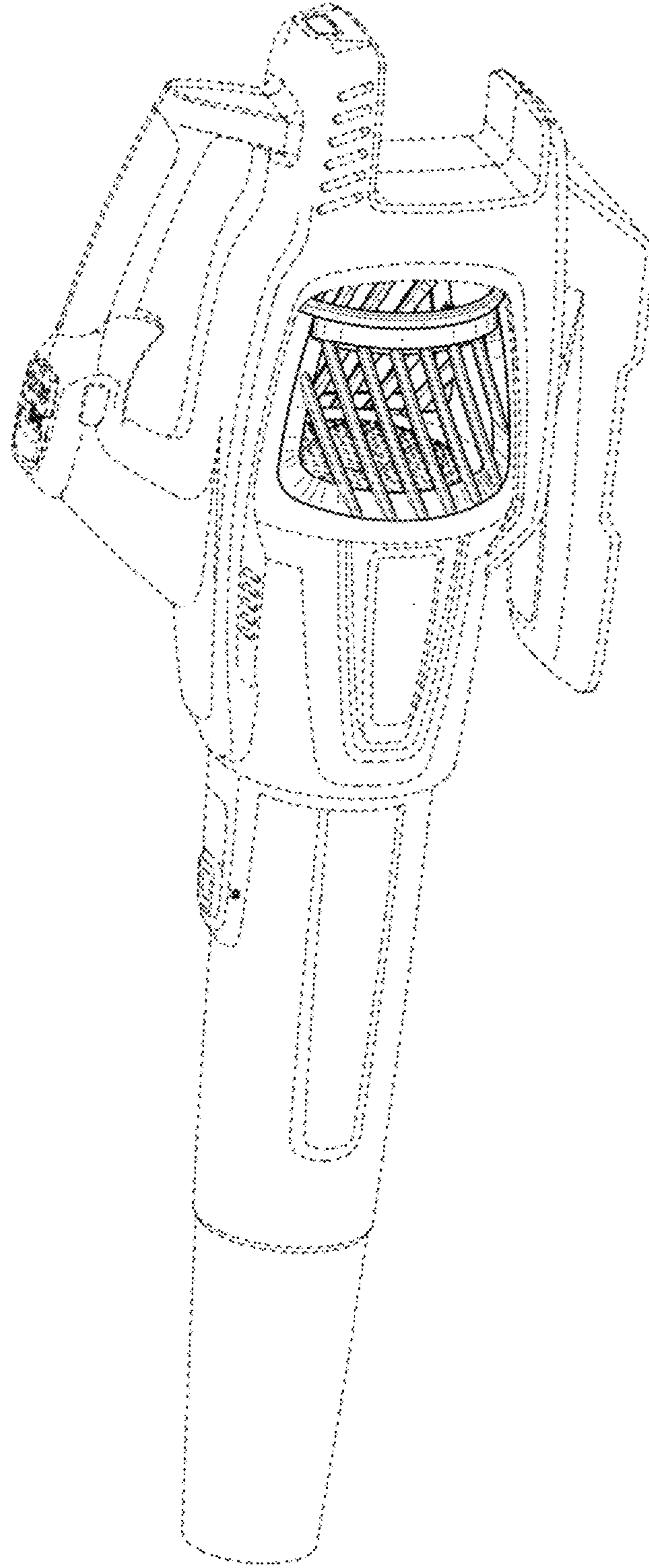


FIG. 2



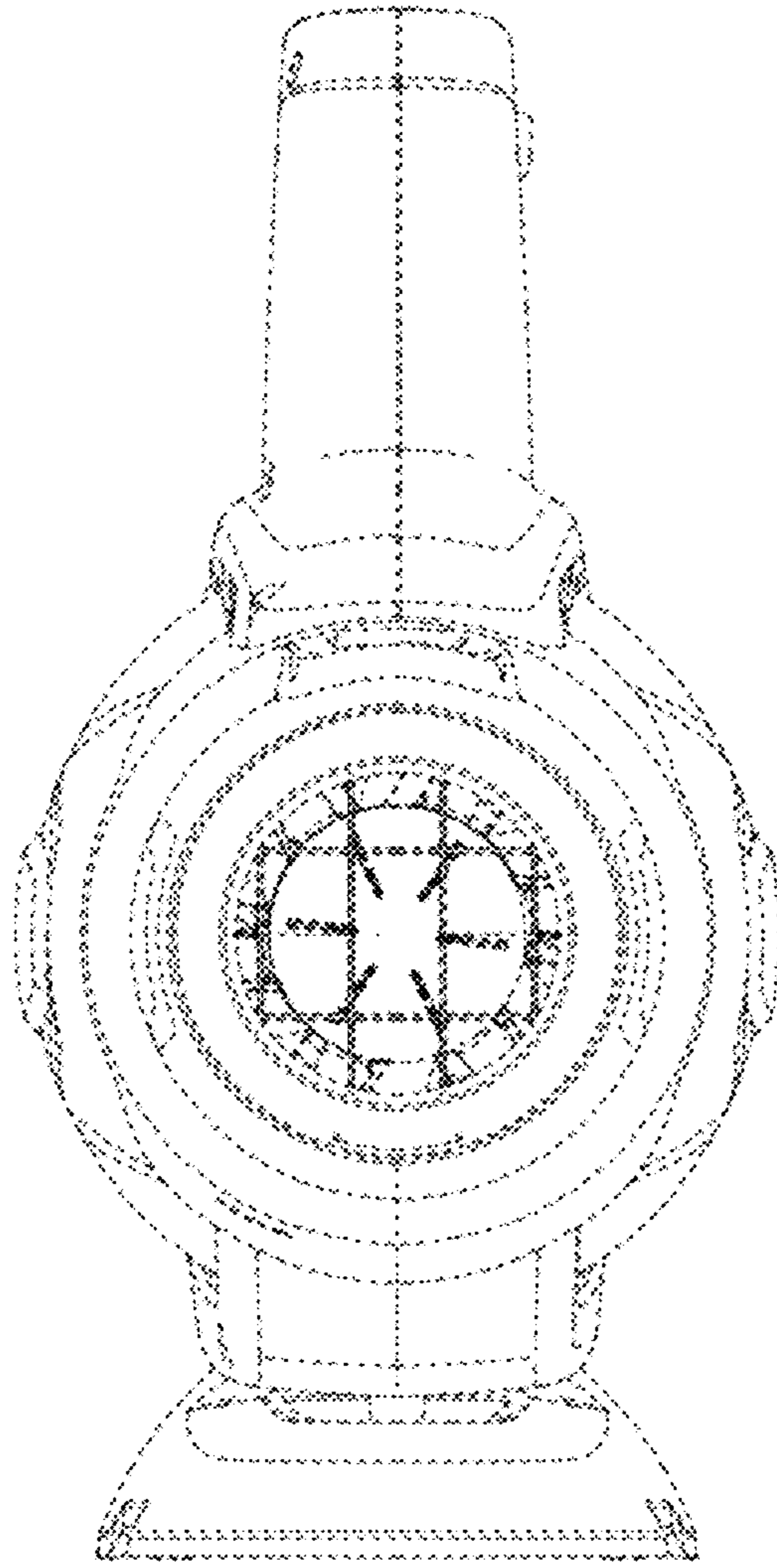


FIG. 3

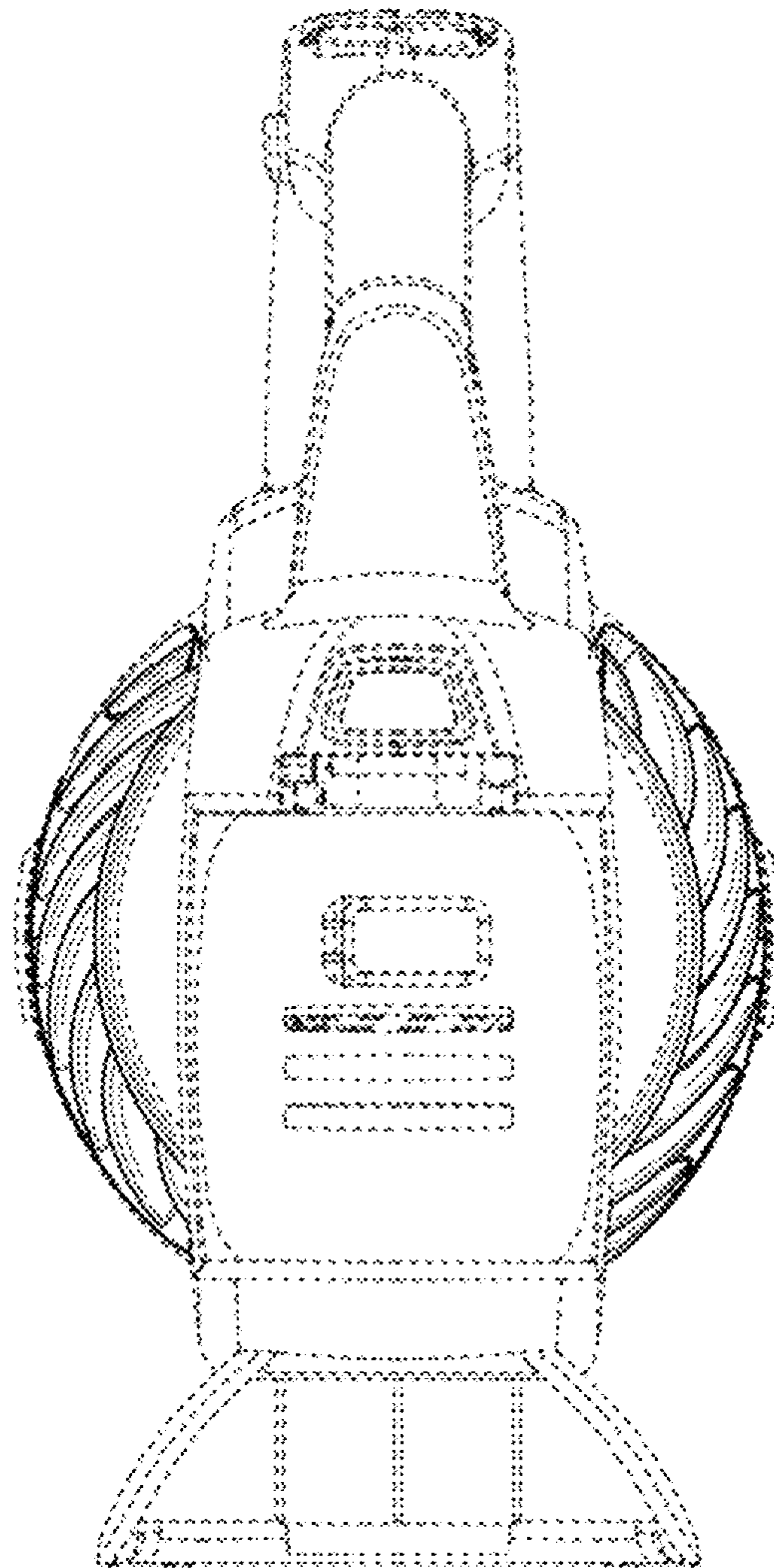


FIG. 4

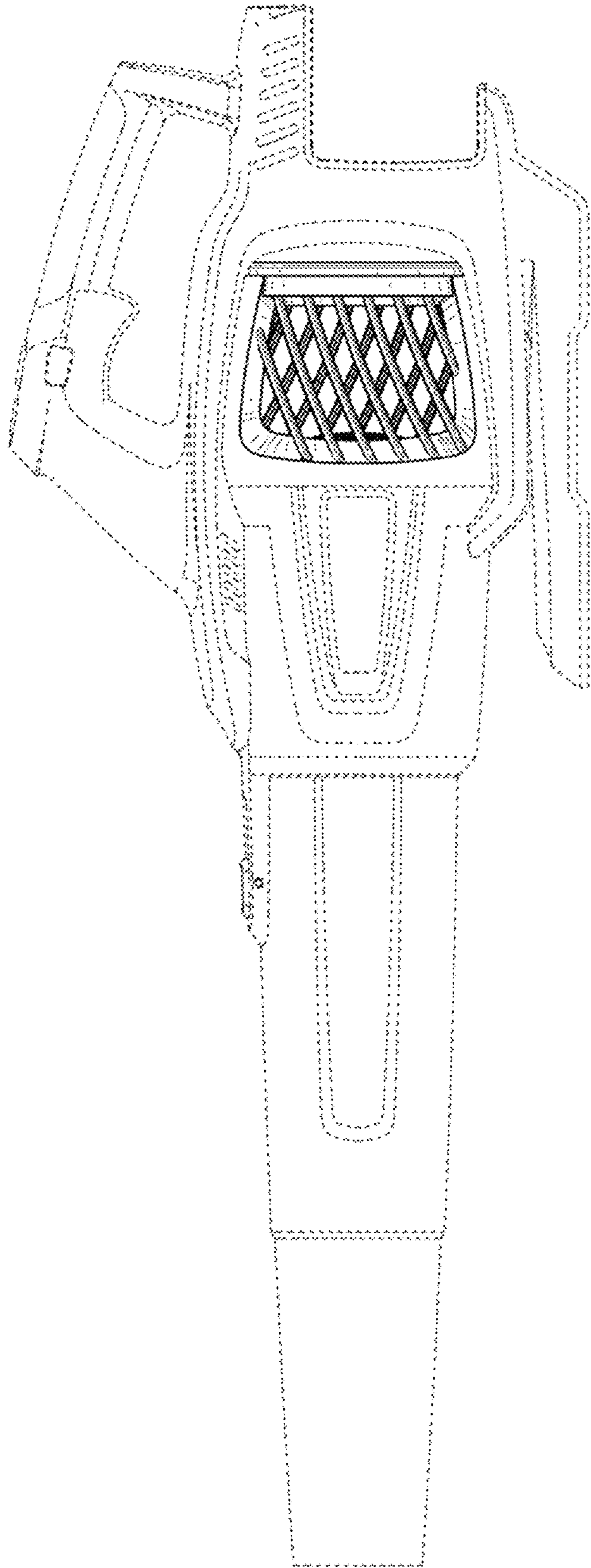


FIG. 5

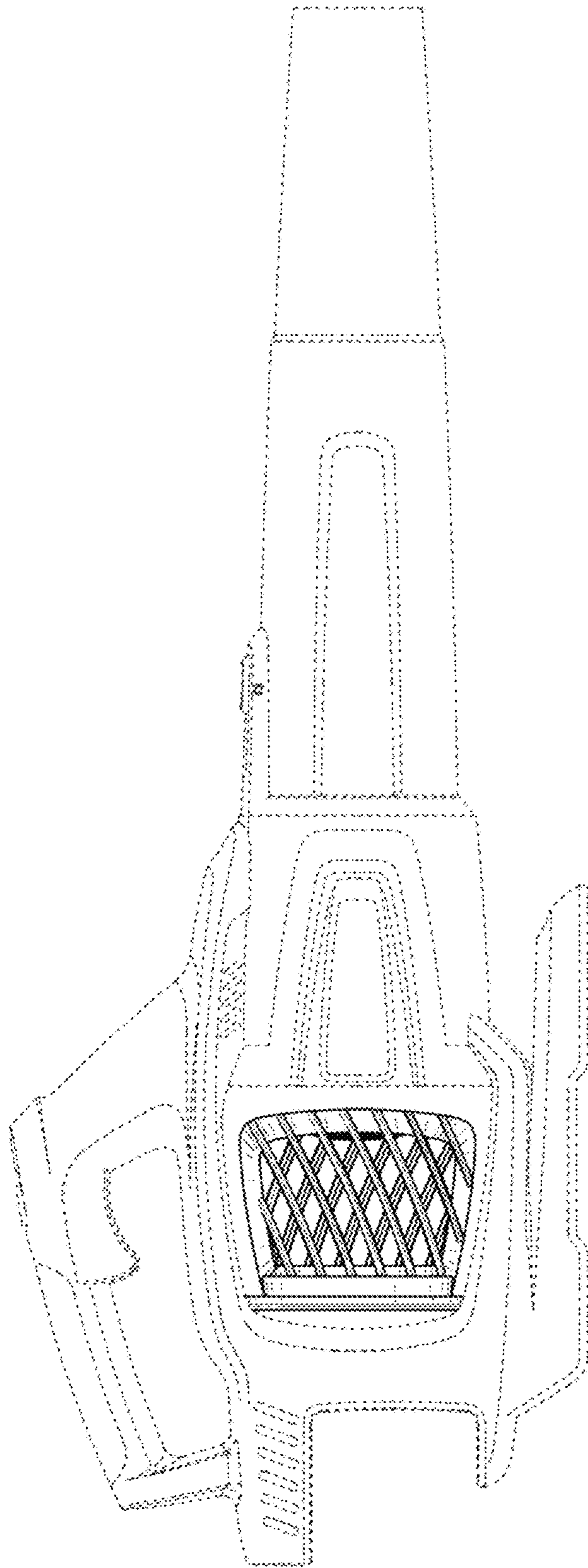


FIG. 6



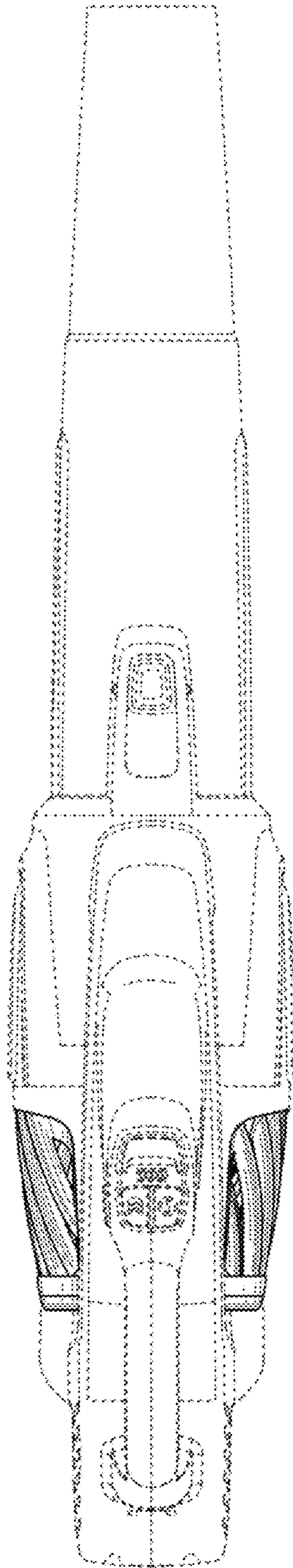


FIG. 7

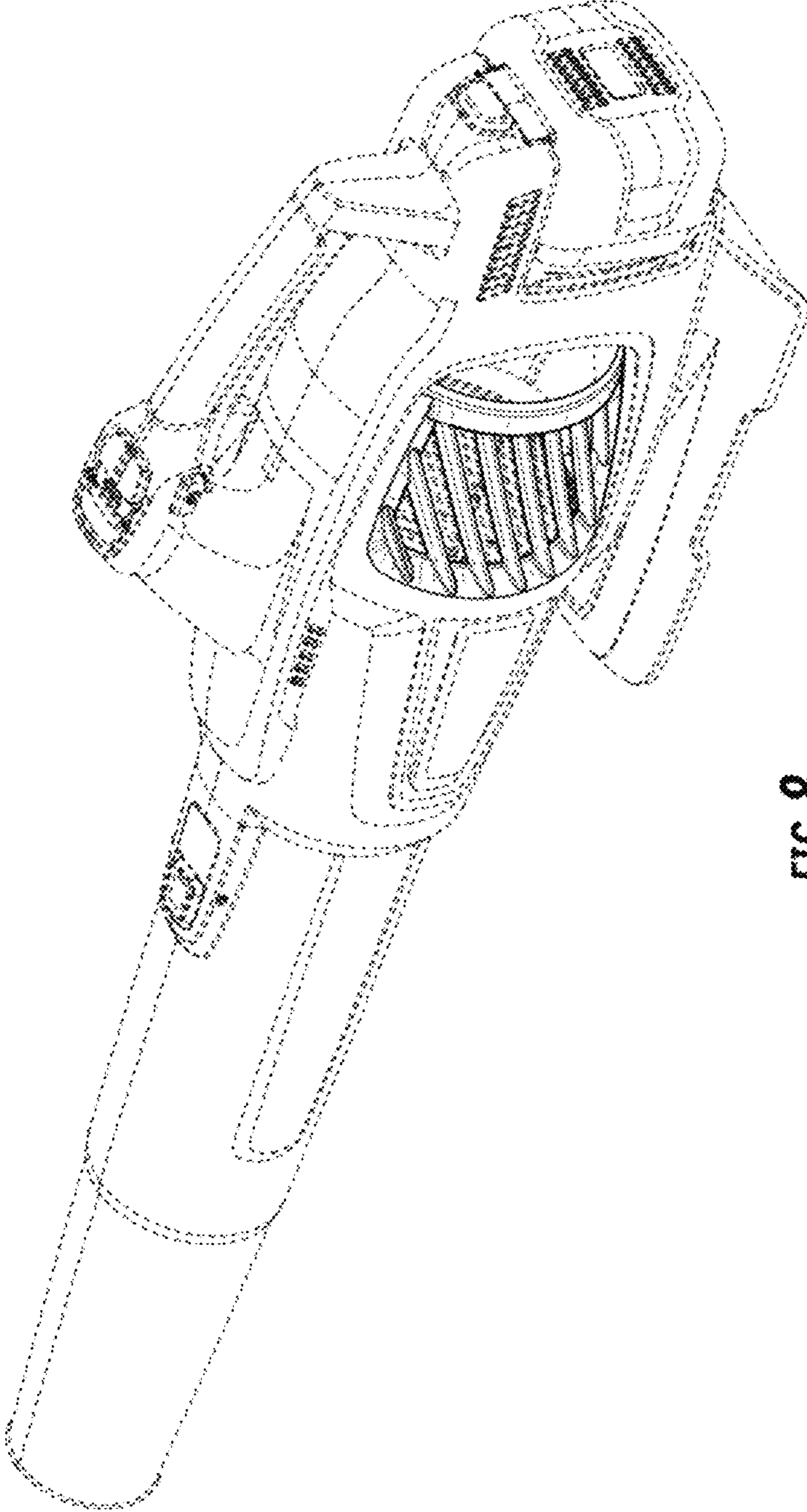


FIG. 8