



US00D829391S

(12) **United States Design Patent** (10) **Patent No.:** **US D829,391 S**  
**Roberson et al.** (45) **Date of Patent:** **\*\* Sep. 25, 2018**

(54) **DISHWASHER AND/OR COMPONENTS THEREOF**

(71) Applicant: **BSH Home Appliances Corporation**, Irvine, CA (US)

(72) Inventors: **Lindsay Roberson**, Durham, NC (US); **Thomas Ott**, Neubiberg (DE)

(73) Assignee: **BSH Home Appliances Corporation**, Irvine, CA (US)

(\*\*) Term: **15 Years**

(21) Appl. No.: **29/601,758**

(22) Filed: **Apr. 26, 2017**

**Related U.S. Application Data**

(62) Division of application No. 29/582,352, filed on Oct. 27, 2016, now Pat. No. Des. 794,264, which is a division of application No. 29/570,443, filed on Jul. 8, 2016, now Pat. No. Des. 778,513, which is a division of application No. 29/558,458, filed on Mar. 18, 2016, now Pat. No. Des. 770,696, which is a division of application No. 29/508,988, filed on Nov. 13, 2014, now Pat. No. Des. 760,452, which is a division of application No. 29/417,549, filed on Apr. 5, 2012, now Pat. No. Des. 720,100.

(51) **LOC (11) Cl.** ..... **15-05**

(52) **U.S. Cl.**  
USPC ..... **D32/3**

(58) **Field of Classification Search**  
USPC .... D32/1-3, 25, 28; D7/340, 348-350, 405; 312/31, 109, 228; 134/56 D, 57 D, 58 D, 134/58 DL, 56 R, 57 R, 201, 113  
CPC .. A47L 15/4265; A47L 15/15; A47L 15/4259; A47L 15/4257; A47L 15/4293; A47L 15/0049; A47L 15/46; F25D 23/02; F25D 23/021  
See application file for complete search history.

(56) **References Cited**

U.S. PATENT DOCUMENTS

5,151,884 A *	9/1992	Griffith	.....	A47L 15/0049 134/57 D
5,365,959 A *	11/1994	Favaro	.....	A47L 15/4257 312/228
D385,070 S *	10/1997	Hughes	.....	D32/3
D538,070 S *	3/2007	Hutton	.....	D6/717
D580,603 S *	11/2008	Busalt	.....	D32/3
D665,956 S *	8/2012	Eng	.....	D32/2

\* cited by examiner

*Primary Examiner* — Catherine R Oliver-Garcia  
(74) *Attorney, Agent, or Firm* — Michael E. Tschupp; Andre Pallapies; Brandon G. Braun

(57) **CLAIM**

The ornamental design for a dishwasher and/or components thereof, as shown and described.

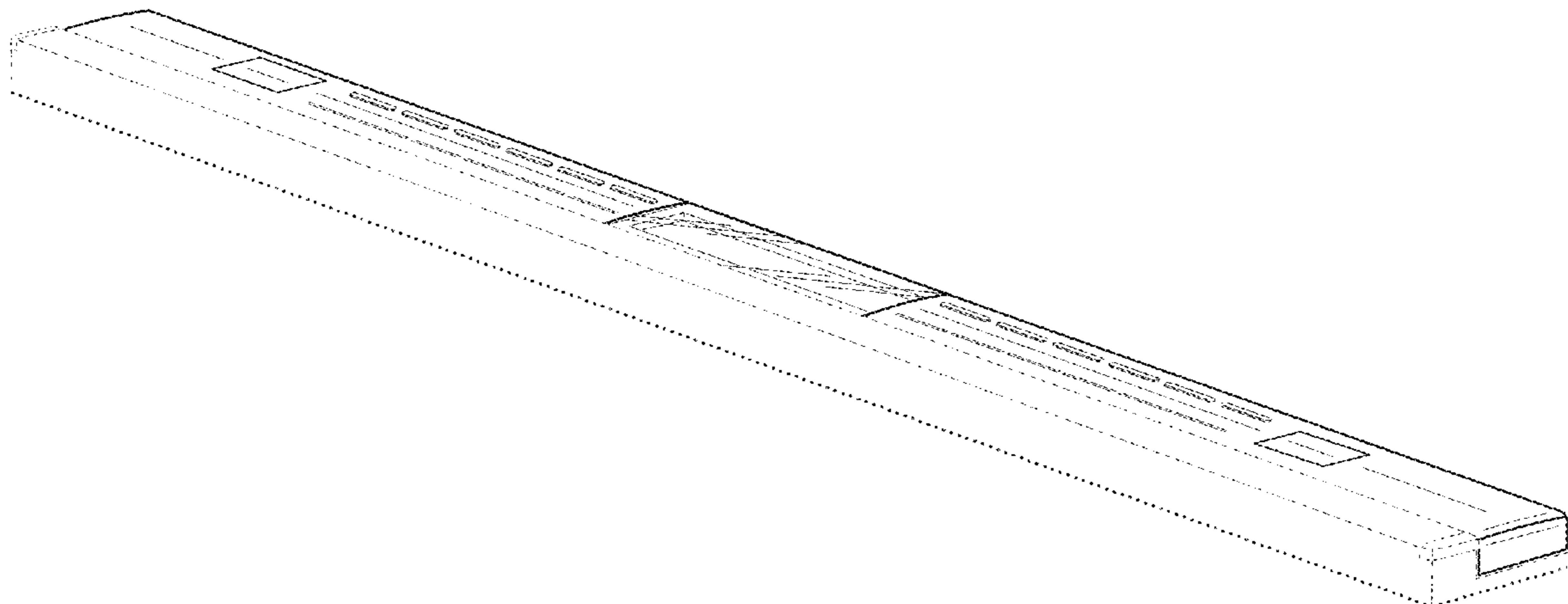
**DESCRIPTION**

FIG. 1 is a front and top perspective view of a dishwasher door control panel according to our new ornamental design; FIG. 2 is a top plan view thereof; and, FIG. 3 is a left side view thereof, with the right side view being a mirror image.

The broken lines of the dishwasher, dishwasher compartment and/or components thereof show surrounding structure or environment and do not form part of the claimed design. Where included, the dotted lines represent the border between claimed and non-claimed subject matter.

The bottom, front and rear parts of the dishwasher door, and the bottom, front, rear and top of the dishwasher compartment are unornamented and form no part of the claimed design.

**1 Claim, 2 Drawing Sheets**



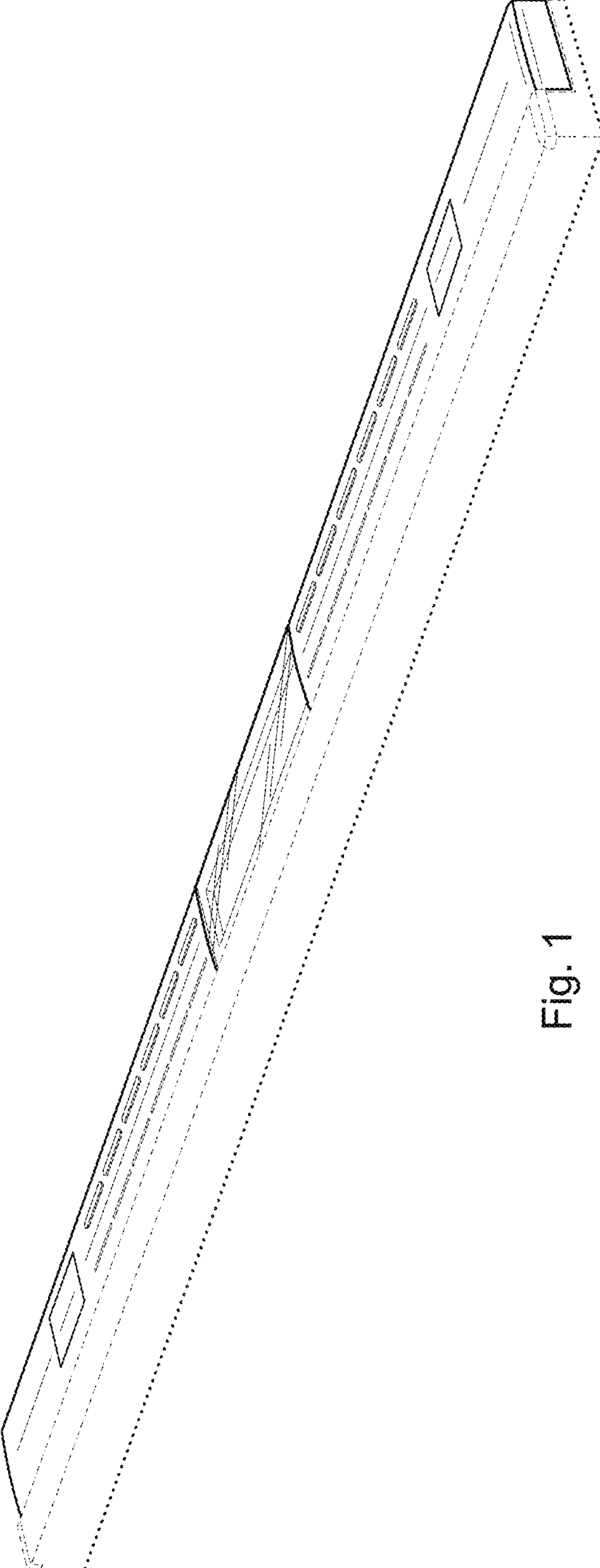


Fig. 1

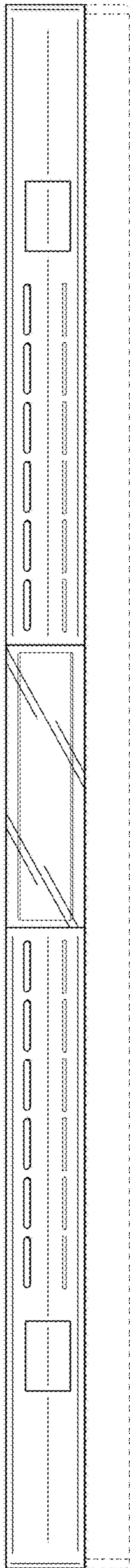


Fig. 2

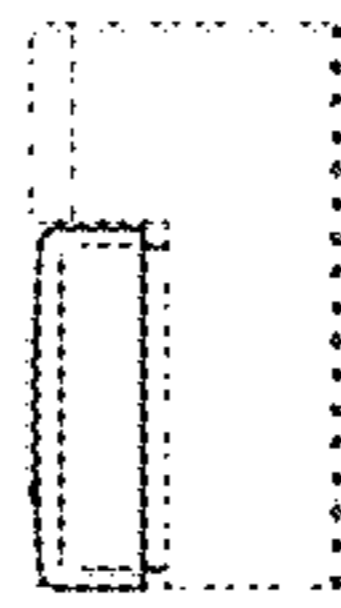


Fig. 3