



US00D829390S

(12) **United States Design Patent**
Logan et al.

(10) **Patent No.:** **US D829,390 S**
(45) **Date of Patent:** **** Sep. 25, 2018**

(54) **INTRAVAGINAL DEVICE**
(71) Applicant: **Jurox Pty Ltd**, Rutherford Nsw (AU)
(72) Inventors: **Paul Logan**, Charlestown (AU);
Graham Simpson, Tuggerah (AU)
(73) Assignee: **Jurox Pty Ltd** (AU)
(**) Term: **15 Years**

3,533,406 A * 10/1970 Tatum A61F 6/144
128/839
3,645,258 A * 2/1972 Massouras A61F 6/144
128/839
3,811,435 A * 5/1974 Soichet A61F 6/144
128/840
3,835,863 A * 9/1974 Goldberg A61F 2/04
604/284

(Continued)

(21) Appl. No.: **29/608,076**
(22) Filed: **Jun. 19, 2017**

FOREIGN PATENT DOCUMENTS

AU 2715397 A 11/1997
AU 134069 6/1998

(Continued)

(30) **Foreign Application Priority Data**

Dec. 23, 2016 (AU) 201617347

(51) **LOC (11) Cl.** **30-99**

(52) **U.S. Cl.**
USPC **D30/199**

(58) **Field of Classification Search**
USPC D30/199; D24/105, 141, 135, 155, 187,
D24/231; 128/898, 830, 832, 833,
128/838-840; 600/33; 604/514, 515,
604/285, 284, 275, 890.1, 891.1, 892.1,
604/11, 19, 27, 36, 93.01, 104; 424/438,
424/422-425, 430, 432, 433
CPC A01K 21/00; A01K 29/00; A01K 29/005;
A61D 7/00; A61D 19/00; A61K 9/0036;
A61K 9/0039; A61K 9/0034; A61K
31/57; A61F 6/144

See application file for complete search history.

(56) **References Cited**

U.S. PATENT DOCUMENTS

2,819,719 A * 1/1958 Utley A61M 27/00
604/284
3,454,004 A * 7/1969 Spencer A61F 6/142
128/839
3,515,132 A * 6/1970 McKnight A61F 6/144
128/840

OTHER PUBLICATIONS

Eazi-Breed CIDR® Cattle Devices, Zoetis Australia, product mar-
keted at least as early as Jan. 2016.

(Continued)

Primary Examiner — Susan Moon Lee

(74) *Attorney, Agent, or Firm* — Lerner, David,
Littenberg, Krumholz & Mentlik, LLP

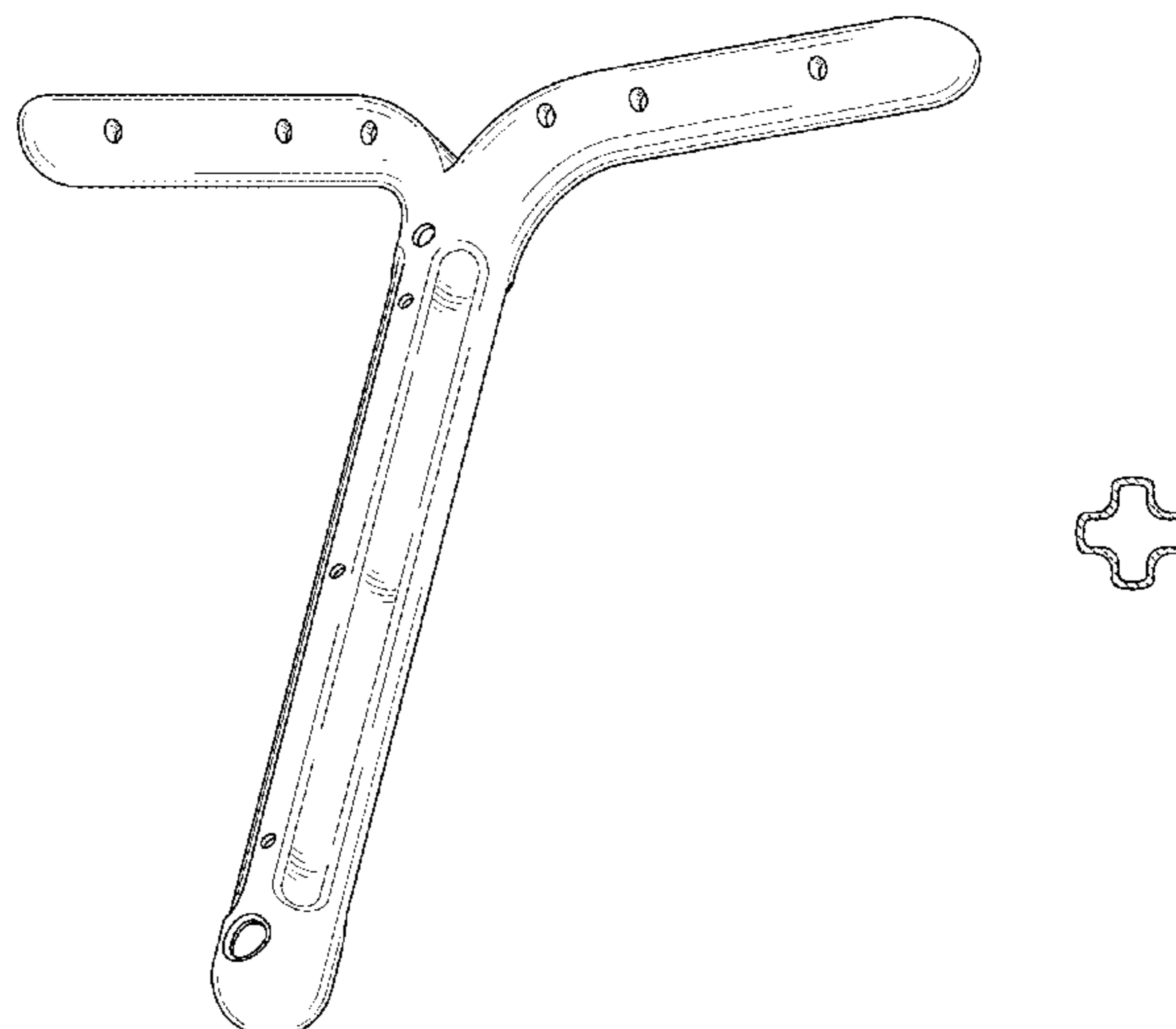
(57) **CLAIM**

The ornamental design for an intravaginal device, as shown
and described.

DESCRIPTION

FIG. 1 is a front perspective view of an intravaginal device
according to our design;
FIG. 2 is a front elevational view thereof;
FIG. 3 is a right side elevational view thereof, the left side
elevational view being a mirror image thereof;
FIG. 4 is a top plan view thereof; and,
FIG. 5 is a cross-sectional bottom plan view of the section
of the intravaginal device taken along line A-A in FIG. 2.

1 Claim, 4 Drawing Sheets



(56)

References Cited

U.S. PATENT DOCUMENTS

3,865,108 A * 2/1975 Hartop A61K 9/0039
222/95
3,888,975 A * 6/1975 Ramwell A61F 6/144
128/833
3,898,986 A * 8/1975 Zaffaroni A61F 6/144
128/833
3,902,483 A * 9/1975 Place A61F 6/144
128/839
3,921,954 A * 11/1975 Monett A61F 6/144
249/88
3,937,217 A * 2/1976 Kosonen A61F 6/144
128/839
3,971,367 A * 7/1976 Zaffaroni A61F 6/144
128/833
3,993,057 A * 11/1976 Ramwell A61F 6/144
128/833
3,993,058 A * 11/1976 Hoff A61F 6/144
128/839
4,014,987 A * 3/1977 Heller A61K 9/0036
128/832
4,072,153 A * 2/1978 Swartz A61M 27/00
604/284
4,142,528 A * 3/1979 Whelan, Jr. A61M 39/0247
604/284
4,198,966 A * 4/1980 Kaivola A61F 6/144
128/839
4,309,994 A * 1/1982 Grunwald A61M 25/0026
604/28
4,341,728 A * 7/1982 Robertson A61K 9/0039
264/161
4,353,363 A * 10/1982 Sopena Quesada A61F 6/144
128/833
4,449,980 A * 5/1984 Millar A61K 9/0036
128/830
4,562,835 A * 1/1986 Anderson A61F 6/144
128/839
4,582,052 A * 4/1986 Dunn A01N 25/34
128/839
4,585,451 A * 4/1986 Millar A61M 31/002
128/832
4,628,924 A * 12/1986 Cimber A61F 6/144
128/839
4,678,463 A * 7/1987 Millar A61D 7/00
128/832
4,805,628 A * 2/1989 Fry A61B 8/0833
600/458
4,807,610 A * 2/1989 Gainutdinova A61F 6/144
128/830
4,830,025 A * 5/1989 Gainutdinova A61F 6/144
128/830
4,841,991 A * 6/1989 Gainutdinova A61F 6/144
128/833
5,494,047 A * 2/1996 Van Os A61F 6/142
128/832
5,555,896 A * 9/1996 Cimber A61F 6/144
128/830
6,086,909 A * 7/2000 Harrison A61F 6/08
424/430
6,139,538 A * 10/2000 Houghton A61N 1/0524
604/21
6,352,524 B1 * 3/2002 Bunt A61M 31/002
604/285
6,406,453 B1 * 6/2002 Goode A61F 11/002
604/264
6,416,779 B1 * 7/2002 D'Augustine A61F 6/08
424/430
6,423,039 B1 7/2002 Rathbone et al.
6,663,608 B2 12/2003 Rathbone et al.
6,742,520 B1 * 6/2004 Wildemeersch A61F 6/144
128/830
7,083,590 B1 * 8/2006 Bunt A61D 7/00
604/218

9,907,691 B2 * 3/2018 Churchill A61K 33/34
2001/0029357 A1 * 10/2001 Bunt A61D 7/00
604/265
2002/0058926 A1 * 5/2002 Rathbone A61D 7/00
604/514
2004/0261799 A1 * 12/2004 Mock A61B 17/435
128/833
2007/0151565 A1 * 7/2007 Sanders Acedo A61F 6/144
128/839
2008/0095825 A1 * 4/2008 Lafont A61F 6/14
424/432
2008/0216842 A1 * 9/2008 Acedo A61F 6/144
128/839
2009/0291119 A1 * 11/2009 Nascimento A61K 9/0036
424/430
2009/0311306 A1 * 12/2009 Karpati A61F 6/14
424/432
2011/0146693 A1 * 6/2011 Duesterberg A61K 9/0039
128/833
2011/0247630 A1 * 10/2011 Schneider A61F 6/18
128/840
2012/0111338 A1 * 5/2012 Weitraub A61F 6/144
128/833
2012/0318276 A1 * 12/2012 Wildemeersch A61K 9/0019
128/833
2013/0133667 A1 * 5/2013 van Os A61F 6/144
128/833
2013/0213406 A1 * 8/2013 Frankenne A61F 6/18
128/830
2014/0041667 A1 * 2/2014 Cammack A61F 6/18
128/833
2014/0200553 A1 * 7/2014 Johnson A61D 7/00
604/515
2014/0261444 A1 * 9/2014 Churchill A61F 6/144
128/833
2015/0126968 A1 * 5/2015 Abhishek A61M 31/002
604/514
2015/0202076 A1 * 7/2015 Wijzen A61K 9/0039
128/833
2015/0230971 A1 * 8/2015 Wildemeersch A61F 6/144
128/833
2015/0320766 A1 * 11/2015 Ulmann A61K 9/0039
424/432
2015/0359663 A1 * 12/2015 Wildemeersch A61F 6/142
128/833
2016/0030084 A1 * 2/2016 Johnson A61B 17/43
600/34
2016/0136402 A1 * 5/2016 Kendrup A61M 31/002
128/833
2016/0262923 A1 * 9/2016 Ahola A61K 31/567
2016/0296468 A1 * 10/2016 Sanders Acedo A61K 33/34
2017/0231809 A1 * 8/2017 Raje A61F 6/18
128/830
2017/0273820 A1 * 9/2017 Deckman A61F 6/18
2017/0312219 A1 * 11/2017 Duesterberg A61K 31/569
2017/0340476 A1 * 11/2017 Kuster A61F 6/144
2018/0028228 A1 * 2/2018 Johnson A61D 7/00

FOREIGN PATENT DOCUMENTS

EP 0902664 A1 3/1999
GB 2328161 A 2/1999
NZ 28417 4/1997
NZ 28418 4/1997
NZ 286492 A 2/1998
WO 9740776 A1 11/1997
ZA 9703717 B 12/1997

OTHER PUBLICATIONS

Eazi-Breed CIDR® Sheep and Goat Devices, Zoetis Australia, product marketed at least as early as Jan. 2016.

* cited by examiner

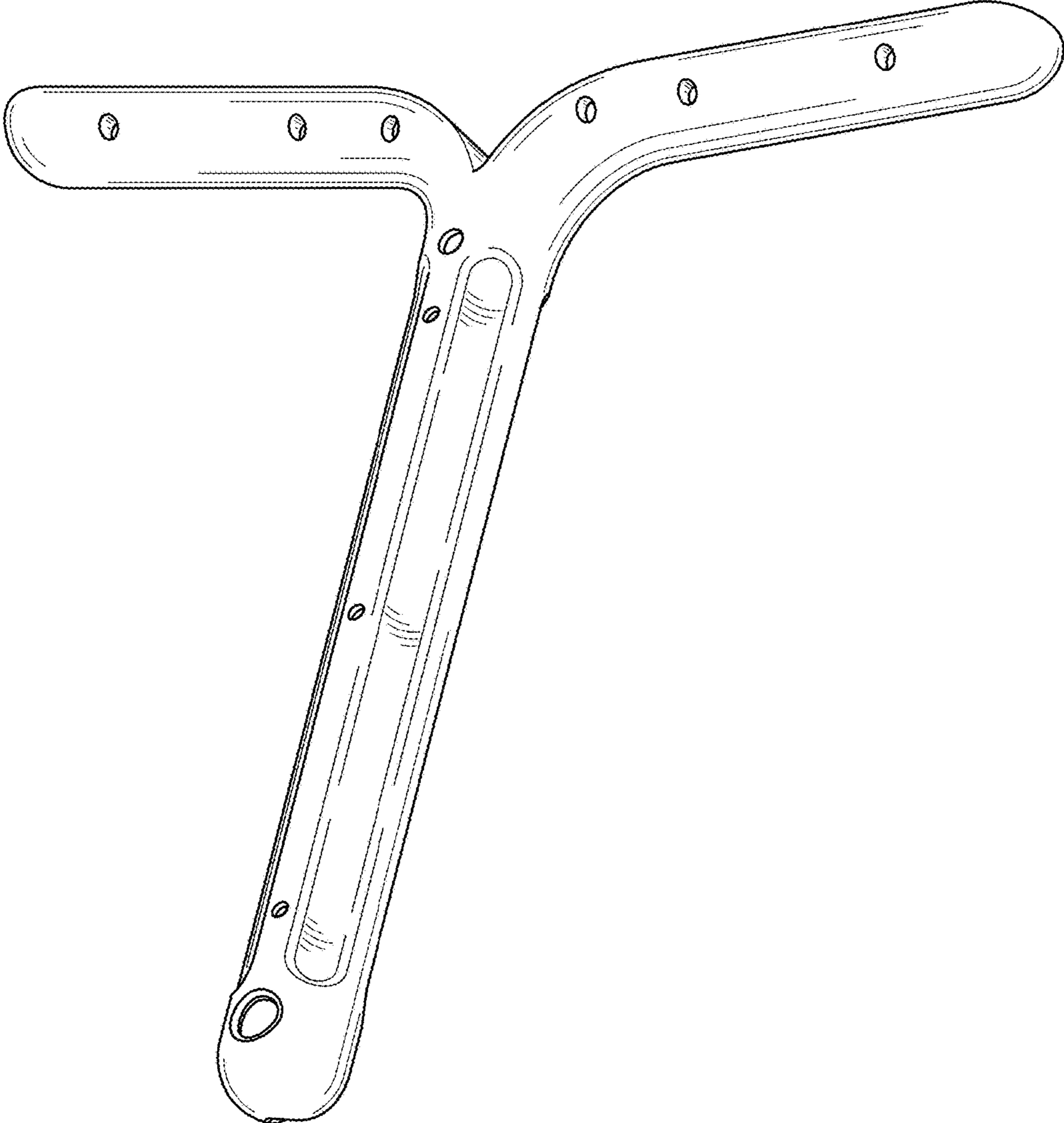


FIG. 1

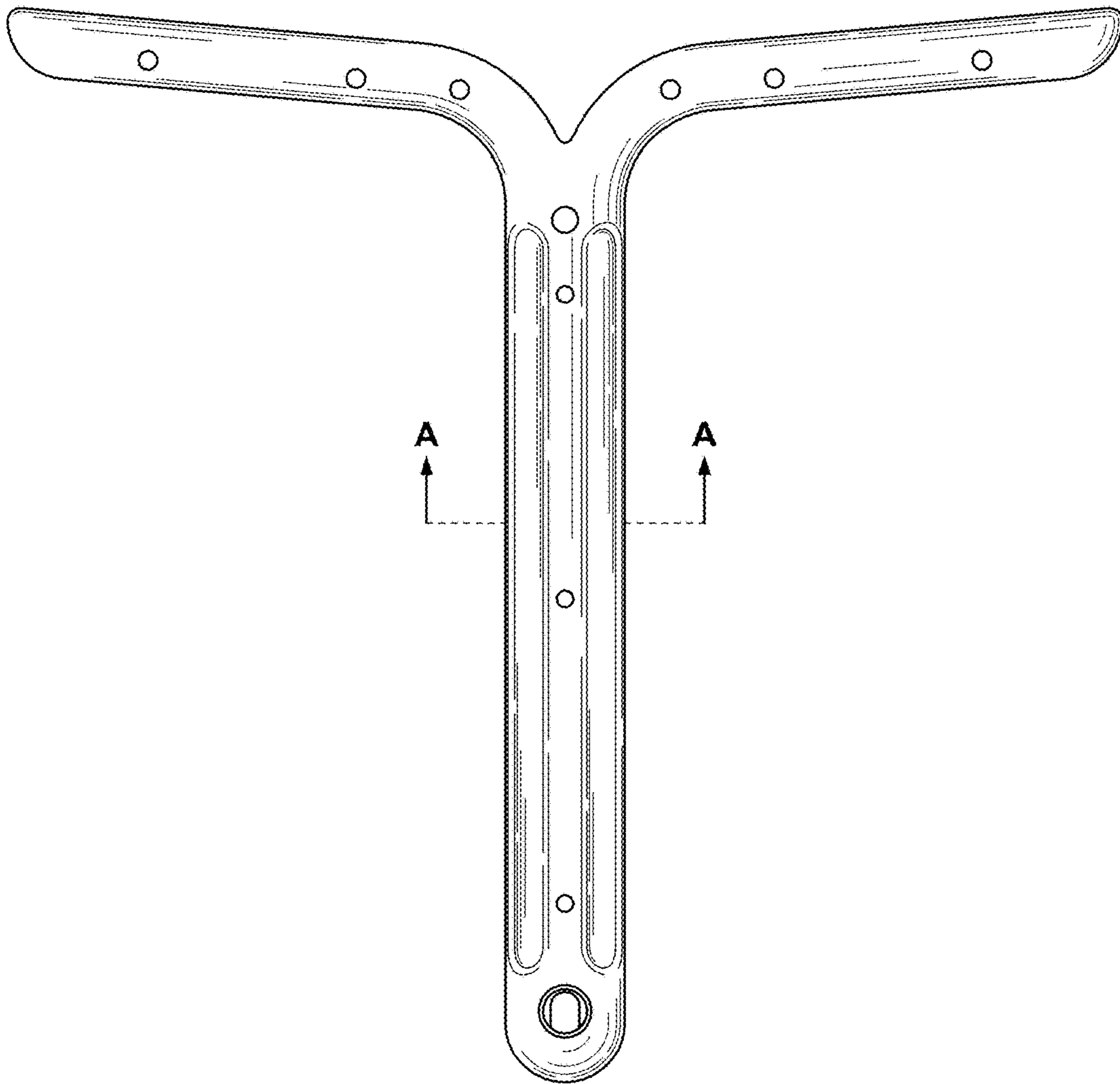


FIG. 2

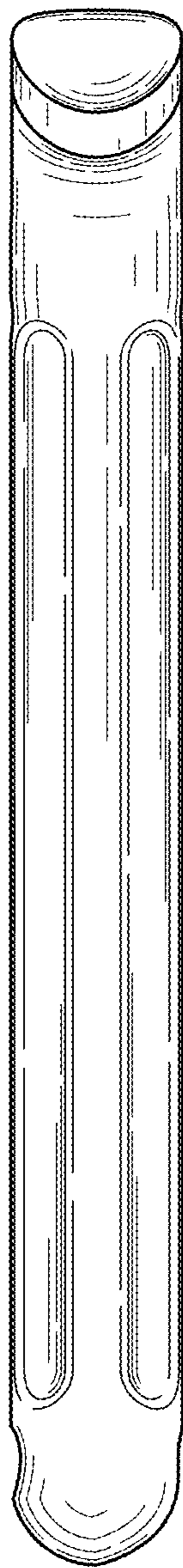


FIG. 3

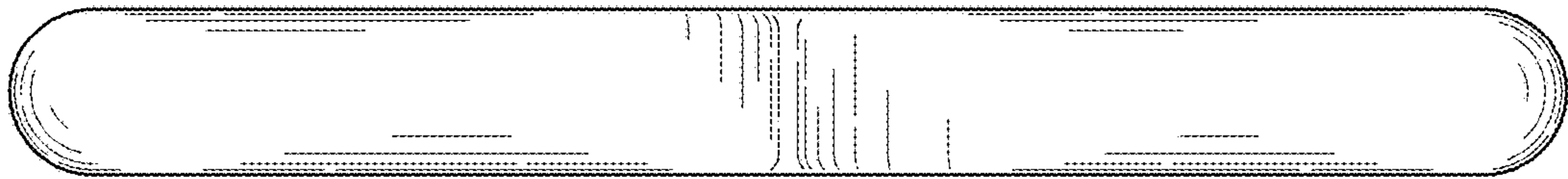


FIG. 4

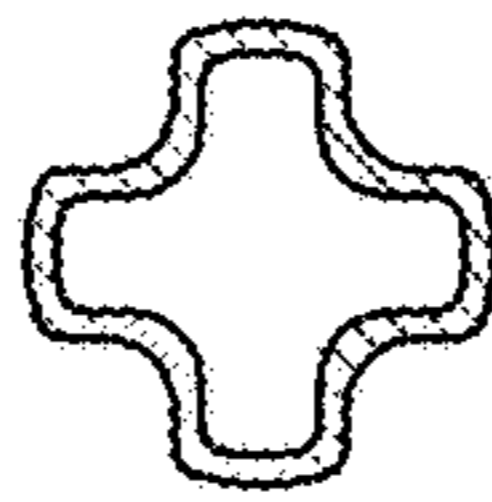


FIG. 5