



US00D829387S

(12) **United States Design Patent** (10) **Patent No.:** **US D829,387 S**
Kenkel et al. (45) **Date of Patent:** **** Sep. 25, 2018**

- (54) **AQUAPONIC SYSTEM**
- (71) Applicants: **Trevor Kenkel**, Kalispell, MT (US);
Philip Chung Yi Leung, Waltham, MA (US)
- (72) Inventors: **Trevor Kenkel**, Kalispell, MT (US);
Philip Chung Yi Leung, Waltham, MA (US)
- (73) Assignee: **Springworks Farm Maine, Inc.**,
Lisbon, ME (US)
- (**) Term: **15 Years**
- (21) Appl. No.: **29/544,218**
- (22) Filed: **Oct. 30, 2015**
- (51) **LOC (11) Cl.** **30-02**
- (52) **U.S. Cl.**
USPC **D30/106**
- (58) **Field of Classification Search**
USPC D30/101–107; D26/51, 56, 61, 63;
D11/145, 143
CPC A01K 63/003; A01K 63/06; A01G 9/02;
A01G 9/00
See application file for complete search history.

- 2014/0223818 A1* 8/2014 Coghlan A01G 31/02
47/62 R
- 2014/0223819 A1* 8/2014 Coghlan A01G 31/02
47/62 R
- 2015/0334996 A1* 11/2015 Licamele A01K 63/003
119/246

* cited by examiner
Primary Examiner — Wan Laymon

(57) **CLAIM**

The ornamental design for an aquaponic system, as shown and described.

DESCRIPTION

FIG. 1 is a front isometric view of an aquaponic system according to our new design;
FIG. 2 is a rear isometric view of the aquaponic system shown in FIG. 1;
FIG. 3 is a front elevational view of the aquaponic system shown in FIG. 1;
FIG. 4 is a rear elevational view of the aquaponic system shown in FIG. 1;
FIG. 5 is a left side elevational view of the aquaponic system shown in FIG. 1;
FIG. 6 is a right side elevational view of the aquaponic system shown in FIG. 1; and,
FIG. 7 is a top plan view of the aquaponic system shown in FIG. 1.

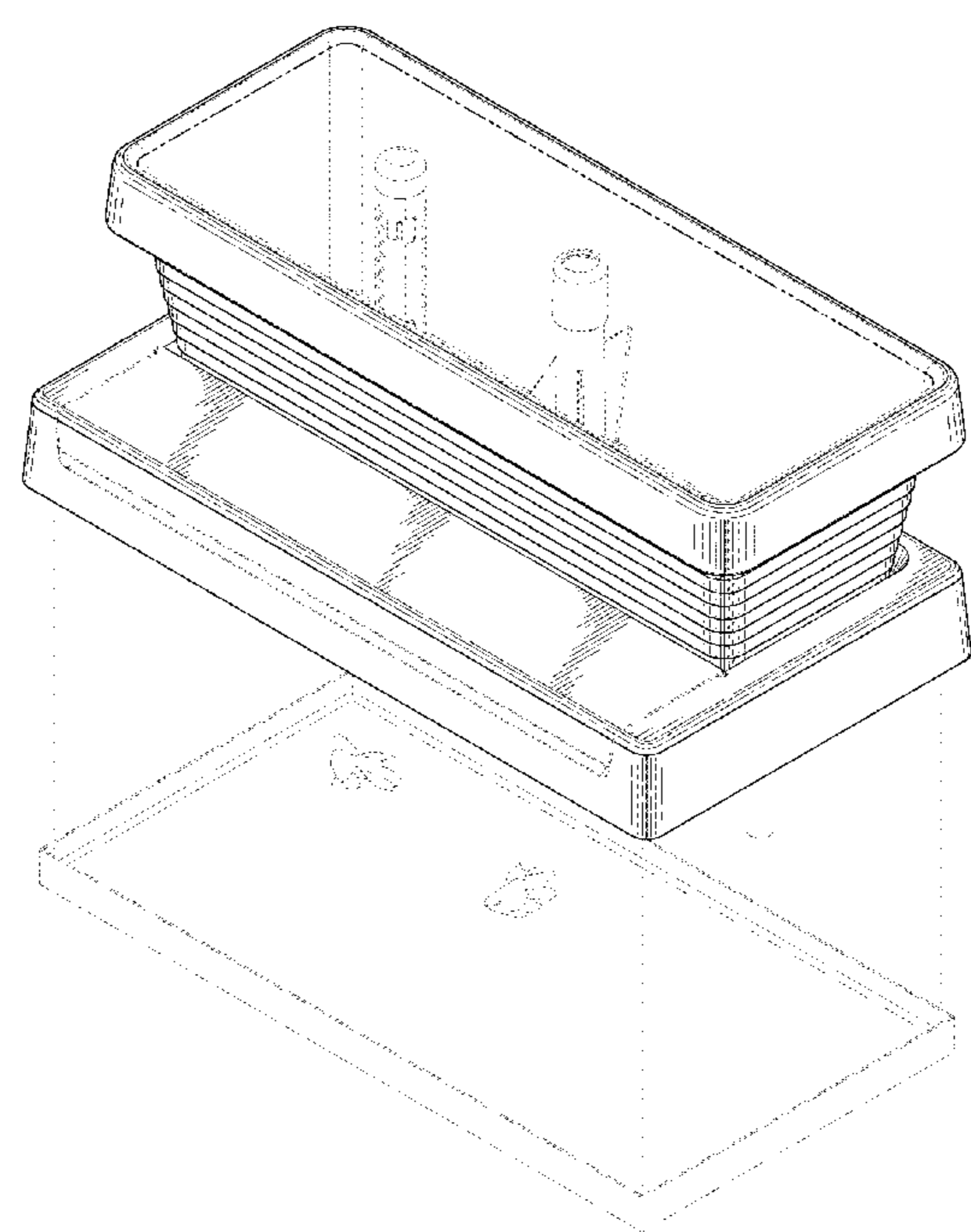
The dashed broken lines in the drawings show portions of the aquaponics system that form no part of the claimed design. The dash-dot-dot broken lines show boundaries of the claimed design and form no part thereof.

1 Claim, 7 Drawing Sheets

(56) **References Cited**

U.S. PATENT DOCUMENTS

2,306,027	A	12/1942	Swaney	
5,127,366	A	7/1992	Kim	
D397,521	S *	8/1998	Gomi	D30/101
D469,582	S *	1/2003	Kaelin	D30/107
8,261,486	B2 *	9/2012	Bissonnette	A01G 31/02 47/59 R
8,966,816	B2	3/2015	Toone et al.	



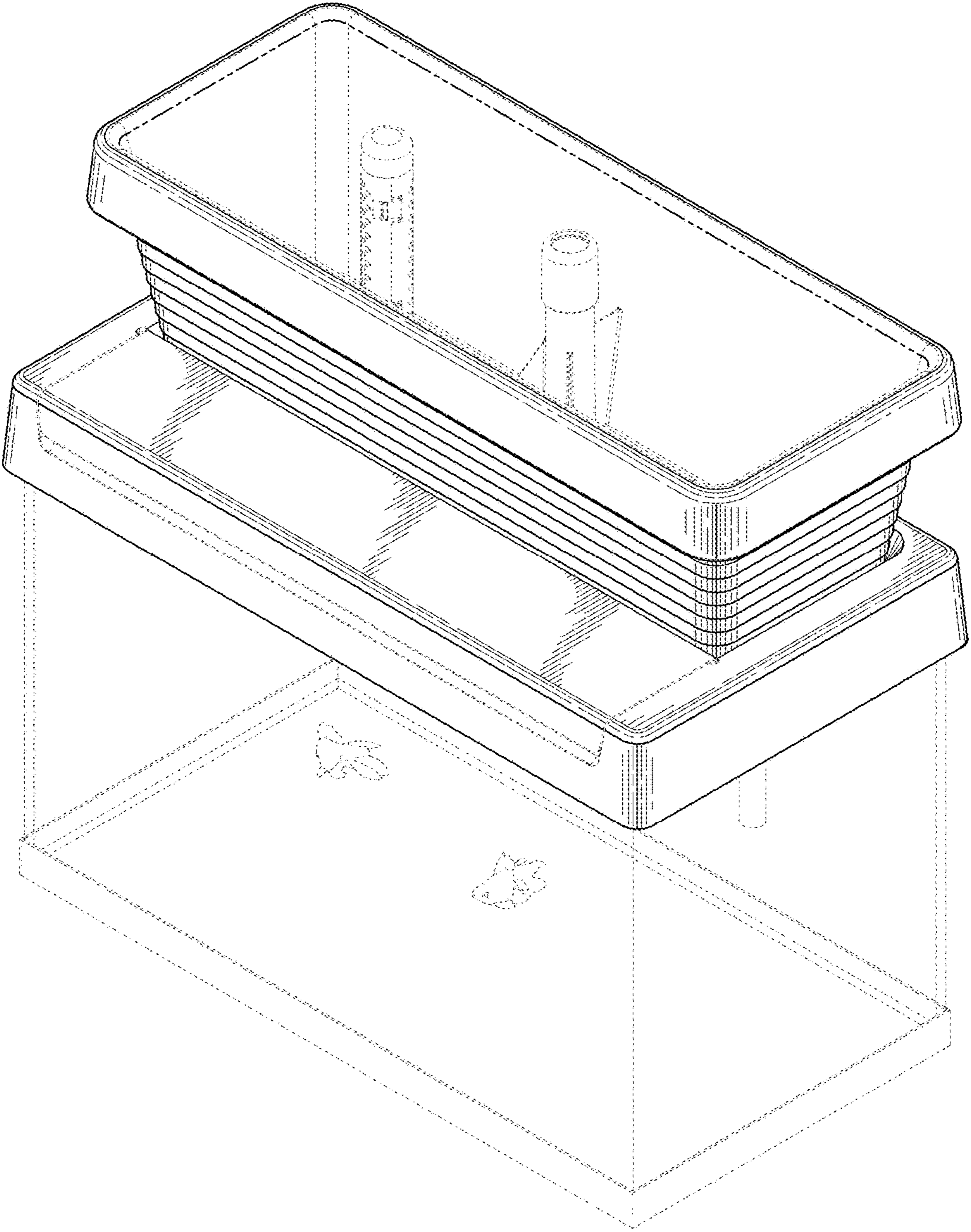


Fig. 1.

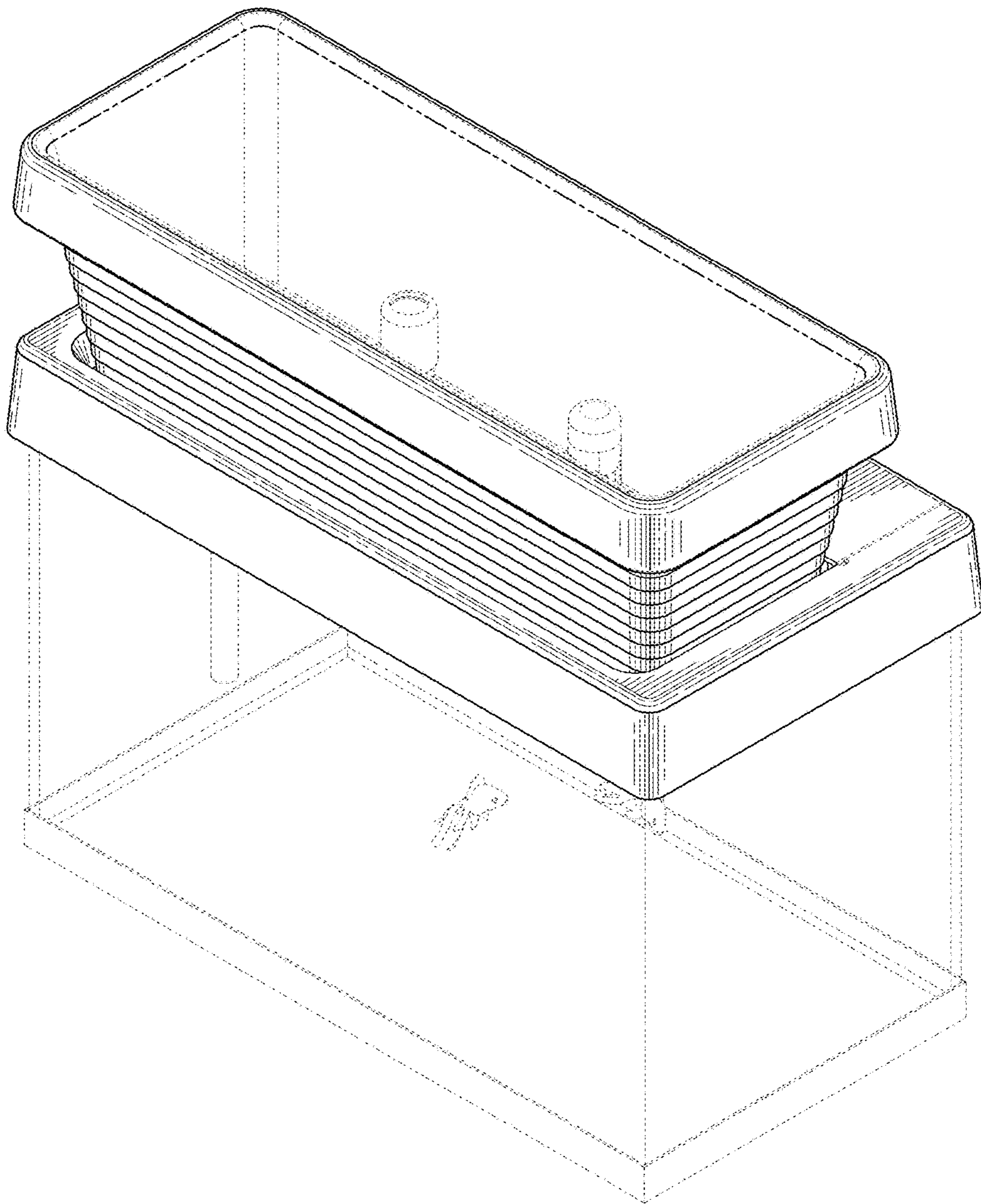


Fig. 2.

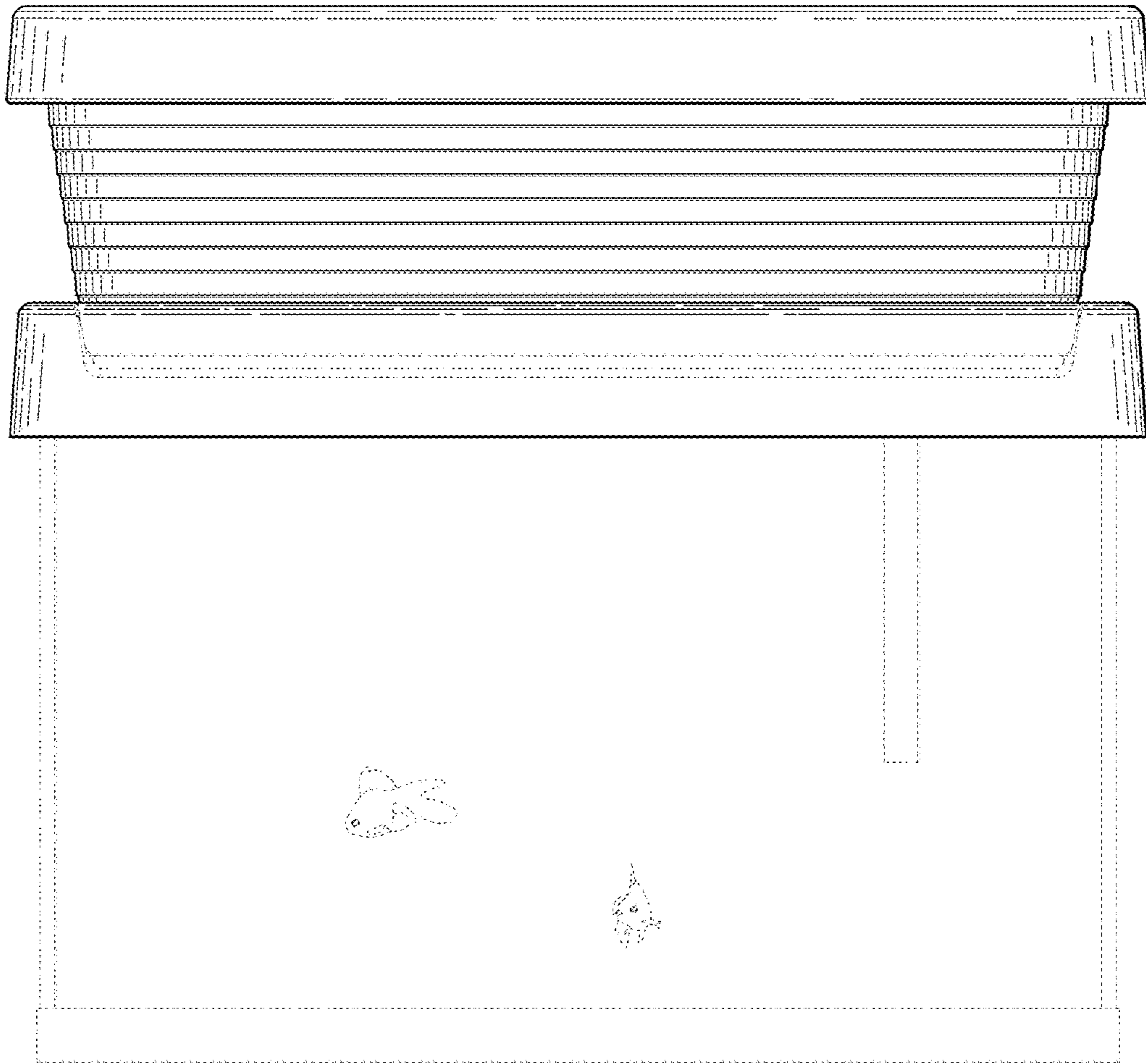


Fig. 3.

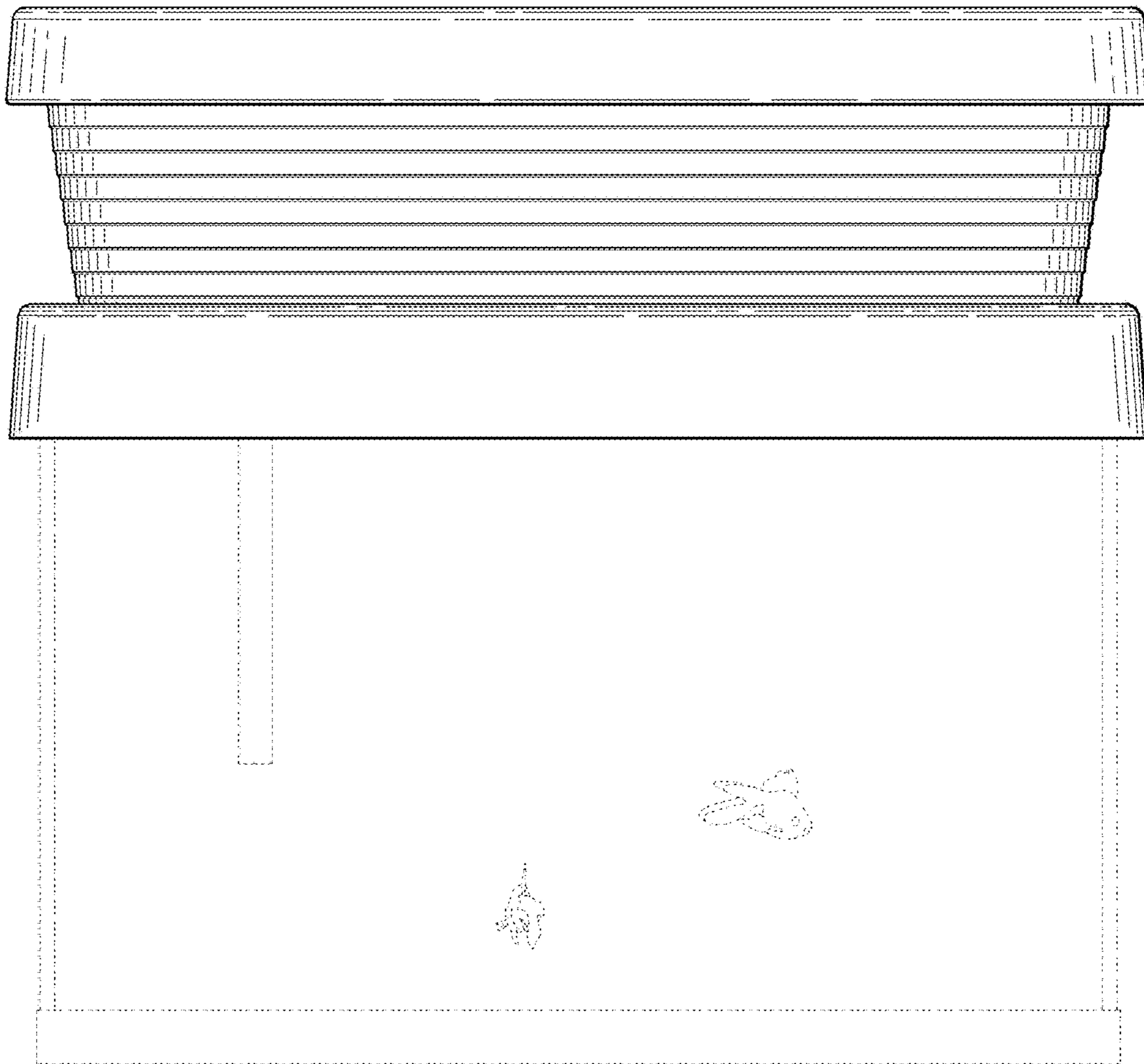


Fig. 4.

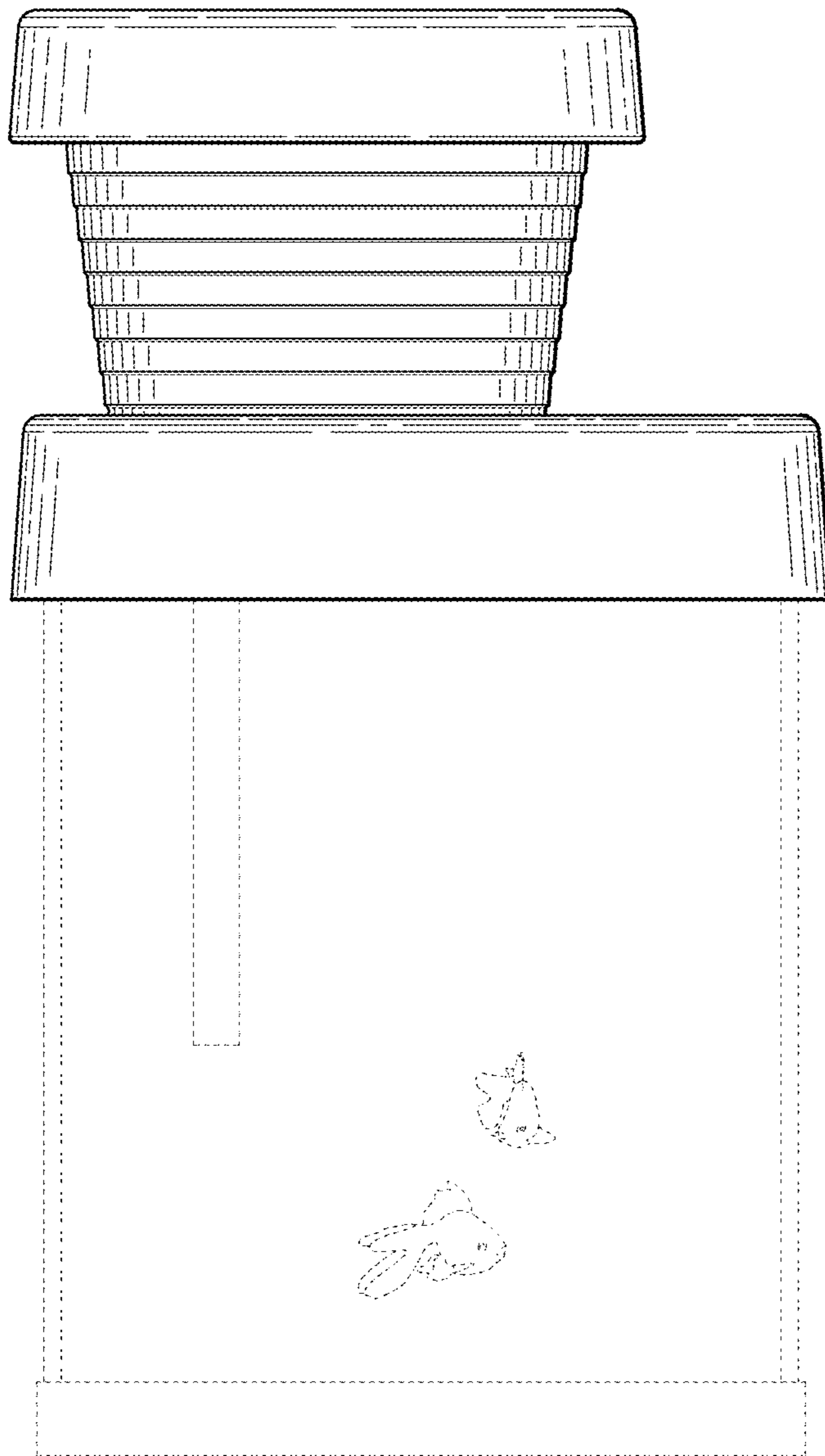


Fig. 5.

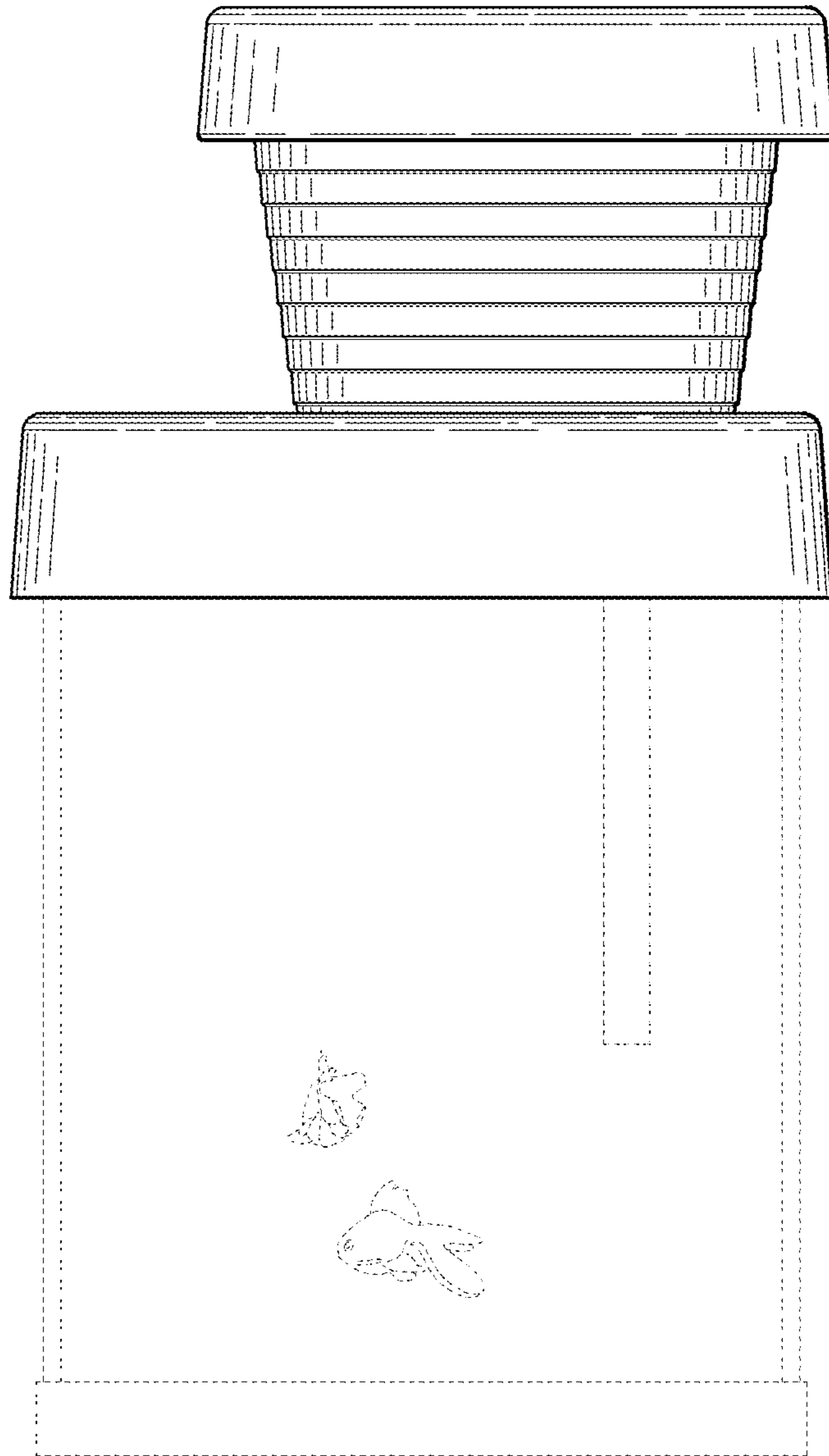


Fig. 6.

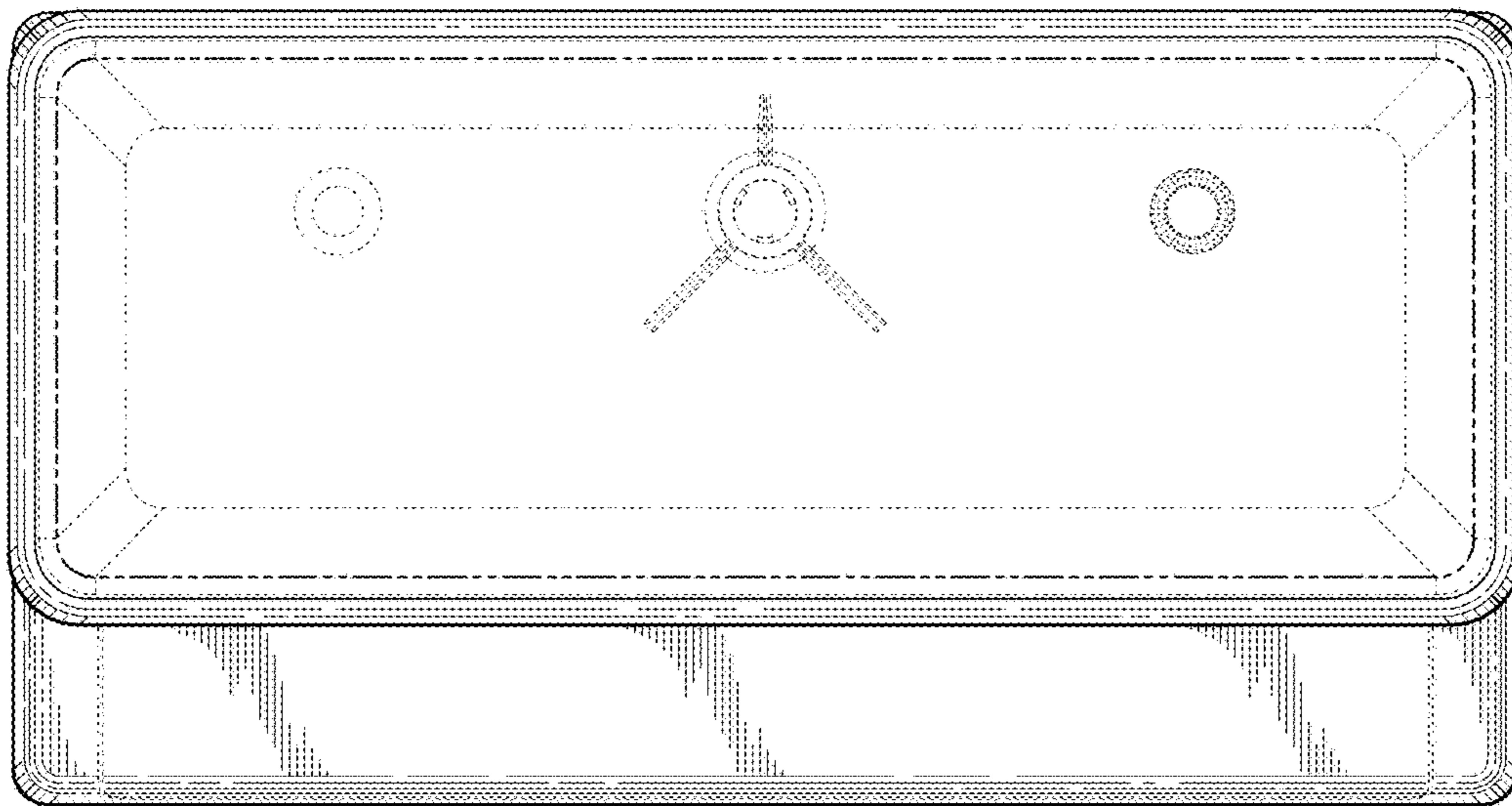


Fig. 7.