

US00D829385S

(12) **United States Design Patent**  
**Ivany**

(10) **Patent No.:** **US D829,385 S**  
(45) **Date of Patent:** **\*\* Sep. 25, 2018**

(54) **FINGERTIP PROTECTOR**

- (71) Applicant: **Cheryl A. Ivany**, Dartmouth (CA)
- (72) Inventor: **Cheryl A. Ivany**, Dartmouth (CA)
- (\*\*) Term: **15 Years**
- (21) Appl. No.: **29/574,385**
- (22) Filed: **Aug. 15, 2016**
- (51) **LOC (11) Cl.** ..... **29-02**
- (52) **U.S. Cl.**  
USPC ..... **D29/113**
- (58) **Field of Classification Search**  
USPC ..... D29/113, 119  
CPC ..... A41D 13/087; A41D 19/01517  
See application file for complete search history.

(56) **References Cited**

**U.S. PATENT DOCUMENTS**

456,230	A *	7/1891	Wilson	.....	A47L 13/16 15/244.3
3,263,681	A	8/1966	Nechtow et al.		
4,751,747	A	6/1988	Banks et al.		
4,908,881	A	3/1990	Field		
D336,548	S *	6/1993	Zeller	.....	D24/125
D363,146	S *	10/1995	Pando	.....	D29/113
D399,608	S *	10/1998	Below	.....	D29/113
5,879,771	A	3/1999	Kypreos		
6,128,778	A *	10/2000	Castagneri	.....	A41D 13/087 2/161.1
D494,369	S	8/2004	McDevitt et al.		
7,249,385	B2	7/2007	Schukraft		
D569,048	S *	5/2008	Sama	.....	D29/118
D733,976	S *	7/2015	Lion	.....	D29/119
2006/0253955	A1 *	11/2006	Kratsa	.....	A41D 13/082 2/159
2009/0013441	A1	1/2009	Duffy		
2012/0210486	A1	8/2012	McJunkin		
2017/0144054	A1 *	5/2017	Landau	.....	A63B 71/14

**OTHER PUBLICATIONS**

- Chip Finger Protectors, posted at delish.com, posting date Jan. 13, 2016, [online], [site visited Oct. 26, 2017]. Available from Internet, URL: <http://www.delish.com/food-news/a45554/chip-finger-protectors/>.\*
- Finger Joint Support Brace, posted at ebay.com, posting date not given, [online], [site visited Oct. 26, 2017]. Available from Internet, URL: <https://www.ebay.co.uk/itm/Plastic-Mallet-Finger-Splint-DIP-Joint-Support-Brace-Protection-Fracture-Pain-/191751914164>.\*
- Finger Splint, posted at ebay.com, posting date not given, [online], [site visited Oct. 26, 2017]. Available from Internet, URL: <http://www.ebay.co.uk/itm/Trigger-Finger-Splint-Injury-Protection-Malleable-Aluminium-Support-Bony-Pain-/301707194869>.\*

(Continued)

*Primary Examiner* — George D. Kirschbaum  
*Assistant Examiner* — Maria J Edwards  
 (74) *Attorney, Agent, or Firm* — Cramer Patent & Design, PLLC; Aaron R. Cramer

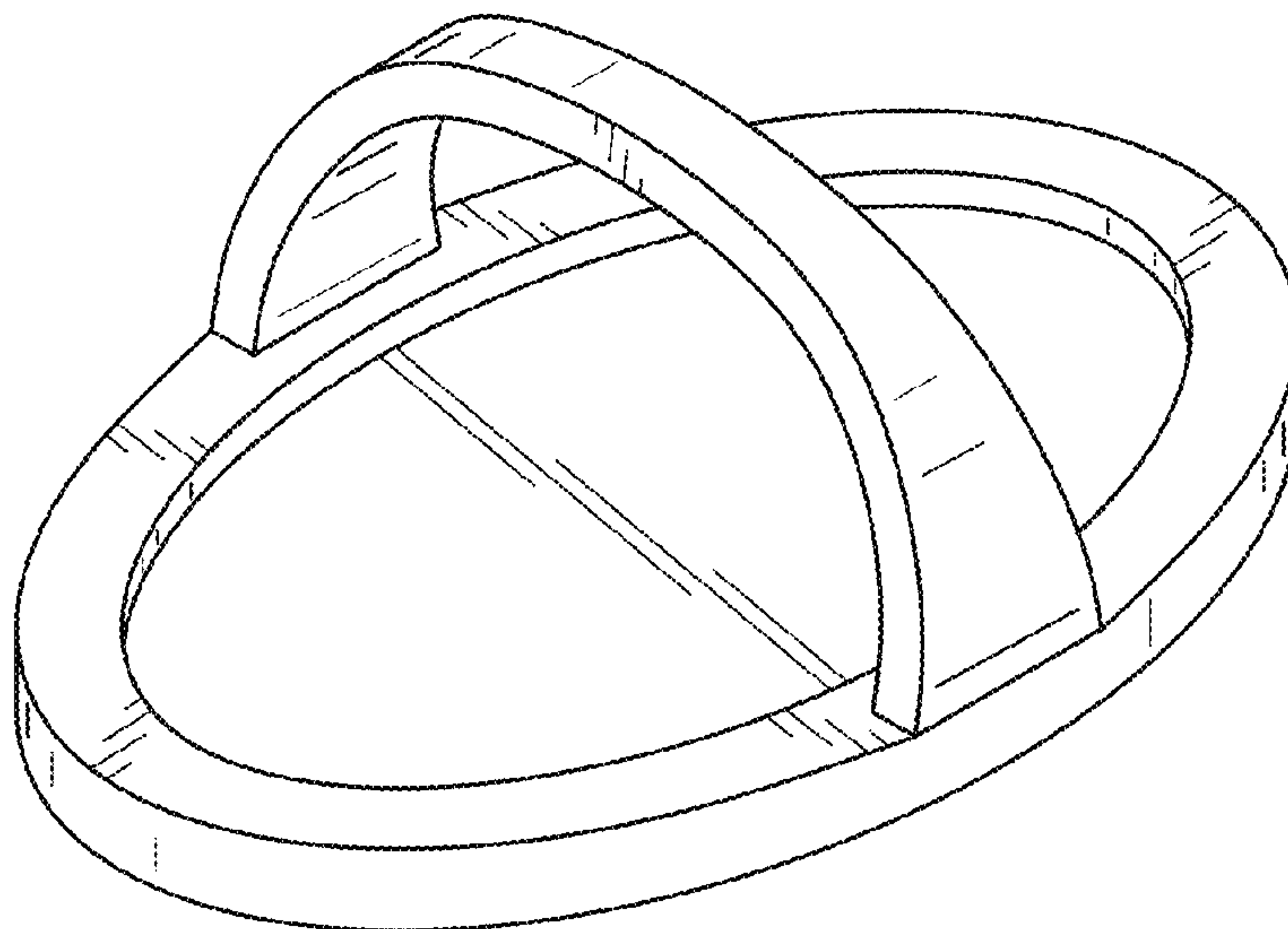
(57) **CLAIM**

The ornamental design for a fingertip protector, as shown and described.

**DESCRIPTION**

FIG. 1 is a top right side perspective view of a fingertip protector showing my new design;  
 FIG. 2 is a bottom left side perspective view thereof;  
 FIG. 3 is a right side elevation view thereof;  
 FIG. 4 is a left side elevation view thereof;  
 FIG. 5 is a front side elevation view with the back side elevation view being a mirror image thereof;  
 FIG. 6 is a top side plan view thereof; and,  
 FIG. 7 is a bottom side plan view thereof.

**1 Claim, 7 Drawing Sheets**



(56)

**References Cited**

OTHER PUBLICATIONS

Finger Tip Protectors, posted at [fingertipprotectors.com](http://fingertipprotectors.com), posting date not given, [online], [site visited Oct. 26, 2017]. Available from Internet, URL: <http://www.fingertipprotectors.com/>.\*

Luciring, posted at [luciring.com](http://luciring.com), posting date not given, [online], [site visited Oct. 26, 2017]. Available from Internet, URL: <http://www.luciring.com/>.\*

\* cited by examiner

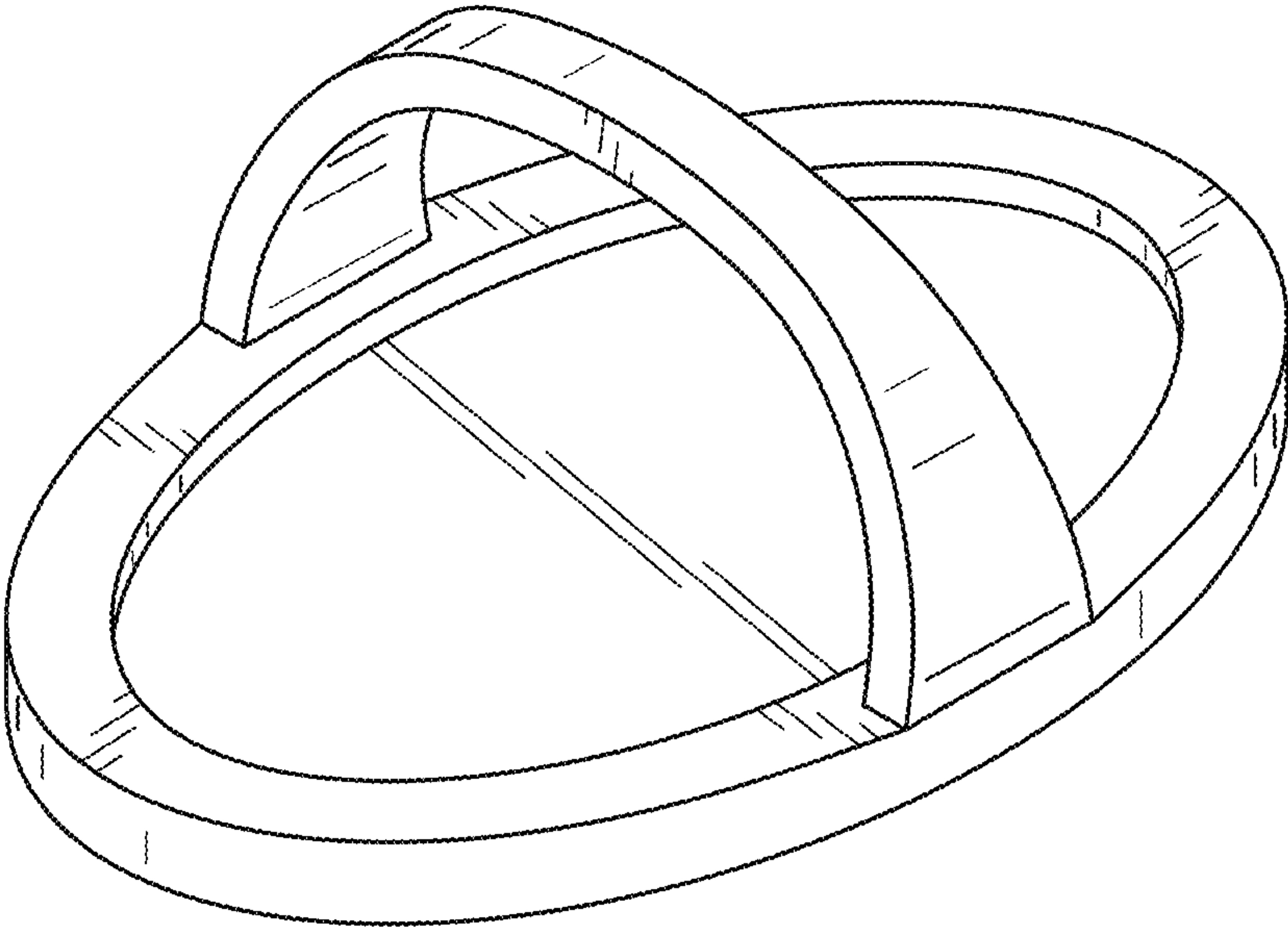


FIG. 1

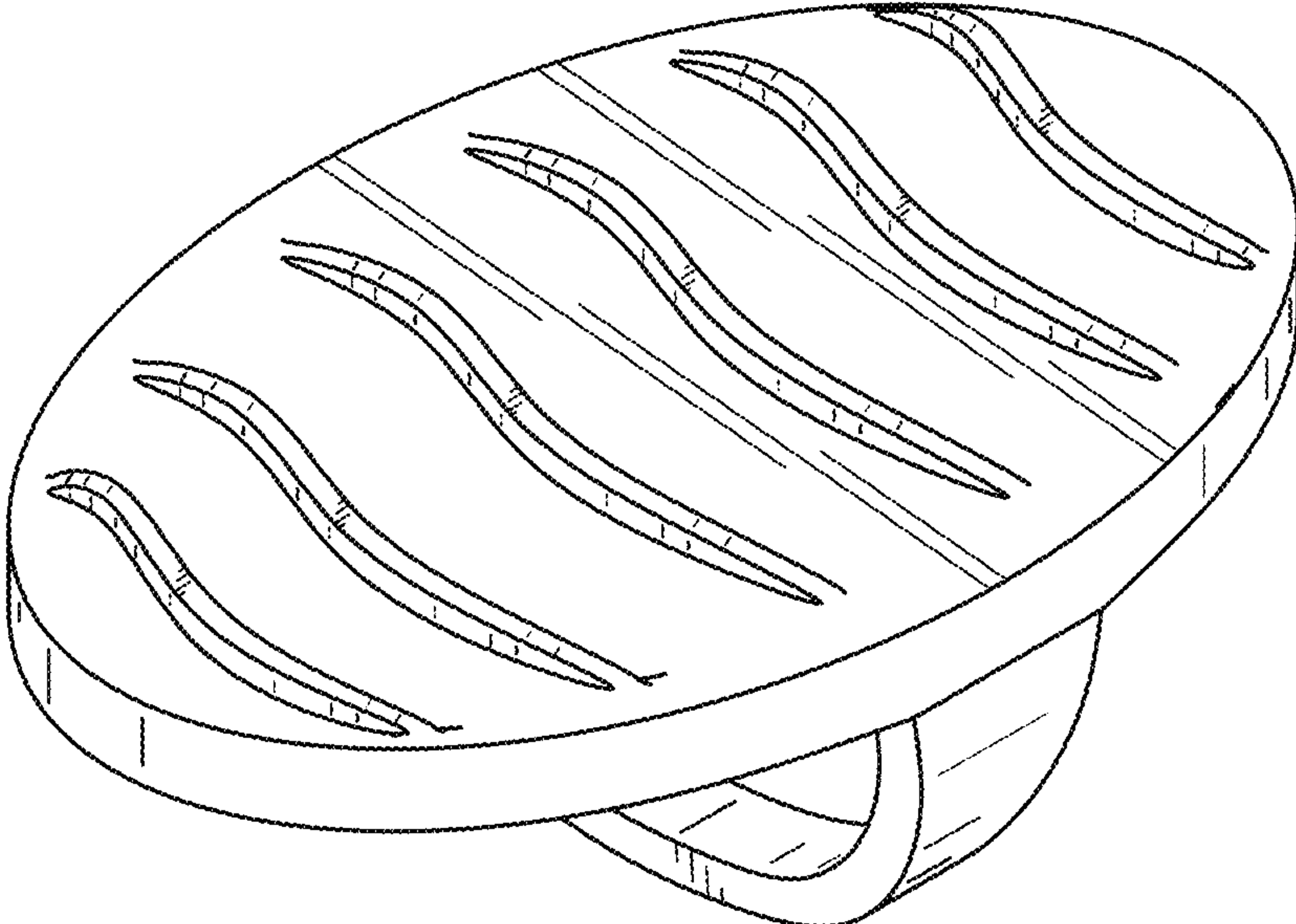


FIG. 2

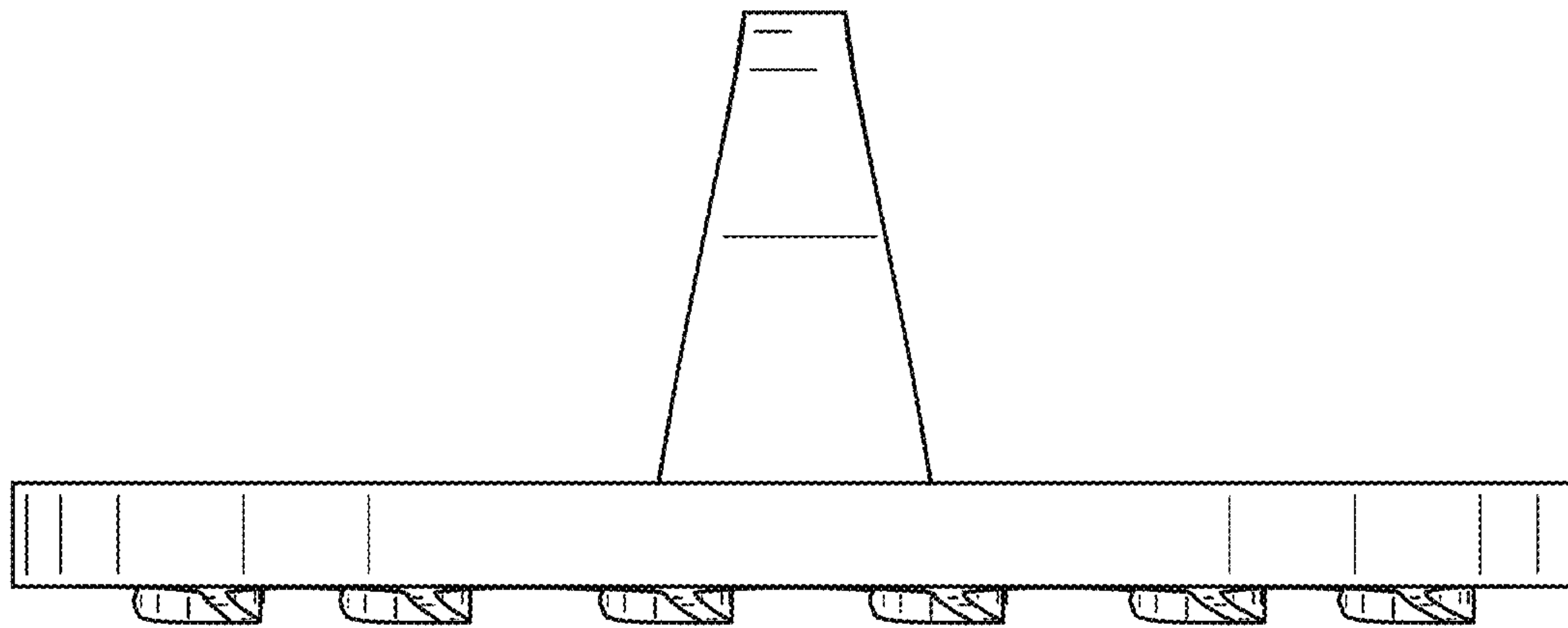


FIG. 3

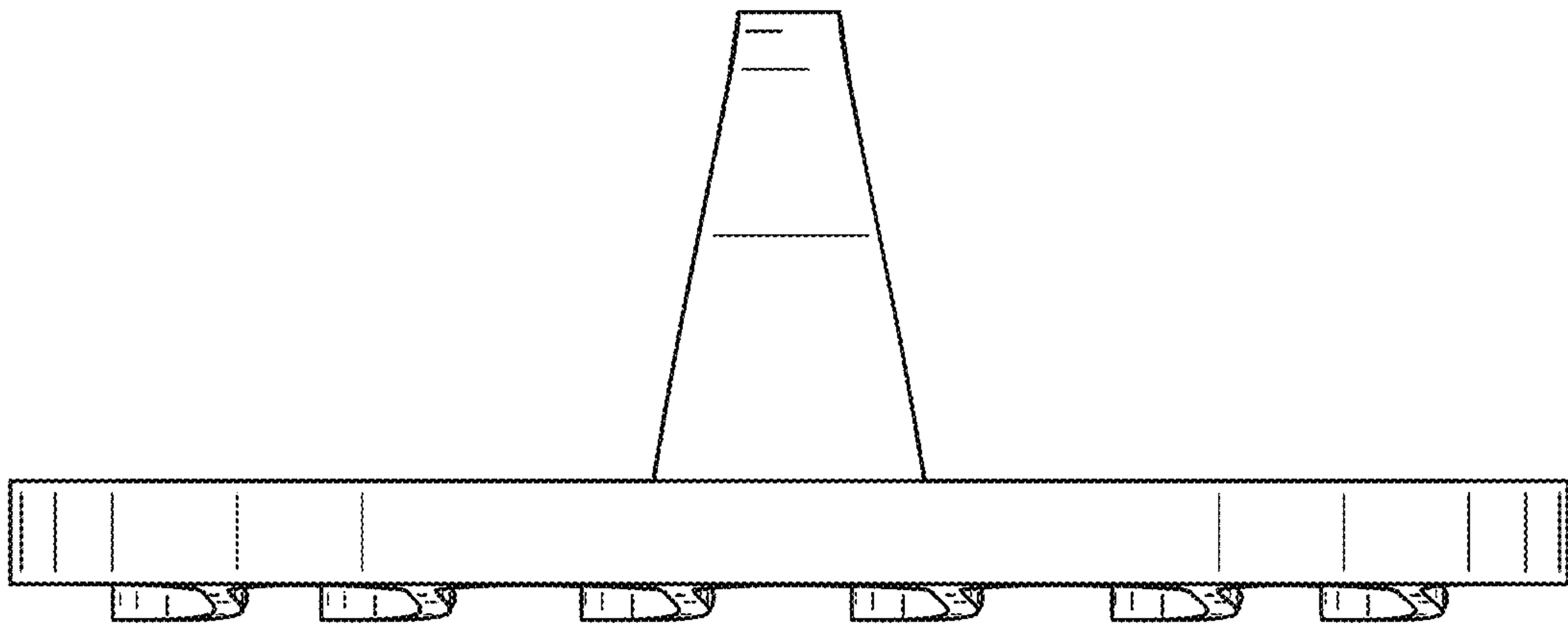


FIG. 4

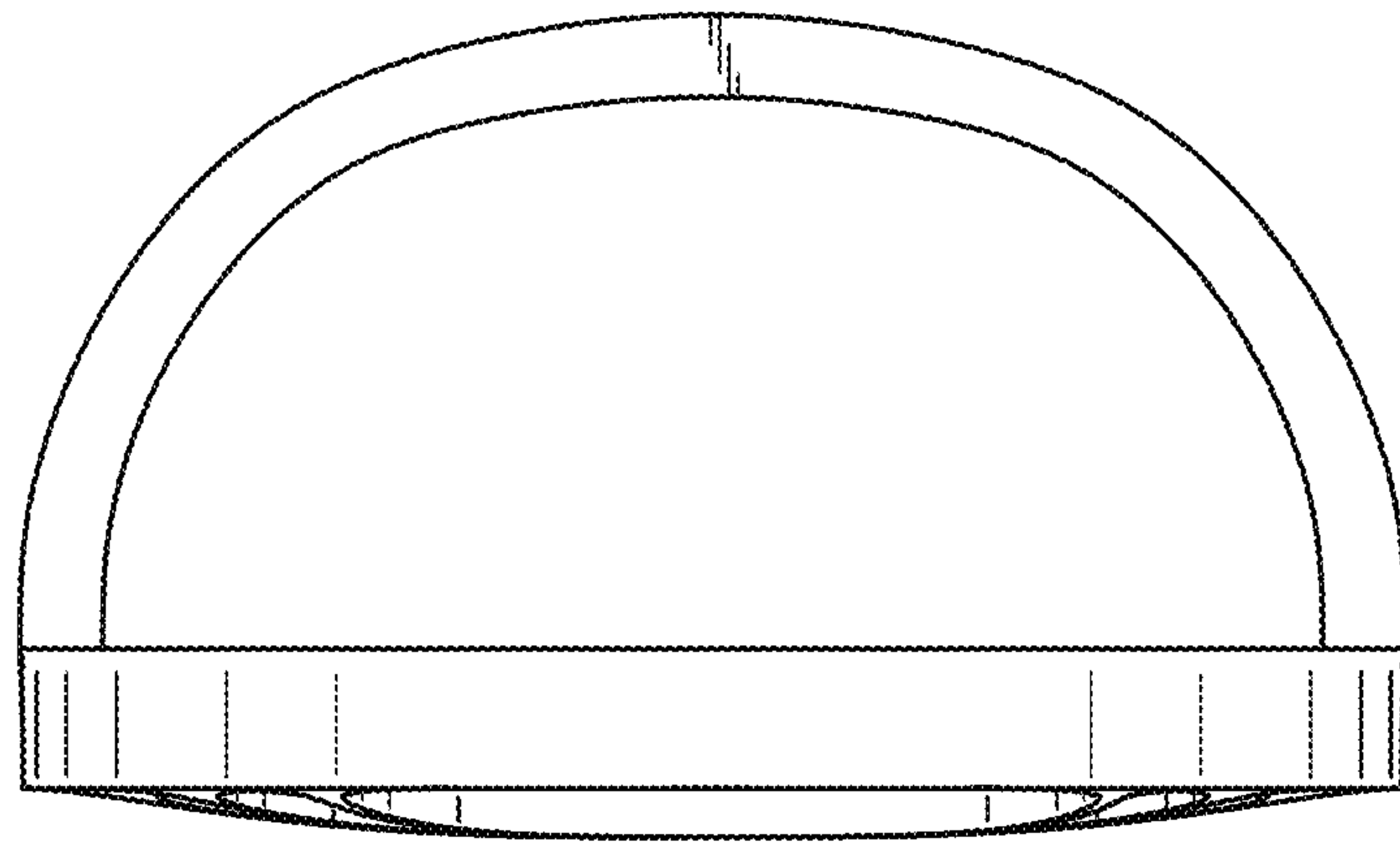


FIG. 5



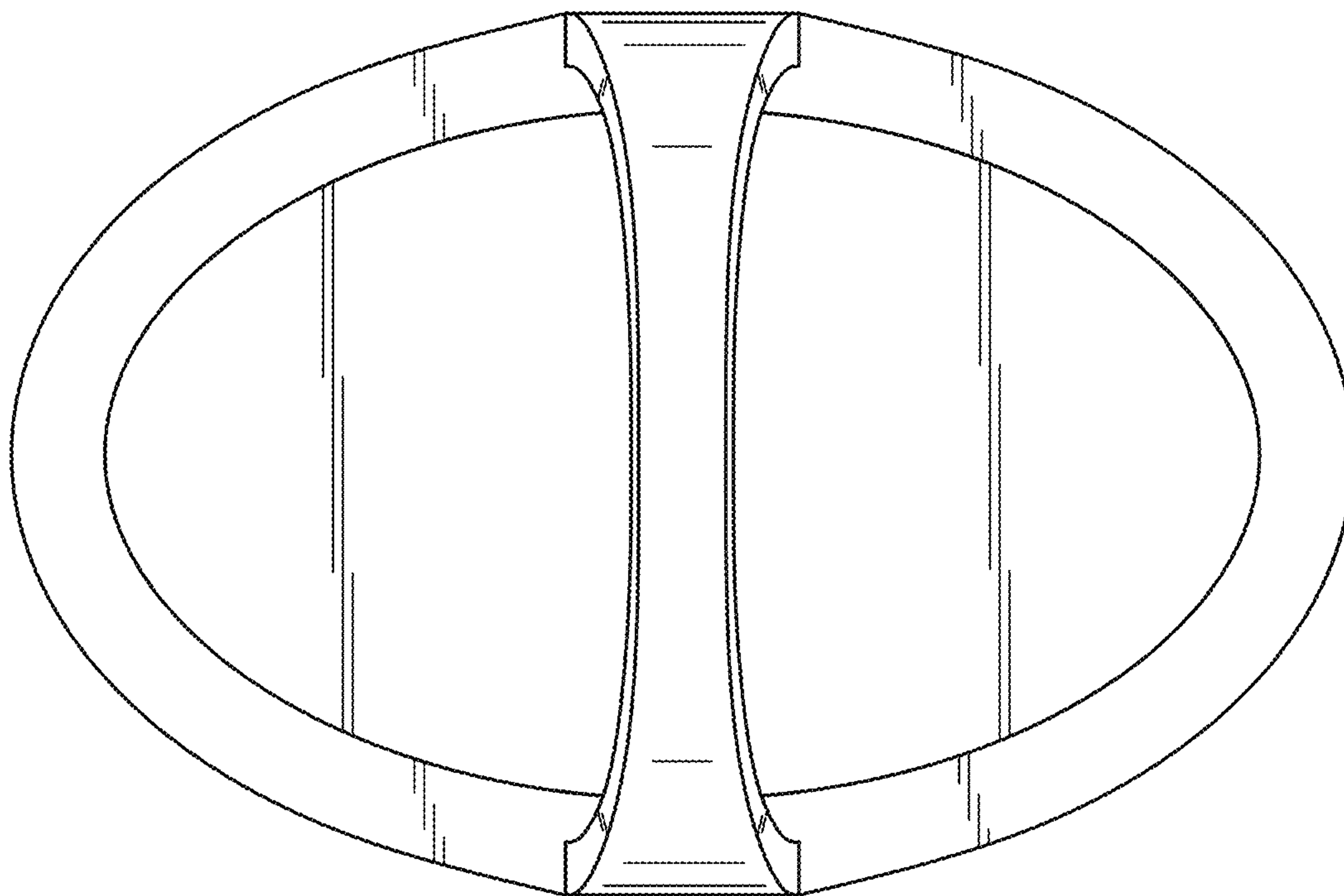


FIG. 6



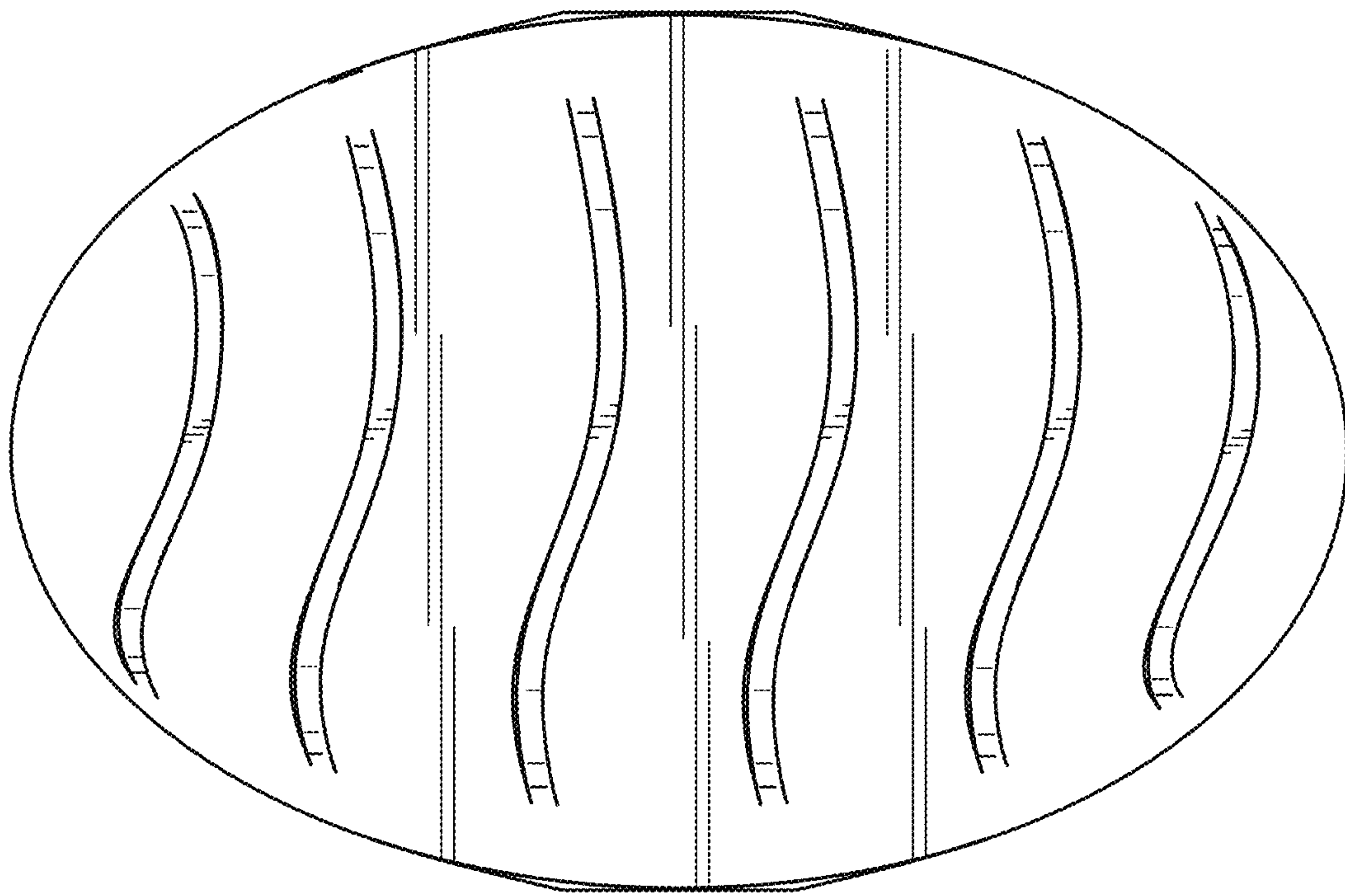


FIG. 7