



US00D829384S

(12) **United States Design Patent**
Paulson

(10) **Patent No.:** **US D829,384 S**

(45) **Date of Patent:** **** Sep. 25, 2018**

(54) **PROTECTIVE FACE SHIELD ASSEMBLY**

D675,788 S * 2/2013 Klotz D29/110
D712,598 S * 9/2014 Mehra D29/110
D802,117 S * 11/2017 Whitwood D24/110.3

(71) Applicant: **PAULSON MANUFACTURING CORPORATION**, Temecula, CA (US)

* cited by examiner

(72) Inventor: **Roy Paulson**, Murietta, CA (US)

Primary Examiner — Robert A Delehanty

(73) Assignee: **PAULSON MANUFACTURING CORPORATION**, Temecula, CA (US)

(74) *Attorney, Agent, or Firm* — The Maxham Firm

(**) Term: **15 Years**

(57) **CLAIM**

The ornamental design for a protective face shield assembly, as shown and described.

(21) Appl. No.: **29/629,103**

DESCRIPTION

(22) Filed: **Dec. 11, 2017**

(51) **LOC (11) Cl.** **29-02**

(52) **U.S. Cl.**
USPC **D29/110**

(58) **Field of Classification Search**
USPC D29/108–110, 102–107, 122;
D24/110.1–110.3

See application file for complete search history.

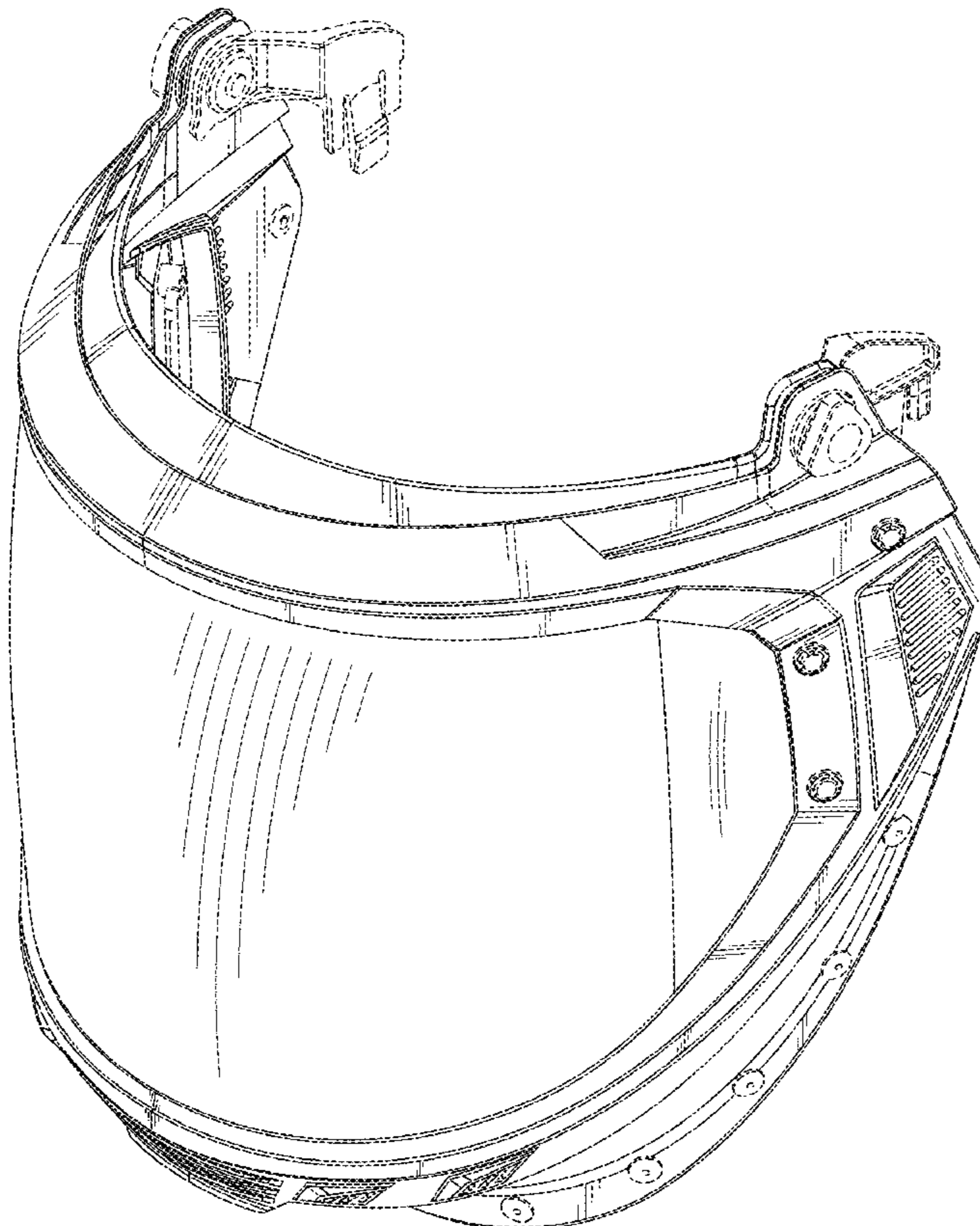
FIG. 1 is a perspective view of the protective face shield assembly according to the invention;
FIG. 2 is a front view thereof;
FIG. 3 is a rear view thereof;
FIG. 4 is a right-side view thereof, the opposite side being a mirror image thereof;
FIG. 5 is a top view thereof;
FIG. 6 is a bottom view thereof; and,
FIG. 7 is a perspective view of the protective face shield raised with respect to the inner frame.
The broken lines showing portions of the shield and helmet to which it is shown attached in FIG. 7 form no part of the claimed design.

(56) **References Cited**

U.S. PATENT DOCUMENTS

D668,758 S * 10/2012 Hall D24/110.2

1 Claim, 7 Drawing Sheets



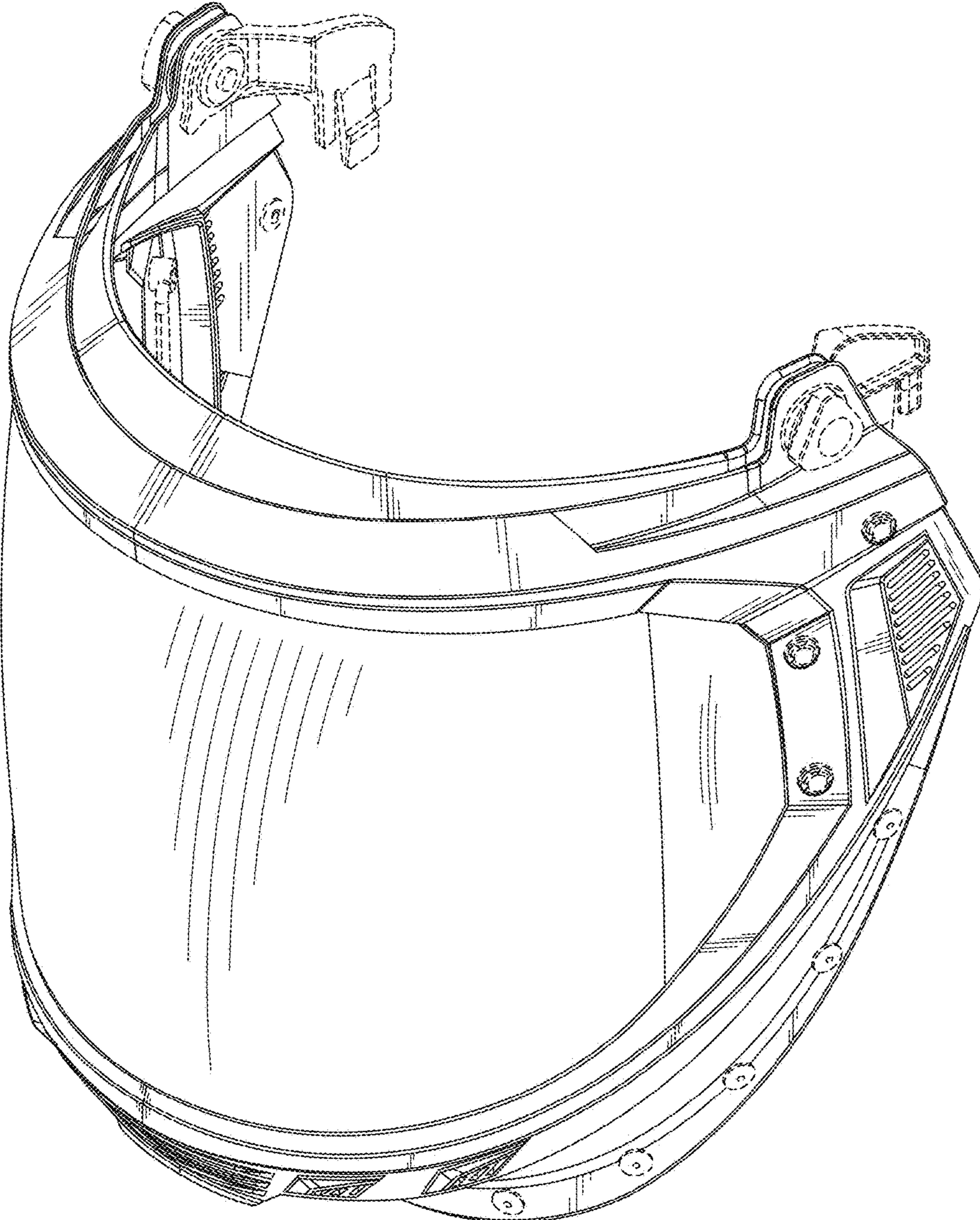


FIG. 1

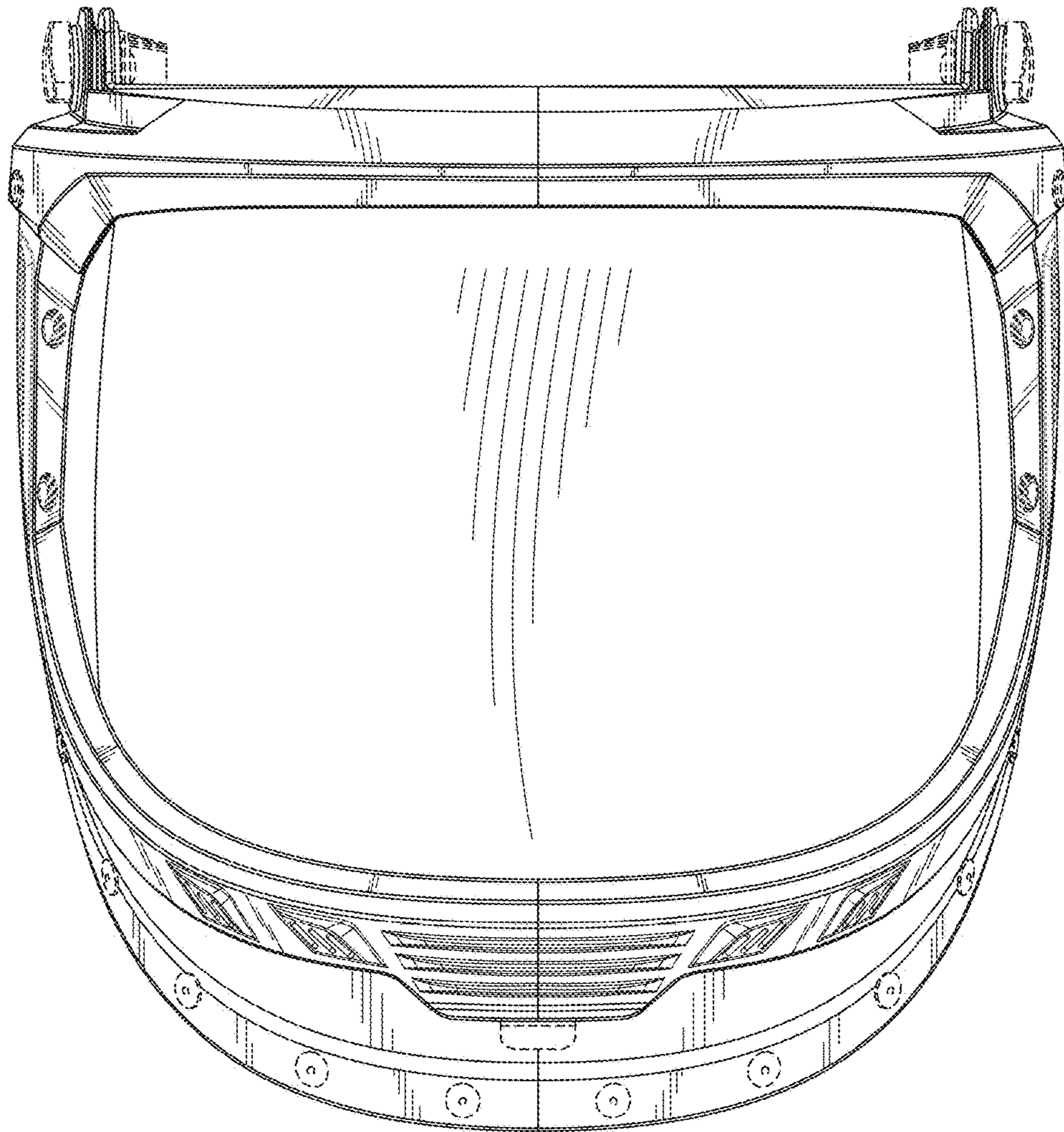


FIG. 2

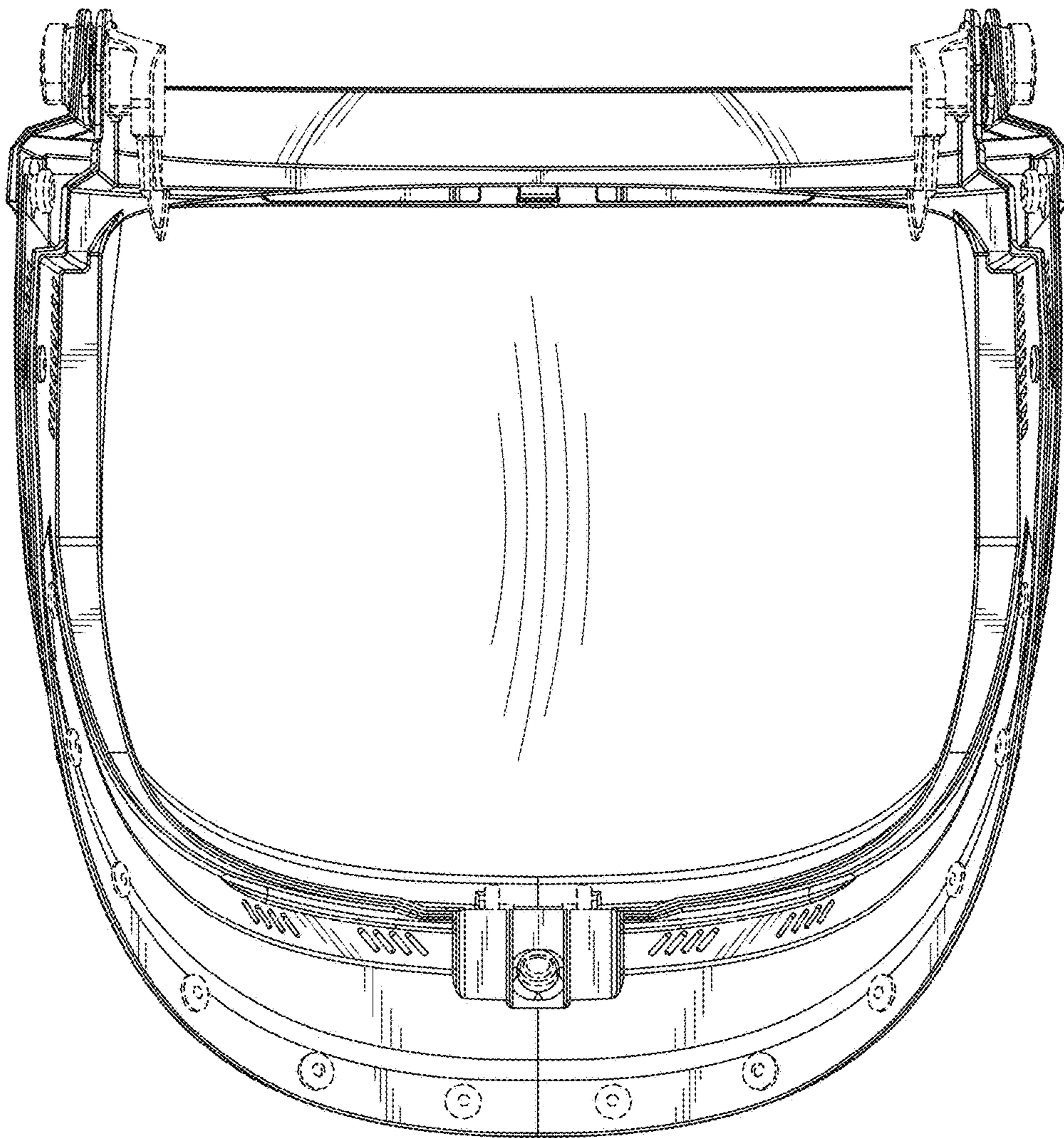


FIG. 3

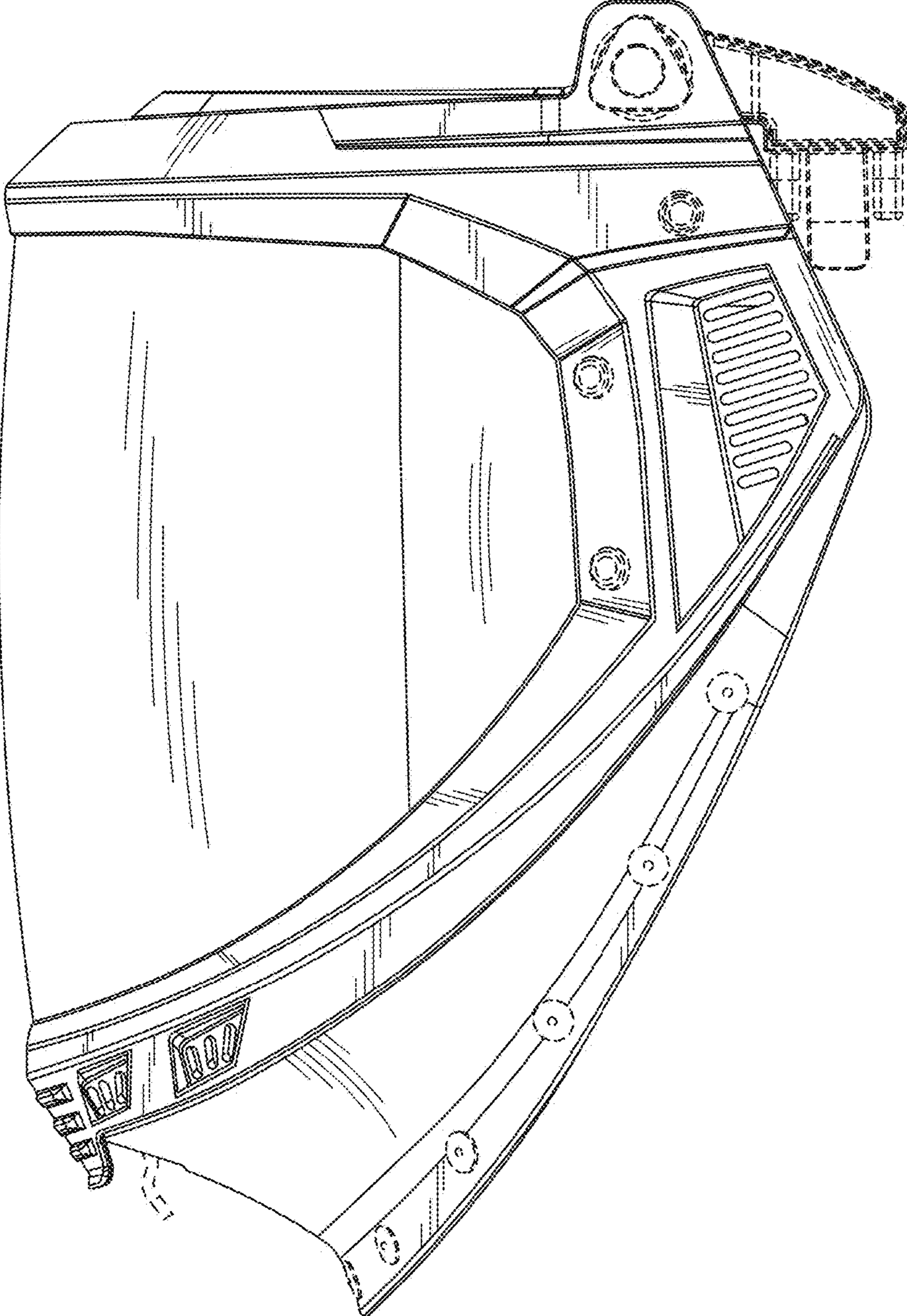


FIG. 4

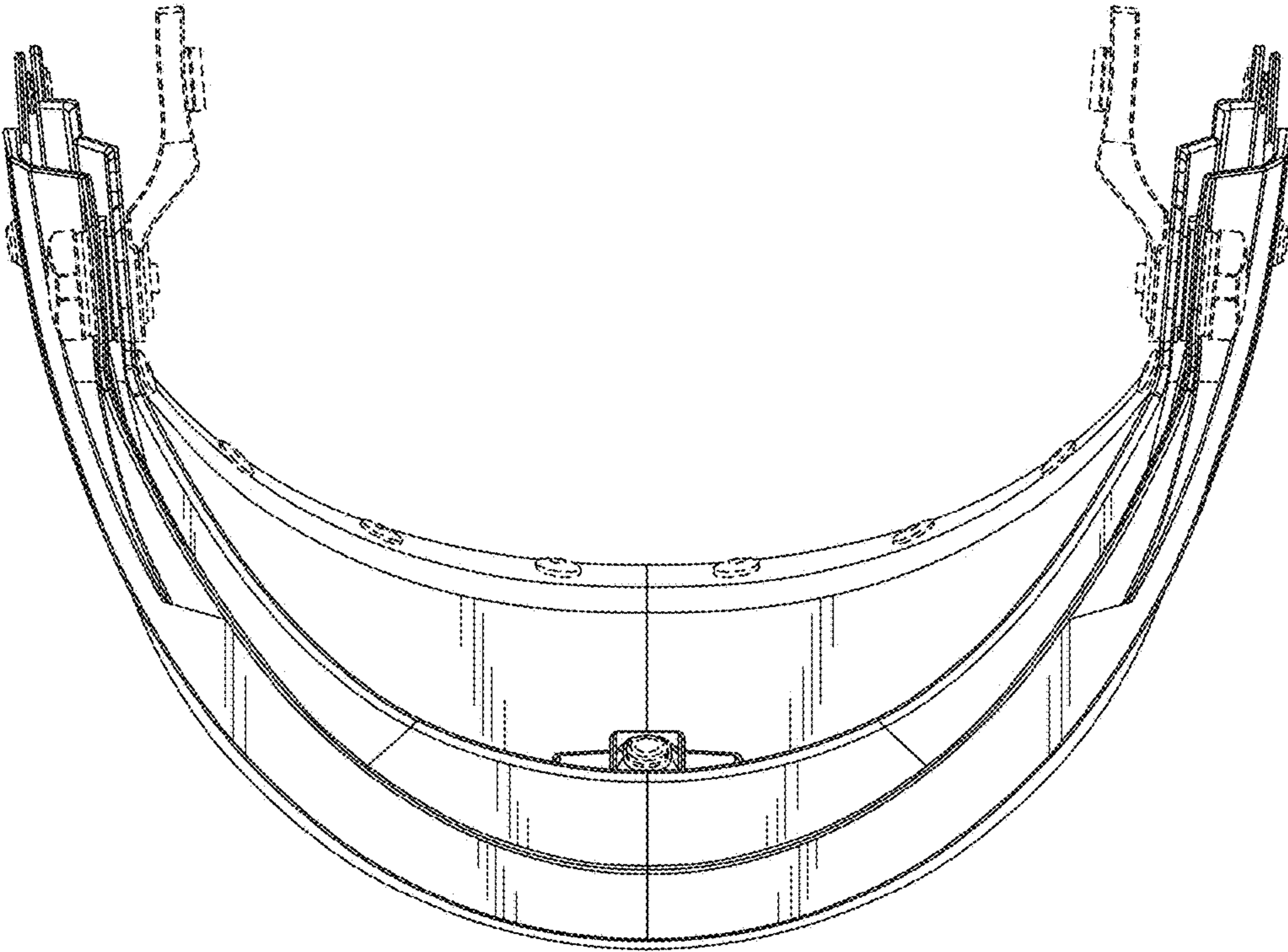


FIG. 5

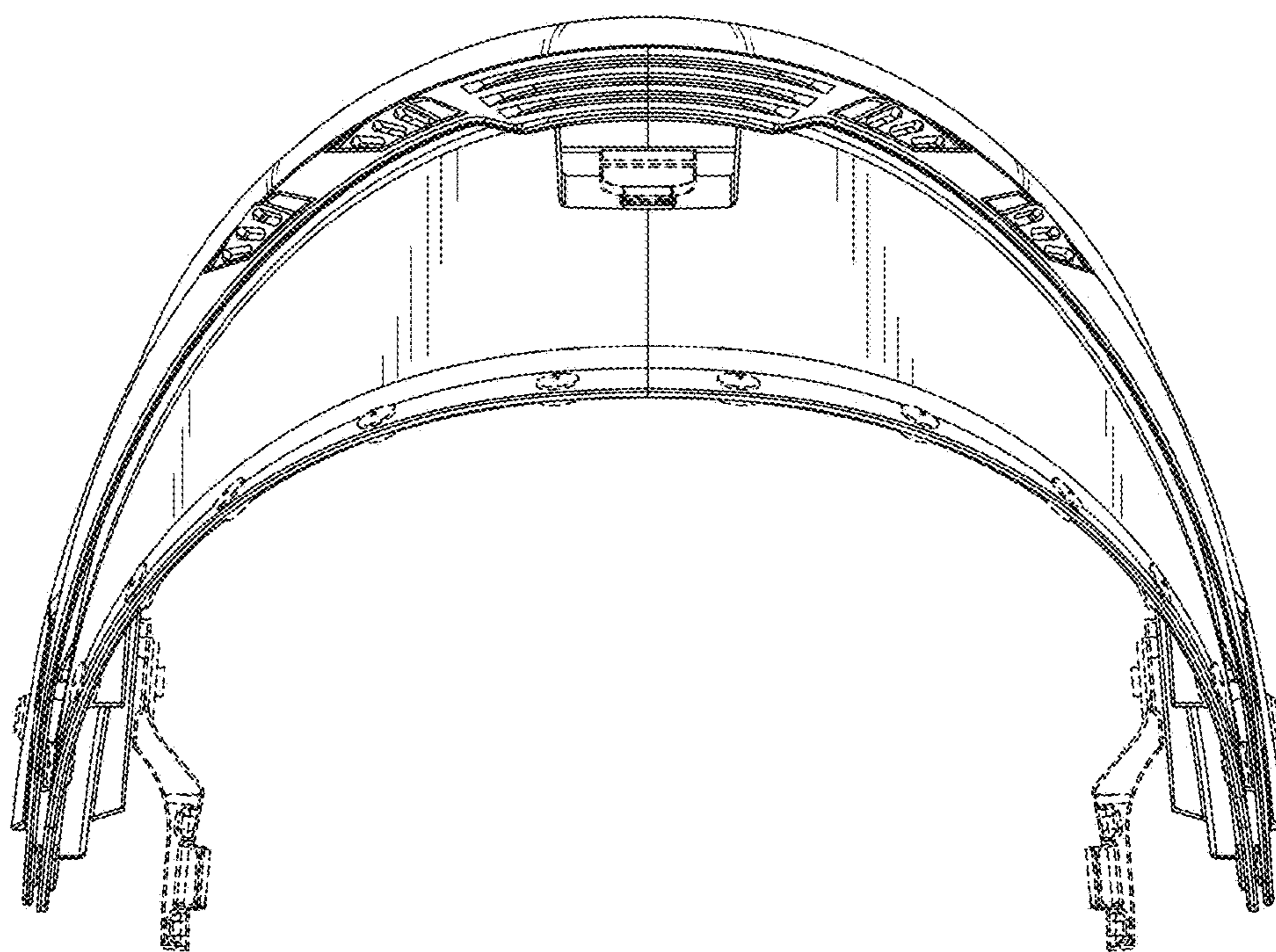


FIG. 6

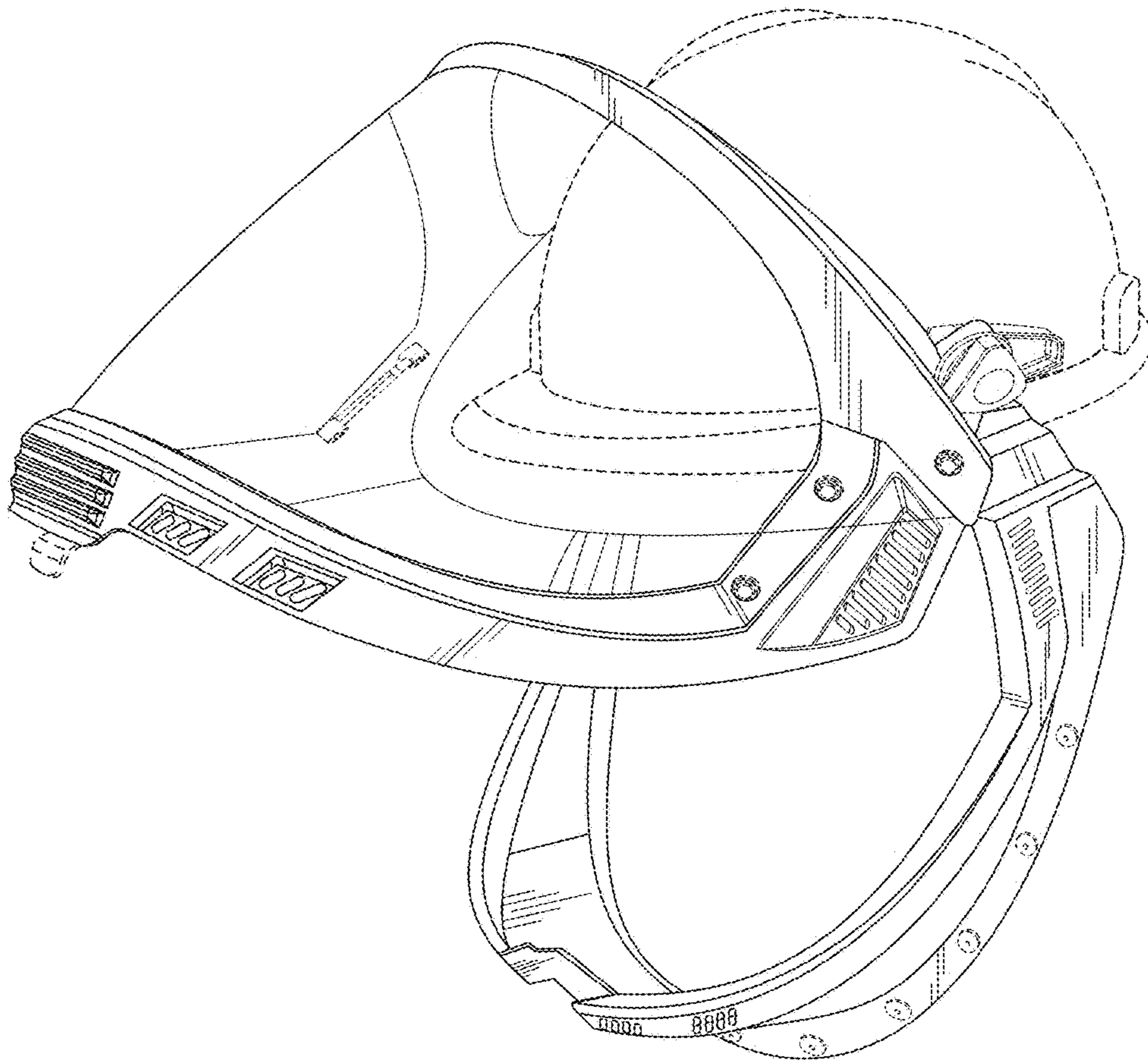


FIG. 7