



US00D829381S

(12) **United States Design Patent** (10) **Patent No.:** **US D829,381 S**
Kim (45) **Date of Patent:** **** Sep. 25, 2018**

(54) **EYELASH CASE**
(71) Applicant: **Lawrence Kim**, Los Angeles, CA (US)
(72) Inventor: **Lawrence Kim**, Los Angeles, CA (US)
(**) Term: **15 Years**
(21) Appl. No.: **29/601,402**

4,018,336 A * 4/1977 Aylott A41G 5/02
132/216
8,424,542 B1 * 4/2013 Han A45C 11/00
132/212
9,044,077 B1 * 6/2015 Lin A45D 44/00
9,504,285 B2 * 11/2016 Lin B65D 73/00
2013/0160787 A1 * 6/2013 Chae A41G 5/02
132/201
2014/0110304 A1 * 4/2014 Wu B65D 25/54
206/776

(22) Filed: **Apr. 21, 2017**
(51) **LOC (11) Cl.** **28-04**
(52) **U.S. Cl.**
USPC **D28/93**
(58) **Field of Classification Search**
USPC D9/423, 432, 428; 206/526, 776;
132/217, 216, 286
CPC A41G 5/02; B65D 25/54
See application file for complete search history.

* cited by examiner

Primary Examiner — Susan Bennett Hattan
Assistant Examiner — Rebecca Tsehaye
(74) *Attorney, Agent, or Firm* — Chanmin Park

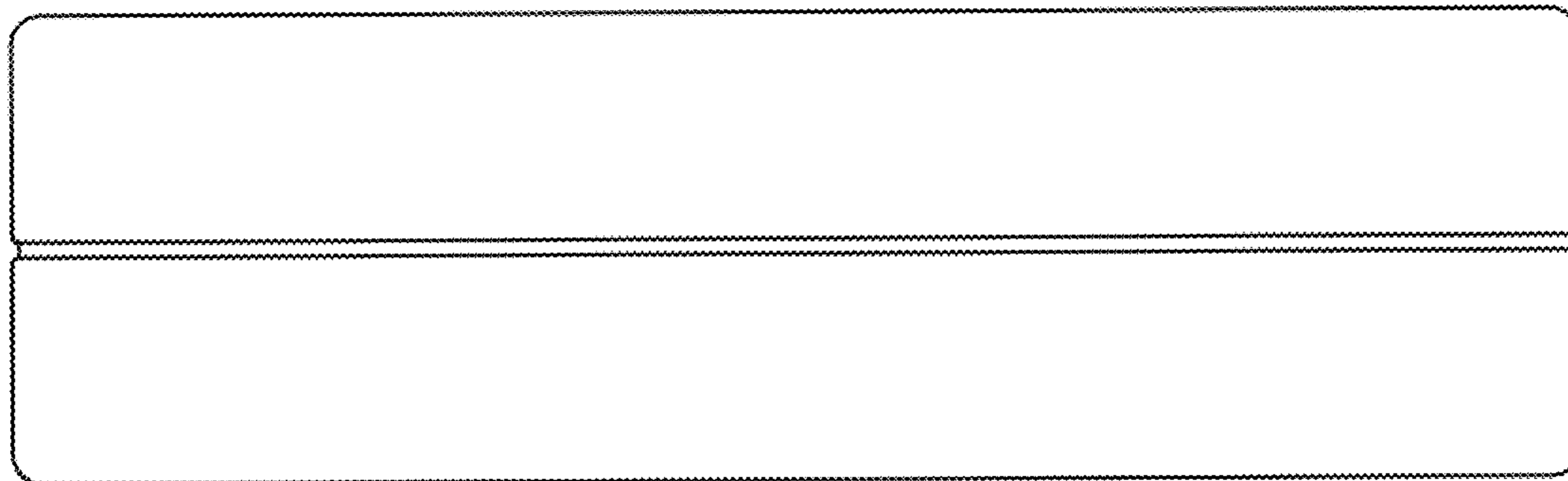
(57) **CLAIM**
The ornamental design for an eyelash case, as shown and described.

DESCRIPTION

FIG. 1 is a side elevation view of an eyelash case showing my design;
FIG. 2 is a perspective view thereof;
FIG. 3 is a bottom plan view thereof; and,
FIG. 4 is a top plan view thereof.
The broken lines in the drawings depict parts of the eyelash case that form no part of the claimed design.

1 Claim, 2 Drawing Sheets

(56) **References Cited**
U.S. PATENT DOCUMENTS
3,333,593 A * 8/1967 McGivern A41G 5/02
132/217
3,491,775 A * 1/1970 Aylott A41G 5/02
132/216



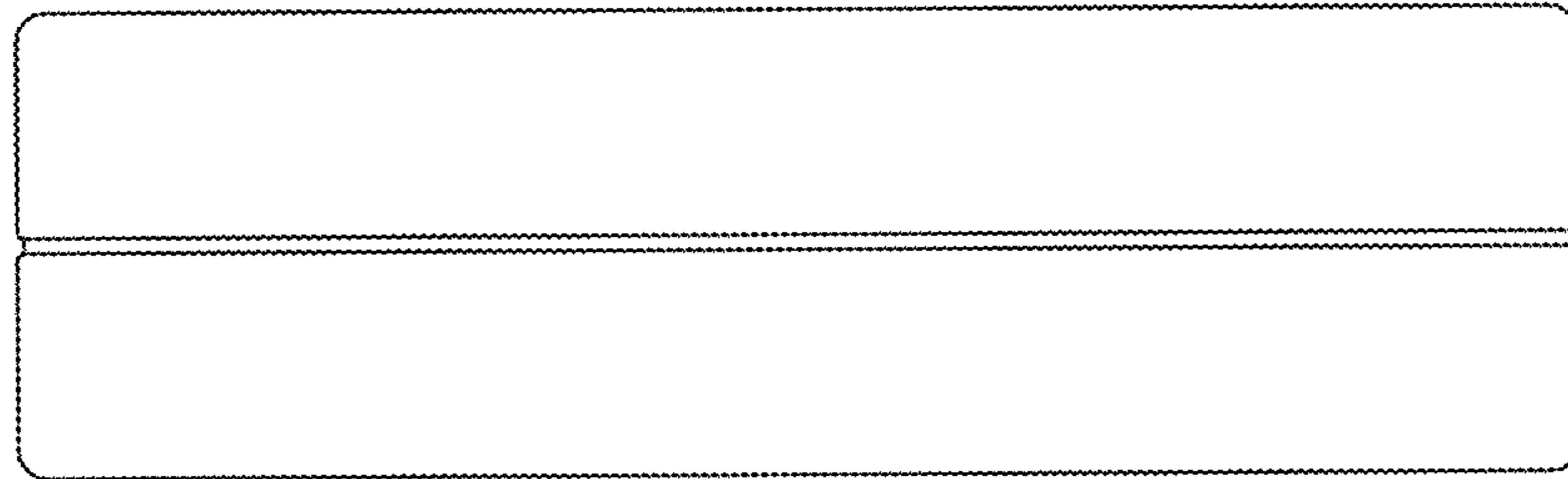


FIG.1

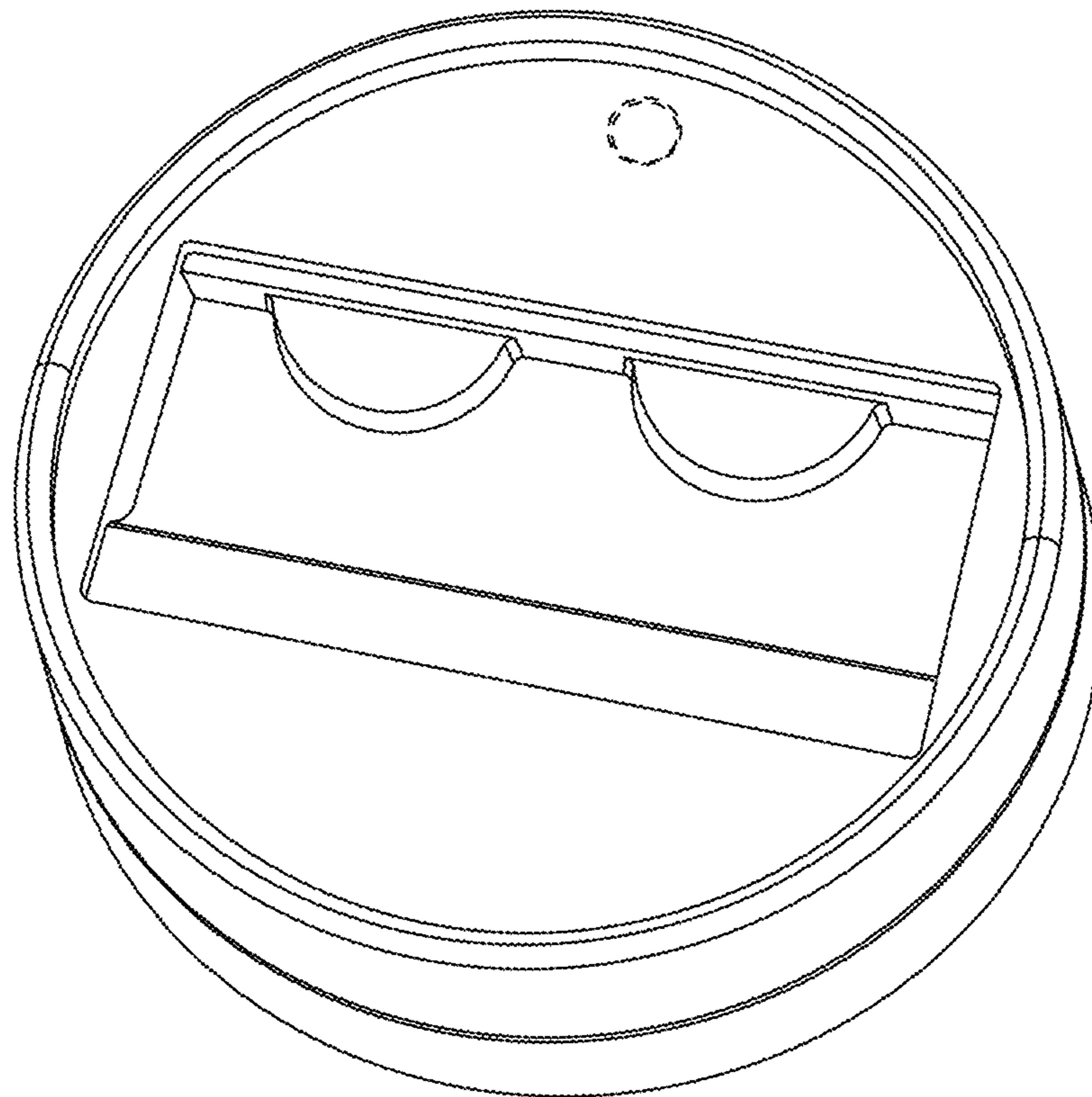


FIG.2

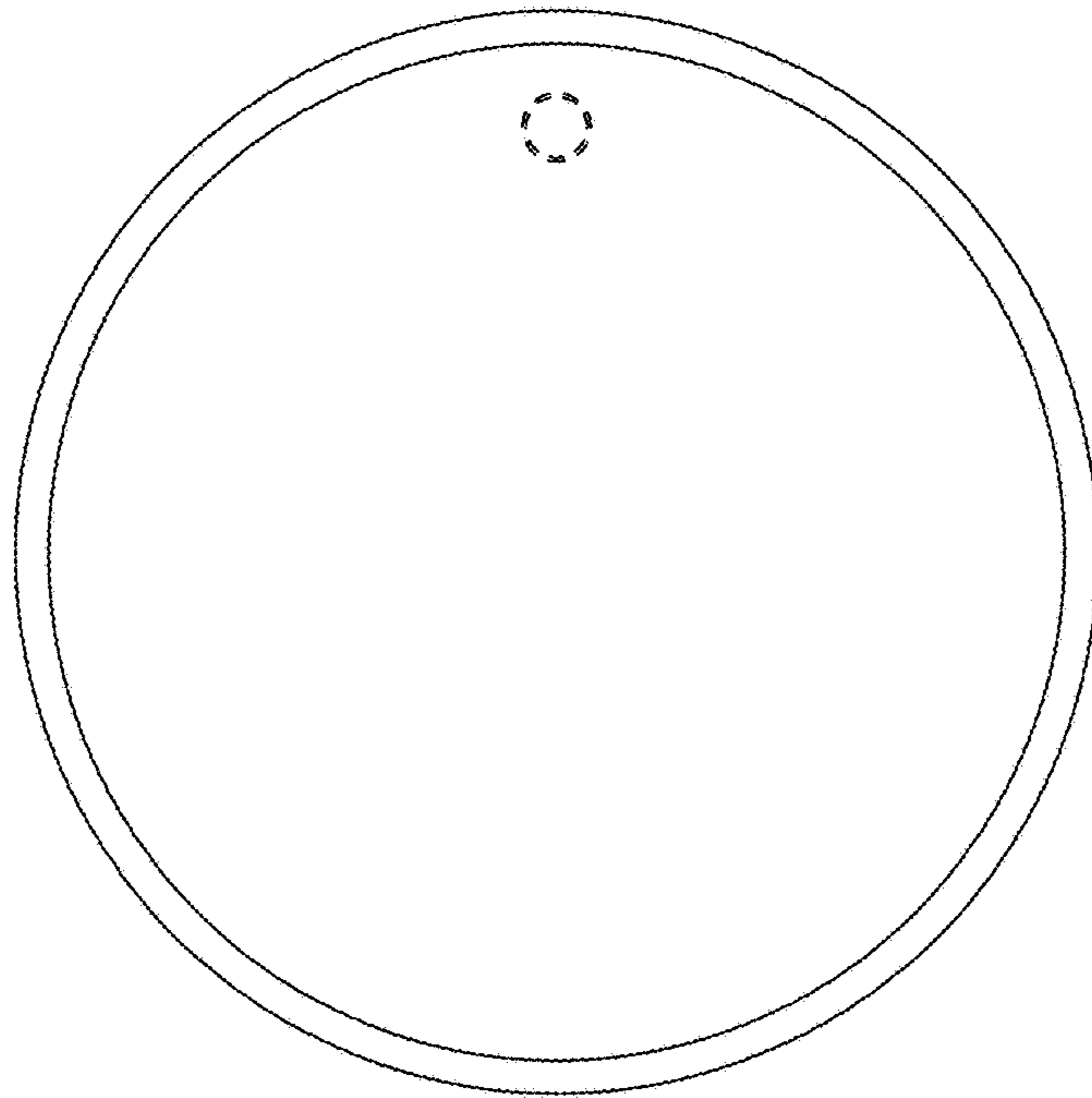


FIG.3

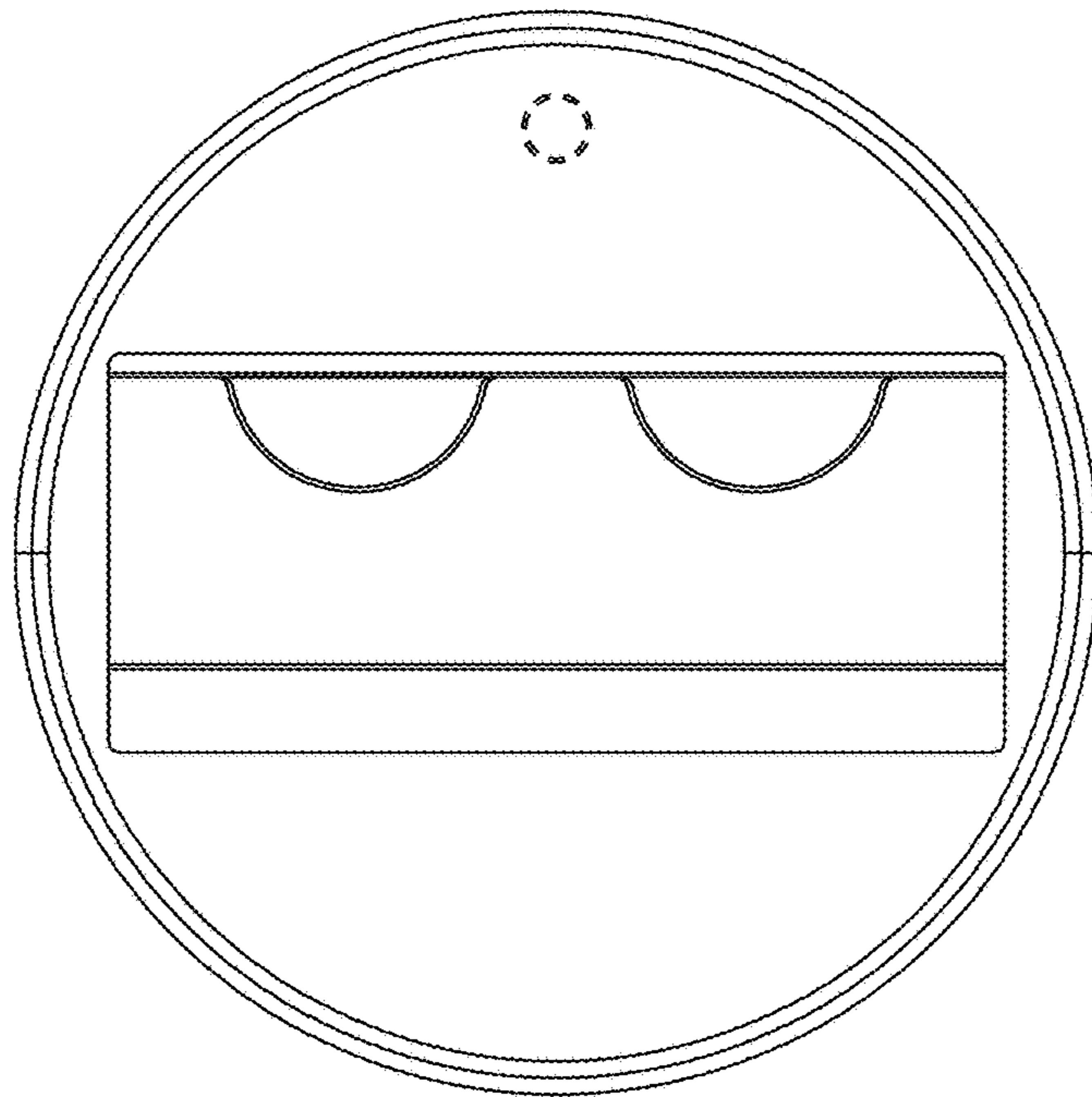


FIG.4