



US00D829380S

(12) **United States Design Patent** (10) **Patent No.:** **US D829,380 S**
Kong (45) **Date of Patent:** **** Sep. 25, 2018**

(54) **RAZOR CARTRIDGE**
(71) Applicant: **Dorco Co., Ltd.**, Seoul (KR)
(72) Inventor: **Nam-Yoon Kong**, Seoul (KR)
(73) Assignee: **Dorco Co., Ltd.**, Seoul (KR)
(**) Term: **15 Years**
(21) Appl. No.: **29/585,031**

D638,580 S * 5/2011 Adams D28/46
D640,415 S * 6/2011 Wonderley D28/47
D653,395 S * 1/2012 Adams D28/47
D674,546 S * 1/2013 Barrow D28/46
D698,998 S * 2/2014 Lukan D28/46
D698,999 S * 2/2014 Otsuka D28/47
D772,484 S * 11/2016 Otsuka D28/47
D778,498 S * 2/2017 Petratou D28/47
2007/0180700 A9* 8/2007 Sandor A61K 8/361
30/41
2012/0151772 A1* 6/2012 Moon B26B 21/225
30/41

(22) Filed: **Nov. 18, 2016**
(30) **Foreign Application Priority Data**

May 20, 2016 (KR) 30-2016-0023994

(51) **LOC (11) Cl.** **28-03**

(52) **U.S. Cl.**
USPC **D28/47**

(58) **Field of Classification Search**
USPC D28/44, 45-48
CPC B26B 21/00-21/06; B26B 21/08-21/125;
B26B 21/40-21/4031; B26B 21/4043;
B26B 21/4062; B26B 21/4068-21/4075;
B26B 21/44-21/443; B26B 21/52-21/528
See application file for complete search history.

(56) **References Cited**
U.S. PATENT DOCUMENTS

D550,400 S * 9/2007 Orloff D28/47
D563,044 S * 2/2008 Ramm D28/47
D630,378 S * 1/2011 Jung D28/47
D631,198 S * 1/2011 Adams D28/47

* cited by examiner

Primary Examiner — Jennifer A Rivard

(74) *Attorney, Agent, or Firm* — Perkins Coie LLP

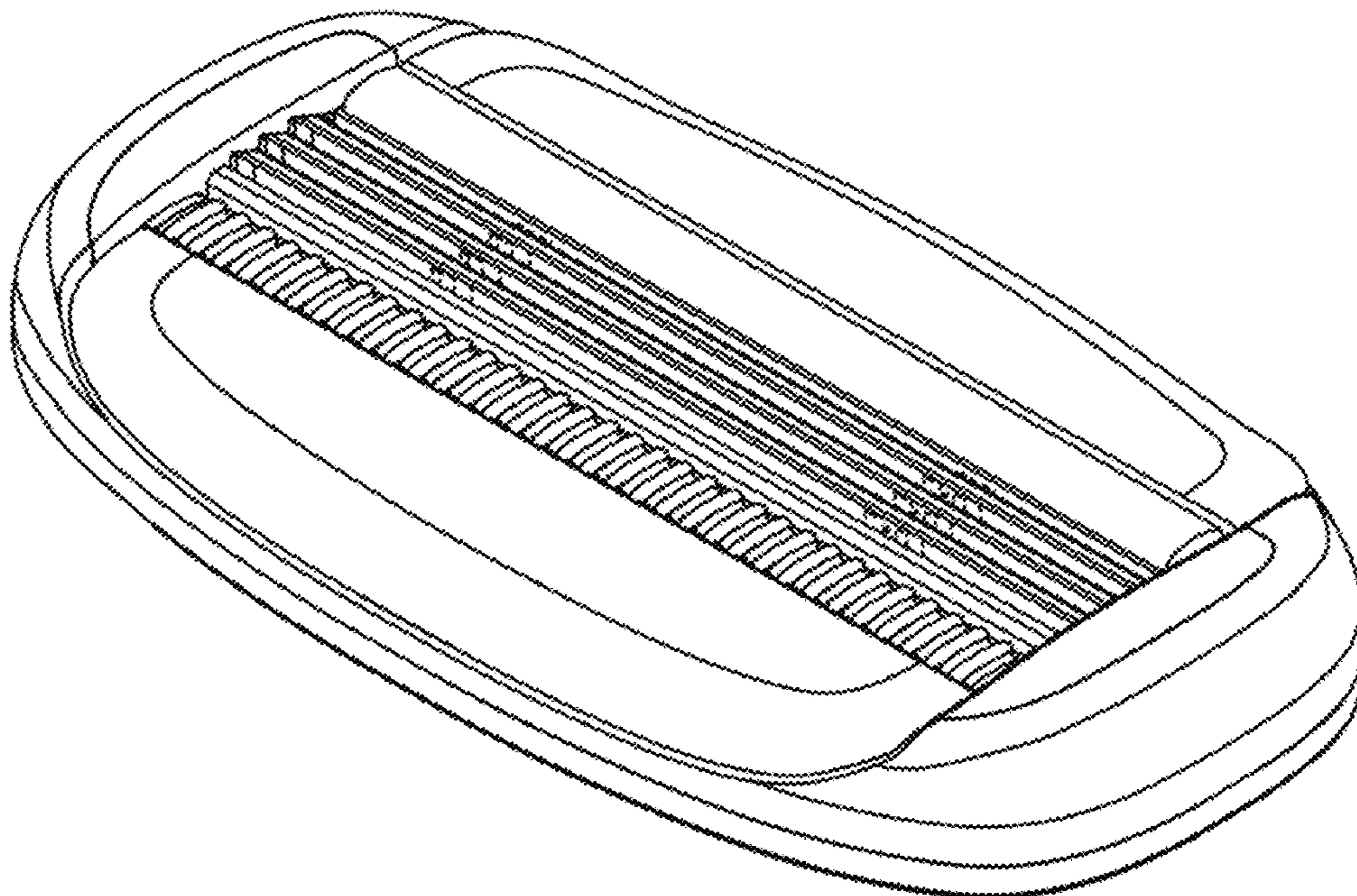
(57) **CLAIM**

The ornamental design for a razor cartridge, as shown and described.

DESCRIPTION

FIG. 1 is a perspective view of a razor cartridge showing my new design;
FIG. 2 is a first side view of the razor cartridge;
FIG. 3 is a second side view of the razor cartridge;
FIG. 4 is a front view of the razor cartridge;
FIG. 5 is a rear view of the razor cartridge;
FIG. 6 is a top plan view of the razor cartridge; and,
FIG. 7 is a bottom plan view of the razor cartridge.
The ornamental design of a razor cartridge is shown in FIGS. 1 through 7.
The broken lines illustrate portions of the razor cartridge and form no part of the claimed design.

1 Claim, 5 Drawing Sheets



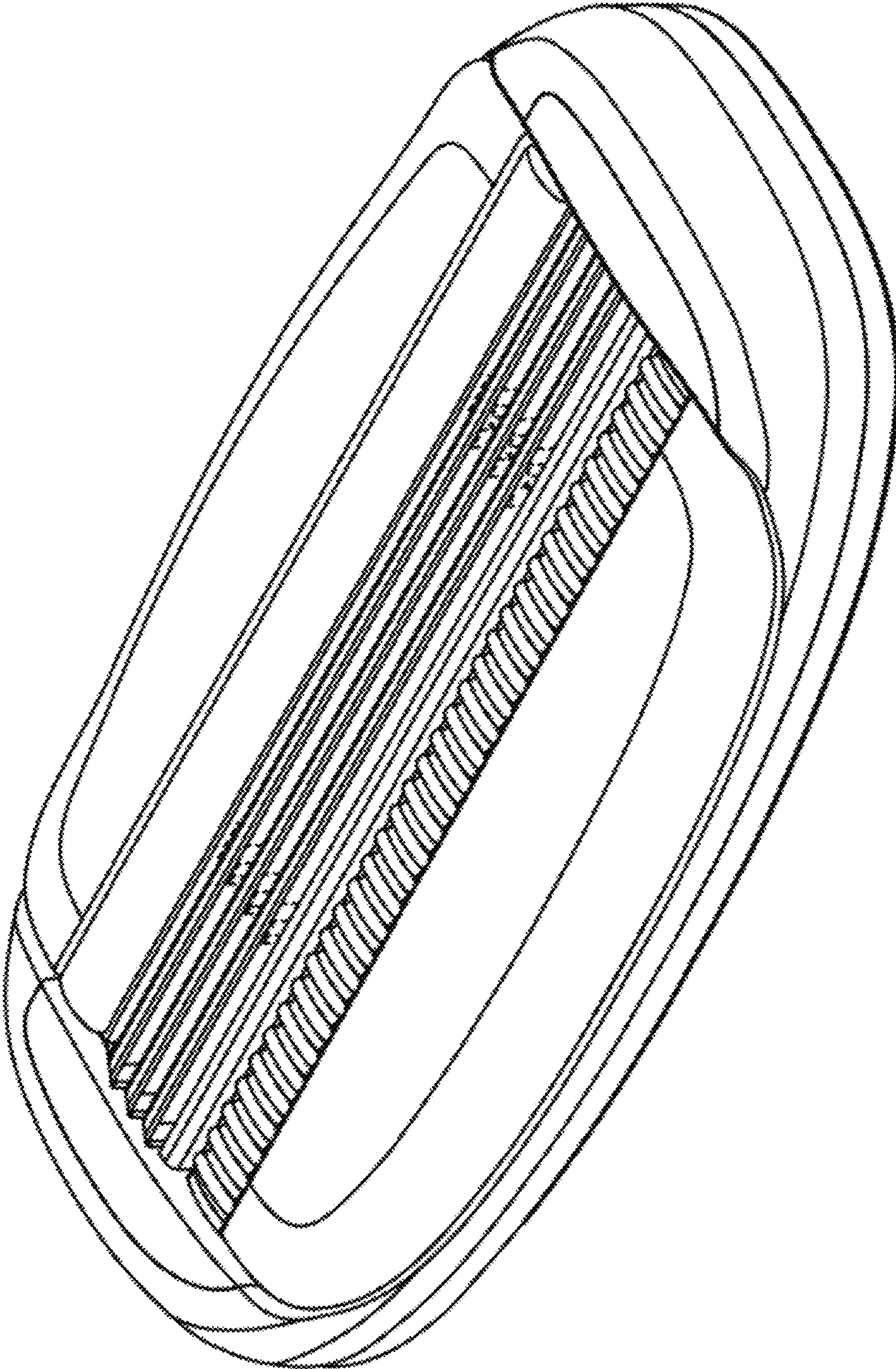


FIG. 1

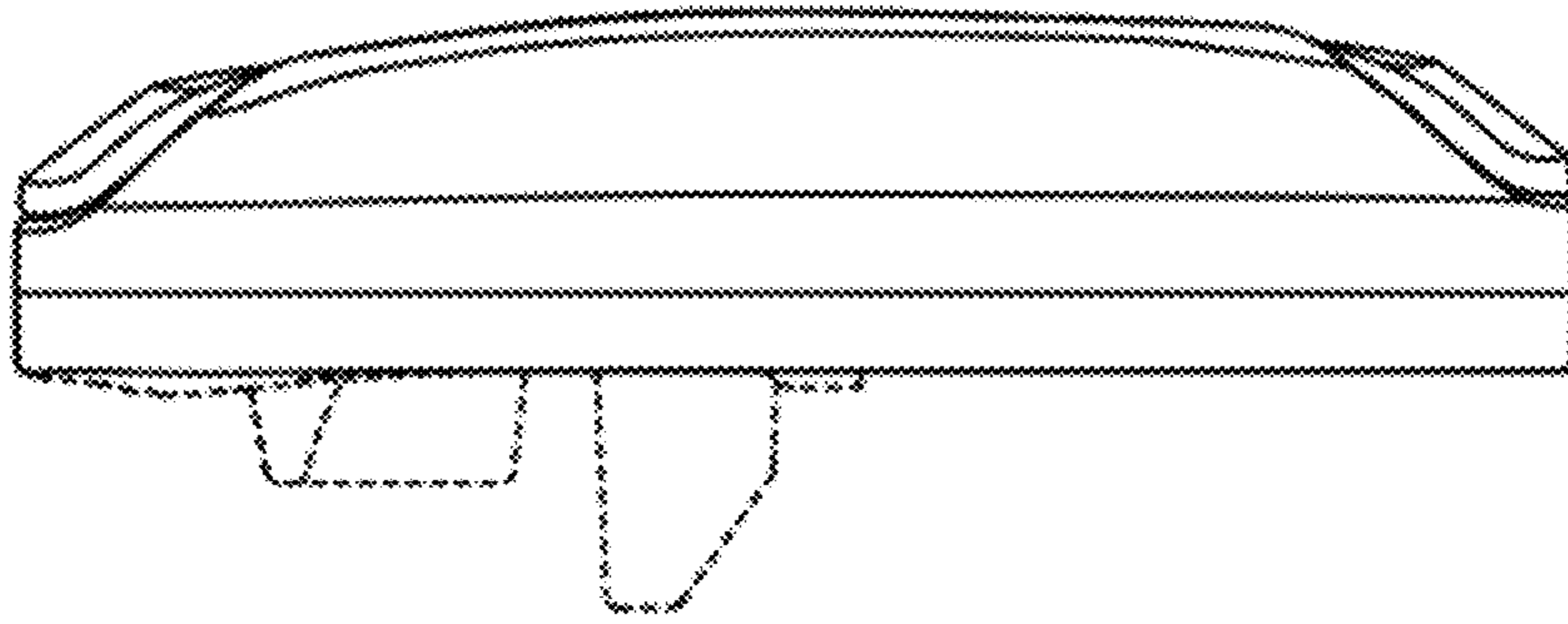


FIG. 2

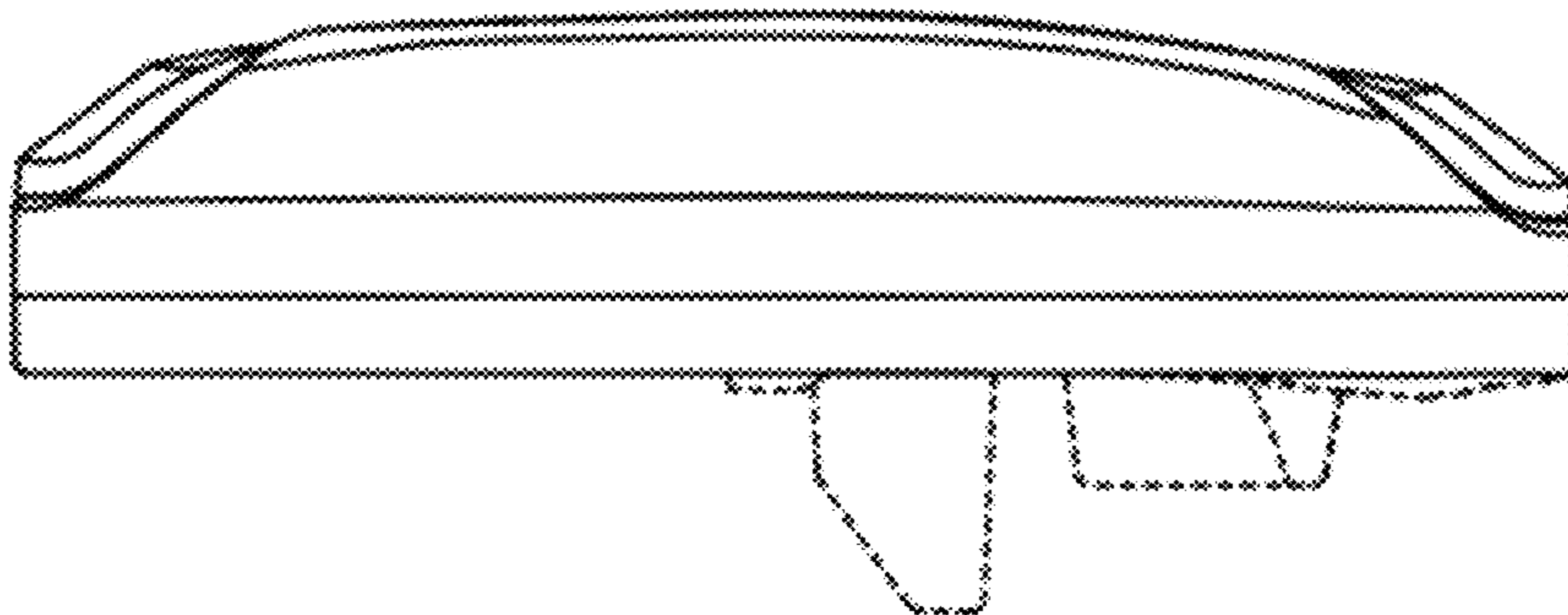


FIG. 3

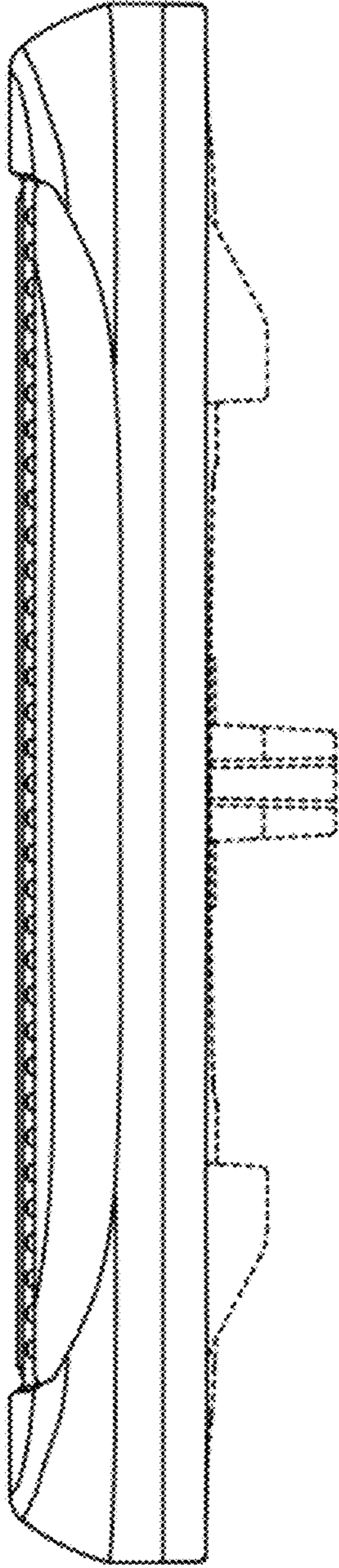


FIG. 4

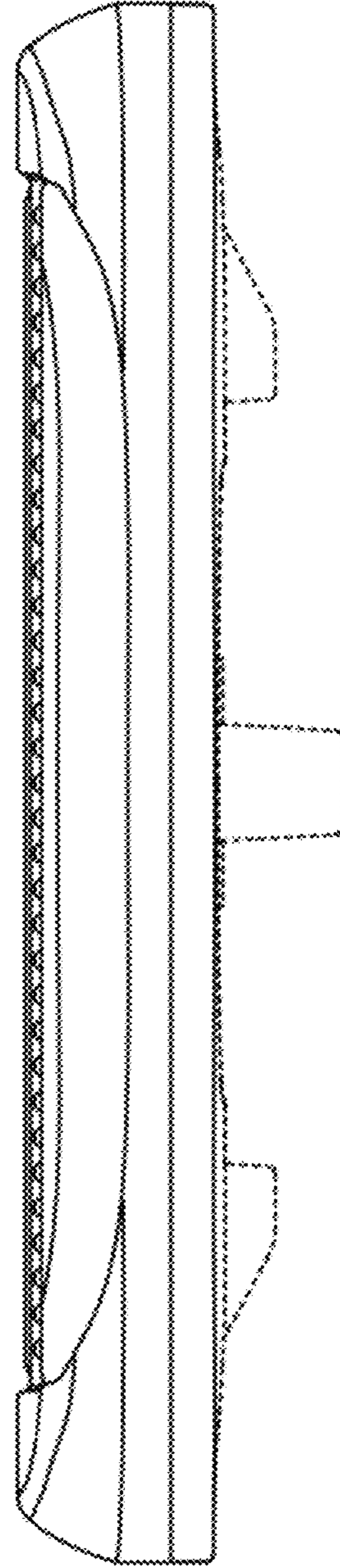


FIG. 5

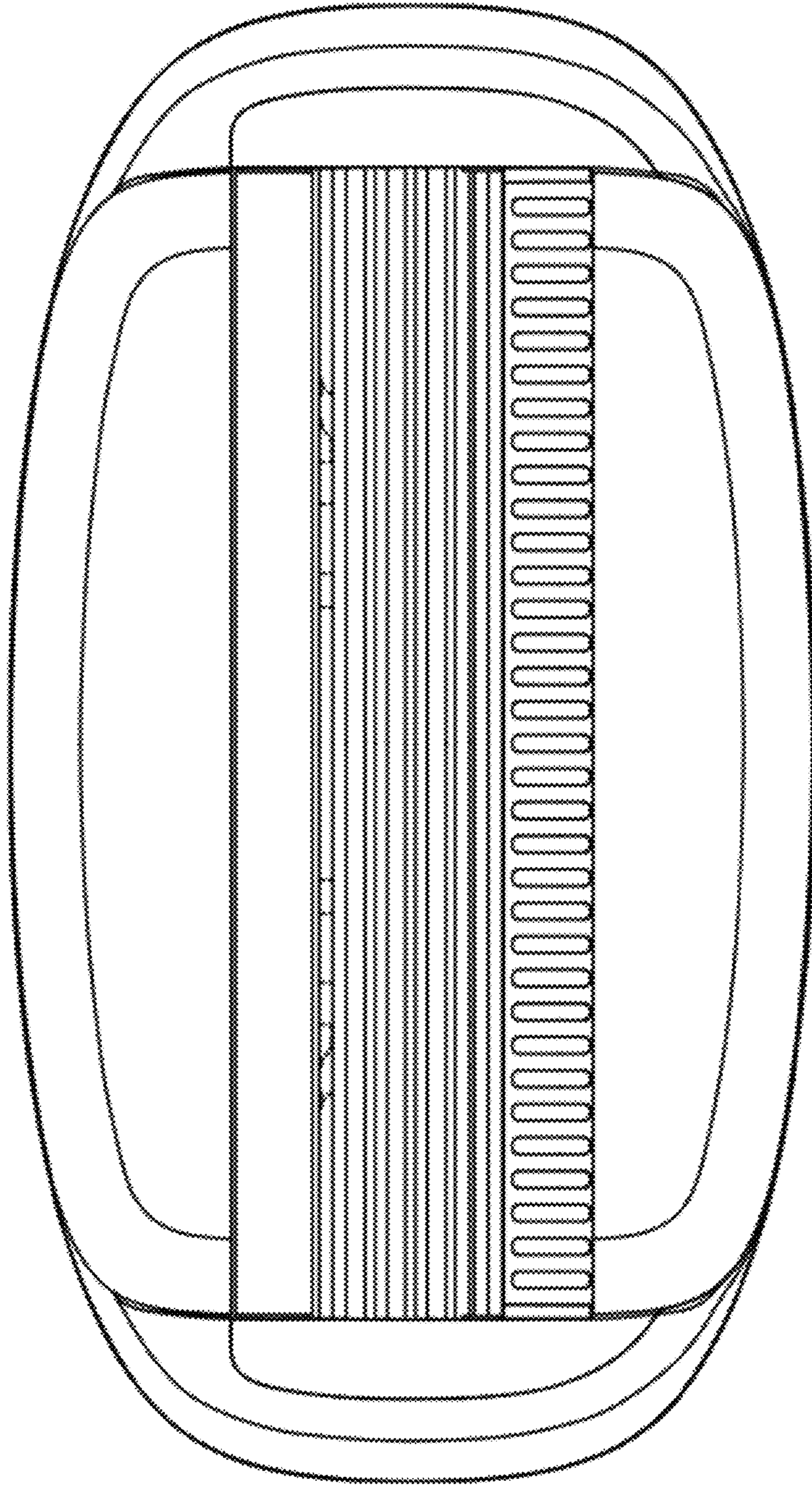


FIG. 6

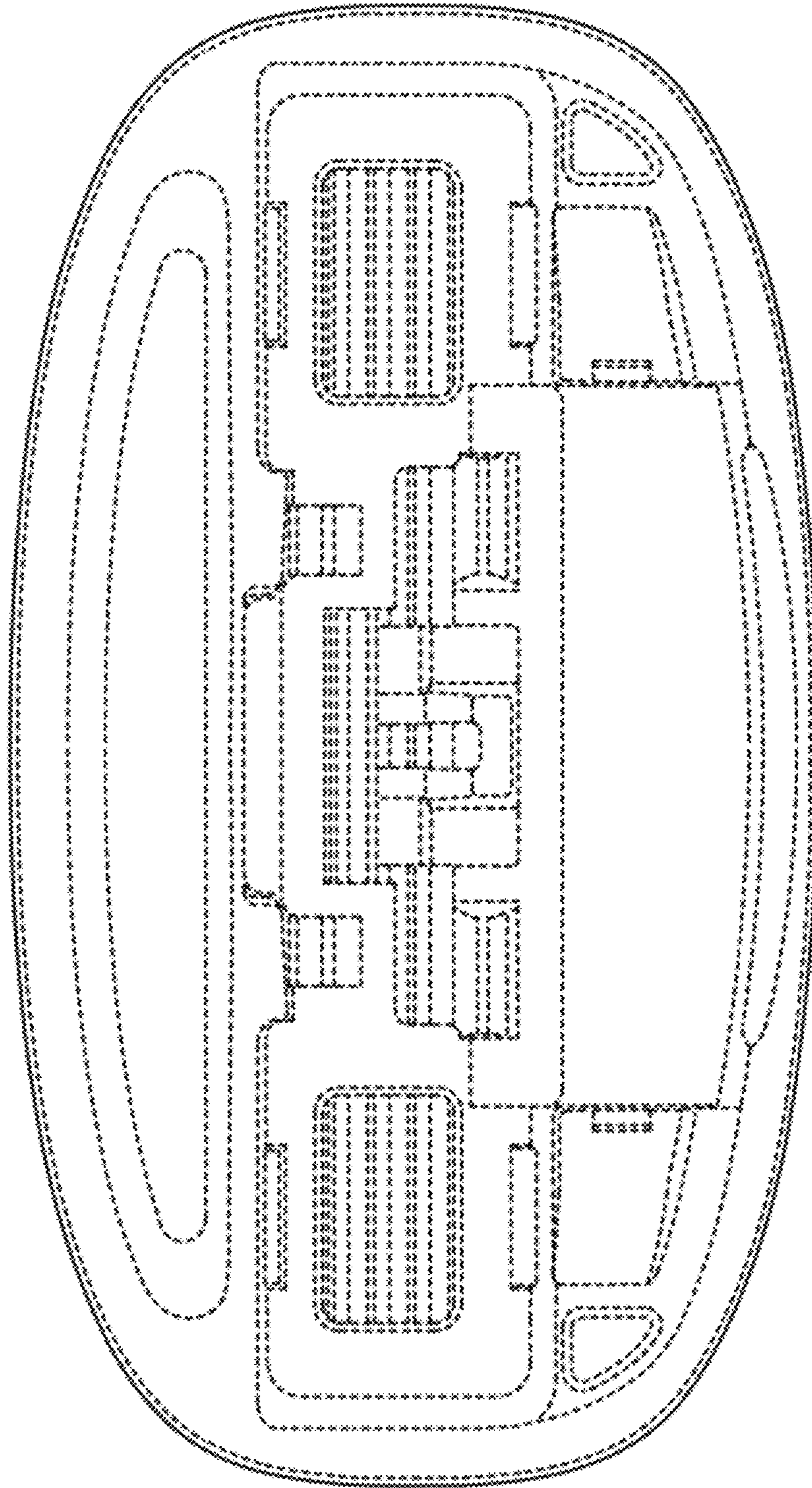


FIG. 7