



US00D829378S

(12) **United States Design Patent** (10) **Patent No.:** **US D829,378 S**
Parker et al. (45) **Date of Patent:** **** Sep. 25, 2018**

(54) **HAIR DRYER**

(71) Applicants: **Joann Parker**, El Paso, TX (US); **Gary Koenemann**, El Paso, TX (US); **Luke Hillebrecht**, Kent, OH (US); **Steve Paliobeis**, El Paso, TX (US); **Adrian Gonzalez**, El Paso, TX (US); **Mathieu Zastawny**, Jersey City, NJ (US); **Yoon Jung Heo**, Edgewater, NJ (US)

(72) Inventors: **Joann Parker**, El Paso, TX (US); **Gary Koenemann**, El Paso, TX (US); **Luke Hillebrecht**, Kent, OH (US); **Steve Paliobeis**, El Paso, TX (US); **Adrian Gonzalez**, El Paso, TX (US); **Mathieu Zastawny**, Jersey City, NJ (US); **Yoon Jung Heo**, Edgewater, NJ (US)

(73) Assignee: **HELEN OF TROY LIMITED**, St. Michael (BB)

(**) Term: **15 Years**

(21) Appl. No.: **29/599,823**

(22) Filed: **Apr. 6, 2017**

(51) **LOC (11) Cl.** **28-03**

(52) **U.S. Cl.**
USPC **D28/13**

(58) **Field of Classification Search**
 USPC D24/13, 12, 10, 19, 24; 34/96, 97, 98;
 392/380, 379, 383-385
 See application file for complete search history.

(56) **References Cited**

U.S. PATENT DOCUMENTS

D456,943 S *	5/2002	Micinilio	D28/13
D470,975 S *	2/2003	Rizzuto, Jr.	D28/13
D502,783 S *	3/2005	Yeung	D28/13
D518,919 S *	4/2006	Parodi	D28/13

D528,698 S *	9/2006	Rizzuto, Jr.	D28/13
D617,047 S *	6/2010	Kim	D28/13
D637,347 S *	5/2011	Schmitz	D28/13
D678,607 S *	3/2013	Parodi	D28/13
D681,274 S *	4/2013	Huang	D28/13
D681,275 S *	4/2013	Huang	D28/13
D710,541 S *	8/2014	Miyaji	A45D 20/12
			D28/13
D715,485 S *	10/2014	Parodi	A45D 20/12
			D28/13
D726,958 S *	4/2015	Spagnolo	D28/13
D758,657 S *	6/2016	Hary	D28/13

(Continued)

Primary Examiner — Susan Bennett Hattan
Assistant Examiner — Rebecca Tsehaye

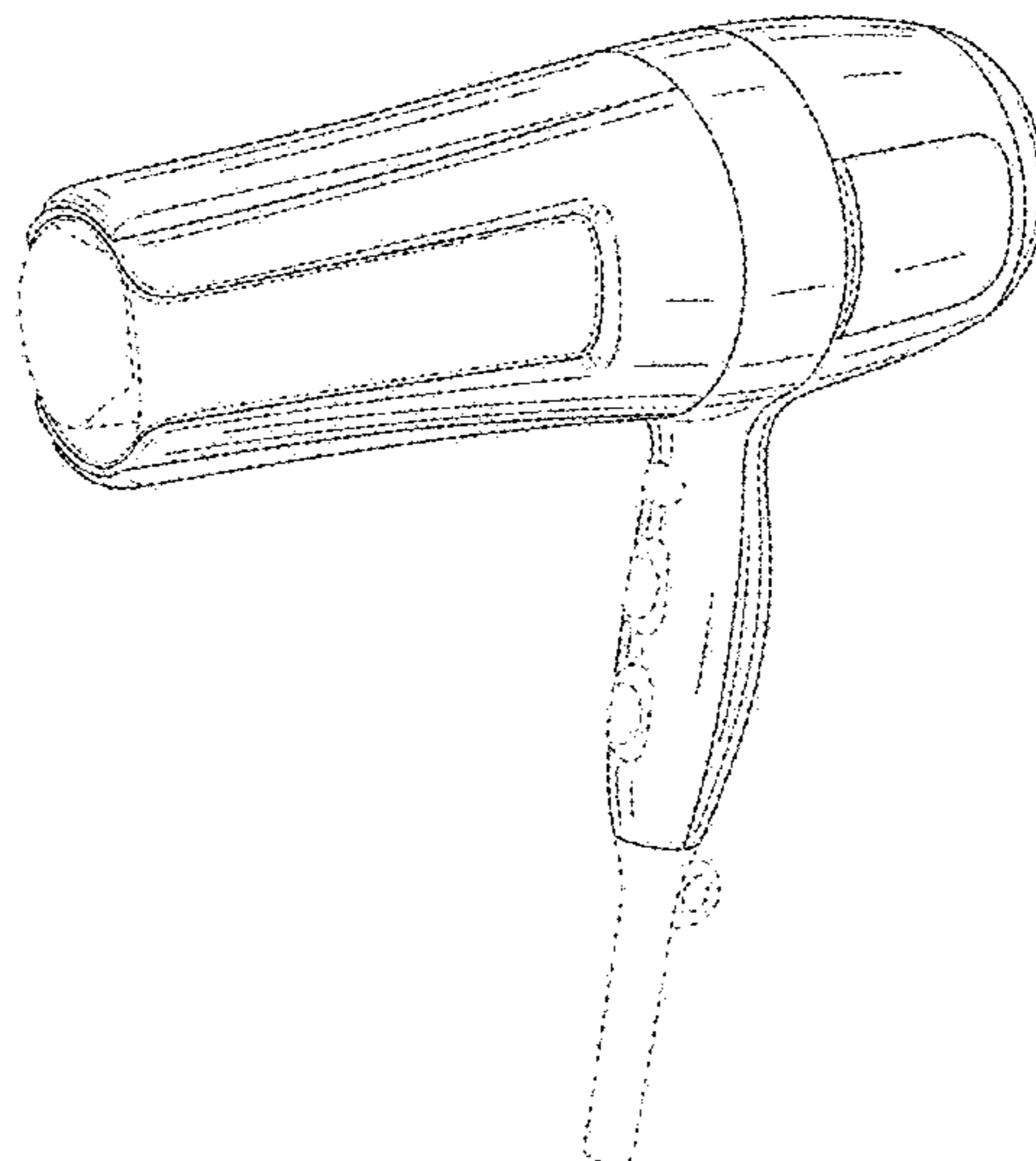
(57) **CLAIM**

The ornamental design for a hair dryer, as shown, and described.

DESCRIPTION

FIG. 1 is a perspective view of the hair dryer;
 FIG. 2 is a side view of the hair dryer;
 FIG. 3 is a front view of the hair dryer;
 FIG. 4 is a rear view of the hair dryer;
 FIG. 5 is a top view of the hair dryer;
 FIG. 6 is a bottom view of the hair dryer;
 FIG. 7 is a perspective view of the hair dryer with the exterior housing of the barrel portion in a ninety-degree rotated position;
 FIG. 8 is a side view of the hair dryer;
 FIG. 9 is a front view of the hair dryer;
 FIG. 10 is a rear view of the hair dryer;
 FIG. 11 is a top view of the hair dryer; and,
 FIG. 12 is a bottom view of the hair dryer.
 The dashed broken lines depict environment and form no part of the claimed design. The use of dot-dot-dash broken lines defines the bounds of the claimed design and form no part thereof.

1 Claim, 12 Drawing Sheets



(56)

References Cited

U.S. PATENT DOCUMENTS

9,498,039 B2 * 11/2016 Matsui H01T 23/00
D788,365 S * 5/2017 Lamballais D28/13
2007/0047930 A1 * 3/2007 Cafaro A45D 20/12
392/385
2015/0289623 A1 * 10/2015 Matsui H01T 23/00
34/97
2015/0366316 A1 * 12/2015 Soresina A45D 20/12
34/97

* cited by examiner

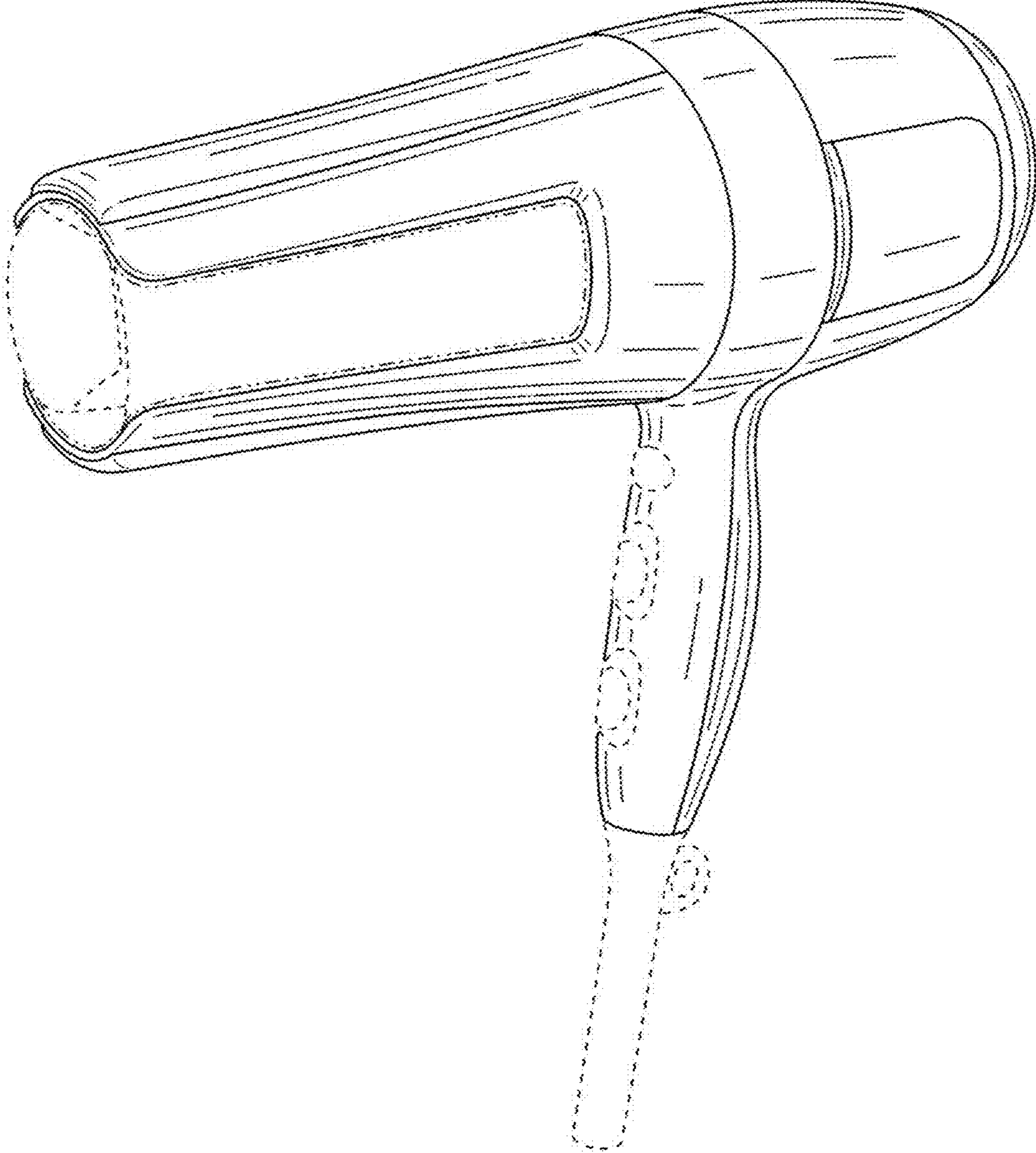


FIG. 1

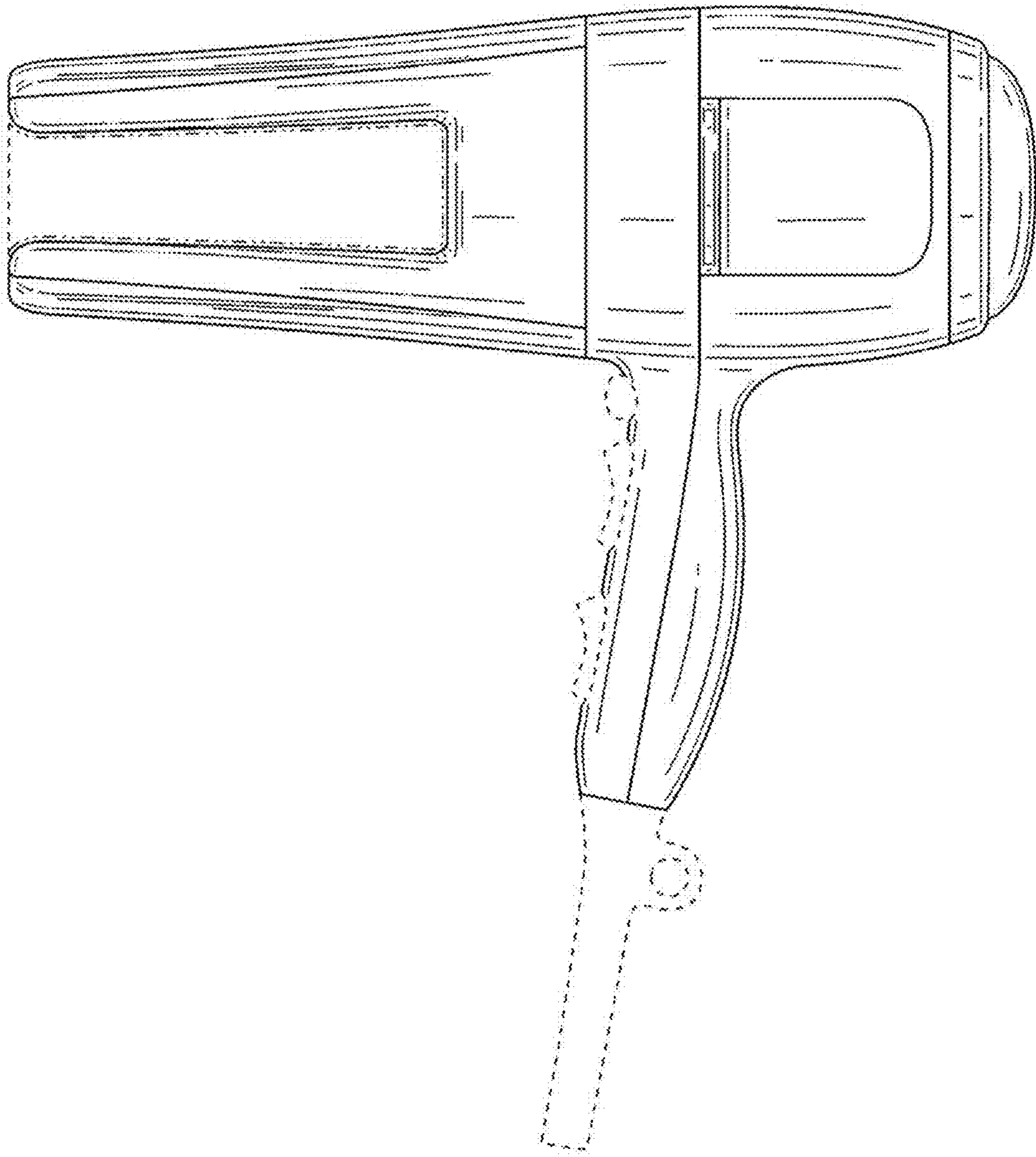


FIG. 2

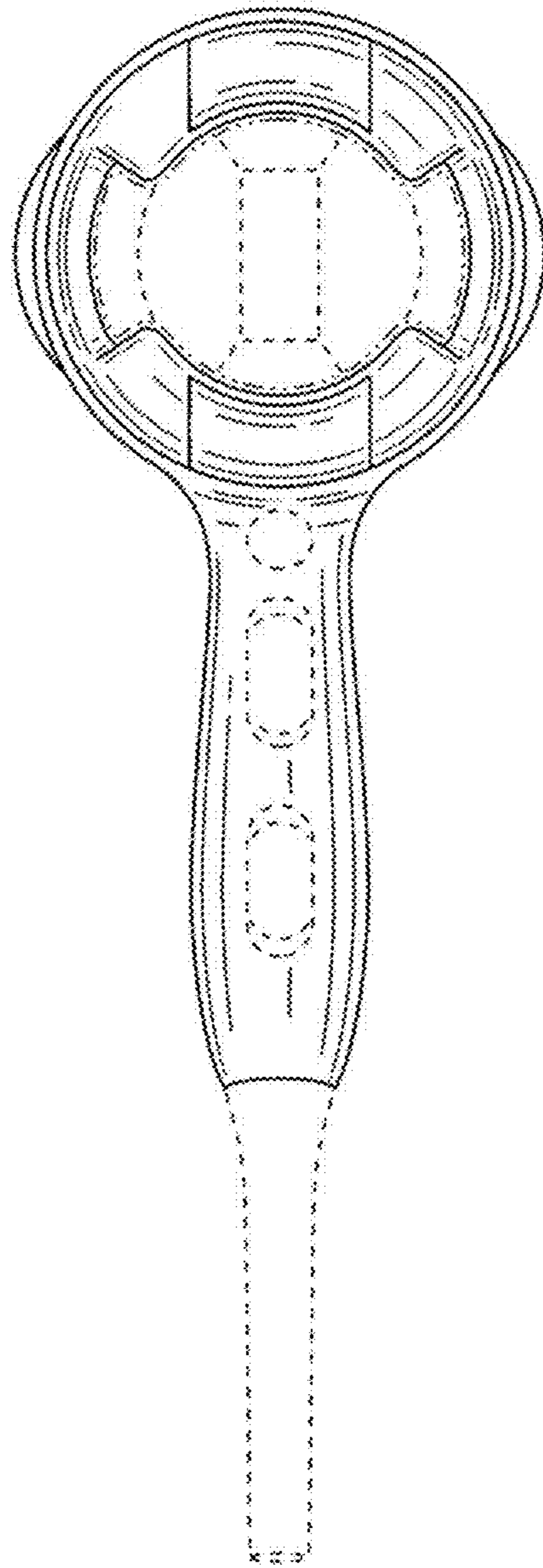


FIG. 3

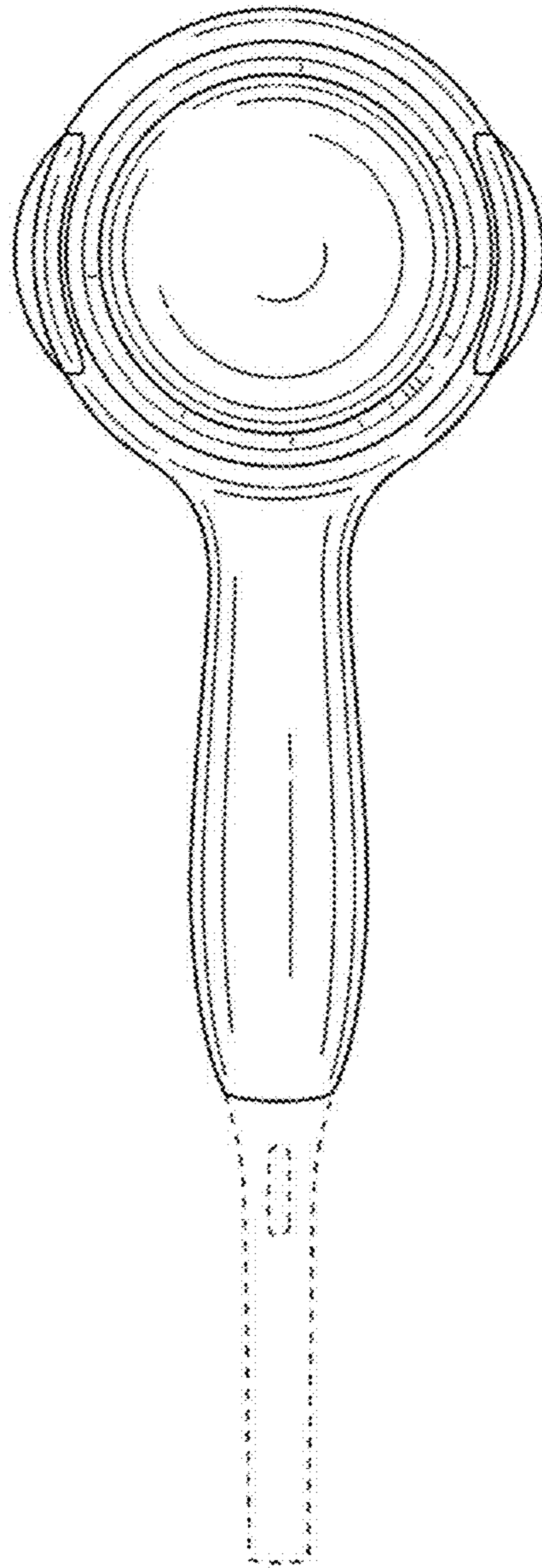


FIG. 4

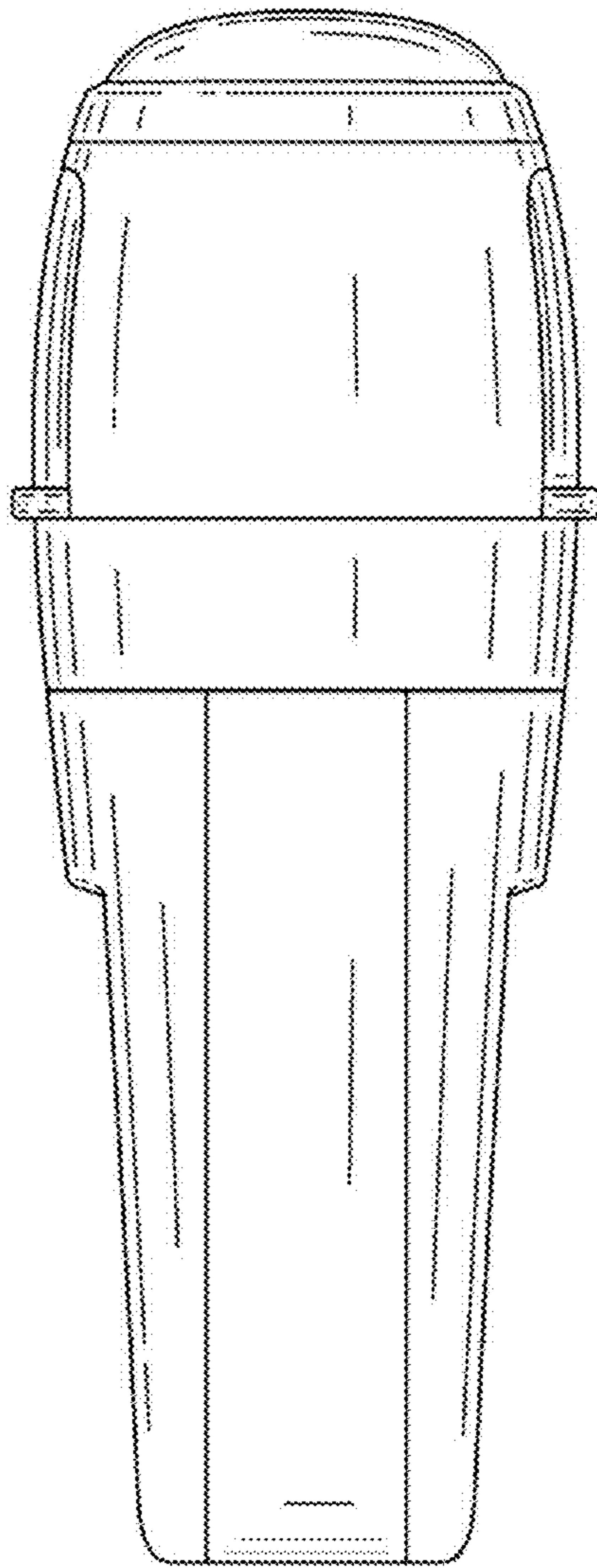


FIG. 5

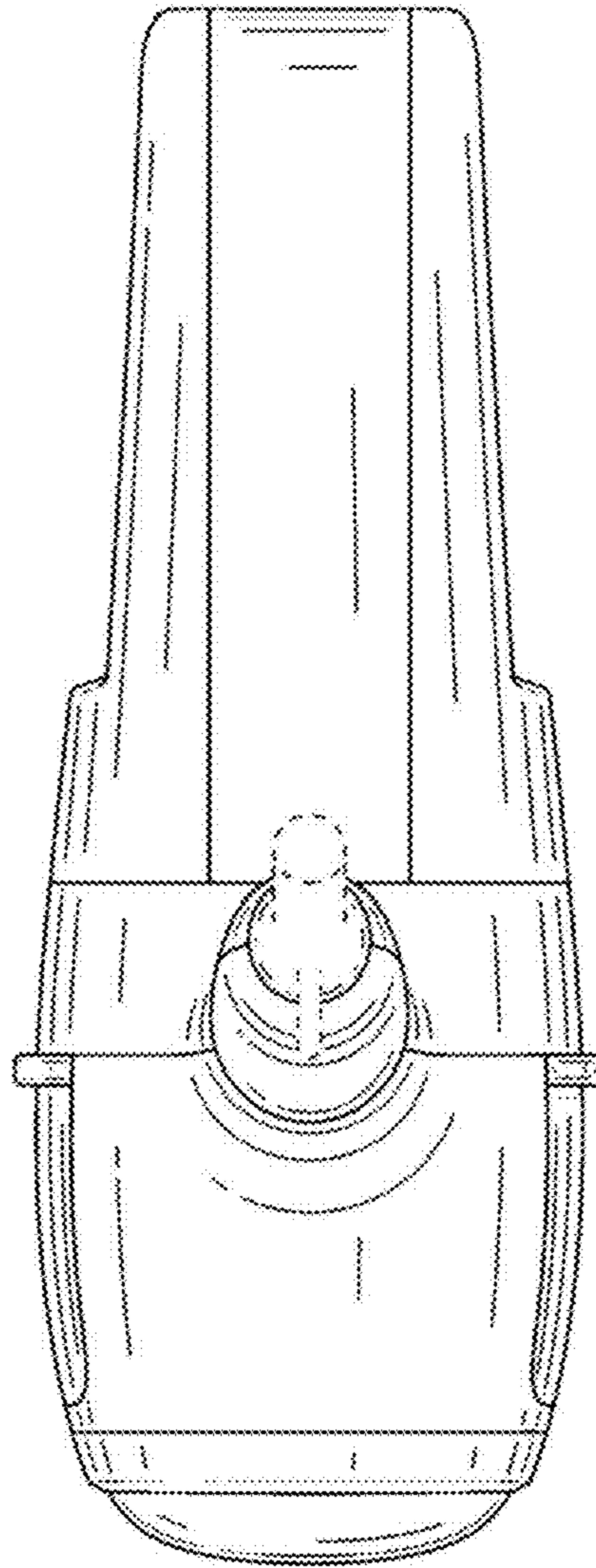


FIG. 6

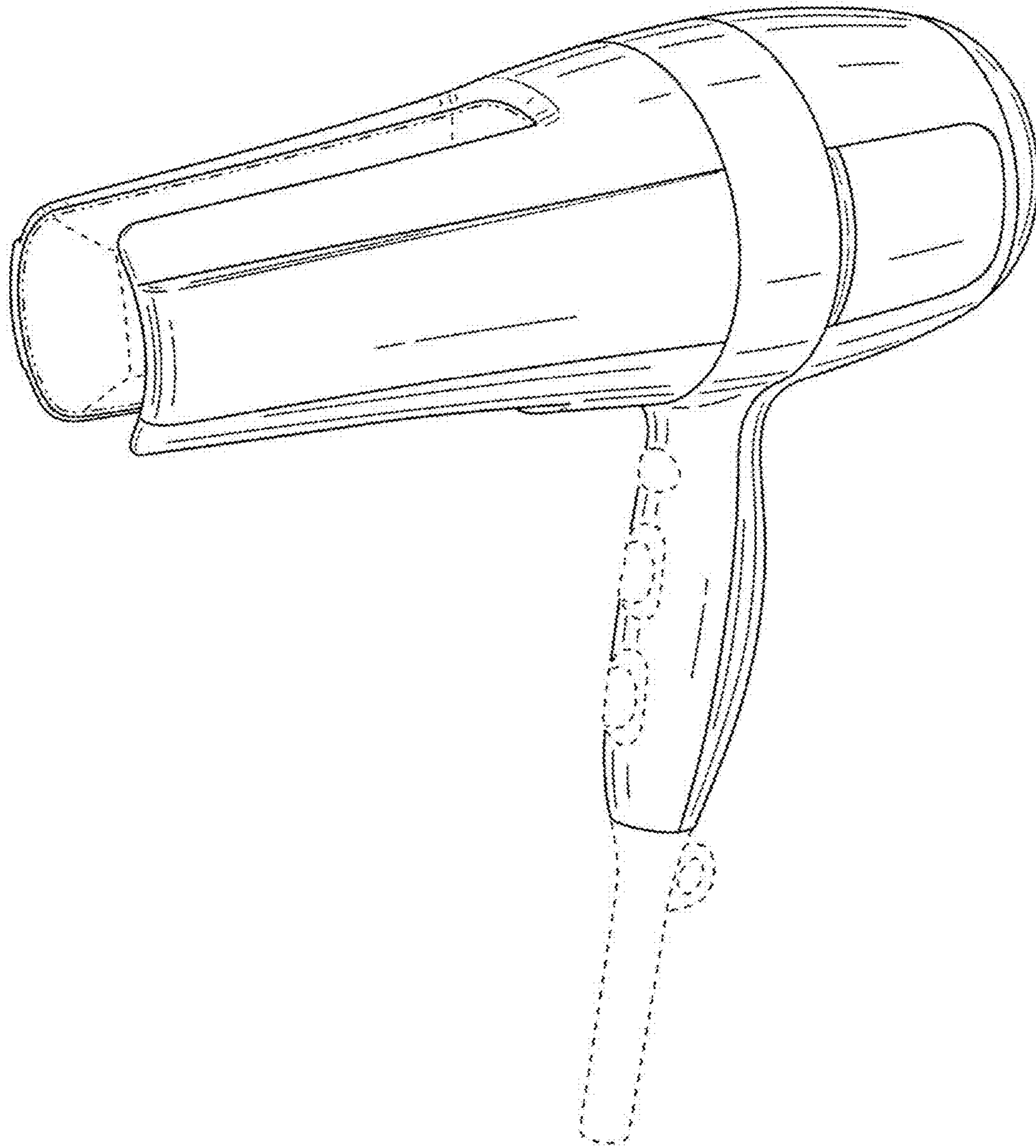


FIG. 7

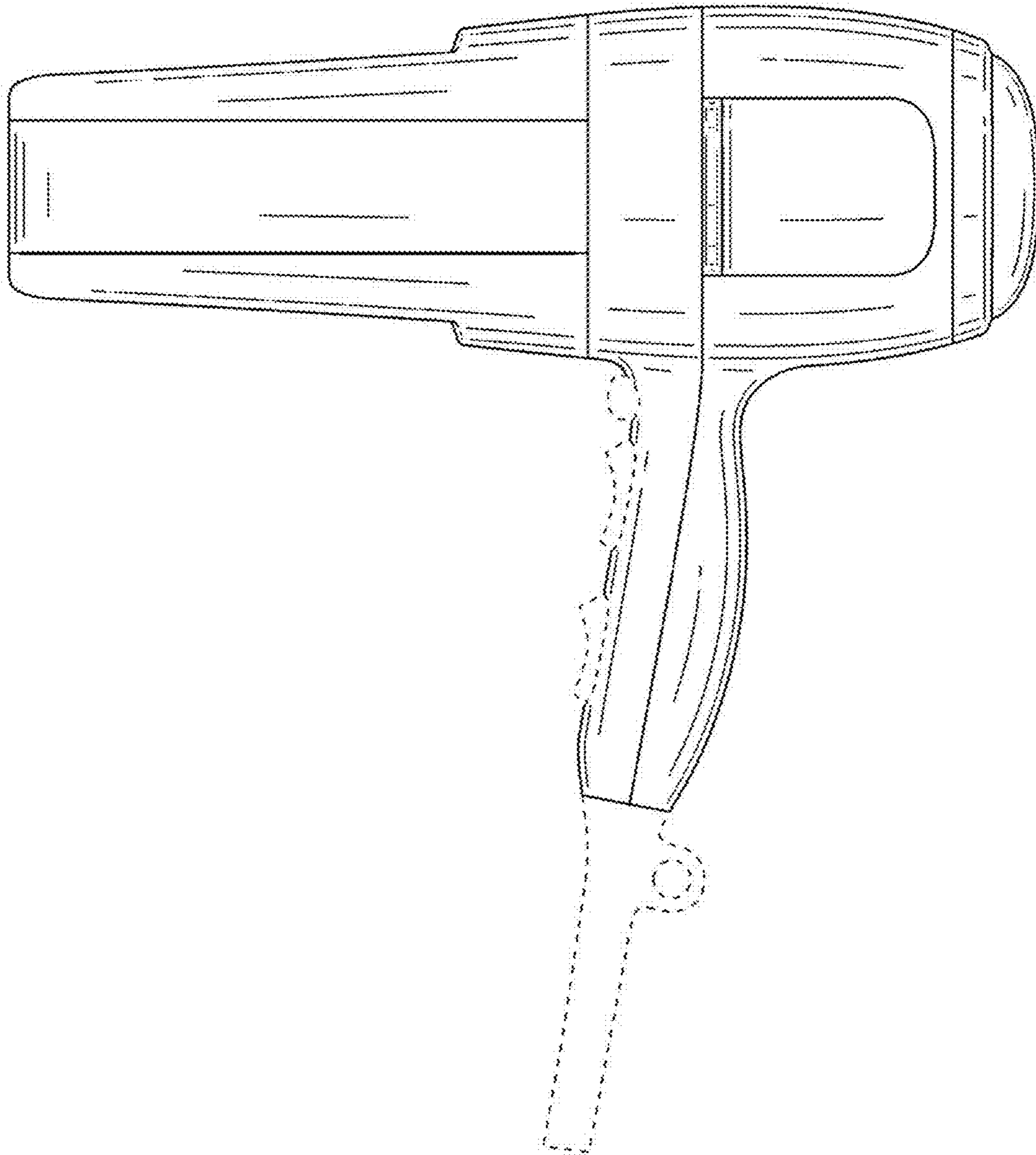


FIG. 8

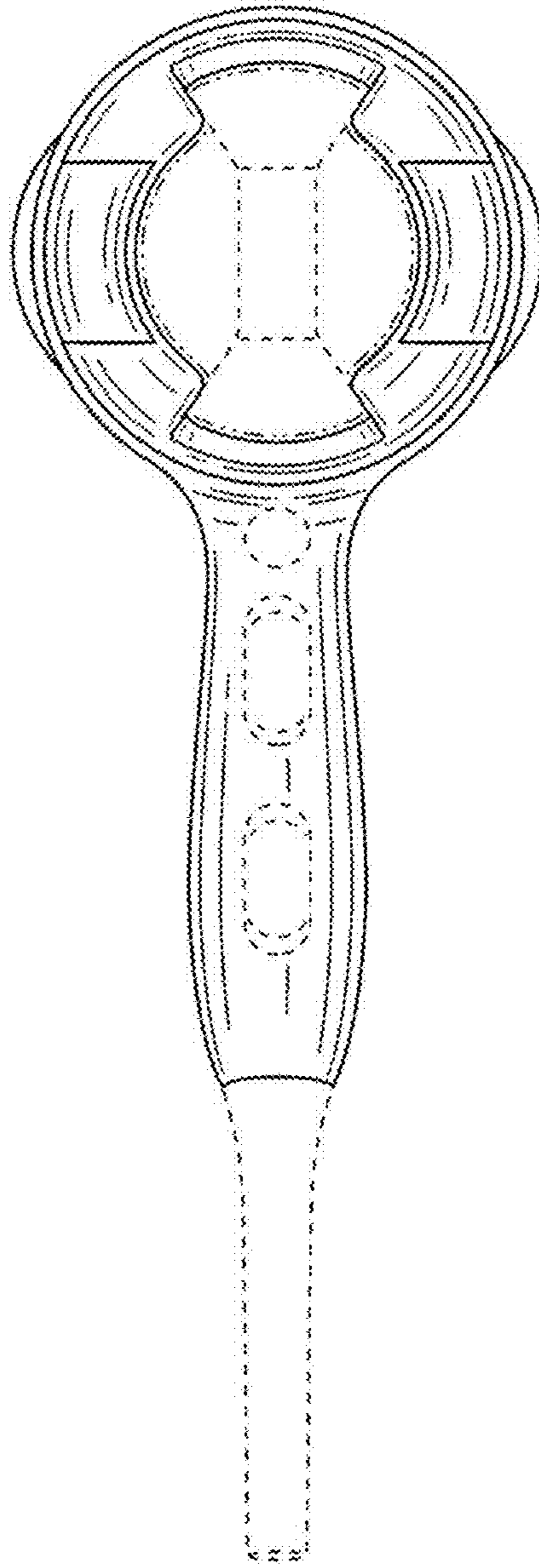


FIG. 9

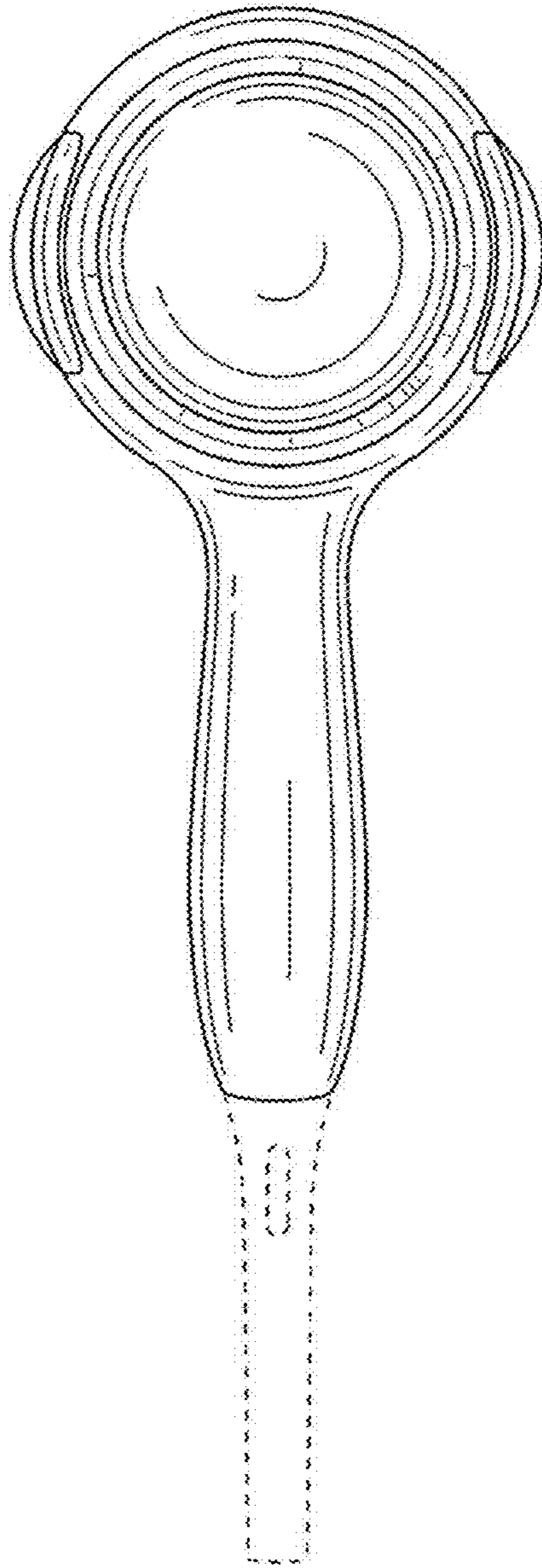


FIG. 10

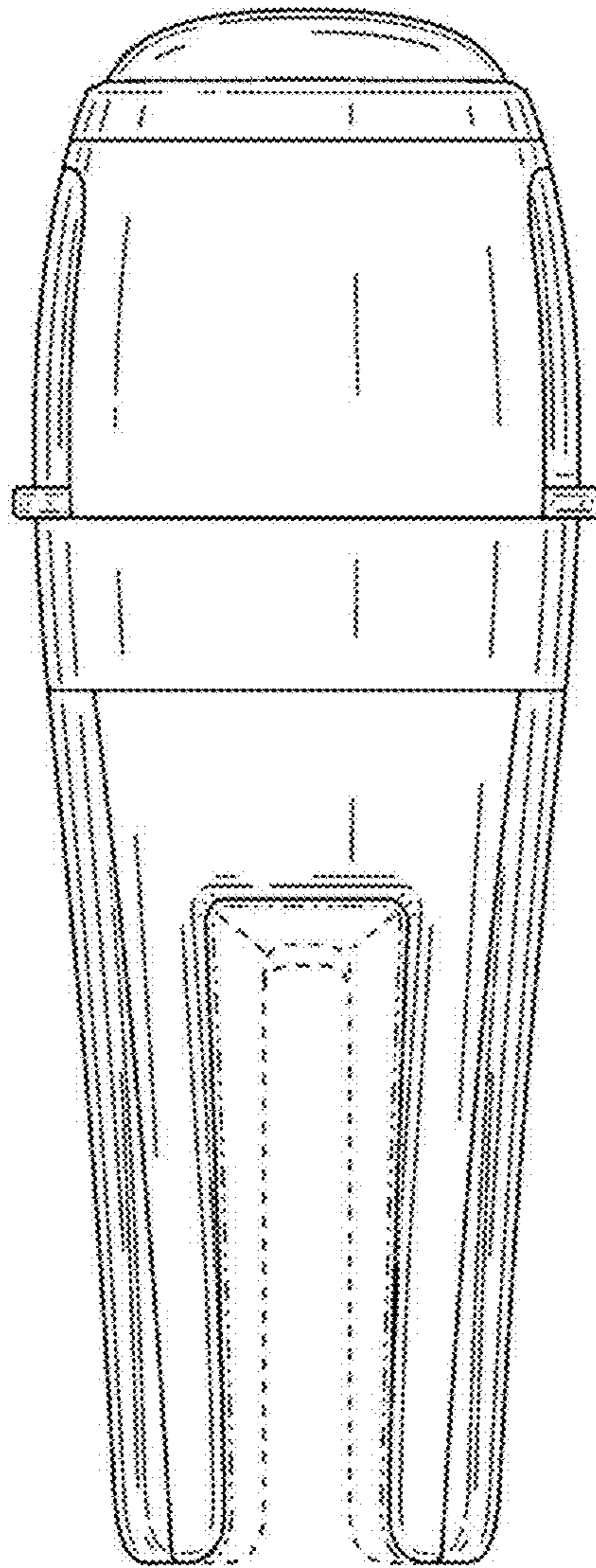


FIG. 11

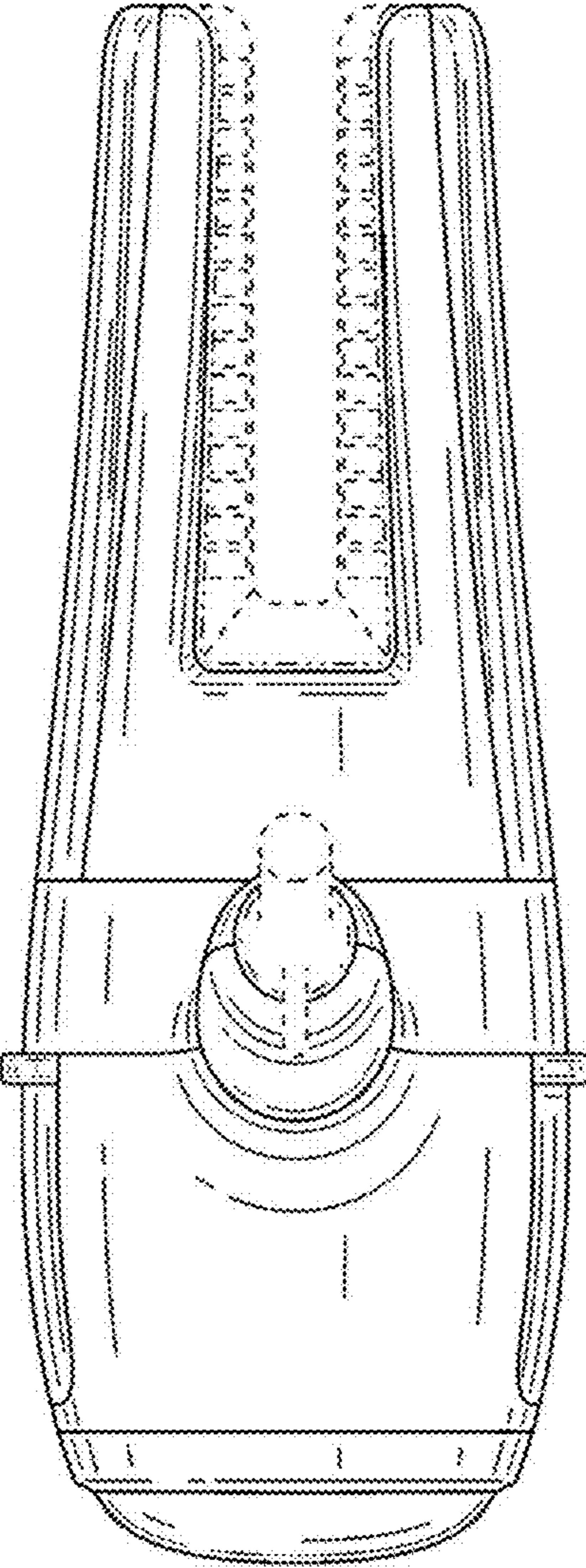


FIG. 12