



US00D829375S

(12) **United States Design Patent**
Huang et al.

(10) **Patent No.:** **US D829,375 S**
(45) **Date of Patent:** **** Sep. 25, 2018**

- (54) **ELECTRONIC CIGARETTE**
- (71) Applicant: **Shenzhen Goldreams Technology Co., Ltd.**, Shenzhen, Guangdong (CN)
- (72) Inventors: **Liangzhi Huang**, Guangdong (CN);
Furong Huang, Guangdong (CN)
- (73) Assignee: **Shenzhen Goldreams Technology Co., Ltd.**, Shenzhen (CN)
- (**) Term: **15 Years**
- (21) Appl. No.: **29/630,012**
- (22) Filed: **Dec. 18, 2017**
- (51) **LOC (11) Cl.** **27-02**
- (52) **U.S. Cl.**
USPC **D27/162**
- (58) **Field of Classification Search**
USPC D27/100, 101, 162, 163–194;
D19/115–123, 161–169; D24/110;
D23/366
CPC A24F 47/008; A24F 47/002; A24F 7/02;
A61M 15/06
See application file for complete search history.

(56) **References Cited**

U.S. PATENT DOCUMENTS

D368,552 S *	4/1996	Adams	D27/194
D422,113 S *	3/2000	Higgins	D27/186
D424,236 S *	5/2000	Reed	D27/163
D433,532 S *	11/2000	Higgins	D27/186
D577,150 S *	9/2008	Bryman	D27/163
D629,154 S *	12/2010	Sung	D27/154
D649,708 S *	11/2011	Oneil	D27/163
D700,397 S *	2/2014	Manca	D27/189
D700,738 S *	3/2014	Rennick	D27/189
D728,855 S *	5/2015	Liu	D27/163
D729,444 S *	5/2015	Leidel	D27/163
D729,445 S *	5/2015	Leidel	D27/163

D730,572 S *	5/2015	Leidel	D27/163
D731,114 S *	6/2015	Leidel	D27/163
D743,099 S *	11/2015	Oglesby	D27/101
D748,325 S *	1/2016	Leidel	D27/163
D753,336 S *	4/2016	Chen	D27/101
D758,004 S *	5/2016	Freshwater	D27/163
D758,655 S *	6/2016	Freshwater	D27/163
D758,656 S *	6/2016	Freshwater	D27/163
D761,999 S *	7/2016	Liu	D27/101
D769,520 S *	10/2016	Hua	D27/167
D770,678 S *	11/2016	Shin	D27/163
D770,680 S *	11/2016	Bennett	D27/189
D771,867 S *	11/2016	Leidel	D27/163
D772,477 S *	11/2016	Shin	D27/163
D773,114 S *	11/2016	Leidel	D27/163
D773,116 S *	11/2016	Liu	D27/167
D775,414 S *	12/2016	Ampolini	D13/108
D775,762 S *	1/2017	Chen	D27/101
D779,726 S *	2/2017	Bennett	D27/189

(Continued)

Primary Examiner — Brandon M Rosati
Assistant Examiner — Marissa J Cash

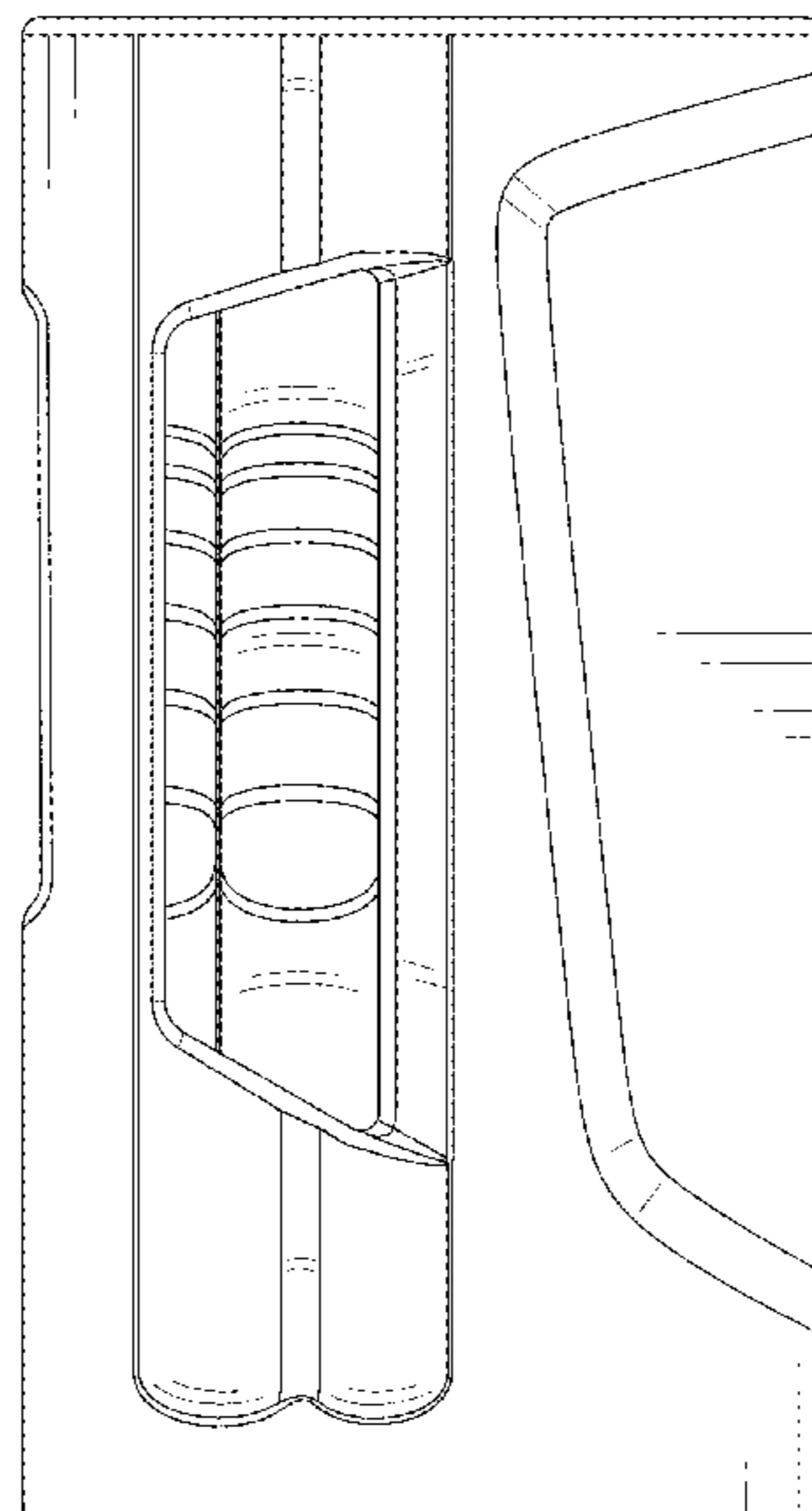
(57) **CLAIM**

The ornamental design for an electronic cigarette, as shown and described.

DESCRIPTION

FIG. 1 is a front elevational view of an electronic cigarette showing our new design;
 FIG. 2 is a rear elevational view thereof;
 FIG. 3 is a left side view thereof;
 FIG. 4 is a right side view thereof;
 FIG. 5 is a top plan view thereof;
 FIG. 6 is a bottom plan view thereof;
 FIG. 7 is a first perspective view thereof; and,
 FIG. 8 is a second perspective view thereof.
 The broken lines in the drawings illustrate portions of the electronic cigarette which form no part of the claimed design.

1 Claim, 8 Drawing Sheets



(56)

References Cited

U.S. PATENT DOCUMENTS

D780,373 S * 2/2017 Bennett D27/186
 D788,364 S * 5/2017 Chen D27/163
 D789,598 S * 6/2017 Chen D27/163
 D790,766 S * 6/2017 Li D27/163
 D792,020 S * 7/2017 Mendoza D27/101
 D792,021 S * 7/2017 Beer D27/101
 D792,642 S * 7/2017 Mendoza D27/101
 D799,111 S * 10/2017 Qiu D27/101
 D799,746 S * 10/2017 Leidel D27/163
 D800,377 S * 10/2017 Liu D27/101
 D801,507 S * 10/2017 Kelnhofer D23/366
 D802,834 S * 11/2017 Mathias D27/163
 D806,311 S * 12/2017 Smith D27/162
 D807,286 S * 1/2018 Qiu D13/103
 D807,576 S * 1/2018 Liu D27/163
 D807,577 S * 1/2018 Ward D27/167
 D808,073 S * 1/2018 Leidel D27/162
 D809,191 S * 1/2018 Li D27/101
 D809,192 S * 1/2018 Liu D27/163
 9,888,715 B2 * 2/2018 Li A24F 15/20
 D812,289 S * 3/2018 Ward D27/172
 D812,290 S * 3/2018 Ward D27/172
 D814,693 S * 4/2018 Qiu D27/101

D815,347 S * 4/2018 Jones D27/194
 9,968,136 B1 * 5/2018 Bell A24F 47/008
 D819,880 S * 6/2018 Qiu D27/101
 D819,882 S * 6/2018 Qiu D27/101
 D821,639 S * 6/2018 Dai D27/162
 D821,640 S * 6/2018 Qiu D27/162
 2016/0096658 A1 * 4/2016 Fath B65B 5/024
 206/273
 2017/0101256 A1 * 4/2017 Zeitlin B65D 85/20
 2017/0208862 A1 * 7/2017 Li A24F 15/20
 2017/0208863 A1 * 7/2017 Davis A24F 47/008
 2017/0208864 A1 * 7/2017 Anderson, Jr. A24F 47/008
 2017/0290371 A1 * 10/2017 Davis A24F 47/008
 2017/0367406 A1 * 12/2017 Schuler A24F 47/008
 2018/0007967 A1 * 1/2018 Davis A24F 47/008
 2018/0013175 A1 * 1/2018 Liu H01M 10/425
 2018/0035715 A1 * 2/2018 Wu A24F 47/008
 2018/0055091 A1 * 3/2018 Trzeciecki A24F 47/008
 2018/0070638 A1 * 3/2018 Qiu A24F 47/008
 2018/0084828 A1 * 3/2018 Phillips A24F 47/008
 2018/0084836 A1 * 3/2018 Perez B65D 85/54
 2018/0132526 A1 * 5/2018 Davis A24F 47/008
 2018/0153219 A1 * 6/2018 Verleur A24F 47/008
 2018/0160739 A1 * 6/2018 Chen A24F 47/008
 2018/0166238 A1 * 6/2018 Chen H01H 36/02

* cited by examiner

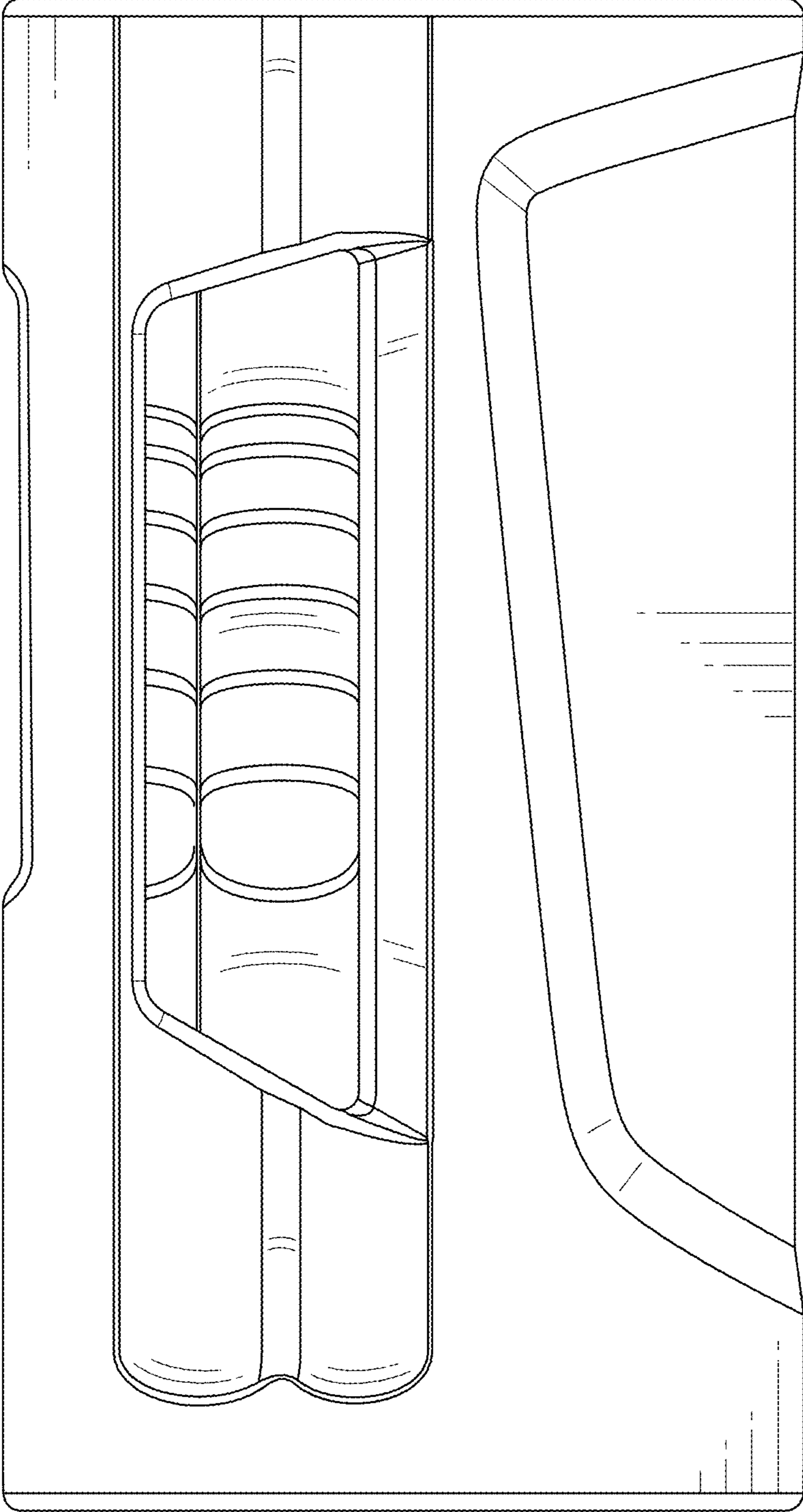


FIG.1

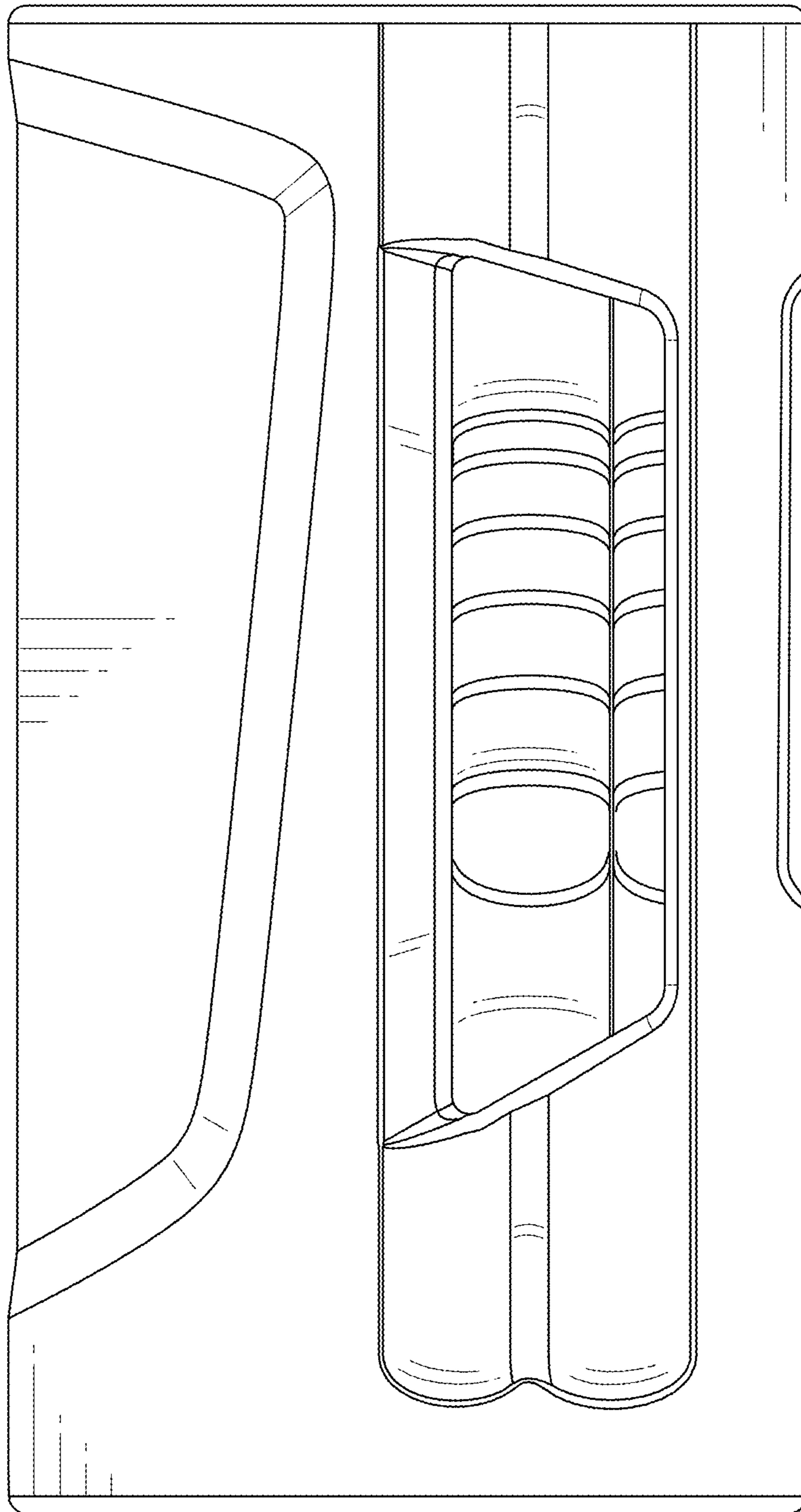


FIG.2

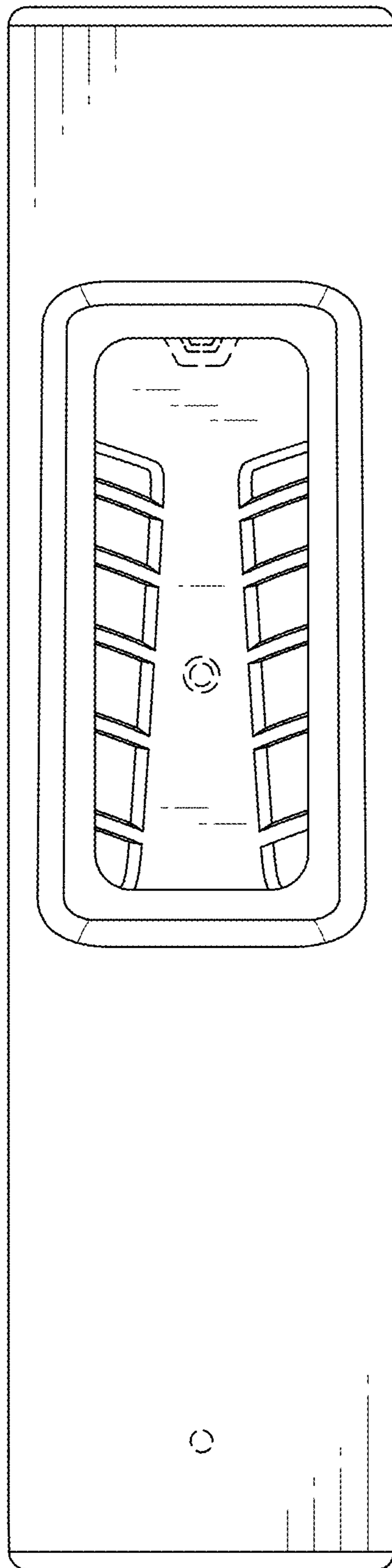


FIG.3

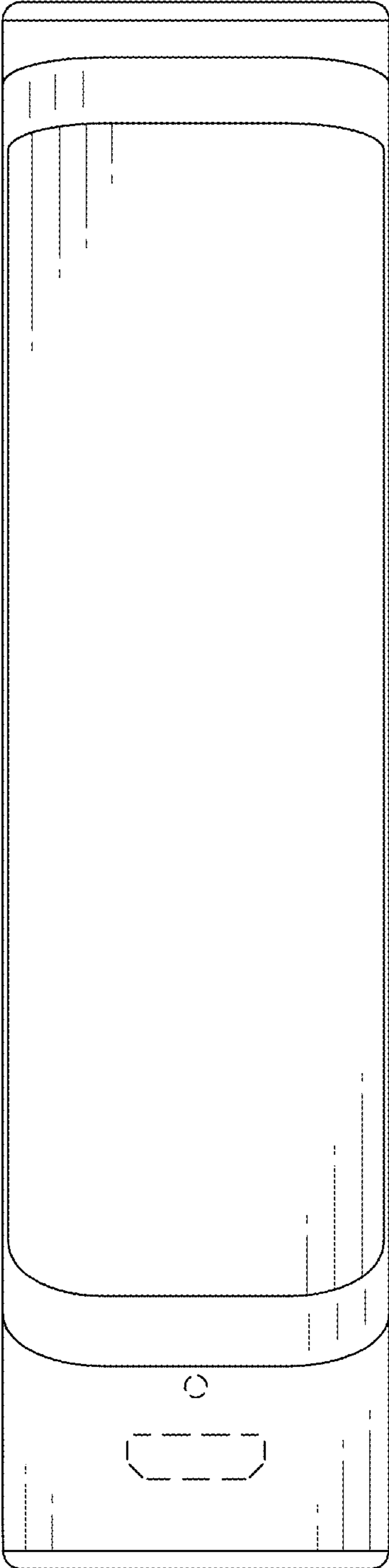


FIG.4

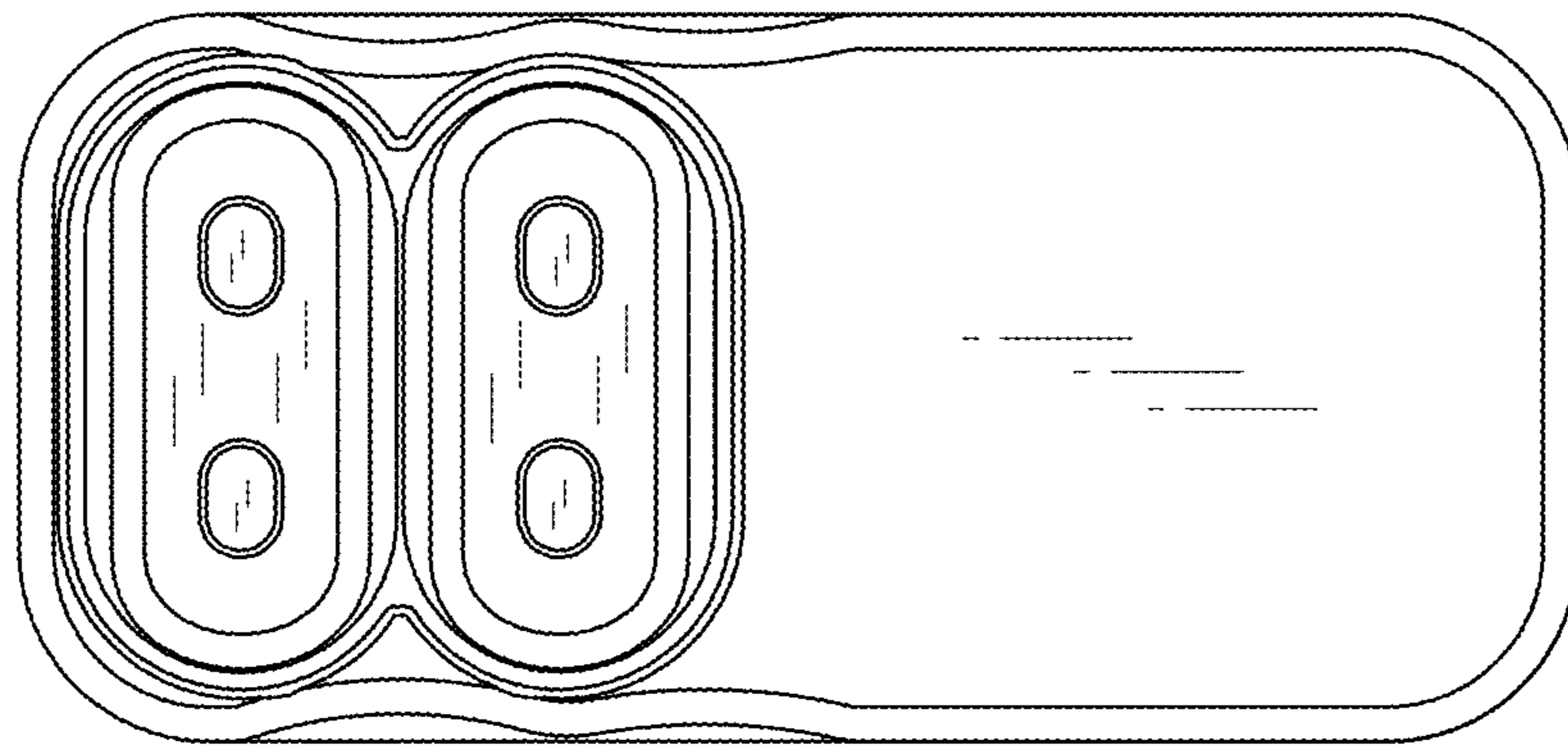


FIG.5

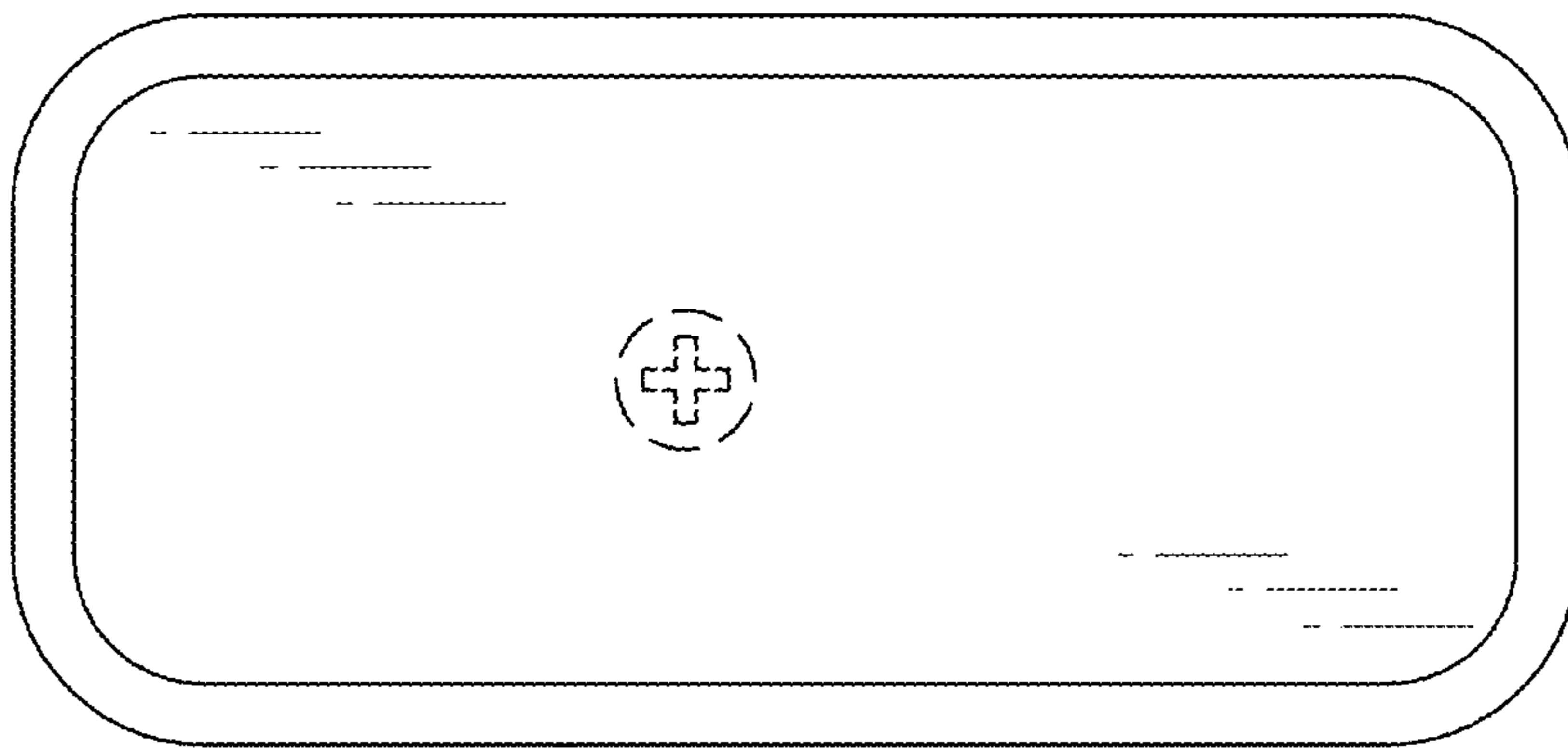


FIG.6

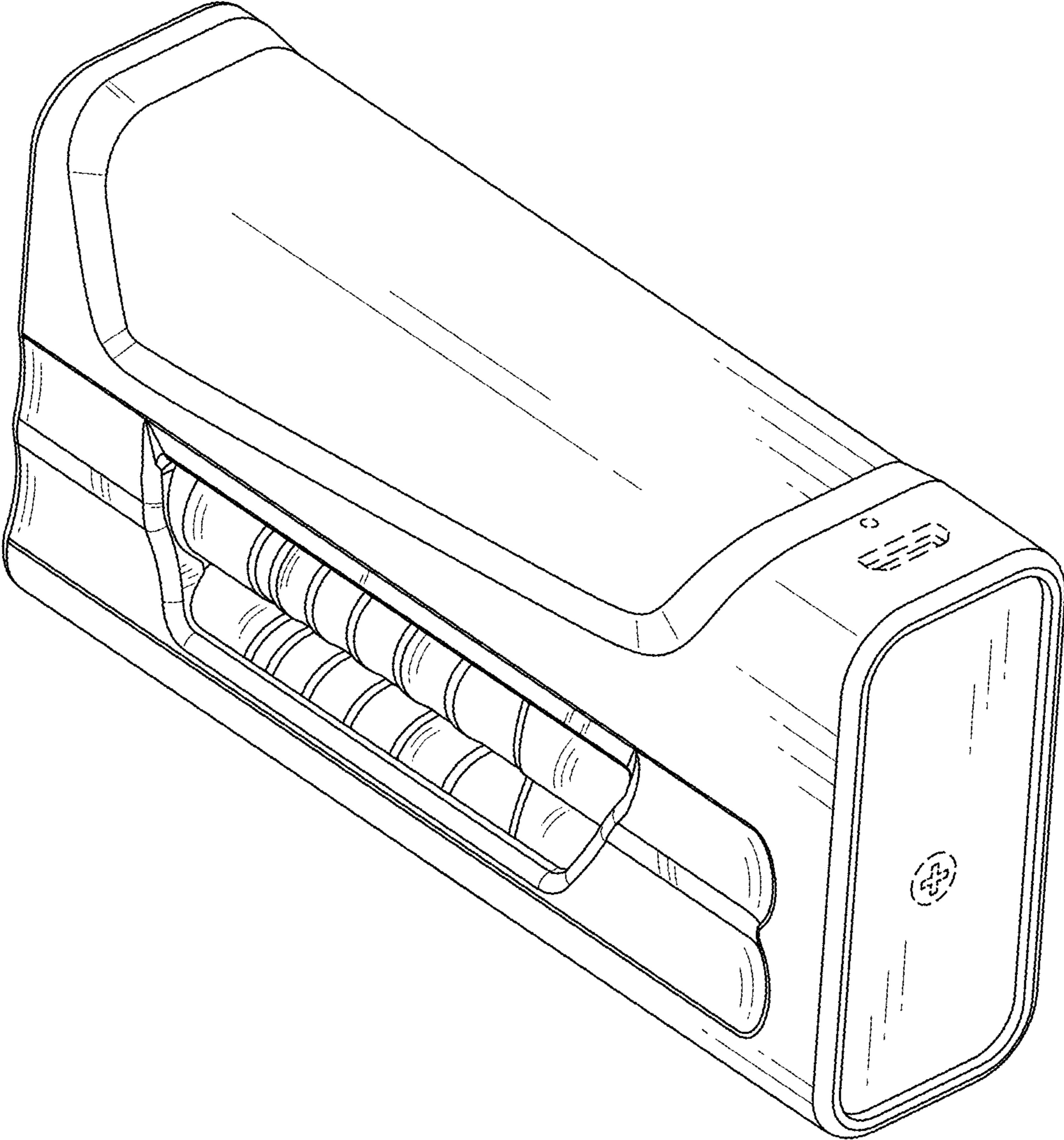


FIG.7

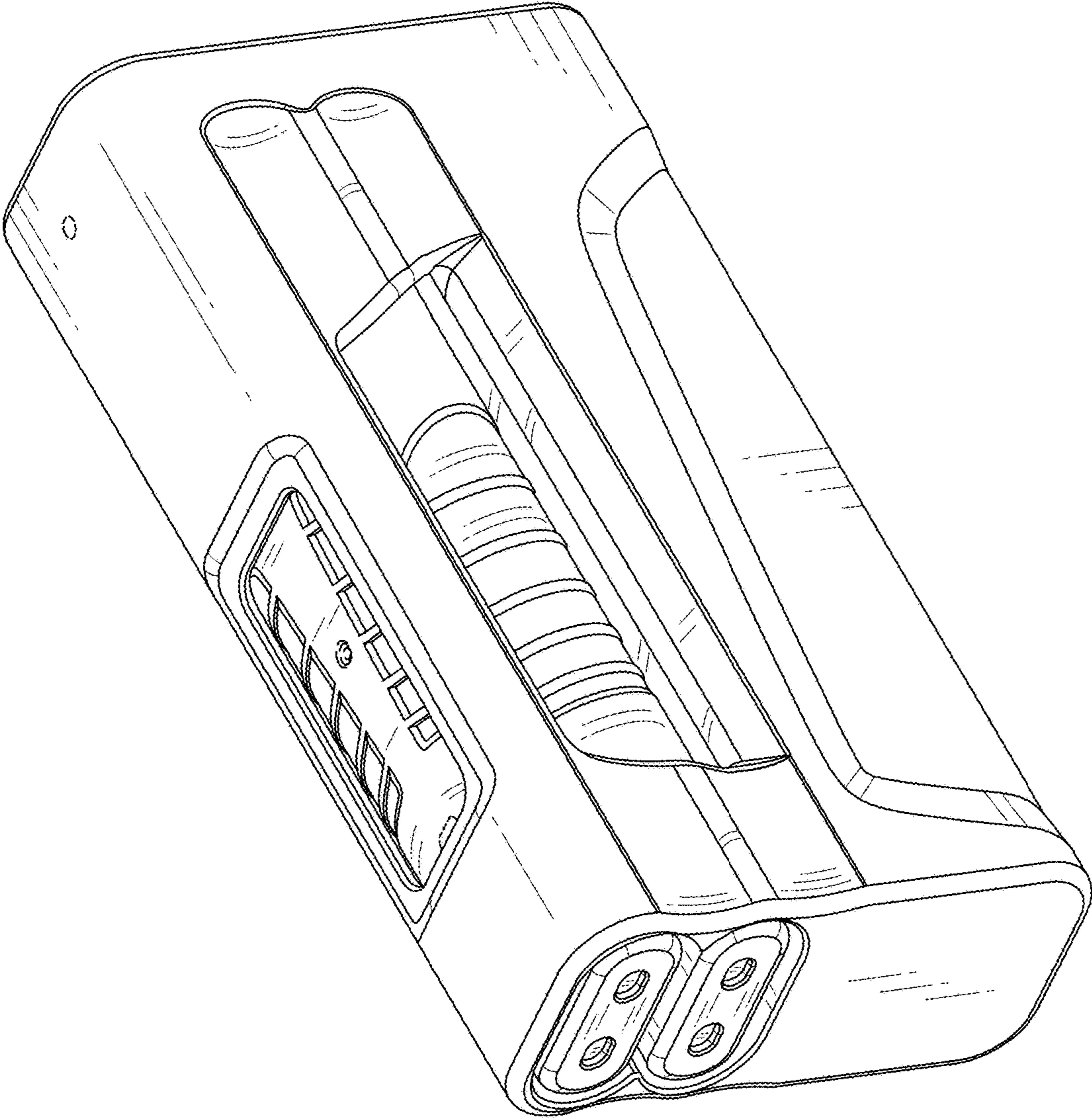


FIG.8