



US00D829374S

(12) **United States Design Patent**
Müller

(10) **Patent No.:** **US D829,374 S**

(45) **Date of Patent:** **** Sep. 25, 2018**

(54) **LIGHTER**

(71) Applicant: **KM Brands, Inc.**, Cambridge City, IN
(US)

(72) Inventor: **Georg F. Müller**, Meckesheim (DE)

(73) Assignee: **KM BRANDS, INC.**, Cambridge City,
IN (US)

(**) Term: **15 Years**

(21) Appl. No.: **29/599,377**

(22) Filed: **Apr. 3, 2017**

(51) **LOC (11) Cl.** **27-05**

(52) **U.S. Cl.**
USPC **D27/154**

(58) **Field of Classification Search**
USPC D27/154, 139, 141, 152, 153, 156, 157,
D27/159, 160; 431/273, 274, 277, 350,
431/353
CPC F23Q 2/00; F23Q 2/02; F23Q 2/16; F23Q
2/161
See application file for complete search history.

(56) **References Cited**

U.S. PATENT DOCUMENTS

D377,235 S	*	1/1997	Inoue	D27/141
D467,683 S	*	12/2002	Lin	D27/154
D518,229 S	*	3/2006	Sher	D27/161
D530,855 S	*	10/2006	Ruan	D27/154
D534,305 S	*	12/2006	Xu	D27/161
D548,395 S	*	8/2007	Luo	D27/154

D570,040 S	*	5/2008	Jiang	D27/154
D581,095 S	*	11/2008	Almendros	D27/161
D581,589 S	*	11/2008	Ochiai	D27/154
D635,713 S	*	4/2011	Lefebvre	D27/154
D759,300 S	*	6/2016	Rahbar	D27/154
D760,428 S	*	6/2016	Rahbar	D27/141
D807,575 S	*	1/2018	Luo	D27/141

* cited by examiner

Primary Examiner — Susan Bennett Hattan

Assistant Examiner — Rebecca Tsehaye

(74) *Attorney, Agent, or Firm* — Moore & Van Allen
PLLC; Henry B. Ward, III

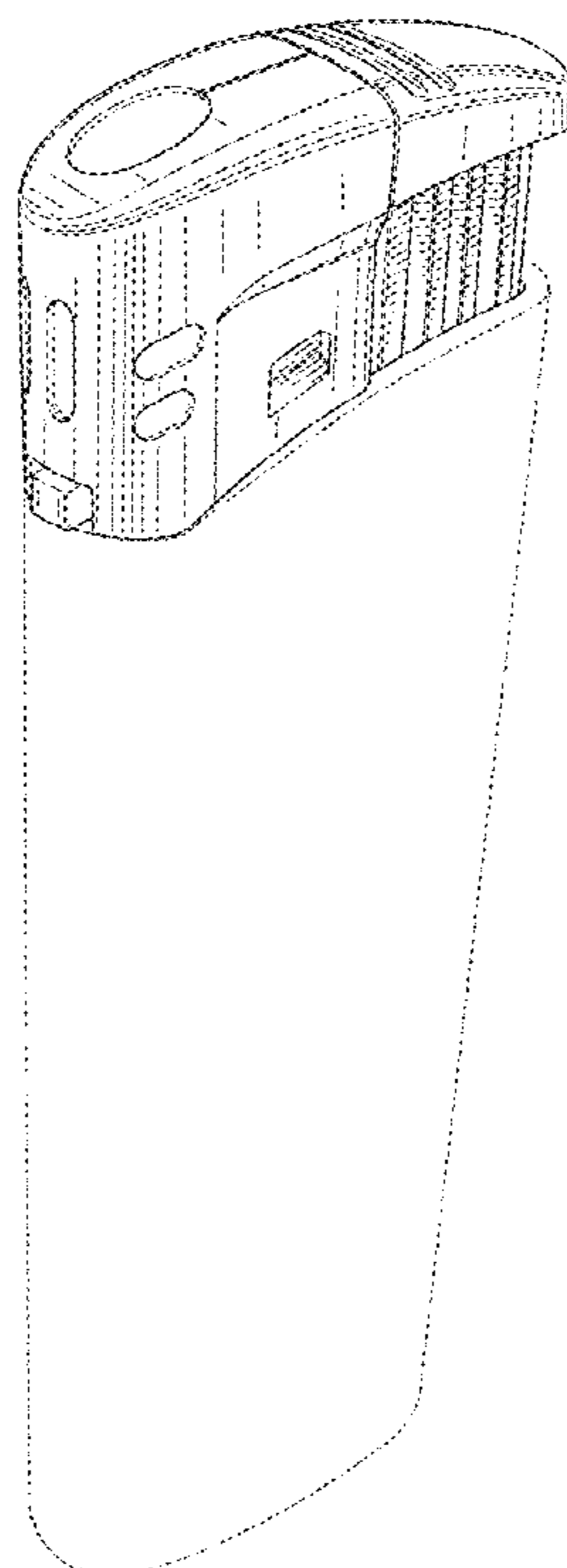
(57) **CLAIM**

The ornamental design for a lighter, as shown and described.

DESCRIPTION

FIG. 1 is a front, right-side perspective view of a lighter, according to the present invention;
FIG. 2 is a front elevational view of the lighter shown in FIG. 1;
FIG. 3 is a rear elevational view of the lighter shown in FIG. 1;
FIG. 4 is a right-side elevational view of the lighter shown in FIG. 1;
FIG. 5 is a left-side elevational view of the lighter shown in FIG. 1;
FIG. 6 is a top plan view of the lighter shown in FIG. 1; and,
FIG. 7 is a bottom plan view of the lighter shown in FIG. 1.
The broken lines in the drawings depict portions of the lighter device that form no part of the claimed design.

1 Claim, 5 Drawing Sheets



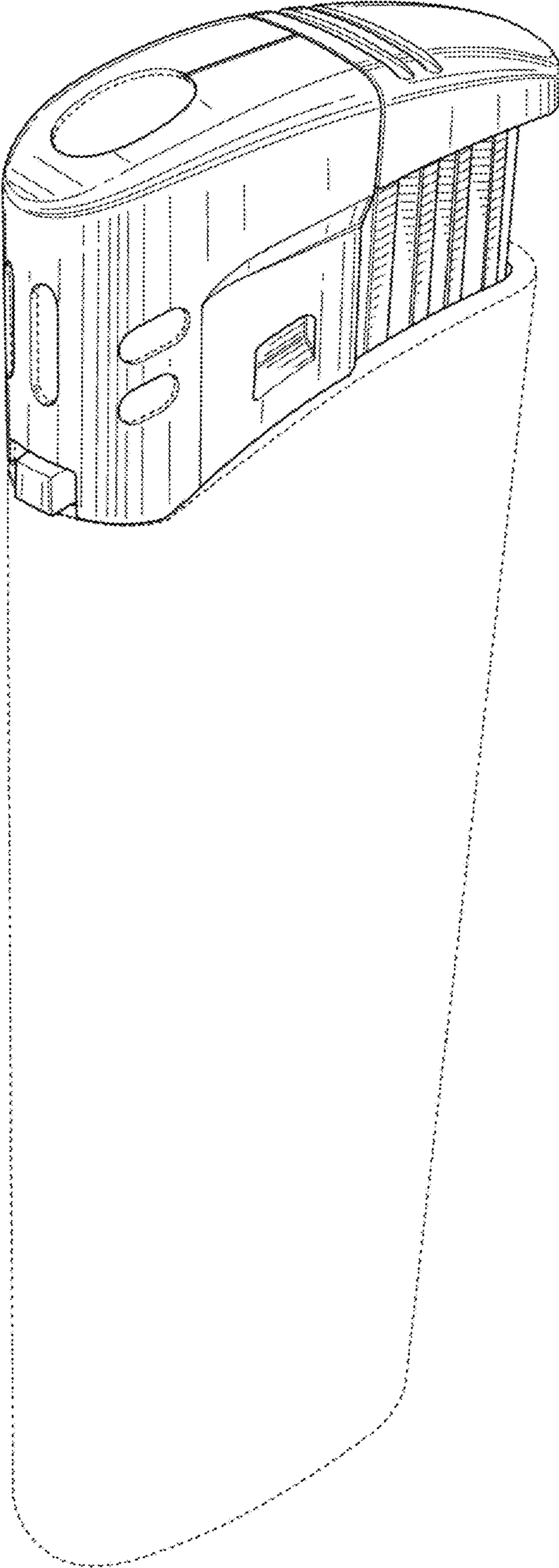


FIG. 1

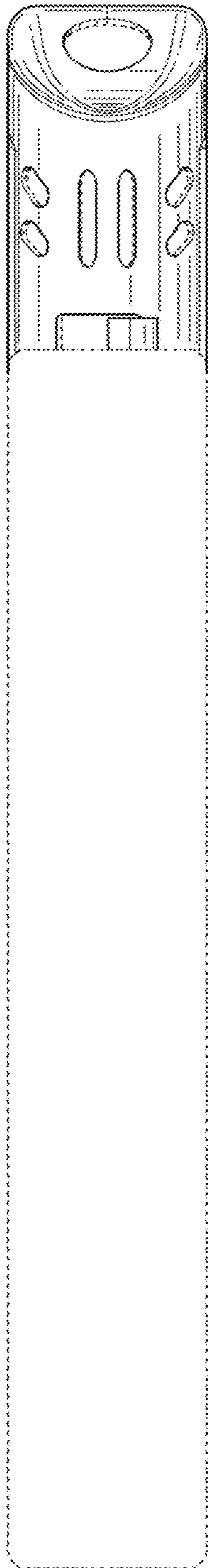


FIG. 2

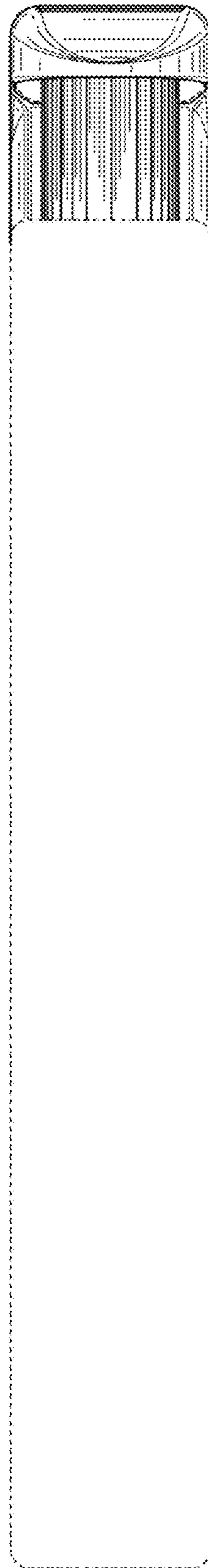


FIG. 3

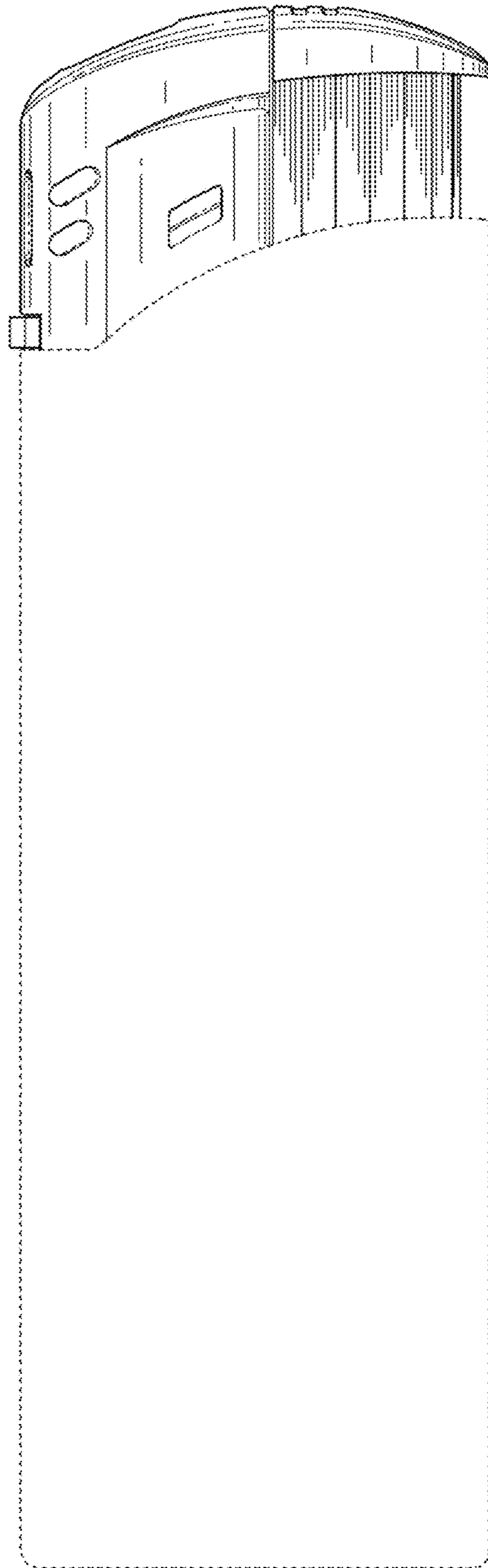


FIG. 4

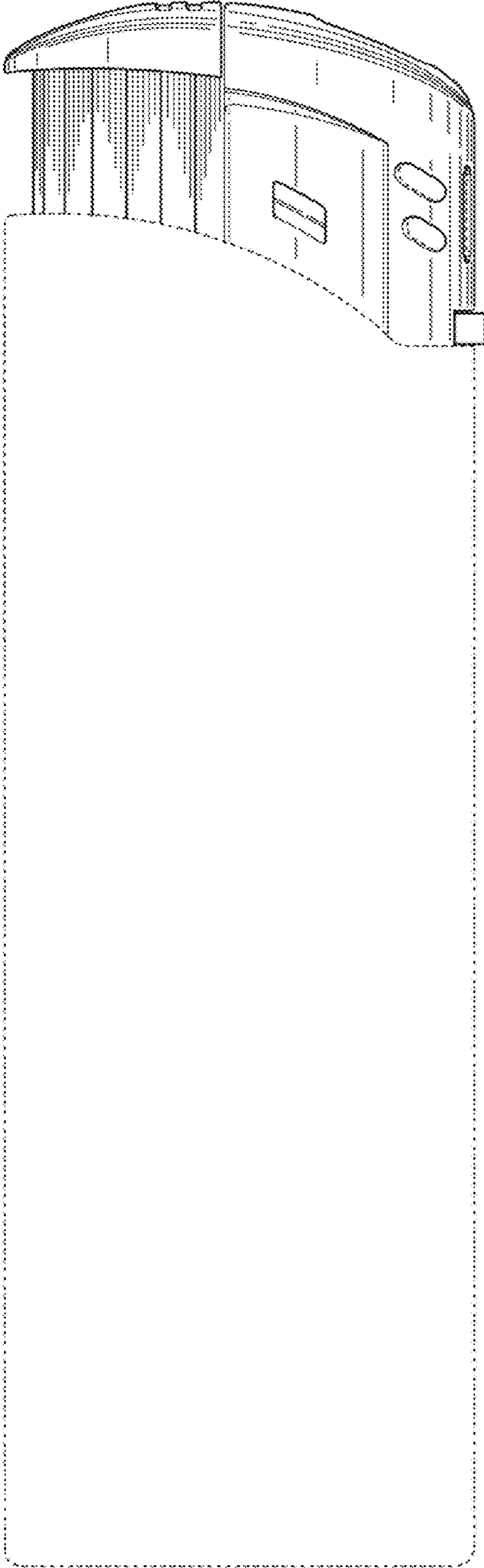


FIG. 5

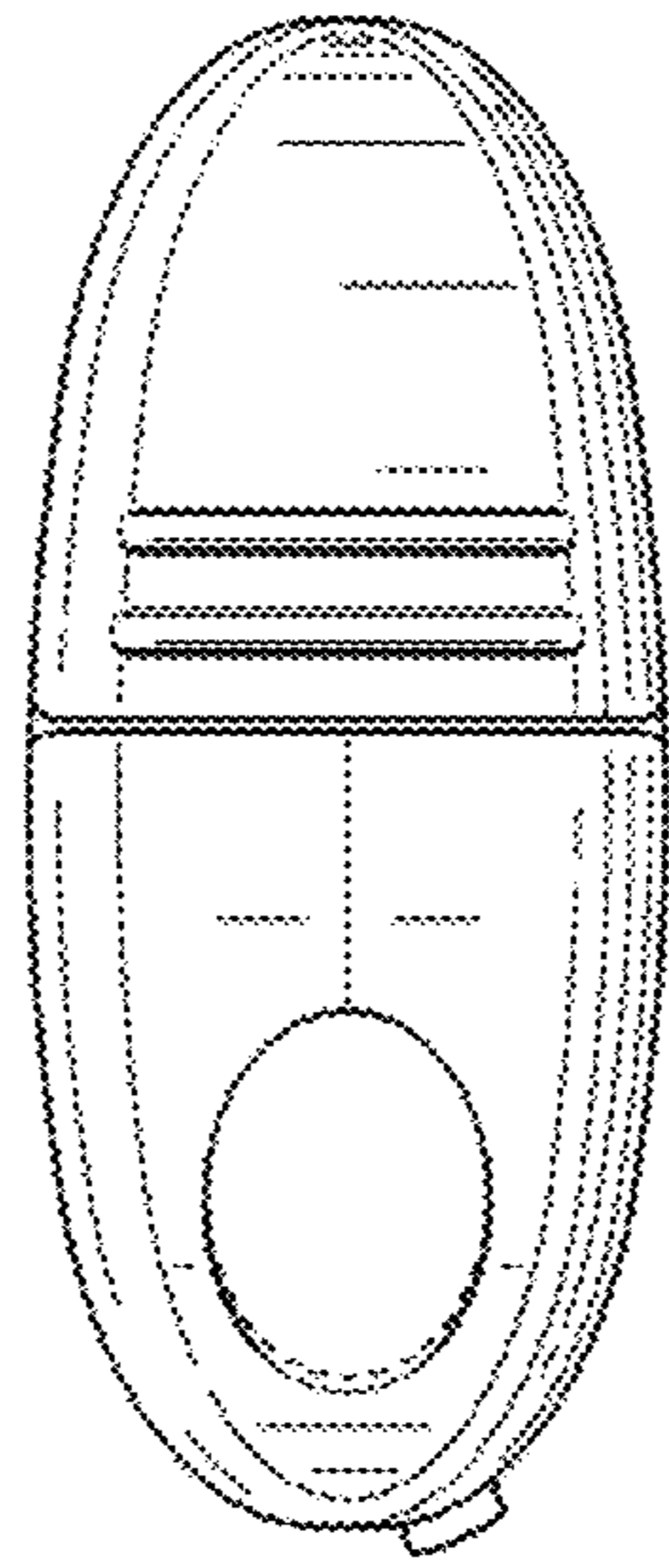


FIG. 6

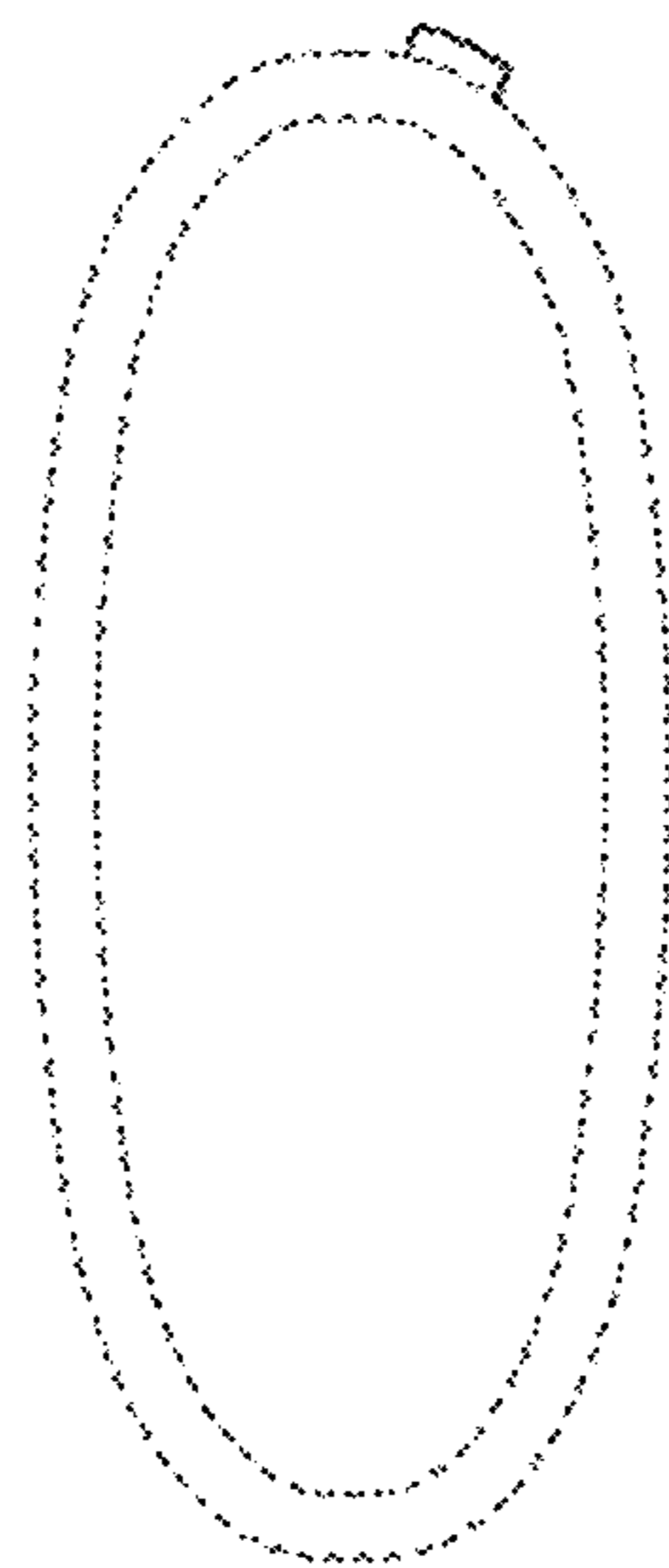


FIG. 7