



US00D829373S

(12) **United States Design Patent**
Huang et al.

(10) **Patent No.:** **US D829,373 S**

(45) **Date of Patent:** **** Sep. 25, 2018**

(54) **ELECTRONIC CIGARETTE**

(71) Applicant: **Shenzhen Goldreams Technology Co., Ltd.**, Shenzhen, Guangdong (CN)

(72) Inventors: **Liangzhi Huang**, Guangdong (CN);
Furong Huang, Guangdong (CN)

(73) Assignee: **Shenzhen Goldreams Technology Co., Ltd.**, Shenzhen (CN)

(**) Term: **15 Years**

(21) Appl. No.: **29/630,181**

(22) Filed: **Dec. 19, 2017**

(51) **LOC (11) Cl.** **27-01**

(52) **U.S. Cl.**
USPC **D27/101**

(58) **Field of Classification Search**
USPC D27/100, 101, 162, 163–194;
D19/115–123, 161–169; D24/110;
D23/366
CPC A24F 47/008; A24F 47/002; A24F 7/02;
A61M 15/06
See application file for complete search history.

D686,621 S * 7/2013 Pawlus D14/411
D689,999 S * 9/2013 Viala D23/366
D700,397 S * 2/2014 Manca D27/189
D700,738 S * 3/2014 Rennick D27/189
D748,853 S * 2/2016 Seibel D27/101
D762,002 S * 7/2016 Liu D27/162
D763,502 S * 8/2016 Verleur D27/167
D779,719 S * 2/2017 Qiu D27/101
D790,123 S * 6/2017 Beer D27/101
D790,124 S * 6/2017 Beer D27/101
D790,125 S * 6/2017 Beer D27/101
D799,111 S * 10/2017 Qiu D27/101
D802,834 S * 11/2017 Mathias D27/163
D807,574 S * 1/2018 Hawes D27/101
D808,071 S * 1/2018 Folkerts D27/101
D808,073 S * 1/2018 Leidel D27/162
D809,648 S * 2/2018 Ohrt D24/110
D818,636 S * 5/2018 Qiu D27/101

(Continued)

Primary Examiner — Brandon M Rosati
Assistant Examiner — Marissa J Cash

(57) **CLAIM**

The ornamental design for an electronic cigarette, as shown and described.

DESCRIPTION

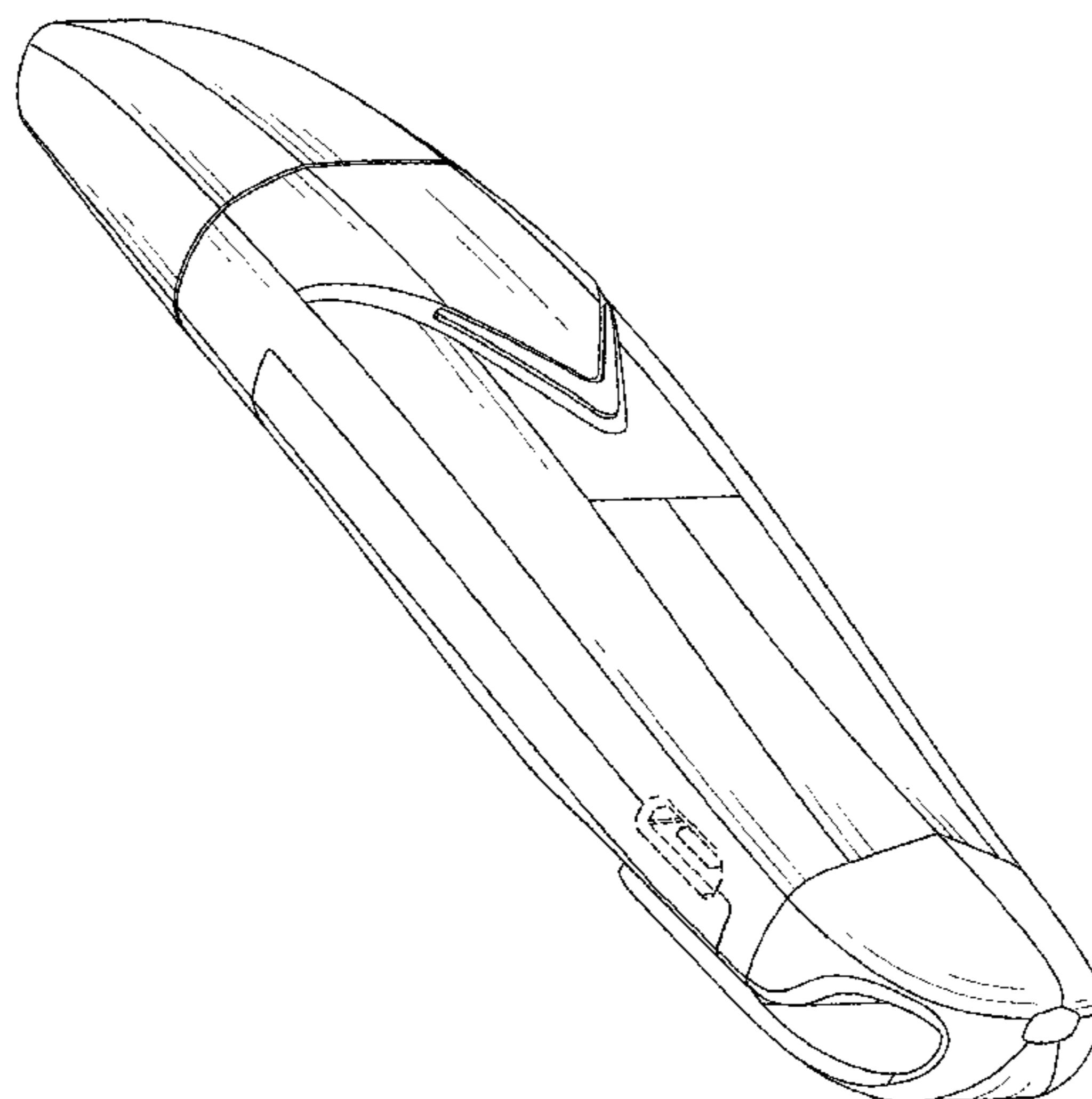
FIG. 1 is a front elevational view of an electronic cigarette showing our new design;
FIG. 2 is a rear elevational view thereof;
FIG. 3 is a left side view thereof;
FIG. 4 is a right side view thereof;
FIG. 5 is a top plan view thereof;
FIG. 6 is a bottom plan view thereof;
FIG. 7 is a first perspective view thereof; and,
FIG. 8 is a second perspective view thereof.
The broken lines in the drawings illustrate portions of the electronic cigarette which form no part of the claimed design.

1 Claim, 8 Drawing Sheets

(56) **References Cited**

U.S. PATENT DOCUMENTS

D367,526 S * 2/1996 Bignon D23/366
D373,993 S * 9/1996 Kettula D13/107
D379,473 S * 5/1997 DeLorenzo D19/159
D447,276 S * 8/2001 Gustafson D27/165
D453,531 S * 2/2002 Simon D19/163
D478,983 S * 8/2003 Whitehall D24/110
D518,569 S * 4/2006 Nishibayashi D24/110
D541,923 S * 5/2007 Castillo Higareda D23/366
D552,730 S * 10/2007 Collins D24/110
D562,889 S * 2/2008 Qiu D19/163
D579,544 S * 10/2008 Birath D24/110
D619,579 S * 7/2010 Flores Rodrigues Vieira
D14/411
D642,255 S * 7/2011 Mazzeo D23/366



(56)

References Cited

U.S. PATENT DOCUMENTS

D818,638 S * 5/2018 Wright D27/170
D819,263 S * 5/2018 Zhu D27/101
D820,514 S * 6/2018 Durand D27/162
D820,515 S * 6/2018 Nettenstrom D27/167
2015/0034104 A1 * 2/2015 Zhou A24F 47/008
131/329
2015/0320116 A1 * 11/2015 Bleloch A61M 15/06
219/628
2016/0331912 A1 * 11/2016 Trzeciecki A61M 11/042
2016/0353805 A1 * 12/2016 Hawes A24F 47/008
2017/0215478 A1 * 8/2017 Harrison A24F 47/008
2018/0084828 A1 * 3/2018 Phillips A24F 47/008

* cited by examiner

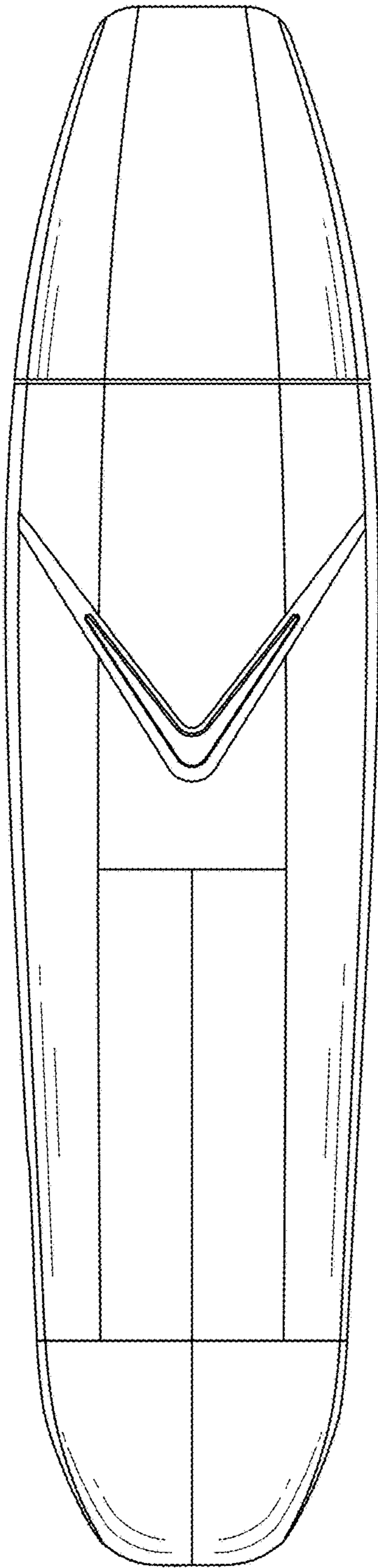


FIG.1

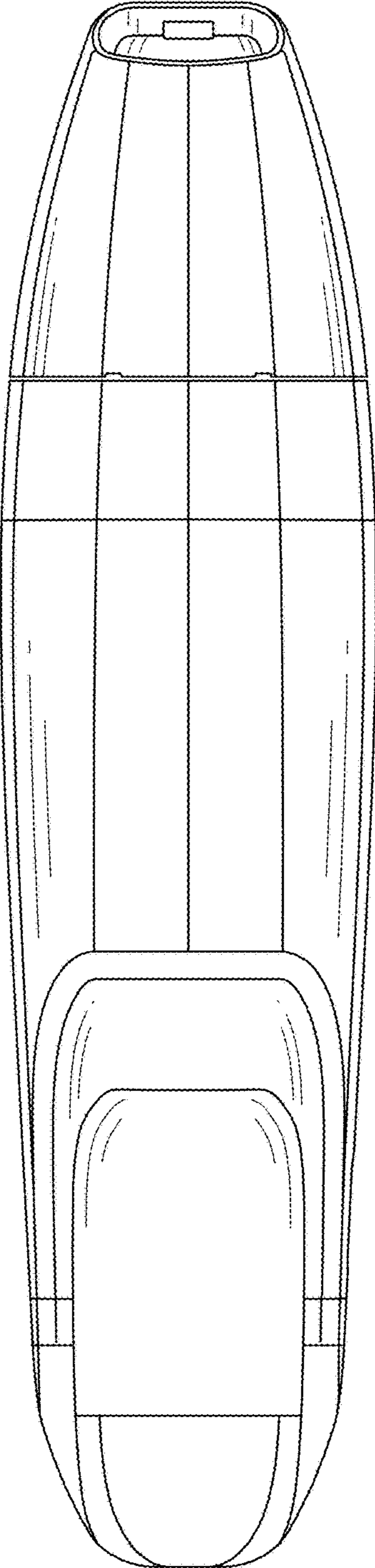


FIG.2

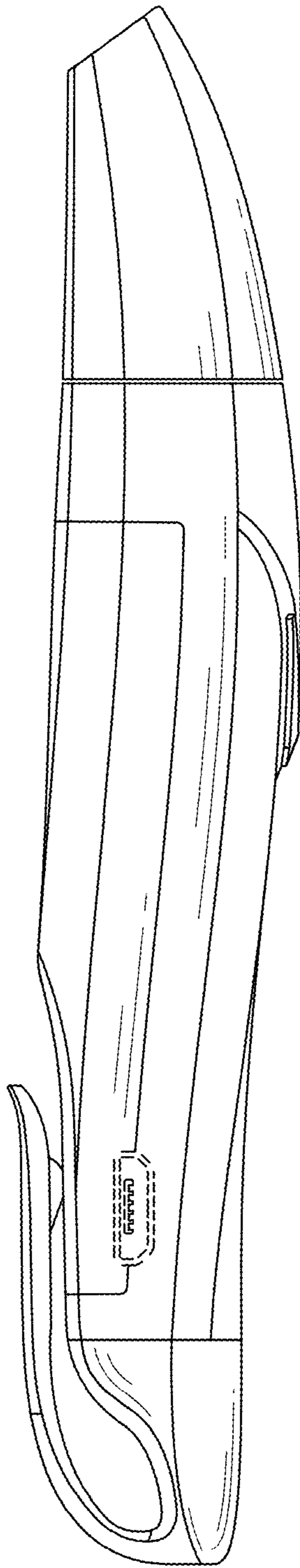


FIG.3

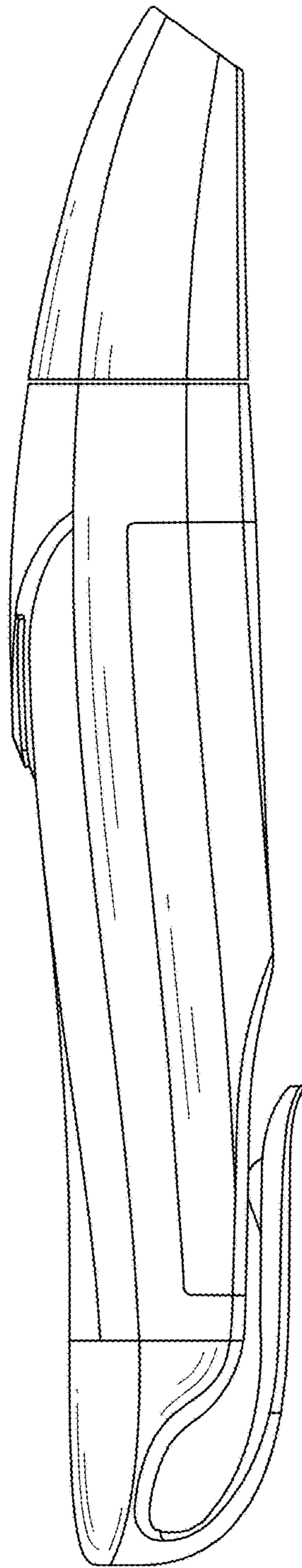


FIG.4

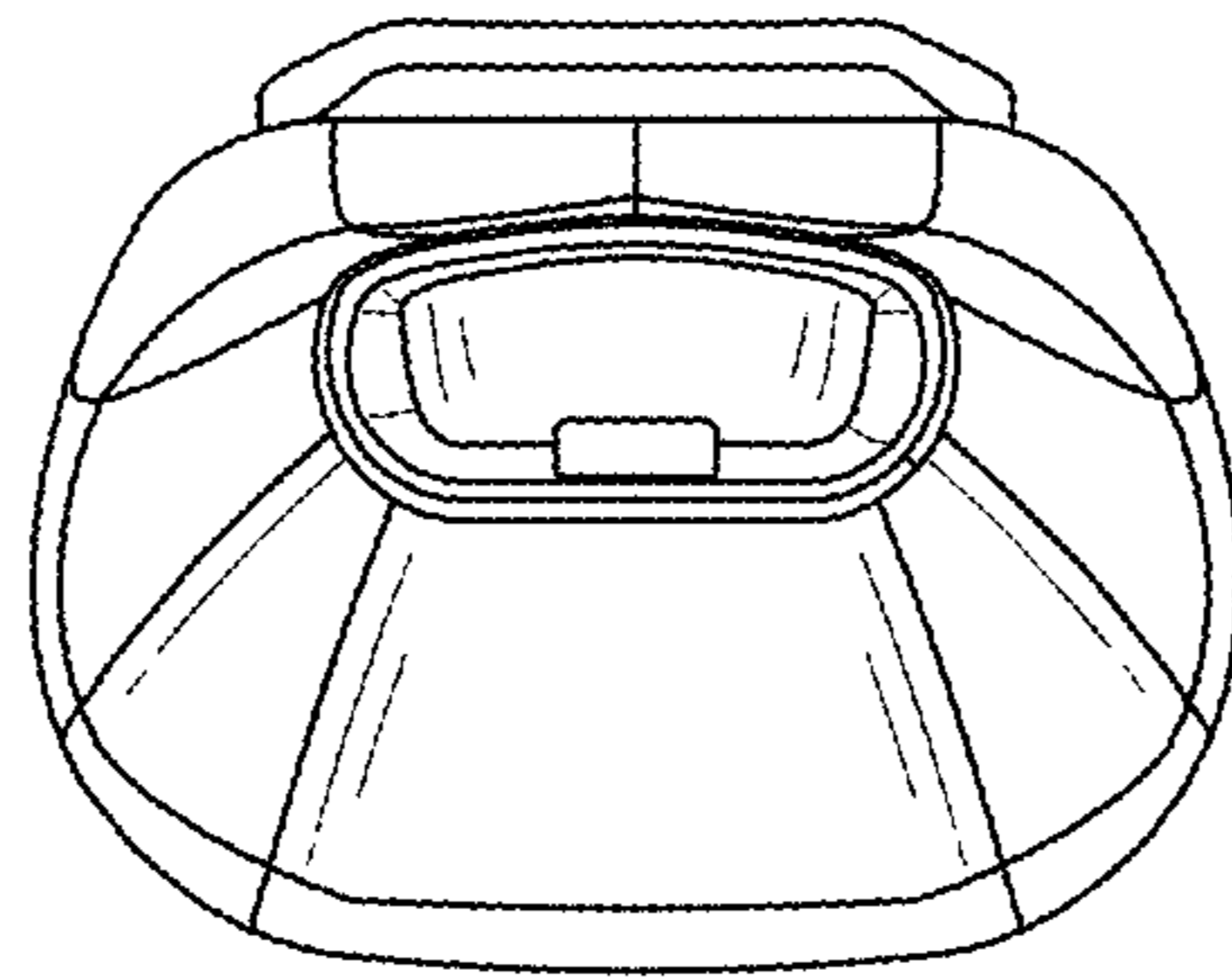


FIG. 5

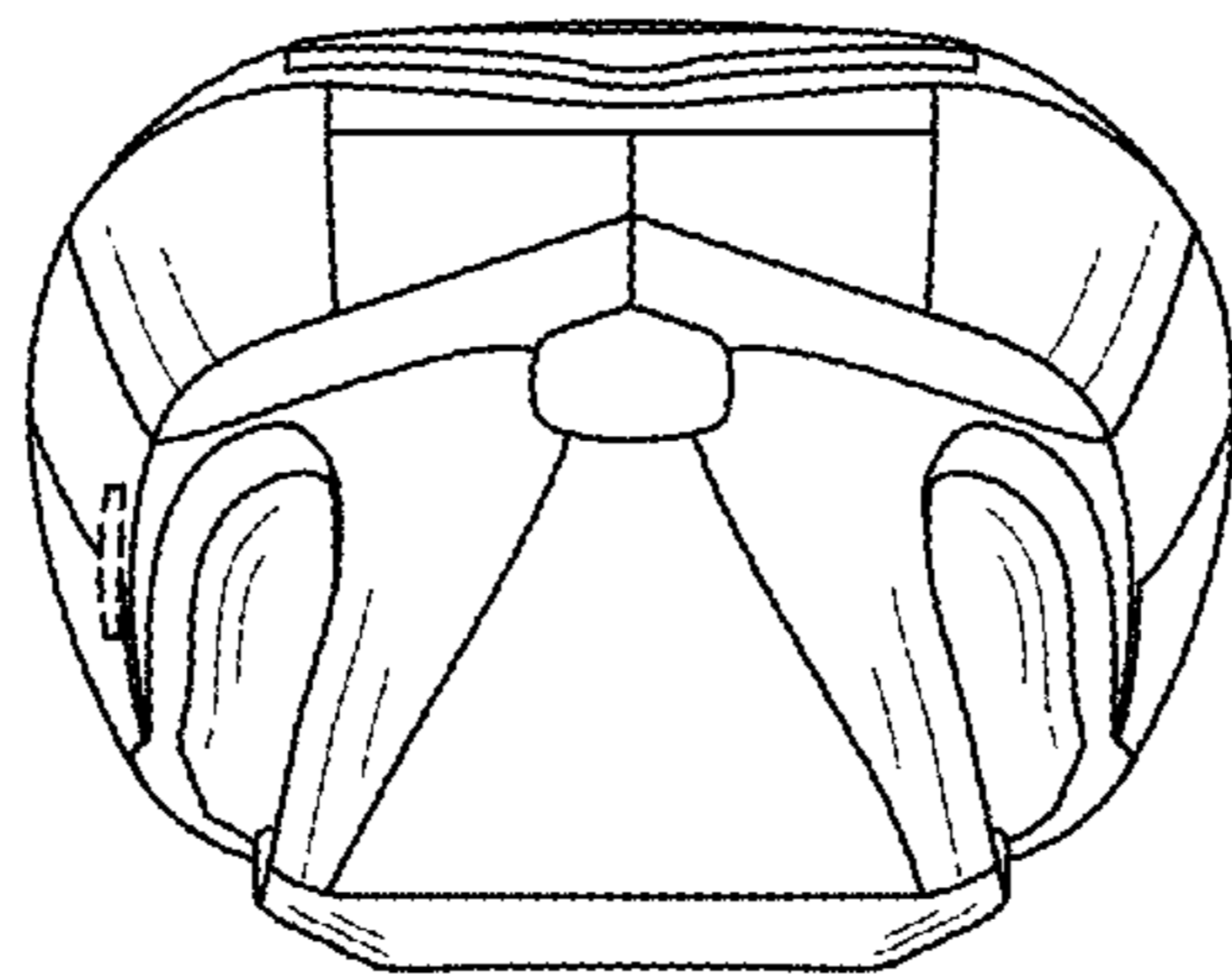


FIG.6

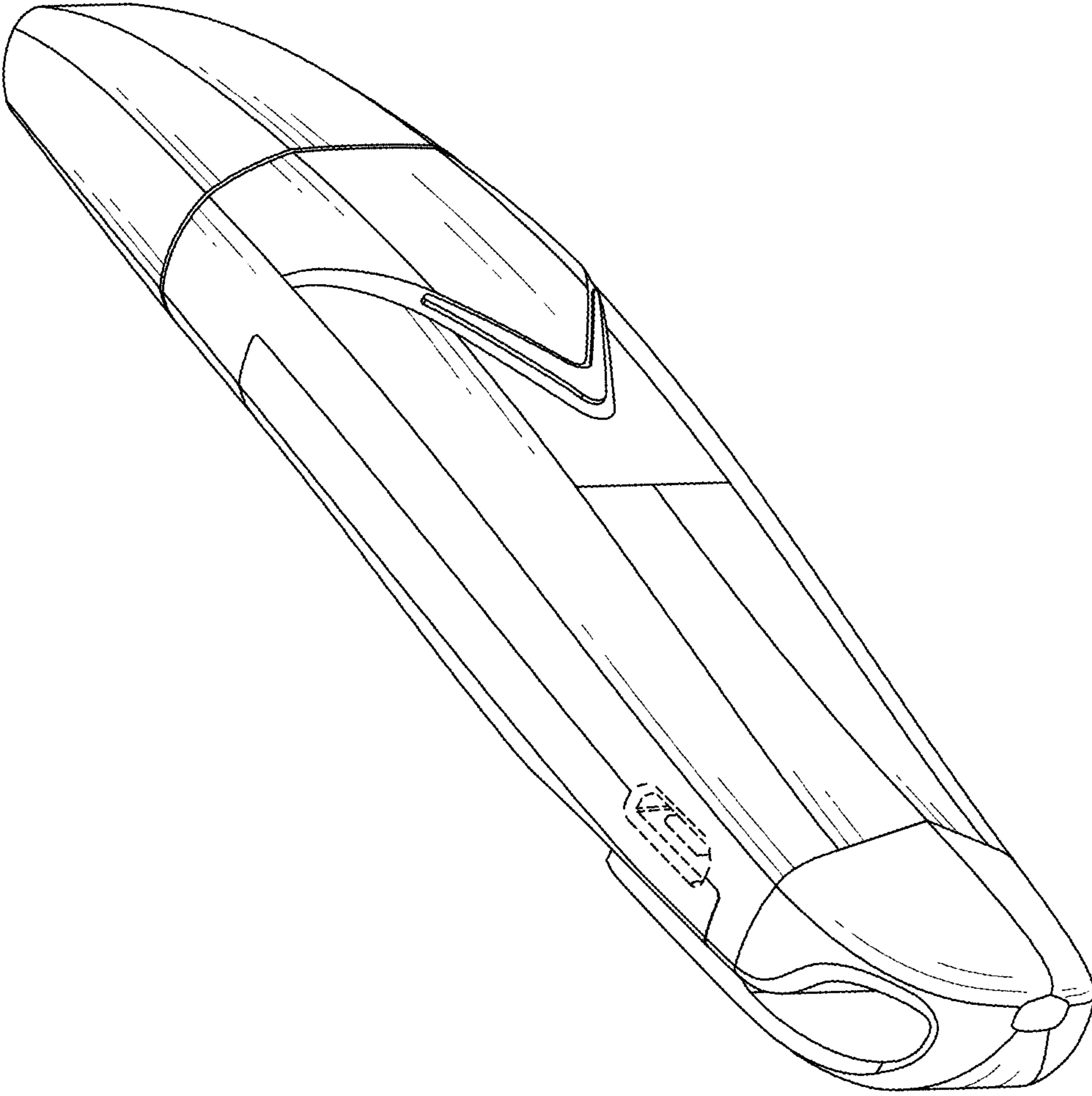


FIG.7

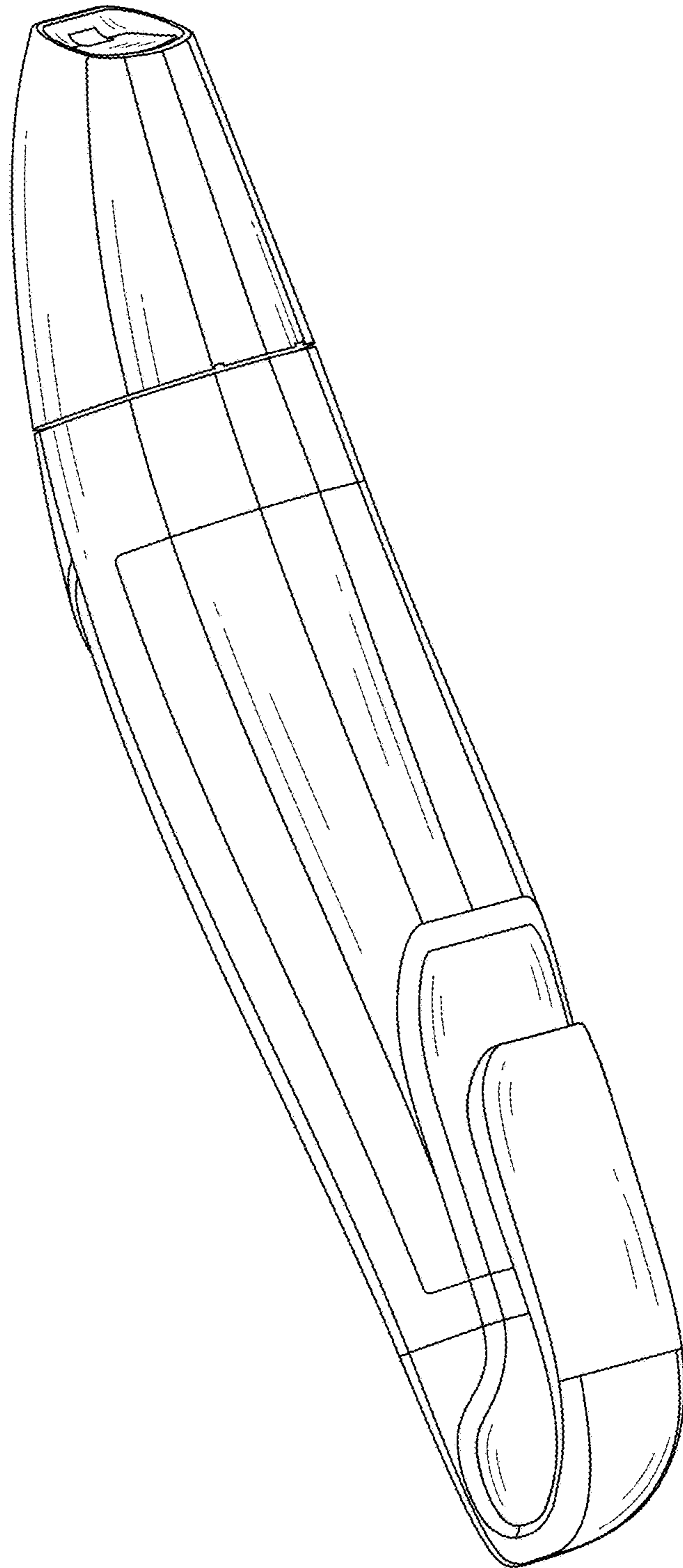


FIG.8