



US00D829371S

(12) **United States Design Patent** (10) **Patent No.:** **US D829,371 S**
Durand (45) **Date of Patent:** **** Sep. 25, 2018**

(54) **VAPING DEVICE**
 (71) Applicant: **J WELL FRANCE**, Paris (FR)
 (72) Inventor: **Cyrille Durand**, Boulogne (FR)
 (73) Assignee: **J WELL FRANCE**, Paris (FR)
 (**) Term: **15 Years**

D771,867 S 11/2016 Leidel et al.
 D773,113 S 11/2016 Elhalawani
 D776,337 S * 1/2017 Levin D27/101
 D776,338 S * 1/2017 Lomeli D27/163
 D776,869 S * 1/2017 Heidl D27/163
 D779,719 S * 2/2017 Qiu D27/101
 D785,862 S 5/2017 Wu
 D786,497 S * 5/2017 Sudlow D27/162
 D790,766 S 6/2017 Li
 (Continued)

(21) Appl. No.: **29/623,914**
 (22) Filed: **Oct. 27, 2017**
 (51) **LOC (11) Cl.** **27-01**
 (52) **U.S. Cl.**
 USPC **D27/101**
 (58) **Field of Classification Search**
 USPC D27/100, 101, 162, 163, 172, 183, 184,
 D27/185, 186, 187, 188, 189, 193, 194
 CPC A24F 1/30; A24F 5/04; A24F 9/00; A24F
 47/002
 See application file for complete search history.

OTHER PUBLICATIONS

BO One Vaping Kit by Electric Tobacconist. dated 2018. found online [Feb. 26, 2018] <https://www.electrictobacconist.com/bo-vape-starter-kit-p4245>.
 (Continued)

Primary Examiner — Brandon M Rosati
Assistant Examiner — Marissa J Cash
 (74) *Attorney, Agent, or Firm* — Colby Nipper PLLC

(56) **References Cited**

U.S. PATENT DOCUMENTS

D424,236 S 5/2000 Reed
 D532,927 S * 11/2006 Sann D27/101
 D539,978 S 4/2007 Kassir
 D561,388 S 2/2008 Kassir
 7,827,995 B2 11/2010 Chaoui
 D675,777 S 2/2013 Wu
 D718,492 S * 11/2014 Albanese D27/101
 D725,310 S * 3/2015 Eksouzian D27/101
 D742,587 S 11/2015 Masri
 D754,392 S 4/2016 Helou
 D754,914 S 4/2016 Helou
 D754,915 S 4/2016 Helou
 D755,439 S 5/2016 Helou
 D757,999 S 5/2016 Elhalwani
 D760,948 S * 7/2016 Eksouzian D27/101
 D762,003 S * 7/2016 Lomeli D27/163
 D770,678 S 11/2016 Shin

DESCRIPTION

(57) **CLAIM**
 I claim the ornamental design for a vaping device, as shown and described.

FIG. 1 is a front-side perspective view of a vaping device showing my design;
 FIG. 2 is a front elevation view thereof;
 FIG. 3 is a rear elevation view thereof;
 FIG. 4 is a left side elevation view thereof;
 FIG. 5 is a right side elevation view thereof;
 FIG. 6 is a top plan view thereof;
 FIG. 7 is a bottom plan view thereof; and,
 FIG. 8 is an exploded front-side perspective view of an embodiment of a cartridge and a base of the vaping device. The broken lines shown represent unclaimed subject matter and form no part of the claimed design.

1 Claim, 5 Drawing Sheets



(56)

References Cited

OTHER PUBLICATIONS

U.S. PATENT DOCUMENTS

D792,643 S 7/2017 Wong et al.
 D799,110 S * 10/2017 Qiu D27/101
 D799,112 S * 10/2017 Qiu D27/101
 D799,113 S * 10/2017 Qiu D27/101
 D799,744 S * 10/2017 Qiu D27/101
 D799,745 S * 10/2017 Qiu D27/101
 D802,839 S * 11/2017 Scott D27/194
 D805,685 S * 12/2017 Lee D27/101
 D808,071 S * 1/2018 Folkerts D27/101
 D811,003 S * 2/2018 Folyan D27/101
 2009/0095310 A1 4/2009 Chaoui
 2012/0180803 A1 7/2012 Beloni
 2015/0034104 A1* 2/2015 Zhou A24F 47/008
 131/329
 2016/0345626 A1* 12/2016 Wong A24F 47/008

CYNC Standard Battery by Electric Tobacconist. dated 2018. found online [Feb. 26, 2018] <https://www.electrictobacconist.com/cync-standard-battery-p1307>.*

JUUL Battery by Electric Tobacconist. dated 2018. found online [Feb. 26, 2018] <https://www.electrictobacconist.com/juul-battery-p4452>.*

“Non-Final Office Action”, U.S. Appl. No. 35/503,545, dated Mar. 7, 2018, 5 pages.

“Non-Final Office Action”, U.S. Appl. No. 35/503,545, dated May 1, 2018, 6 pages.

“My Von Erl Vaporizer Kit”, Electric Tobacconist. dated 2018. found online [Feb. 26, 2018] <https://www.electrictobacconist.com/my-von-erl-vaporizer-kit-p1055>, 6 pages.

“Non-Final Office Action”, U.S. Appl. No. 29/637,926, dated Mar. 29, 2018, 6 pages.

“Notice of Allowance”, U.S. Appl. No. 29/629,337, dated Mar. 29, 2018, 6 pages.

* cited by examiner

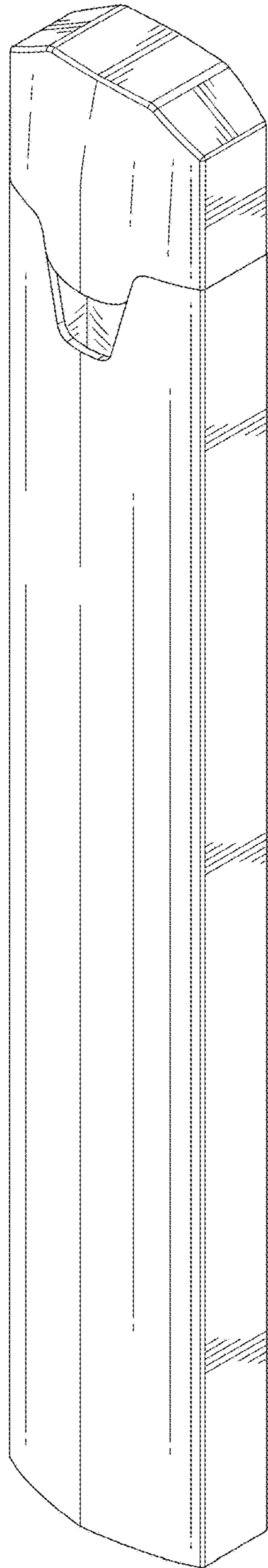


FIG. 1

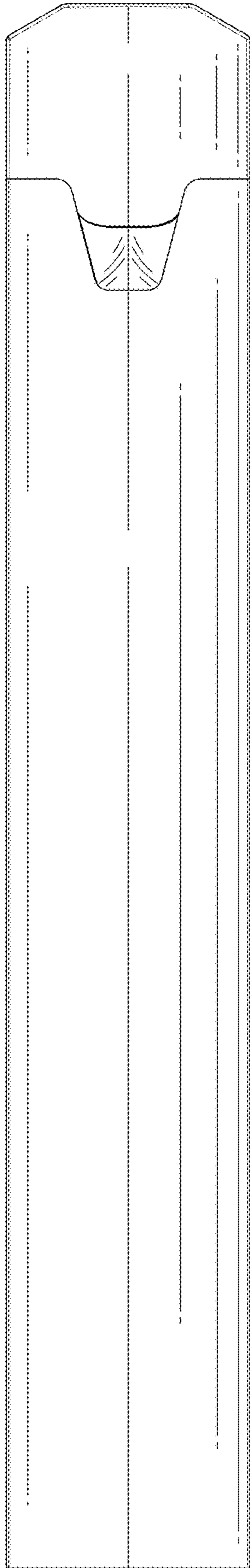


FIG. 2

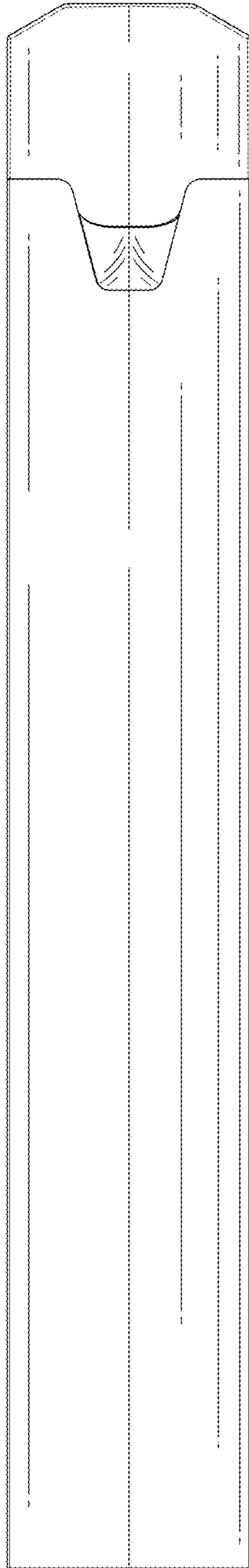


FIG. 3

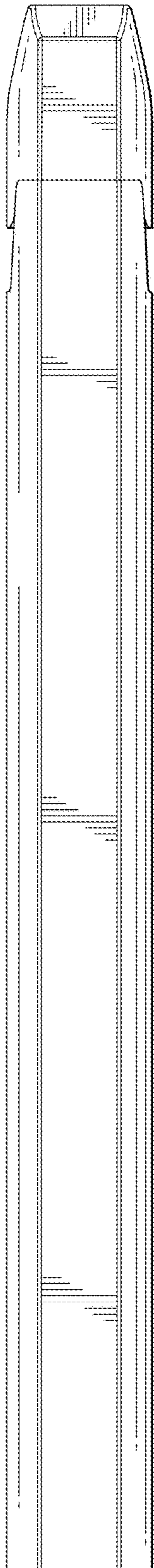


FIG. 4

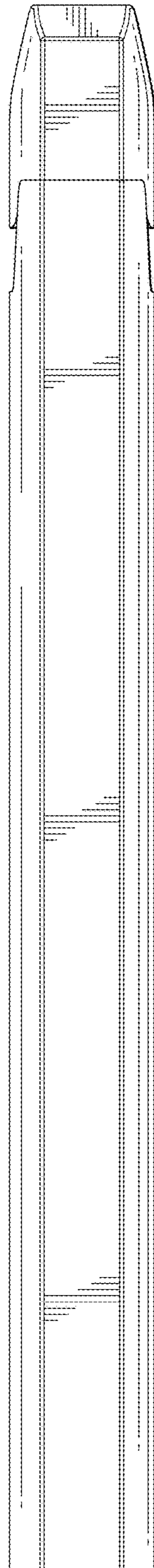


FIG. 5

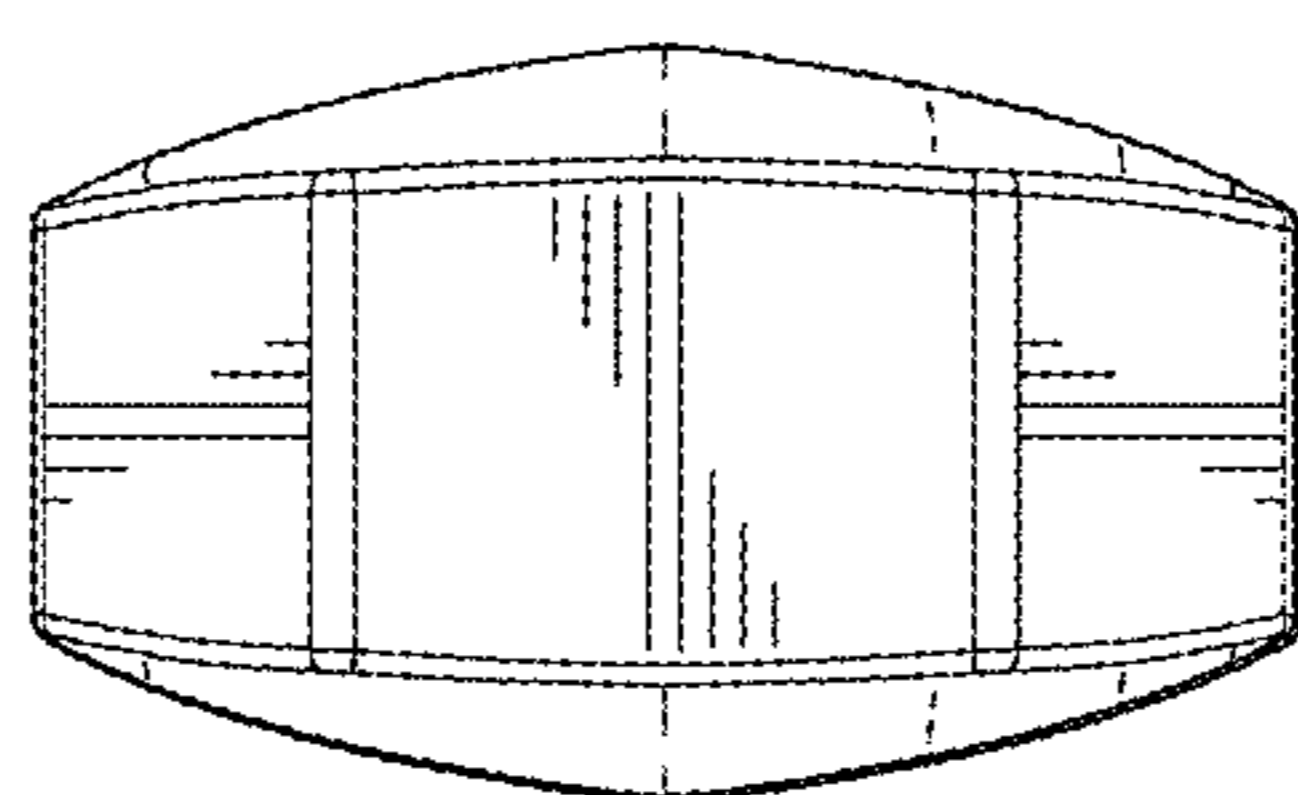


FIG. 6

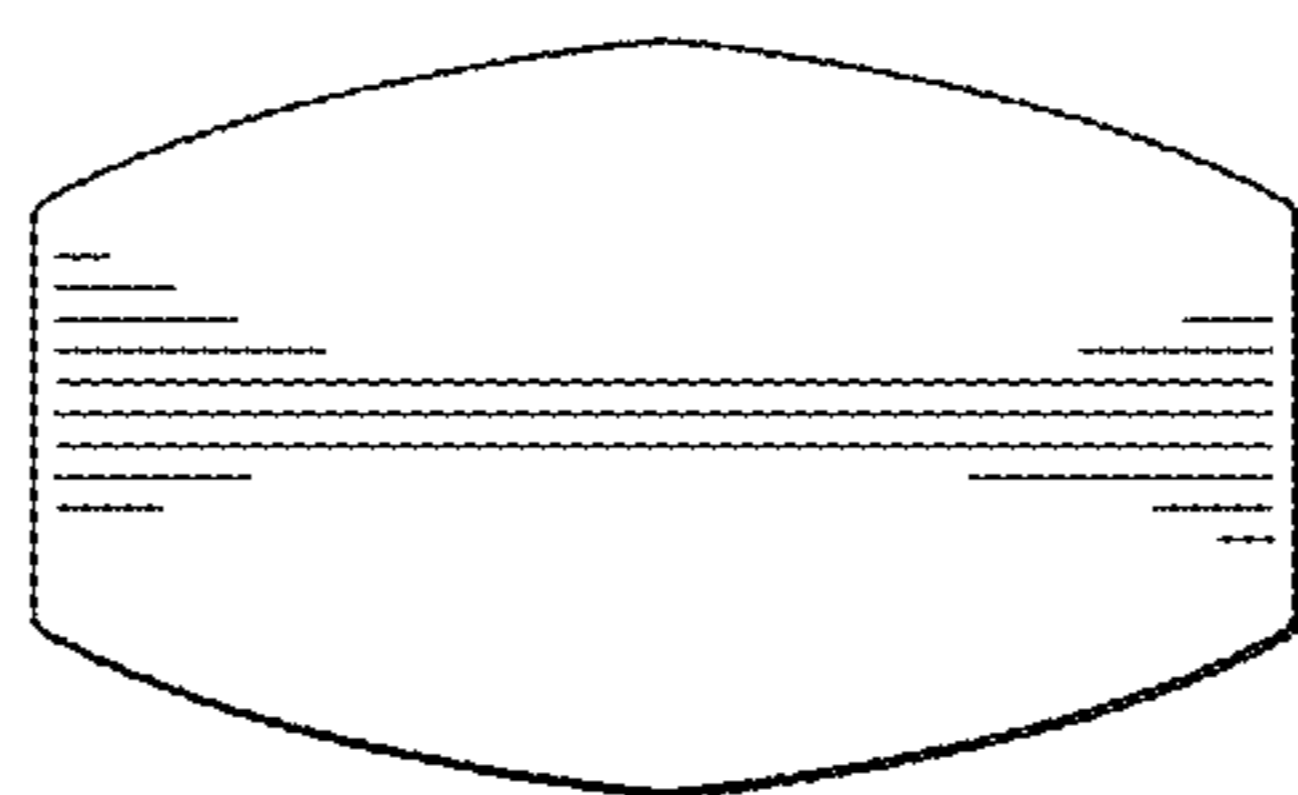


FIG. 7

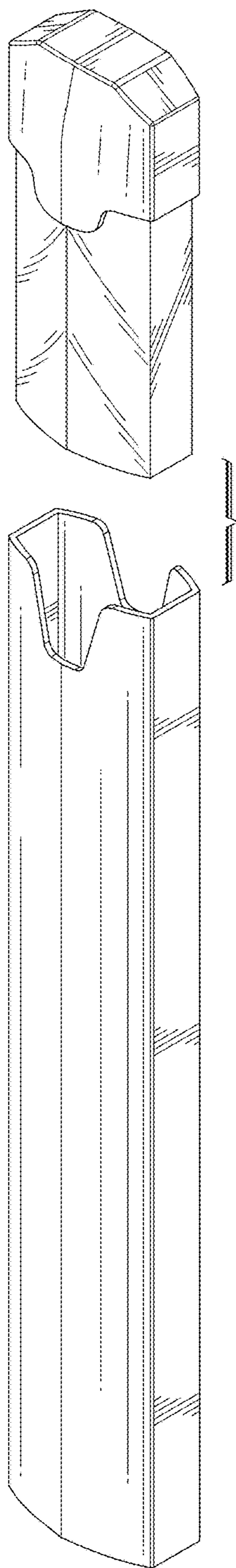


FIG. 8