

US00D829368S

(12) **United States Design Patent** (10) **Patent No.:** **US D829,368 S**
Hynek et al. (45) **Date of Patent:** **** Sep. 25, 2018**

(54) **CORNER GUARD FOR LED STRIPS**

(71) Applicants: **Martin Hynek**, Plzen (CZ); **Jakub Jirasko**, Plzen (CZ); **Petr Votapek**, Horepnik (CZ)

(72) Inventors: **Martin Hynek**, Plzen (CZ); **Jakub Jirasko**, Plzen (CZ); **Petr Votapek**, Horepnik (CZ)

(73) Assignee: **UNIVERSITY OF WEST BOHEMIA**, Pilsen (CZ)

(**) Term: **15 Years**

(21) Appl. No.: **29/618,047**

(22) Filed: **Sep. 19, 2017**

(51) **LOC (11) Cl.** **26-05**

(52) **U.S. Cl.**
USPC **D26/138**

(58) **Field of Classification Search**
USPC D26/28, 30, 31, 118, 2, 73, 74, 75, 79, D26/78, 122, 121, 138, 136, 137, D26/139-145, 155, 71, 60, 68, 113
CPC F21V 31/03; F21V 7/0083; F21V 29/004; B60Q 1/04; B60Q 1/26
See application file for complete search history.

(56) **References Cited**

U.S. PATENT DOCUMENTS

D287,446 S * 12/1986 Cowle D8/403
D356,946 S * 4/1995 Rekuc D8/403

D412,436 S * 8/1999 Tsui D8/403
D618,995 S * 7/2010 Lavelle D8/403
D623,344 S * 9/2010 Tsai D26/138
D624,813 S * 10/2010 Lavelle D8/403
D654,356 S * 2/2012 Lavelle D8/403
D660,454 S * 5/2012 Lavelle D24/227
D704,045 S * 5/2014 Lavelle D8/403
D709,360 S * 7/2014 Lavelle D8/403
D768,474 S * 10/2016 Super D8/403
D770,269 S * 11/2016 Lavelle D8/403
D814,358 S * 4/2018 Norfleet D12/106

* cited by examiner

Primary Examiner — Mark A Goodwin
Assistant Examiner — Benjamin M Weeks

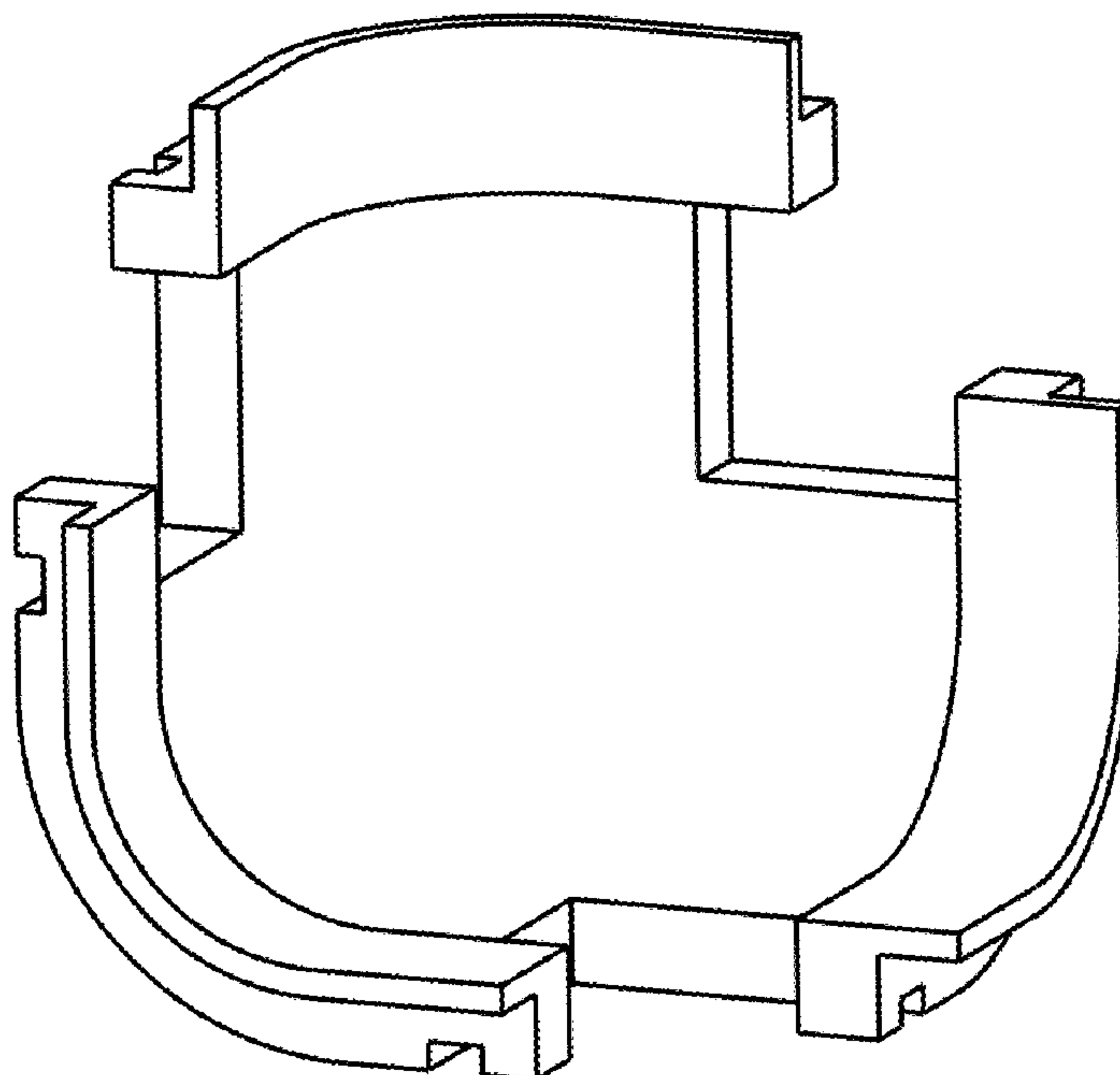
(57) **CLAIM**

The ornamental design for a corner guard for LED strips, as shown and described.

DESCRIPTION

FIG. 1 is a top, front, right perspective view of a corner guard for LED strips showing my new design;
FIG. 2 is a bottom, rear, left perspective view thereof;
FIG. 3 is a front elevational view thereof;
FIG. 4 is a left elevational view therefor;
FIG. 5 is a bottom plan view therefor;
FIG. 6 is a top plan view therefor; and,
FIG. 7 is a right elevational view therefor.

1 Claim, 2 Drawing Sheets



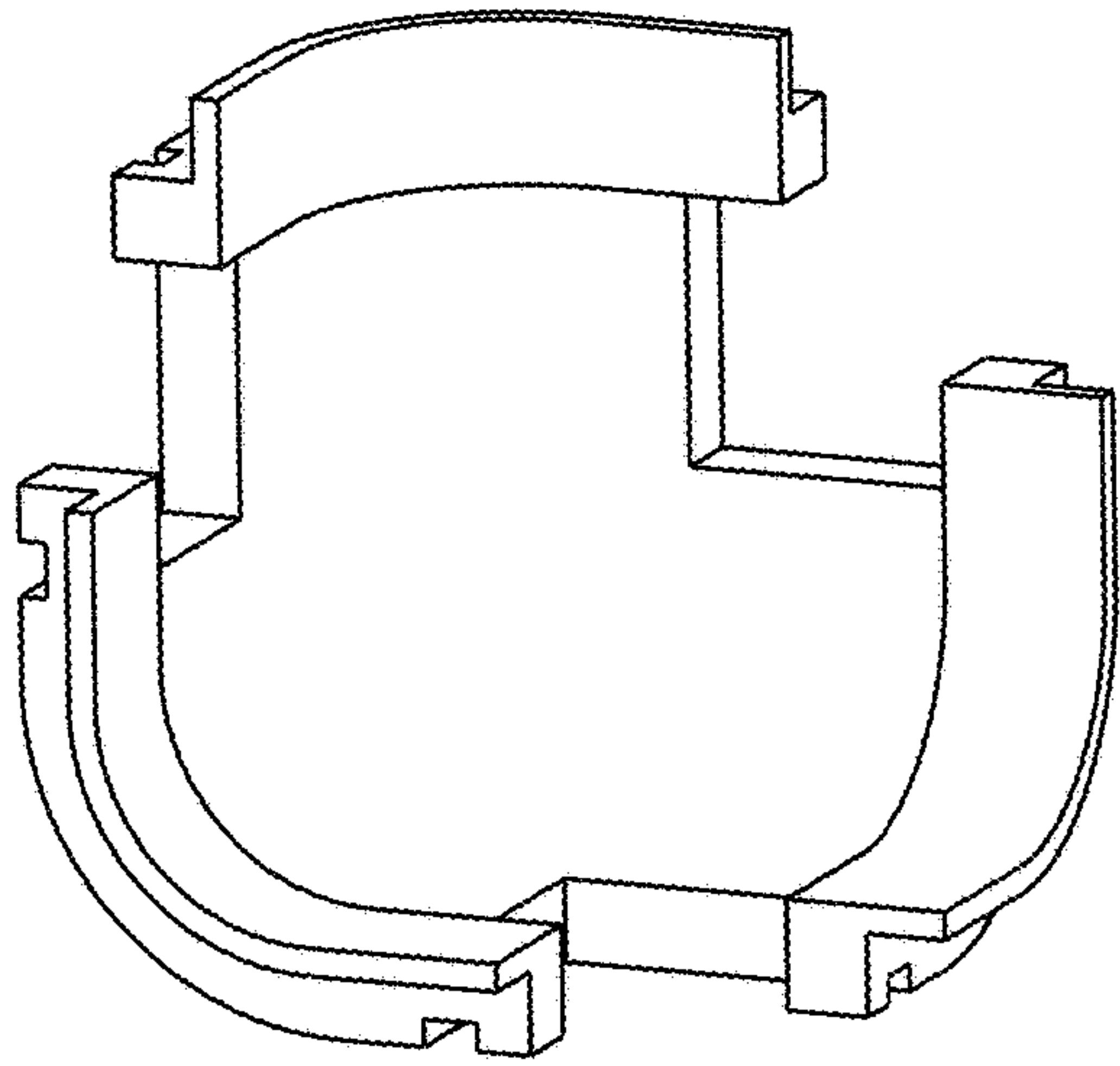


FIG. 1

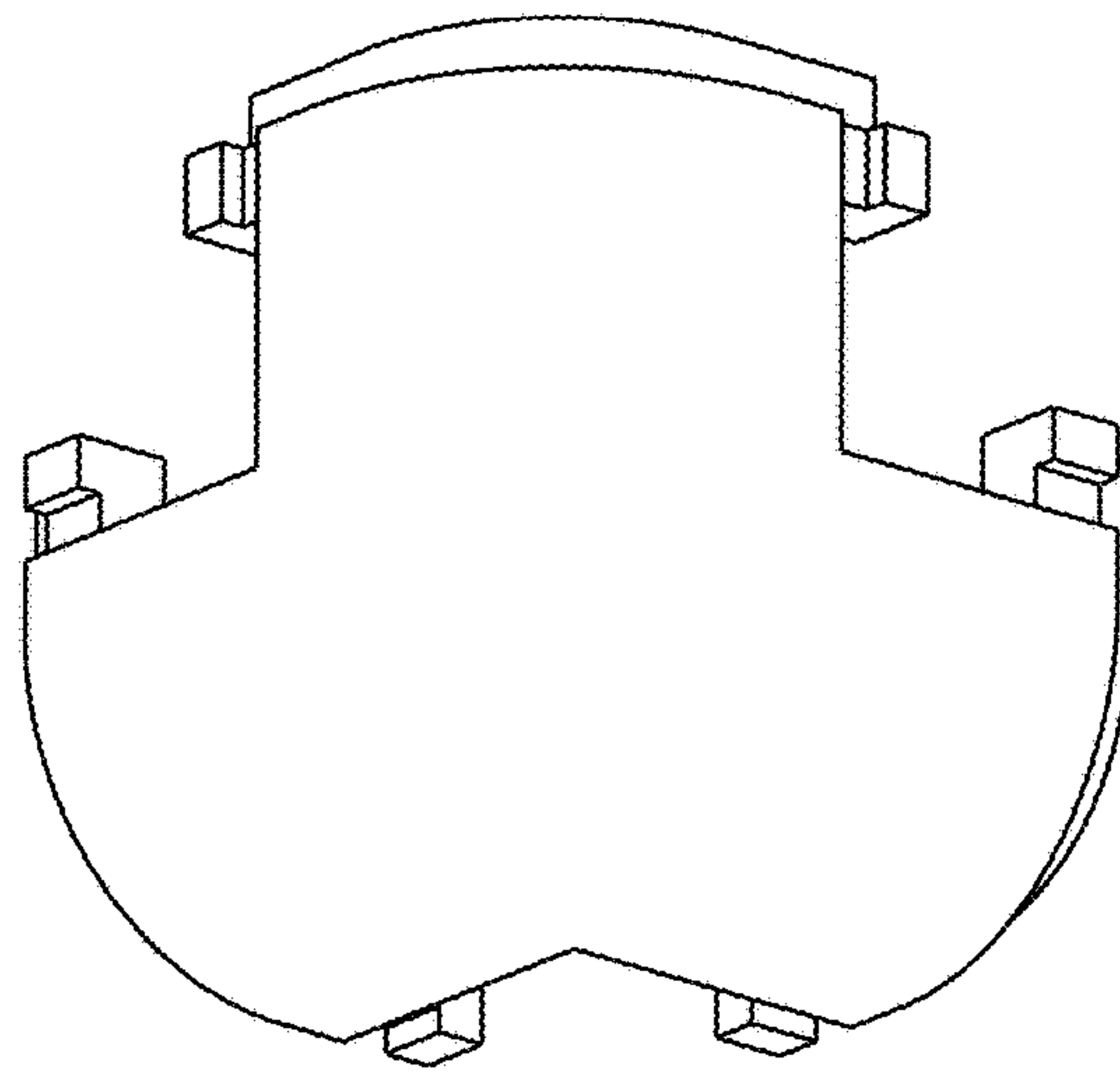


FIG. 2

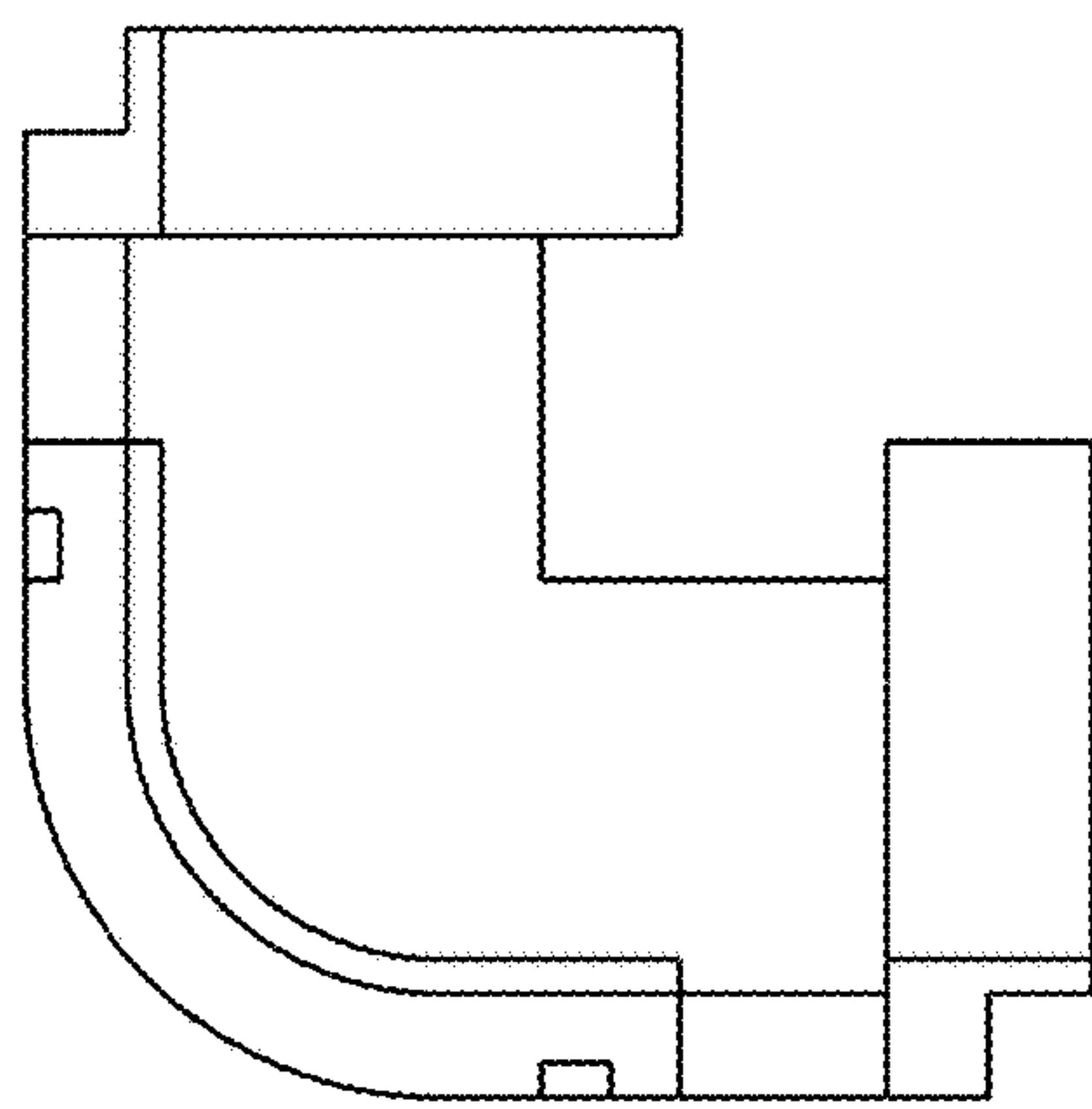


FIG. 3

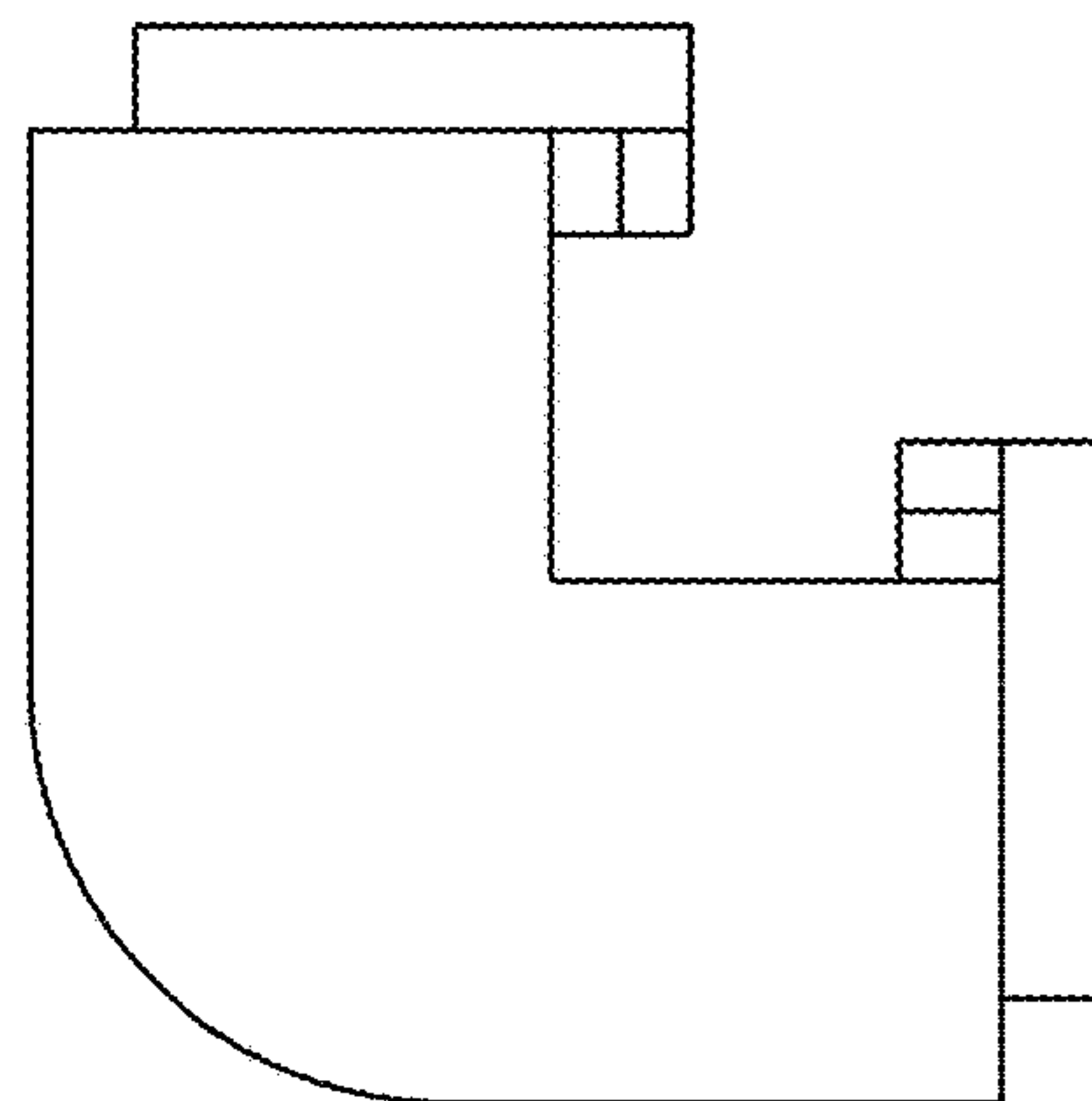


FIG. 4

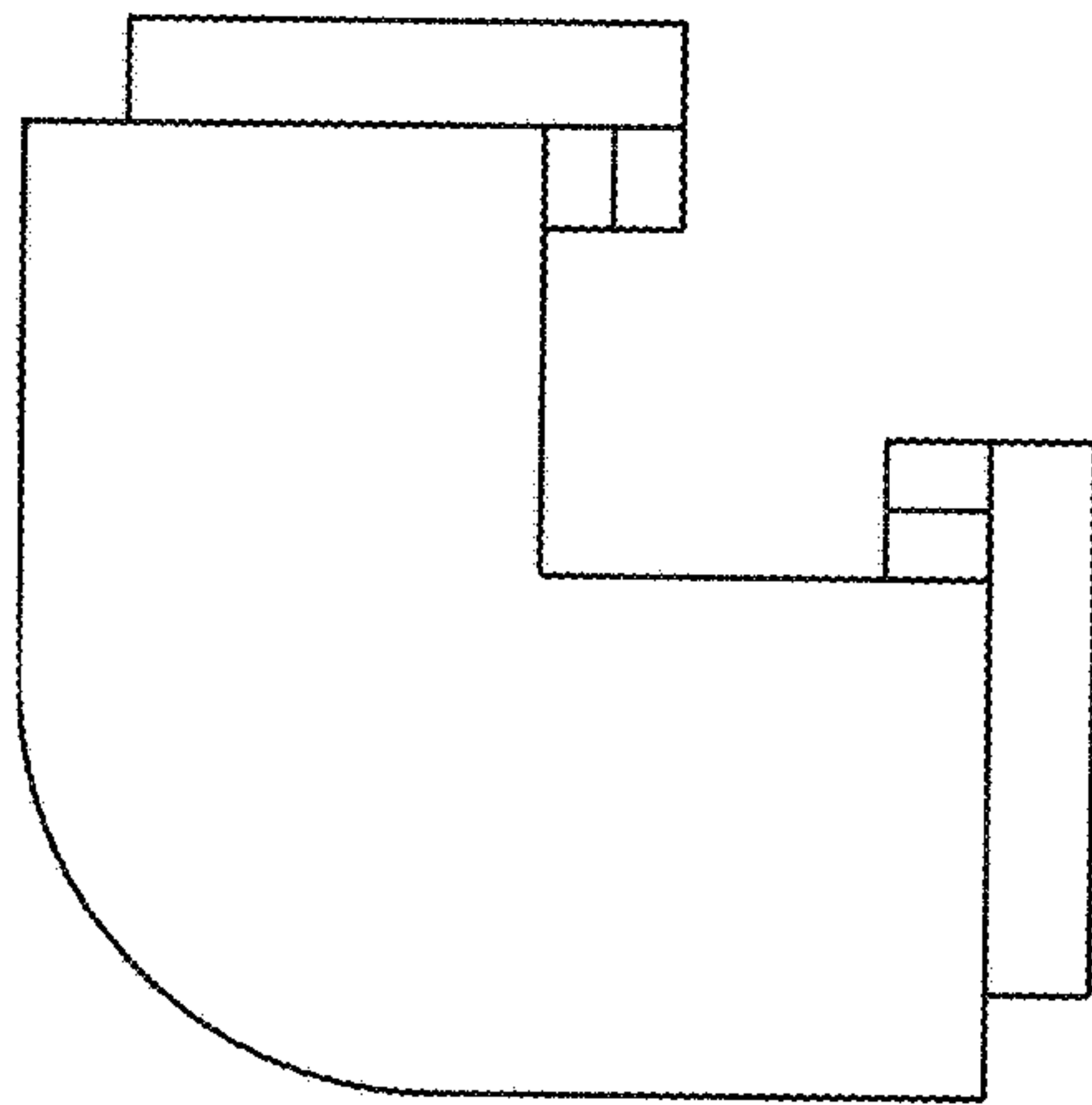


FIG. 5

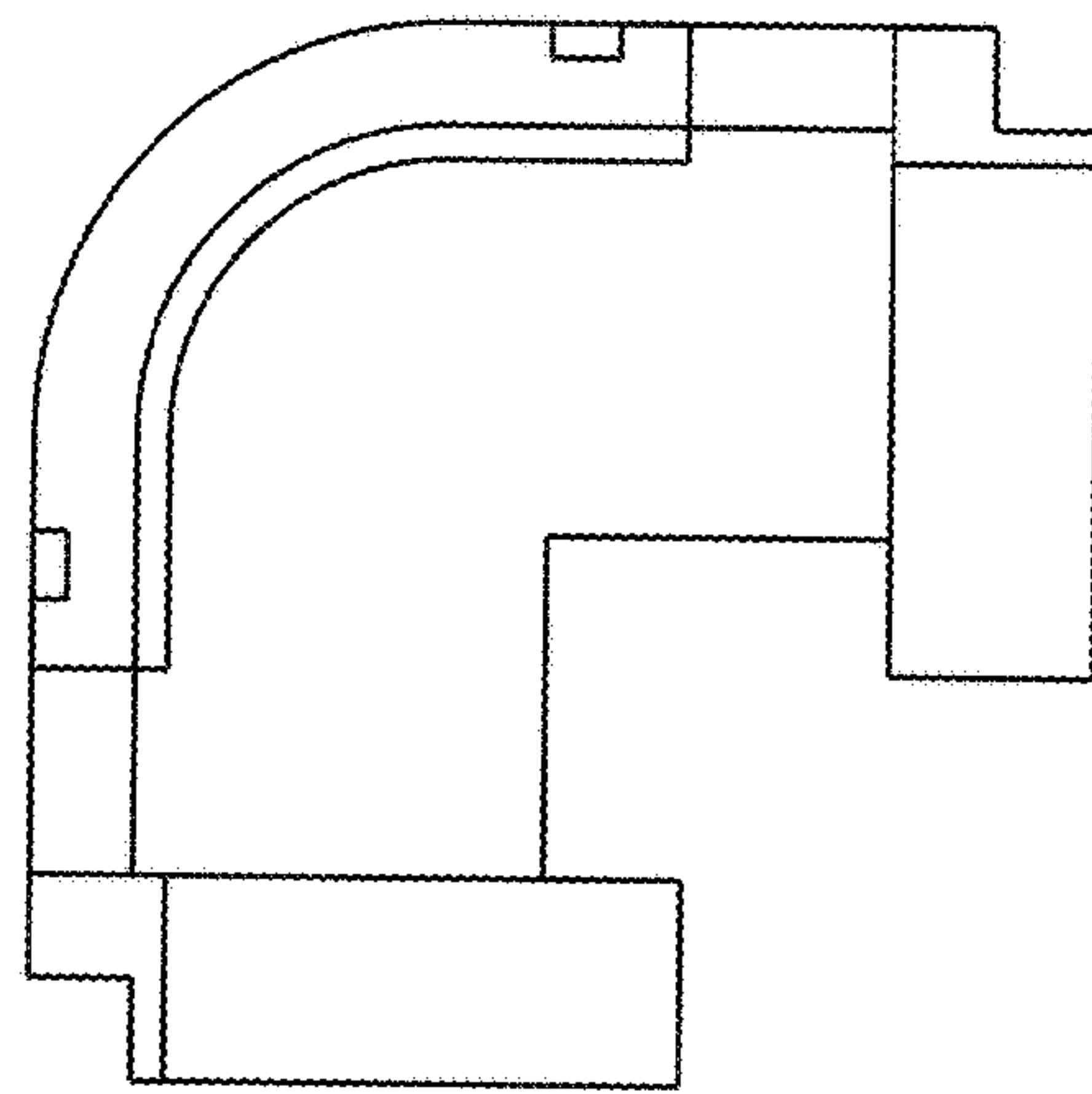


FIG. 6

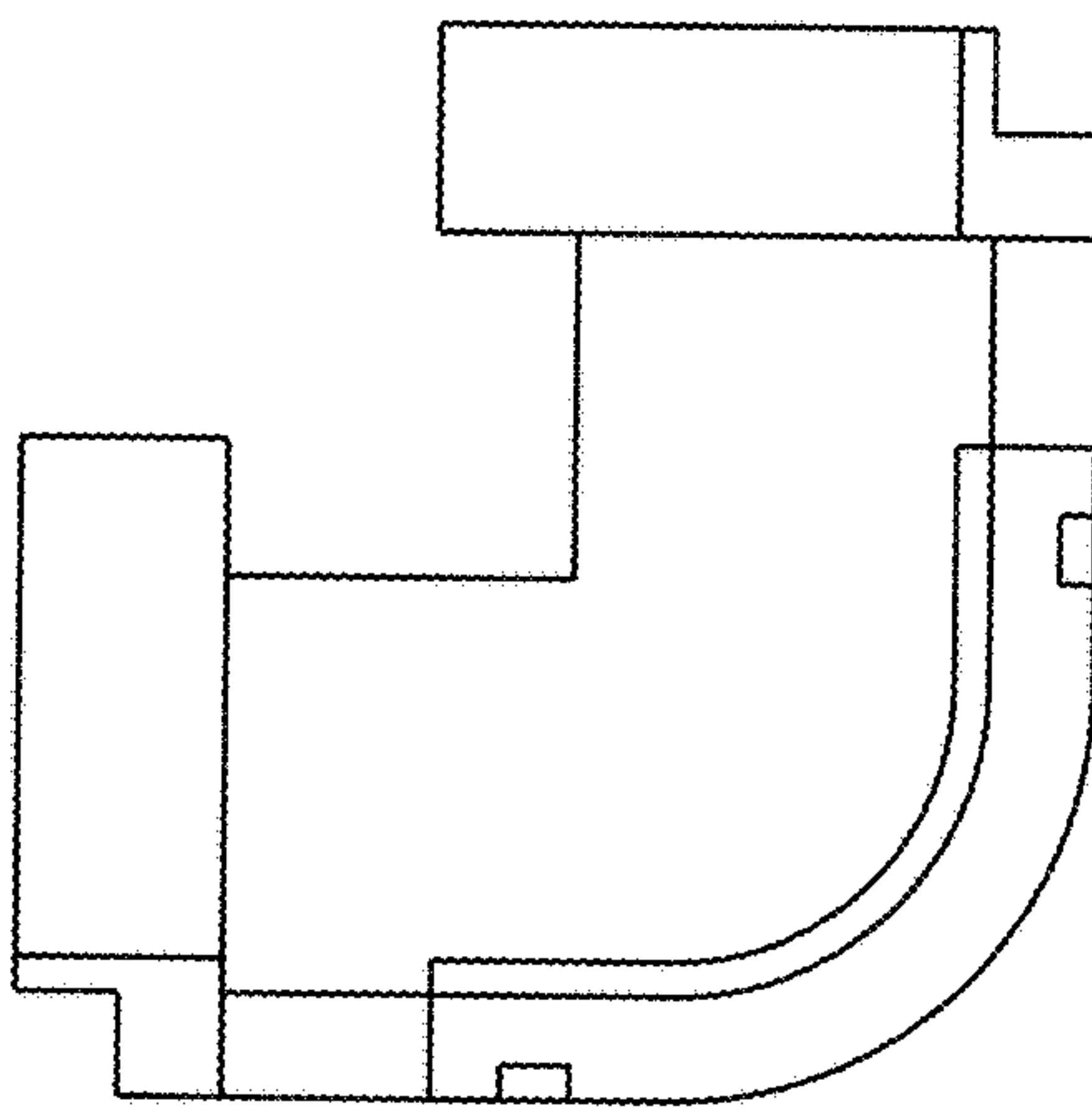


FIG. 7