



US00D829366S

(12) **United States Design Patent** (10) **Patent No.:** **US D829,366 S**
Momin (45) **Date of Patent:** **** Sep. 25, 2018**

(54) **LIGHT FIXTURE**

FOREIGN PATENT DOCUMENTS

(71) Applicant: **ABL IP Holding LLC**, Decatur, GA (US)

CA 33930 3/1971

(72) Inventor: **Mohamed Momin**, Scottsdale, GA (US)

OTHER PUBLICATIONS

(73) Assignee: **ABL IP Holding LLC**, Atlanta, GA (US)

“4” Square Slim Recessed LED Neutral White 11W (LY4S/30K),” www.lotusLEDlights.com, 2 pages (available at least on Jan. 9, 2017).

(**) Term: **15 Years**

(Continued)

(21) Appl. No.: **29/599,248**

Primary Examiner — Brian N Vinson

(22) Filed: **Mar. 31, 2017**

(74) *Attorney, Agent, or Firm* — Kilpatrick Townsend & Stockton LLP

(51) **LOC (11) Cl.** **26-99**

(52) **U.S. Cl.**

USPC **D26/120**

(58) **Field of Classification Search**

USPC ... D26/1, 11, 24, 26, 37, 38, 39, 67, 73, 74, D26/85, 89, 93, 96, 104, 120, 126, 138, D26/139, 140, 141, 142, 151, 152
CPC F21V 29/2262; F21V 7/06; F21V 21/044; F21V 21/047; F21V 29/2212; F21V 29/2225; F21V 29/2256; F21V 29/2268; F21Y 211/002; F21S 8/02; F21S 8/026
See application file for complete search history.

(57) **CLAIM**

The ornamental design for a light fixture, as shown and described.

DESCRIPTION

FIG. 1 is a bottom perspective view of a light fixture showing my new design, which includes a central portion surrounded by a perimeter portion and recessed with respect to the perimeter portion;
FIG. 2 is a top perspective view thereof;
FIG. 3 is a right side elevation view thereof;
FIG. 4 is a left side elevation view thereof;
FIG. 5 is a front elevation view thereof;
FIG. 6 is a back elevation view thereof;
FIG. 7 is a top plan view thereof;
FIG. 8 is a bottom plan view thereof;
FIG. 9 is an enlarged detail thereof, taken where indicated in FIG. 1;
FIG. 10 is a vertical cross-sectional view thereof, taken along line 10-10 of FIG. 2; and,
FIG. 11 is an enlarged detail thereof, taken where indicated in FIG. 10.
The broken line disclosure represents portions of the fixture which form no part of the claimed design.

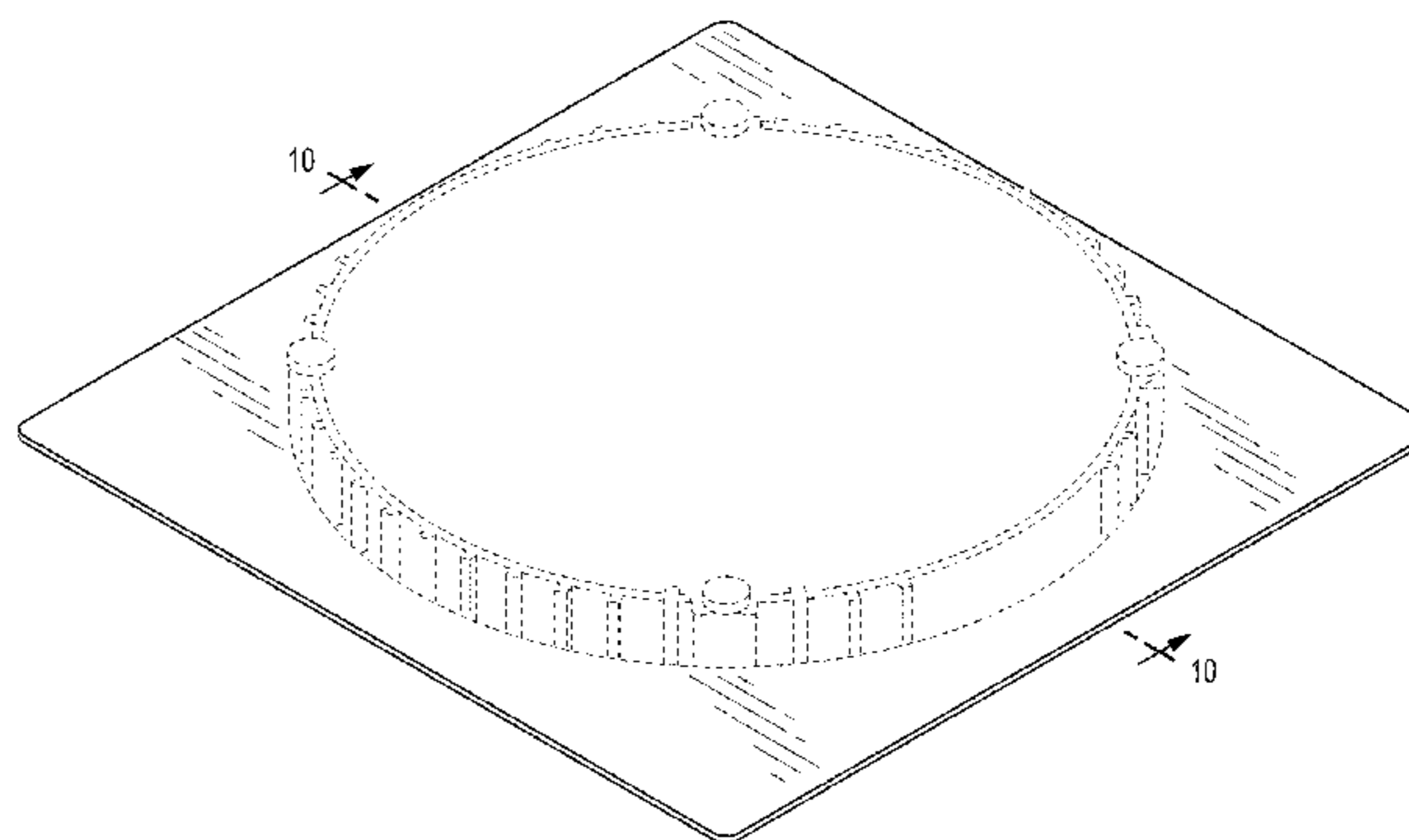
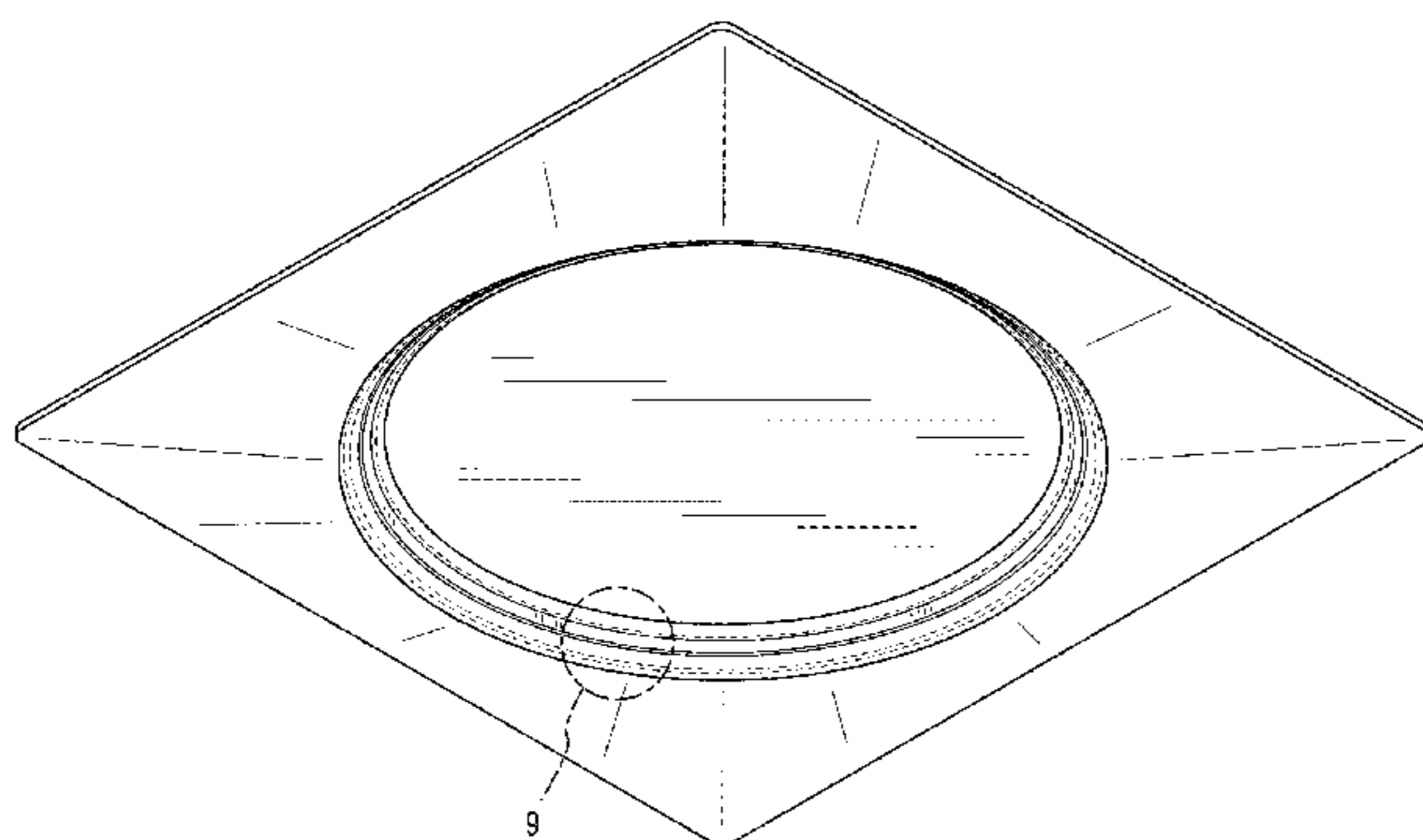
(56) **References Cited**

U.S. PATENT DOCUMENTS

D453,521 S	2/2002	Haruna et al.	
7,063,441 B2	6/2006	Kramer et al.	
D581,089 S	11/2008	St-Hilaire	
D583,981 S	12/2008	Meyer et al.	
D601,744 S	10/2009	Sakuma	
D622,876 S *	8/2010	Takahashi	D26/1
D628,737 S *	12/2010	van den Akker	D26/89
D639,496 S	6/2011	Wada et al.	
D641,520 S	7/2011	Grajcar	
D650,760 S *	12/2011	Hussell	D13/180
D655,849 S	3/2012	Sabernig	
D656,264 S	3/2012	Janssen	

(Continued)

1 Claim, 8 Drawing Sheets



(56)

References Cited

U.S. PATENT DOCUMENTS

D658,603 S	*	5/2012	Egawa	D26/1
D658,604 S		5/2012	Egawa et al.	
D663,880 S		7/2012	Janssen	
D663,881 S	*	7/2012	Janssen	D26/74
D667,985 S		9/2012	Gielen	
D681,867 S		5/2013	Wegger et al.	
D767,808 S		9/2016	Lehman	
D770,075 S		10/2016	Huang et al.	
D779,101 S		2/2017	Redfern	
D799,101 S		10/2017	Amato et al.	
D805,674 S		12/2017	Salomon	

OTHER PUBLICATIONS

“4” Square Slim Recessed LED Soft White 11W (LY4S/41K),”
www.lotusLEDlights.com, 2 pages (available at least on Jan. 9,
2017).
Lotus LED Lights, “6” Square Slim Recessed LED Soft White 14W
(LY6S/41K), 2 pages (available at least on Jan. 9, 2017).
Lotus LED Lights, “6” Square Slim Recessed LED Neutral White
14W (LY6S/41K), 2 pages (available at least on Jan. 9, 2017).
“LED Lighting Catalog,” Nicor Shine Brighter vol. 3, 2016, 128
pages.
Topaz, “LED Retrofit,” 10 Watt LED Retrofit Module with 4” White
Square Baffle Trim, www.topaz-usa.com, 2009, 4 pages.

“PR15 Ultra-Thin LED,” LED Waves Inc, All Rights Reserved
V5-2-17 www.ledwaves.com, p: 212.677.6400, 2016, 2 pages.
“PR15 Ultra-thin LED Recessed Light Installation Guide,” LED
Waves, Inc All Rights Reserved. V5-4-17 <www.ledwaves.com >,
2017, 7 pages.
“Topaz,” Solid State Lighting LED Retrofit Lamps & Fixtures,
2016, 32 pages.
Recessed LED Lighting, “Designer Series Square LED Panel,”
Stocking Guide, 2017, pp. 66-67.
Examiner’s Report for Canadian Design Application No. 174580,
dated Dec. 11, 2017, 1 page.
Examiner’s Report for Canadian Design Application No. 174581,
dated Dec. 11, 2017, 1 page.
Non-Final Office Action for U.S. Appl. No. 29/599,203, dated Jan.
16, 2018, 15 pages.
Non-Final Office Action for U.S. Appl. No. 29/599,213, dated Jan.
16, 2018, 15 pages.
Non-Final Office Action for U.S. Appl. No. 29/599,226, dated Jan.
16, 2018, 15 pages.
Non-Final Office Action for U.S. Appl. No. 29/599,232, dated Jan.
16, 2018, 15 pages.
Non-Final Office Action for U.S. Appl. No. 29/599,238, dated Jan.
16, 2018, 15 pages.
Non-Final Office Action for U.S. Appl. No. 29/599,245, dated Jan.
16, 2018, 15 pages.
Non-Final Office Action for U.S. Appl. No. 29/599,252, dated Jan.
16, 2018, 15 pages.

* cited by examiner

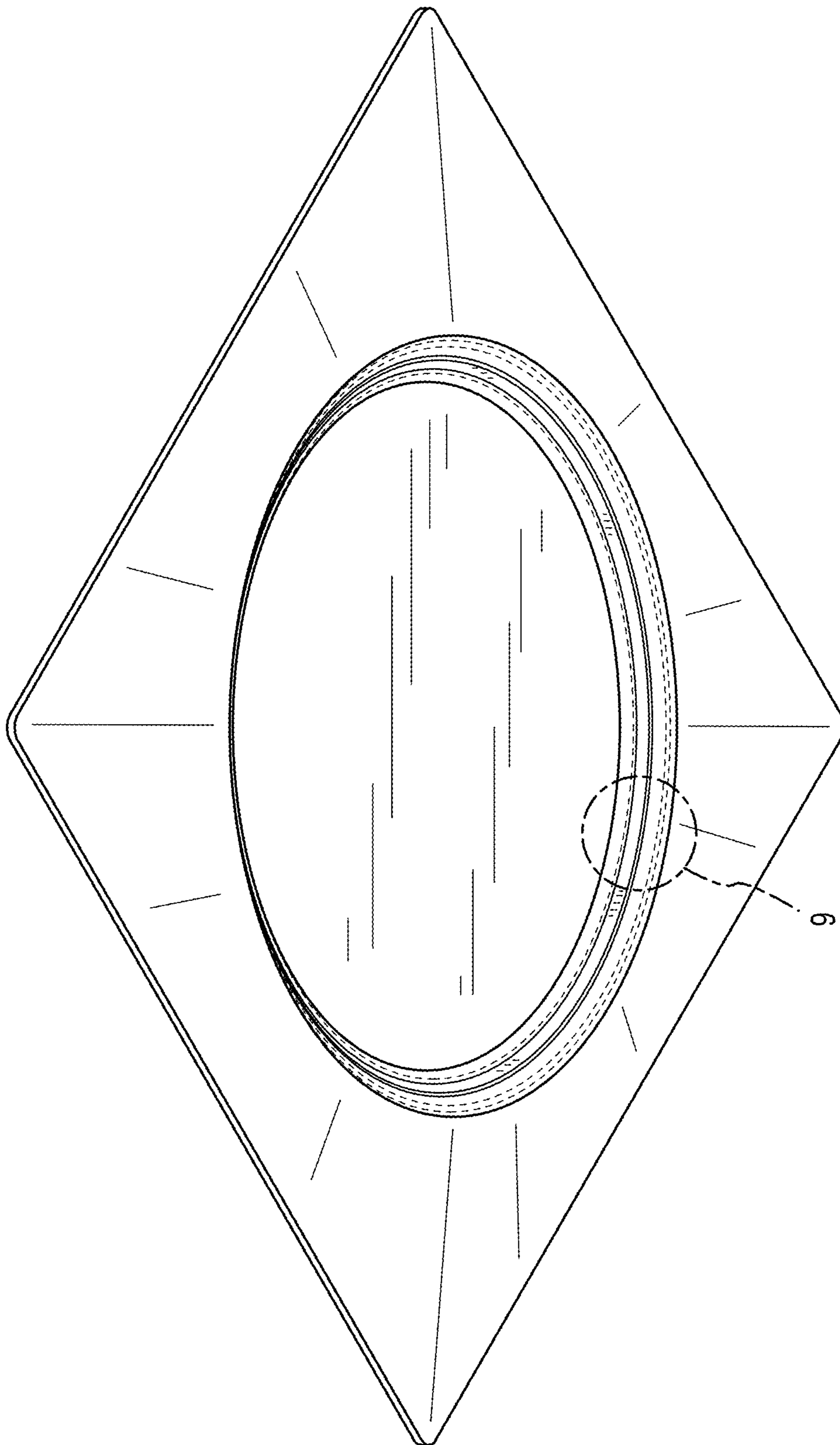


FIG.1

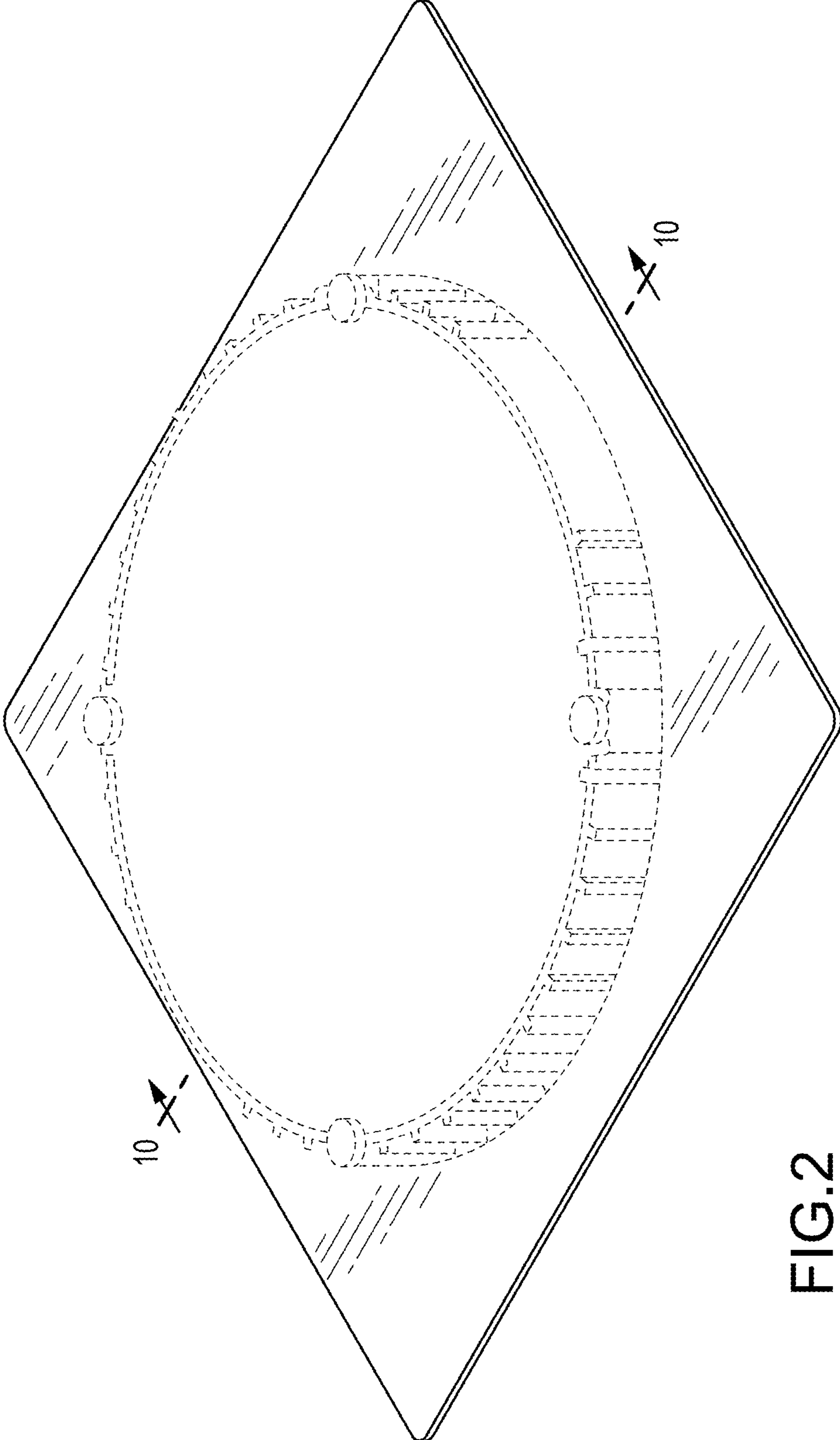


FIG.2

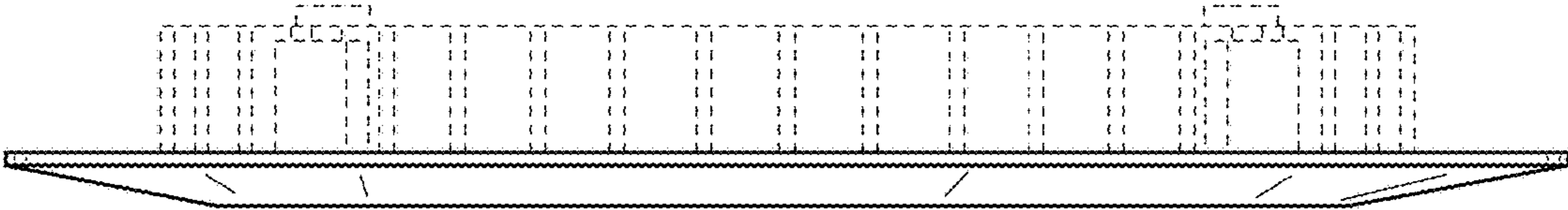


FIG.3

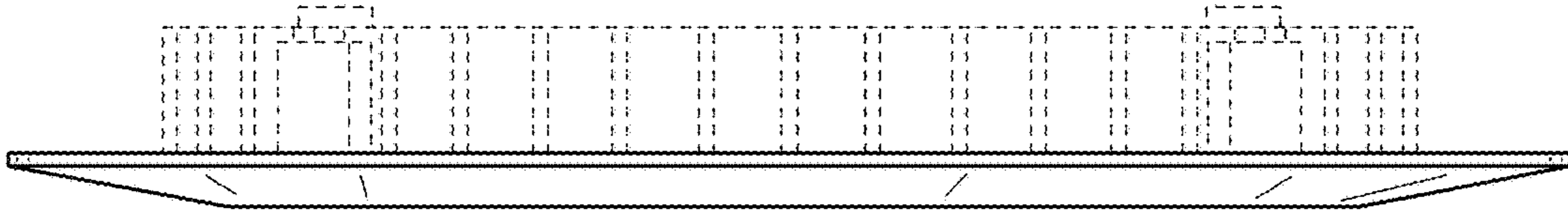


FIG.4

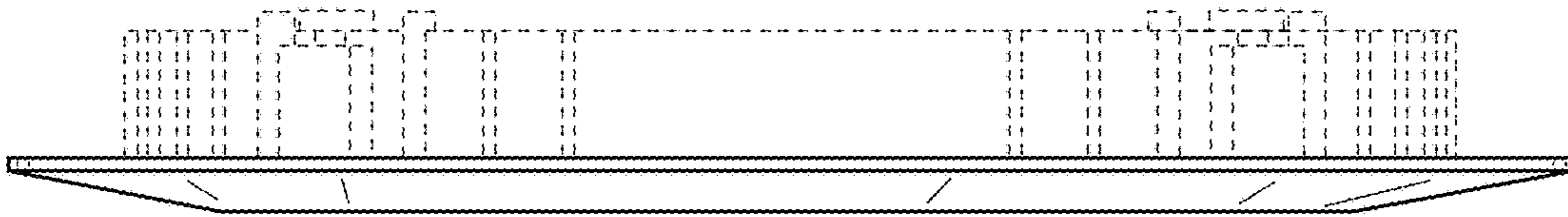


FIG. 5

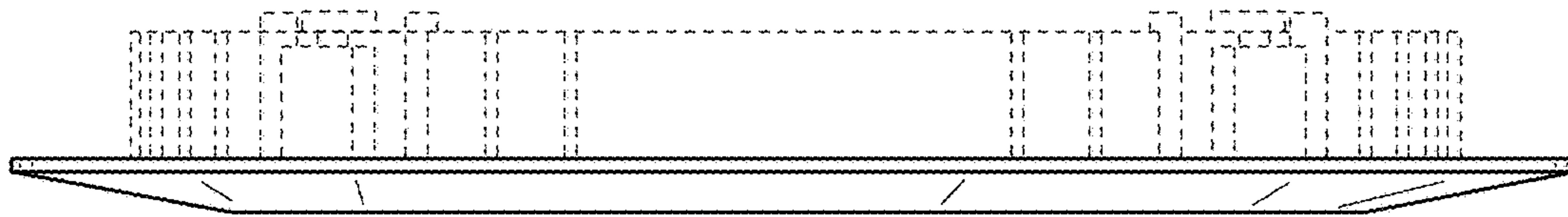


FIG. 6

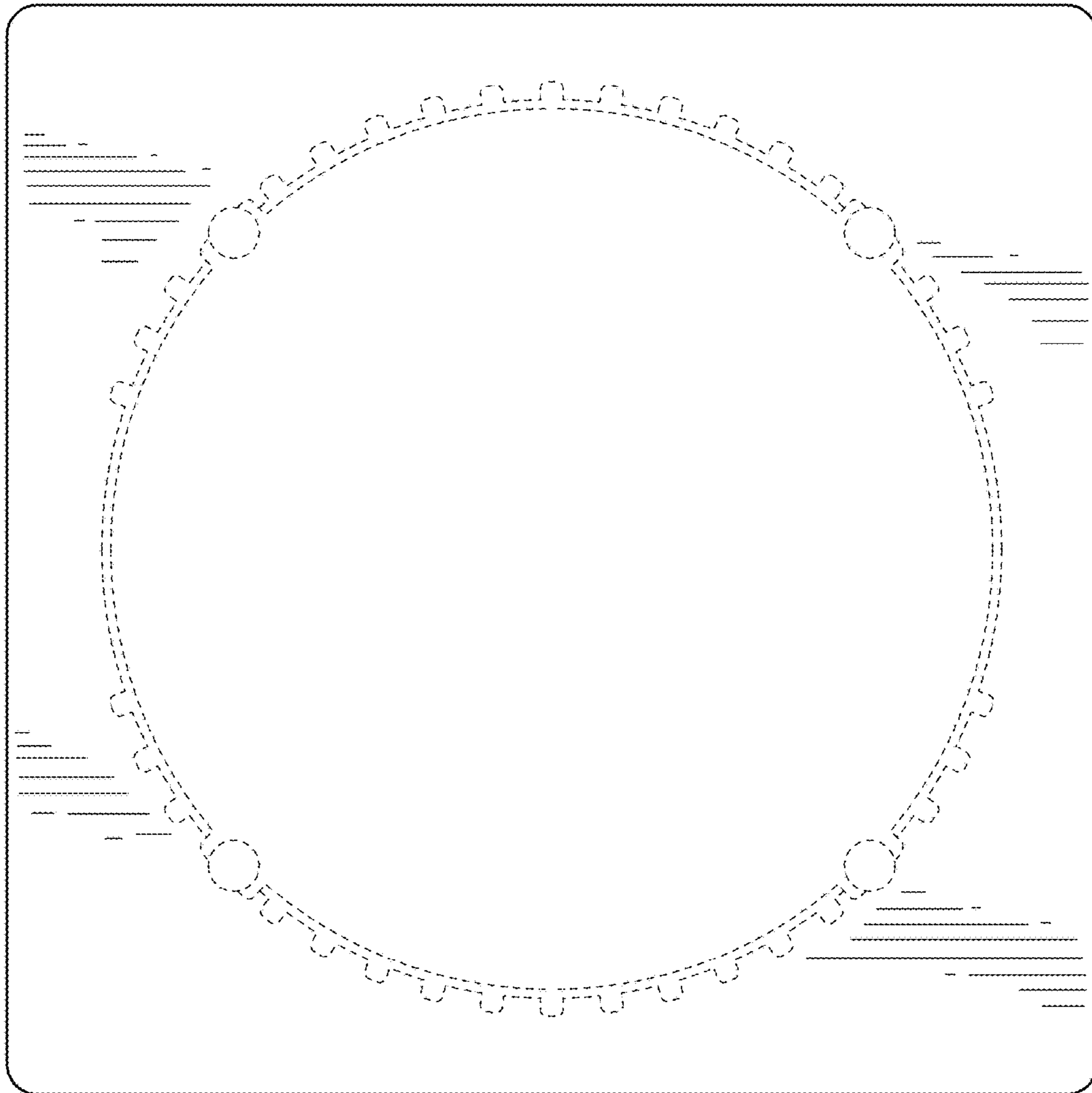


FIG. 7

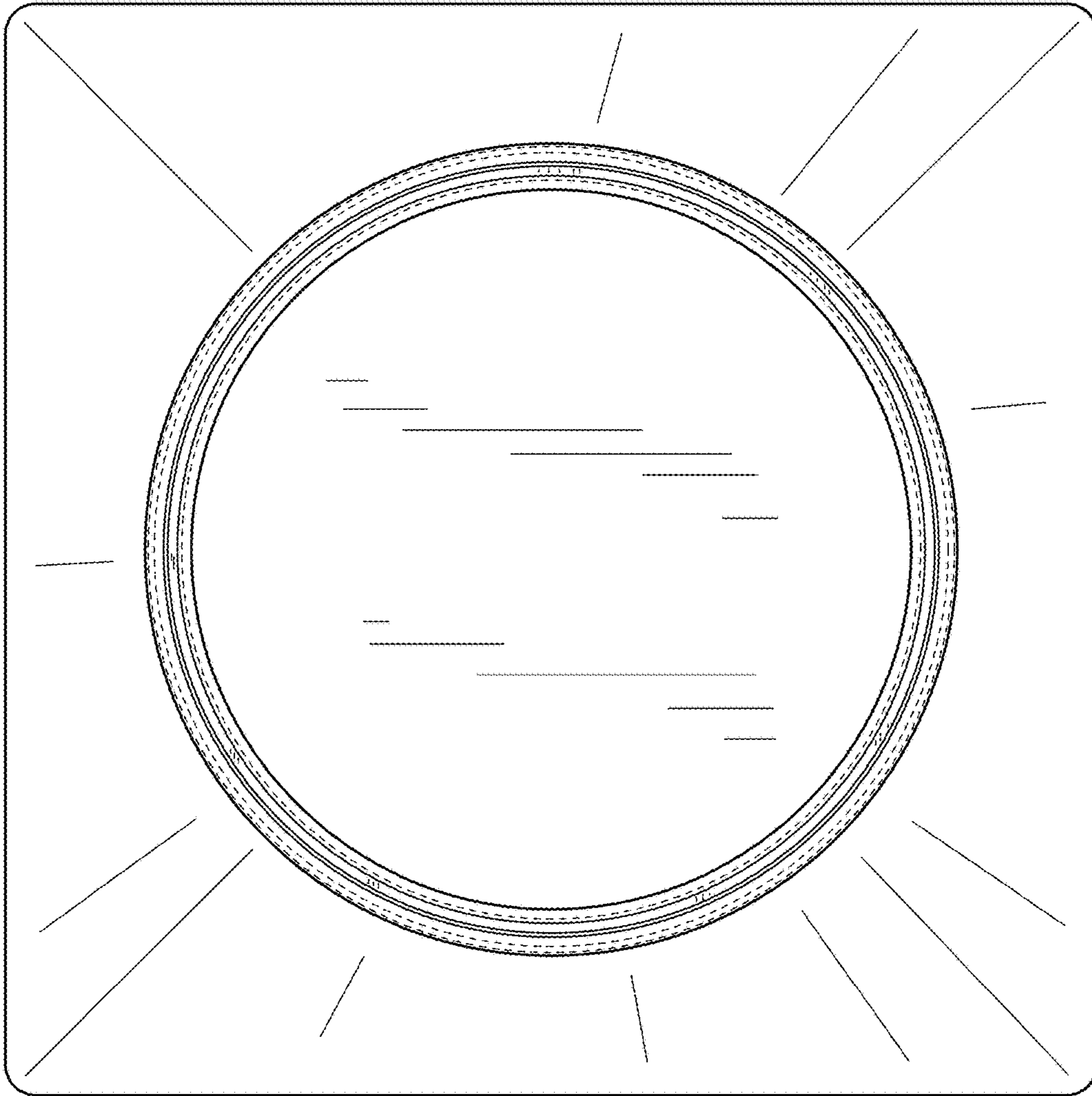


FIG.8

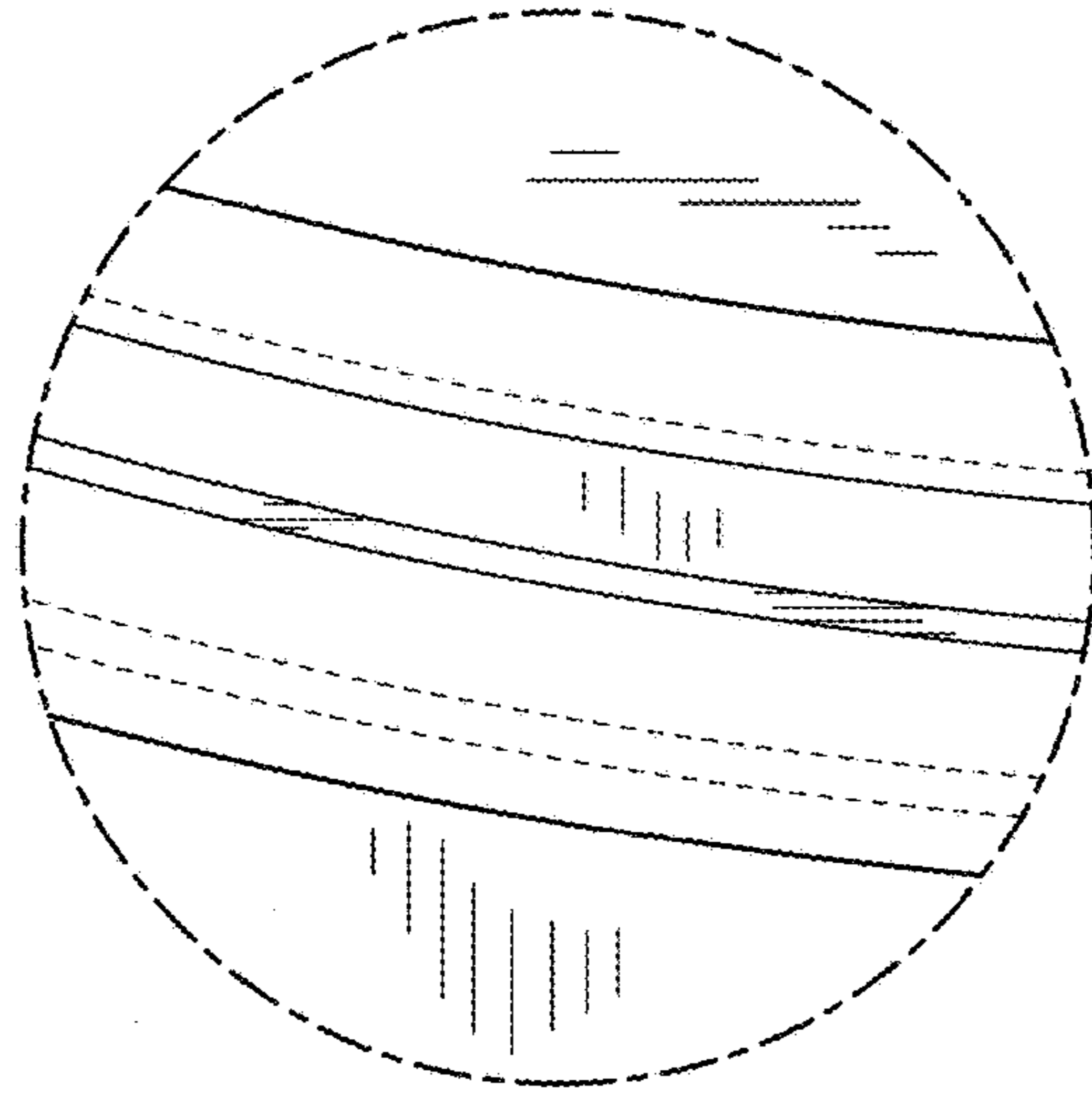


FIG. 9

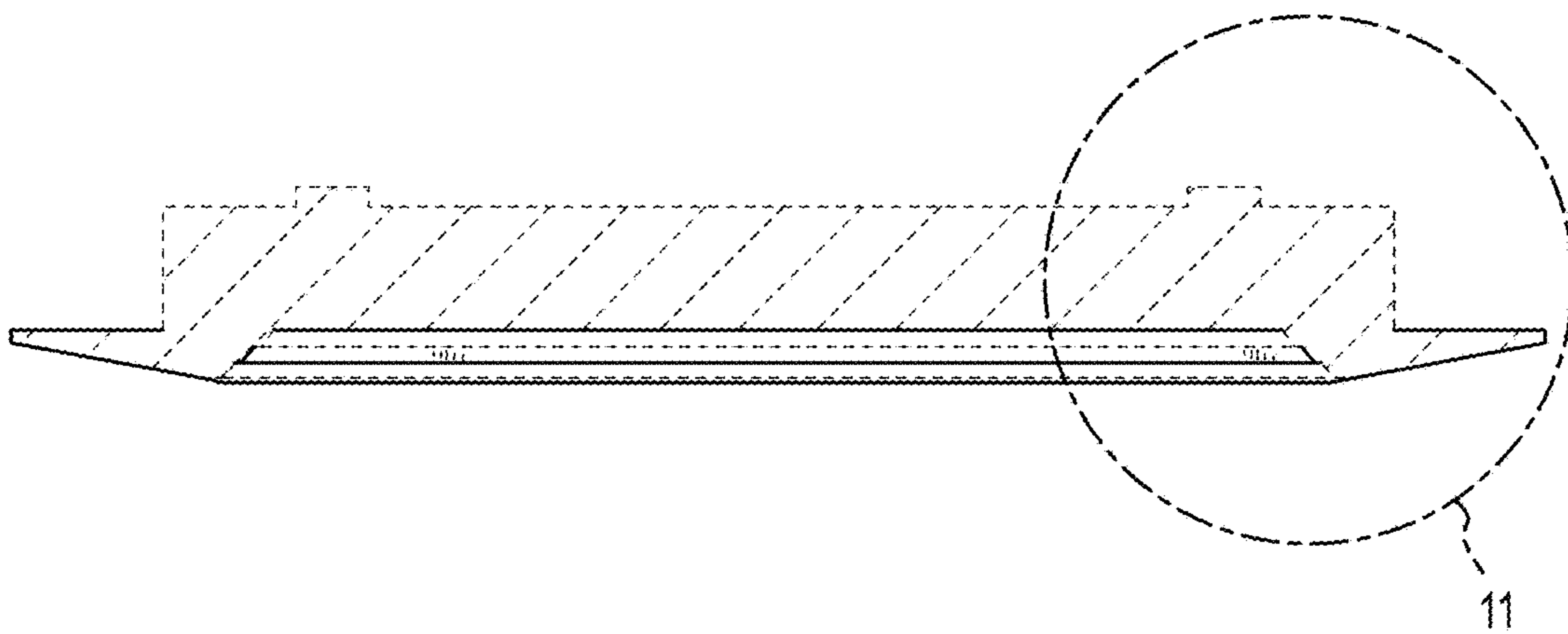


FIG. 10

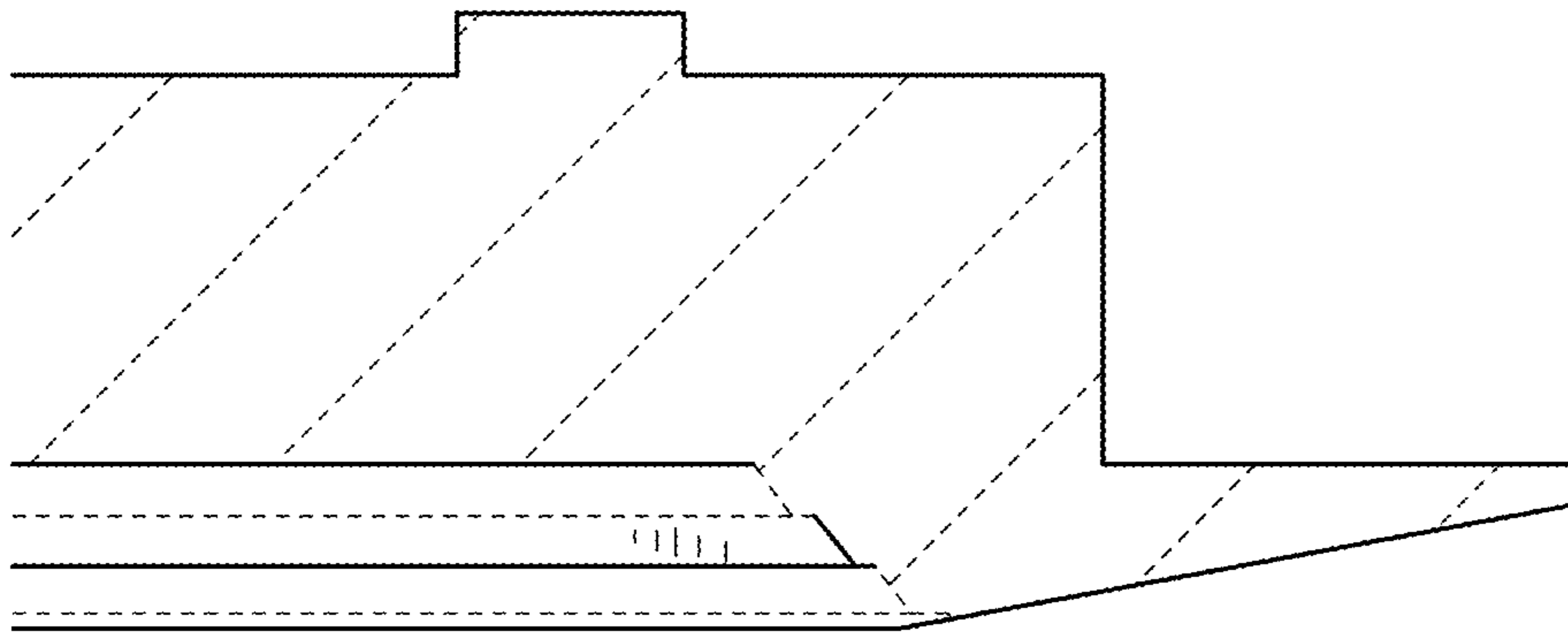


FIG.11