



US00D829363S

(12) **United States Design Patent**
Lan

(10) **Patent No.:** **US D829,363 S**

(45) **Date of Patent:** **** Sep. 25, 2018**

(54) **LED LIGHT**

D400,278 S * 10/1998 Binsukor D26/67
D653,795 S * 2/2012 Guercio D26/119

(71) Applicant: **Shenzhen Guanke Technologies Co., Ltd.**, Shenzhen (CN)

* cited by examiner

(72) Inventor: **Qing Lan**, Shenzhen (CN)

Primary Examiner — Marcus Jackson

(73) Assignee: **Shenzhen Guanke Technologies Co., Ltd.**, Shenzhen (CN)

(57) **CLAIM**

(**) Term: **15 Years**

The ornamental design for an LED light, as shown and described.

(21) Appl. No.: **29/618,363**

DESCRIPTION

(22) Filed: **Sep. 20, 2017**

(51) **LOC (11) Cl.** **26-99**

(52) **U.S. Cl.**
USPC **D26/119**

(58) **Field of Classification Search**
USPC D26/1-4, 119; 313/313, 315, 316, 317,
313/318, 493; 315/52, 53, 56, 57, 58
CPC .. F21S 8/04; F21V 15/02; F21V 21/03; F21V
29/20; F21V 29/2212
See application file for complete search history.

FIG. 1 is a perspective view of the LED light showing my new design in a first state;
FIG. 2 is similar to FIG. 1, viewed from another aspect;
FIG. 3 is a front elevational view thereof;
FIG. 4 is a rear elevational view thereof;
FIG. 5 is a left side elevational view thereof;
FIG. 6 is a right side elevational view thereof;
FIG. 7 is a top plan view thereof;
FIG. 8 is a bottom plan view thereof; and,
FIG. 9 is a perspective view of the LED light in a second state.

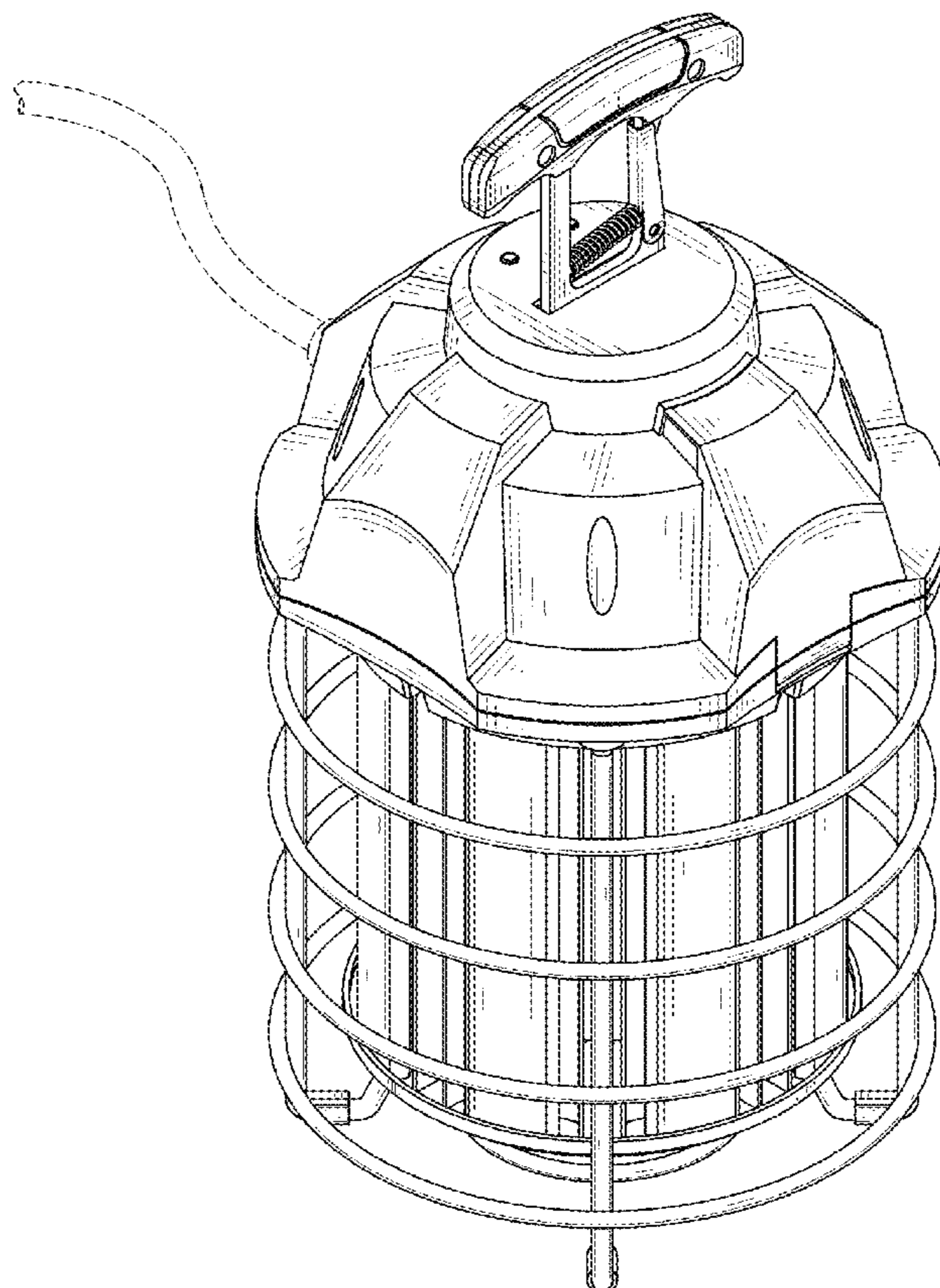
The broken lines are for the purposes of illustrating portions of the LED light and form no part of the claimed design.

(56) **References Cited**

U.S. PATENT DOCUMENTS

D359,139 S * 6/1995 Kaczmarek D26/119

1 Claim, 9 Drawing Sheets



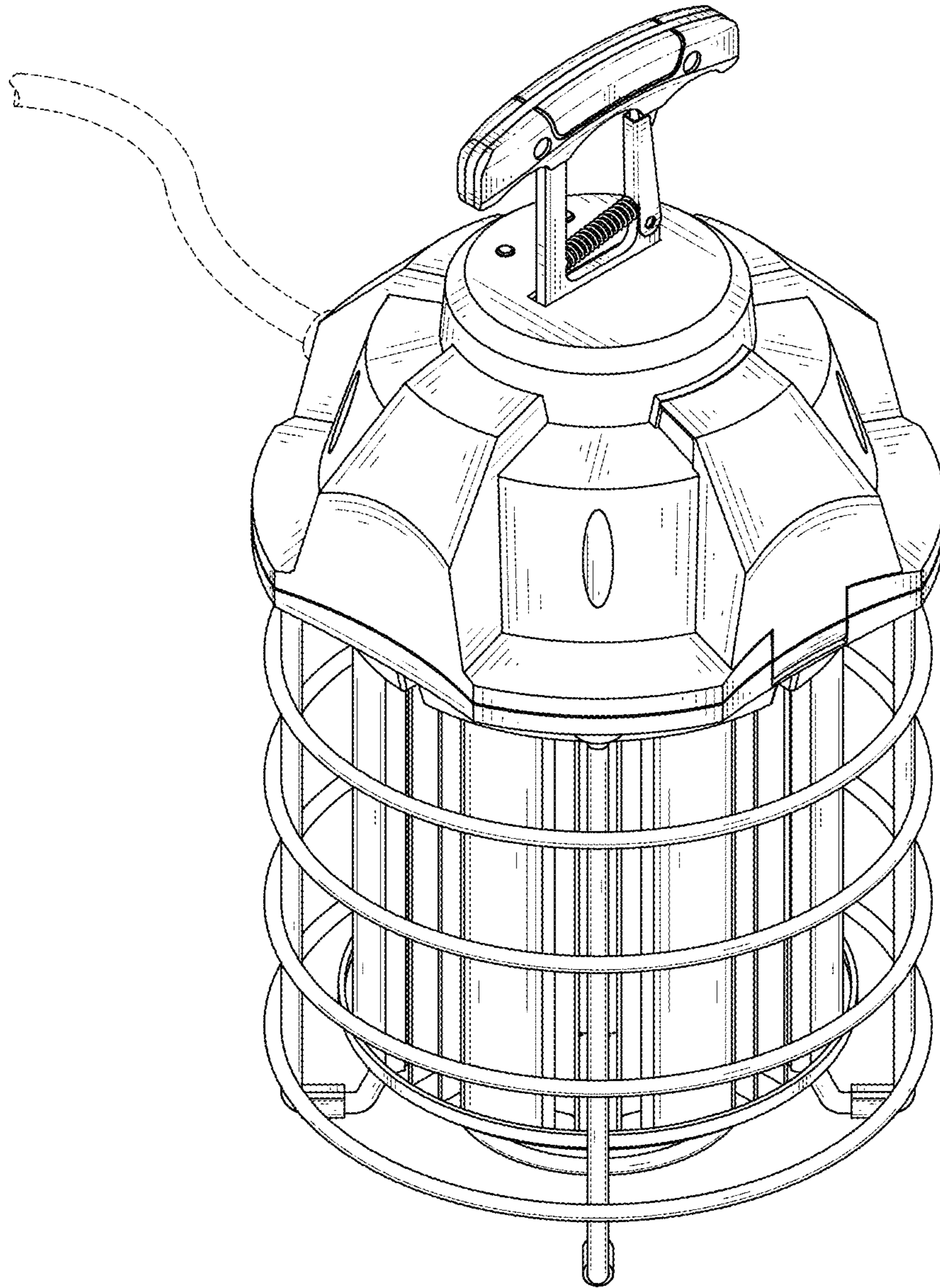


FIG. 1

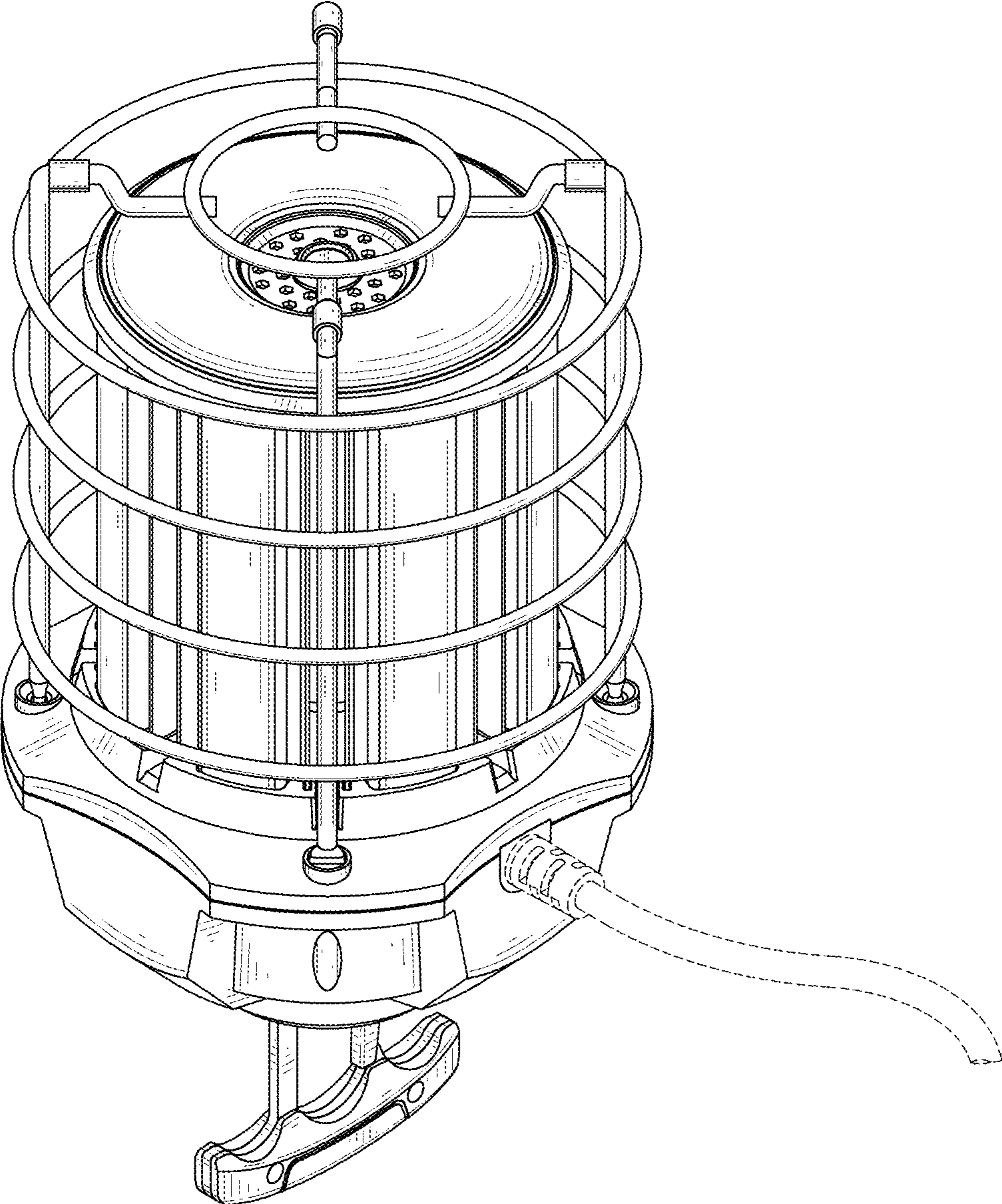


FIG. 2

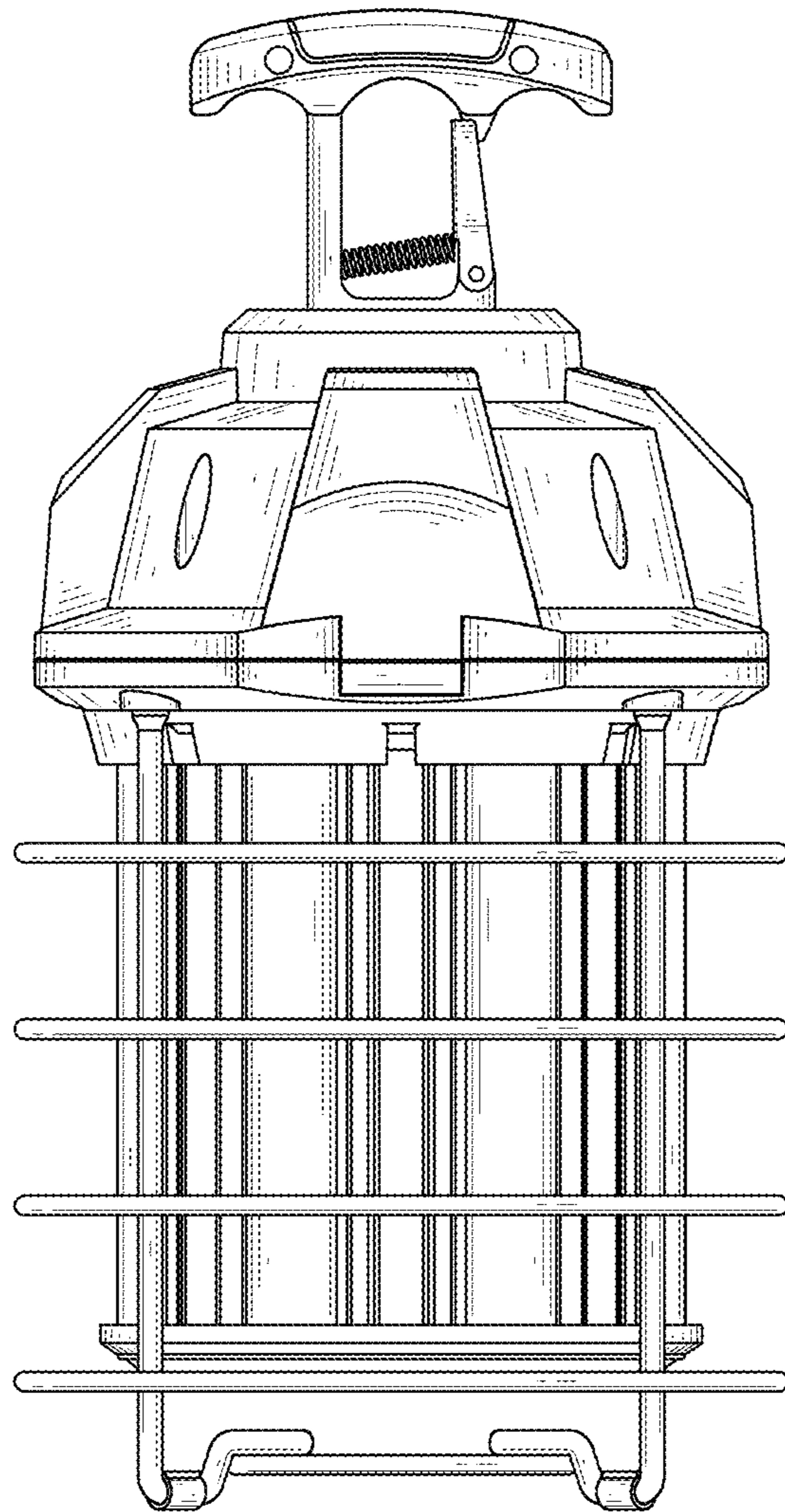


FIG. 3

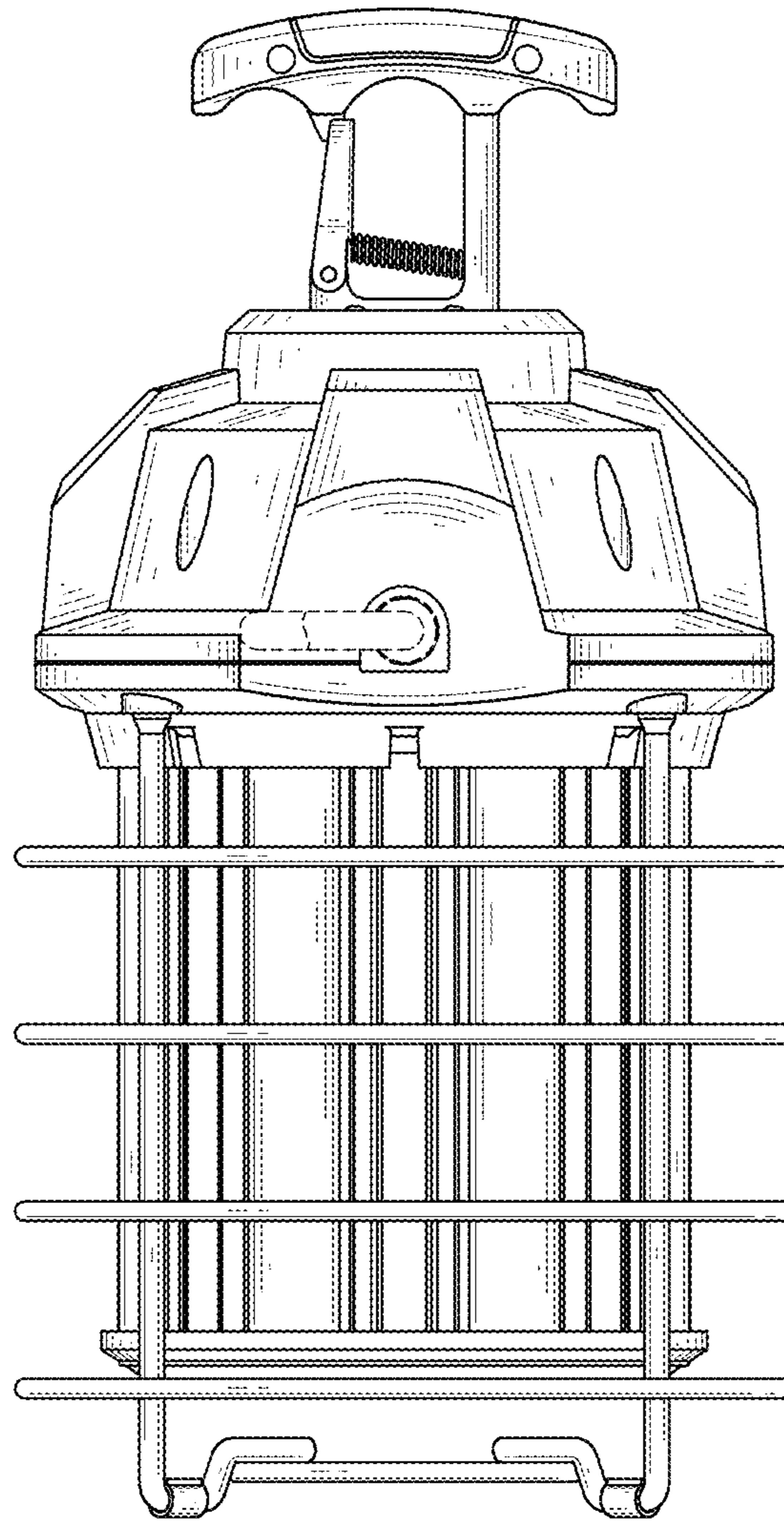


FIG. 4

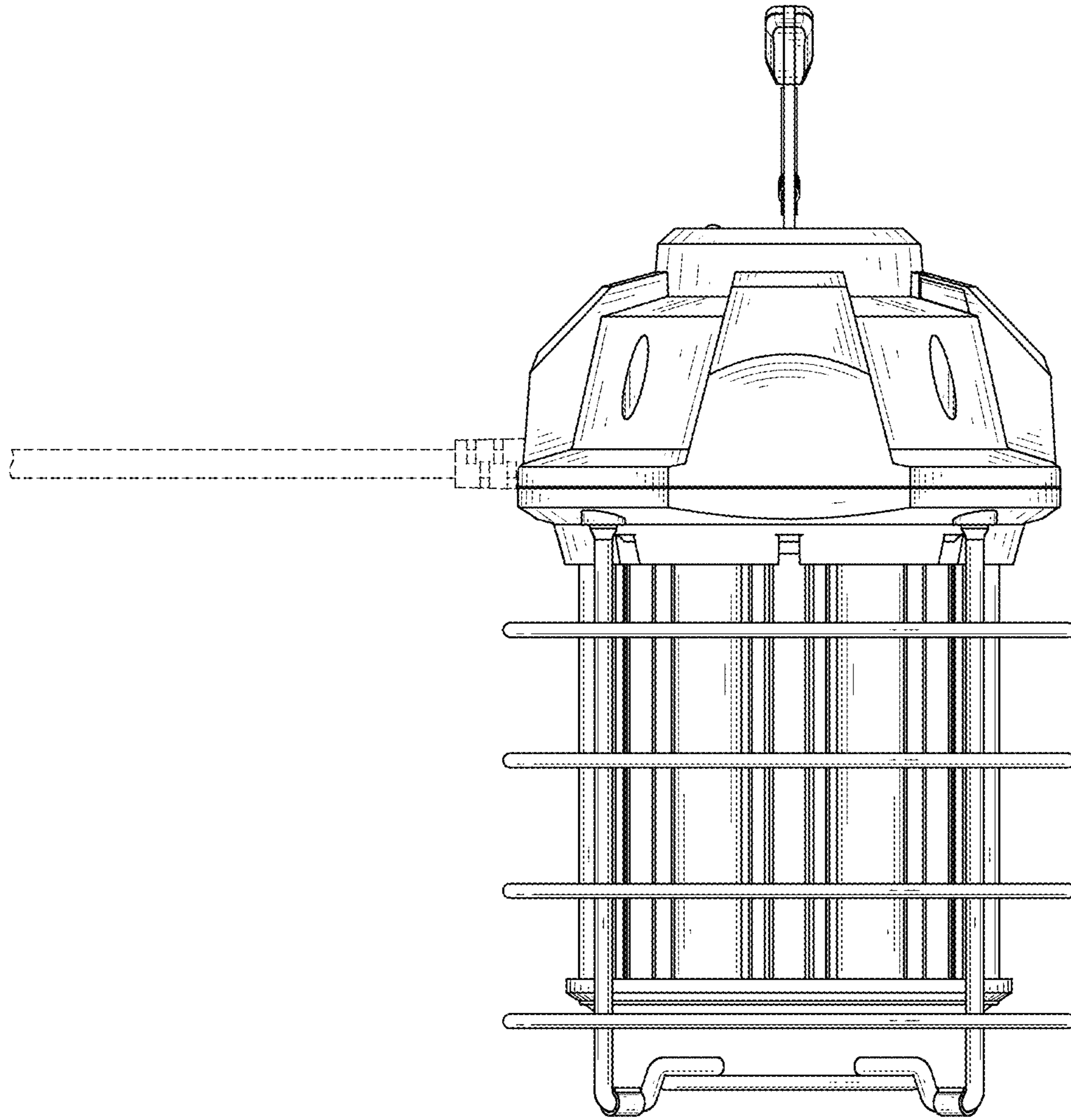


FIG. 5

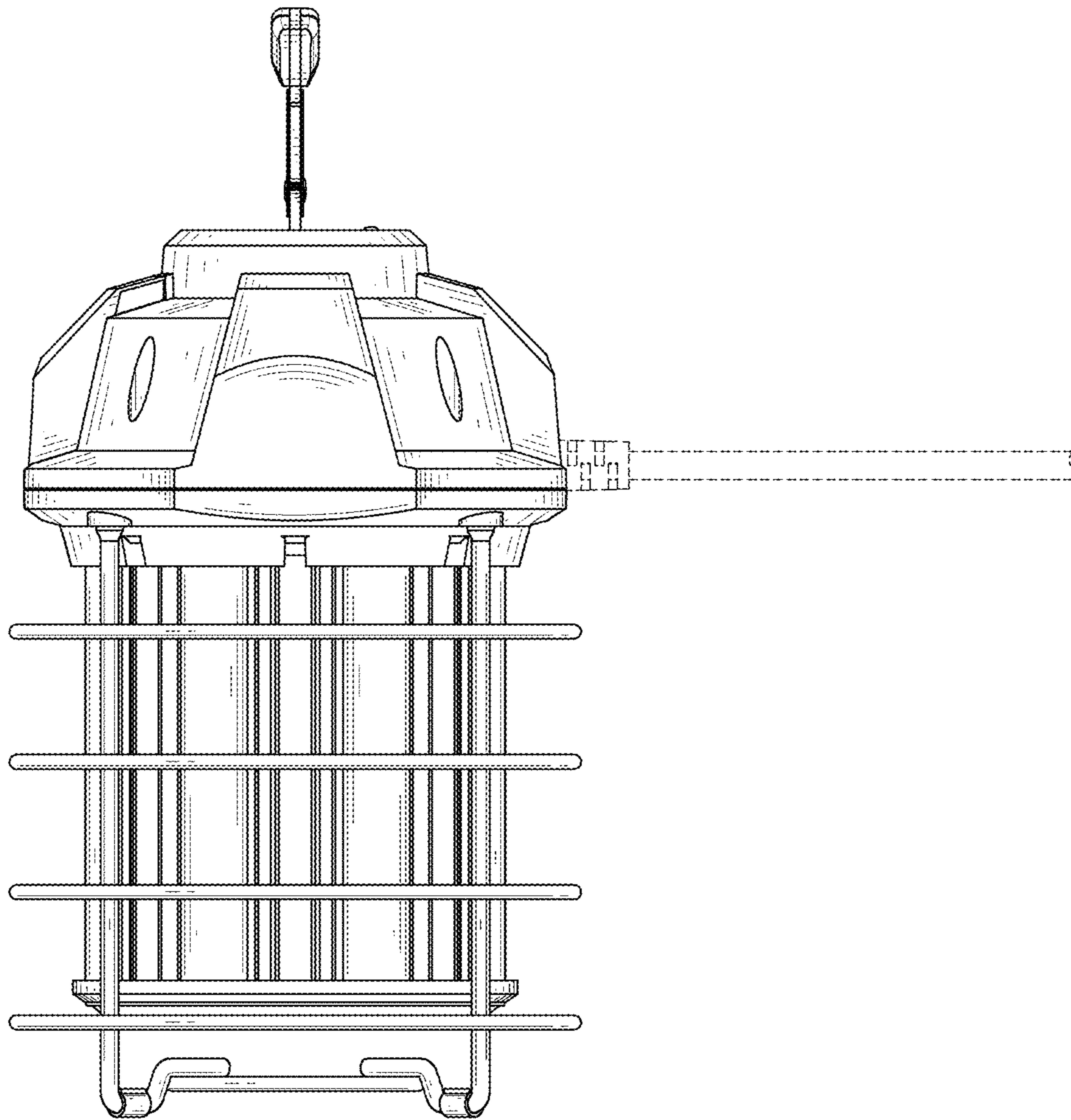


FIG. 6

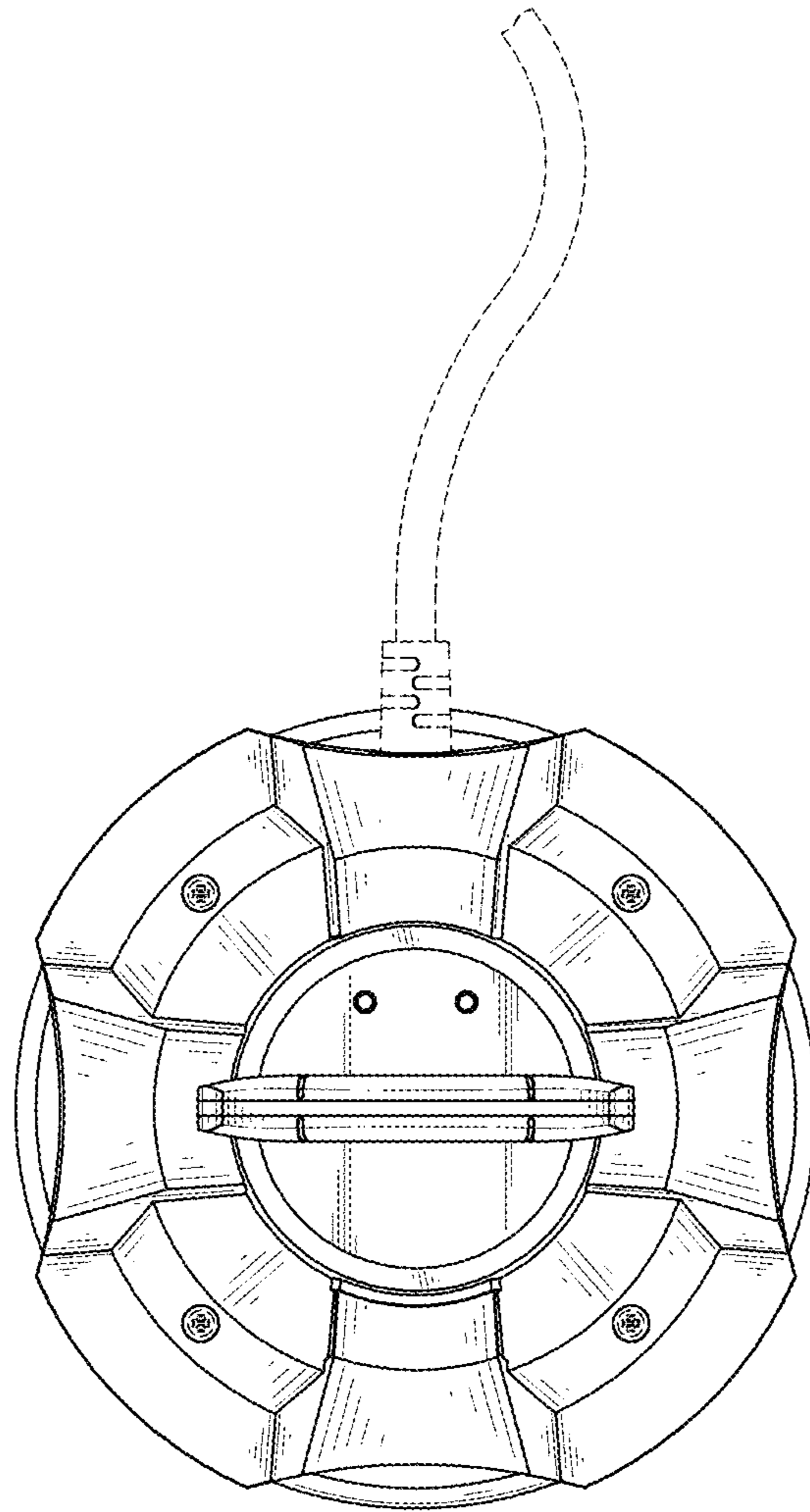


FIG. 7

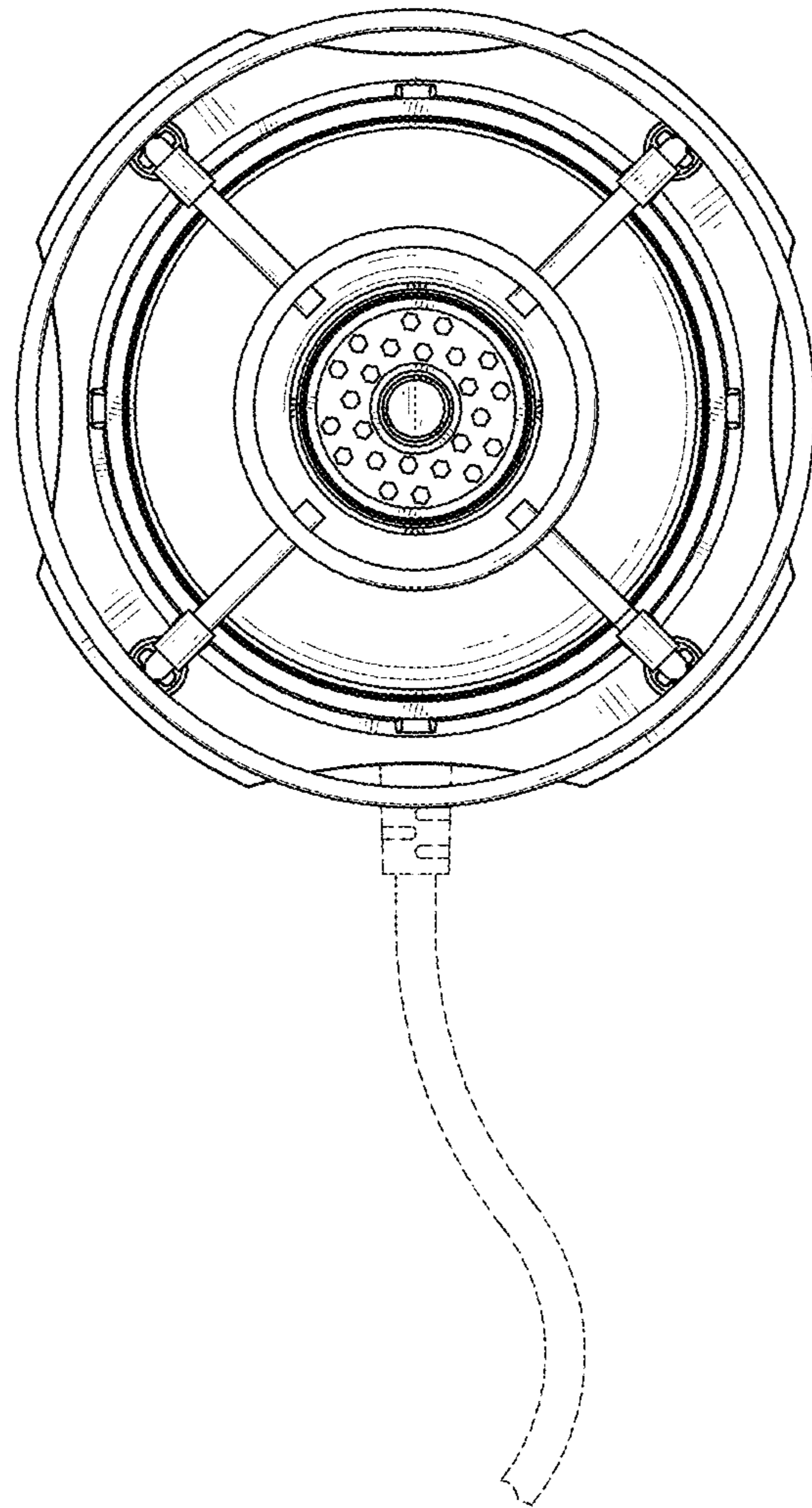


FIG. 8

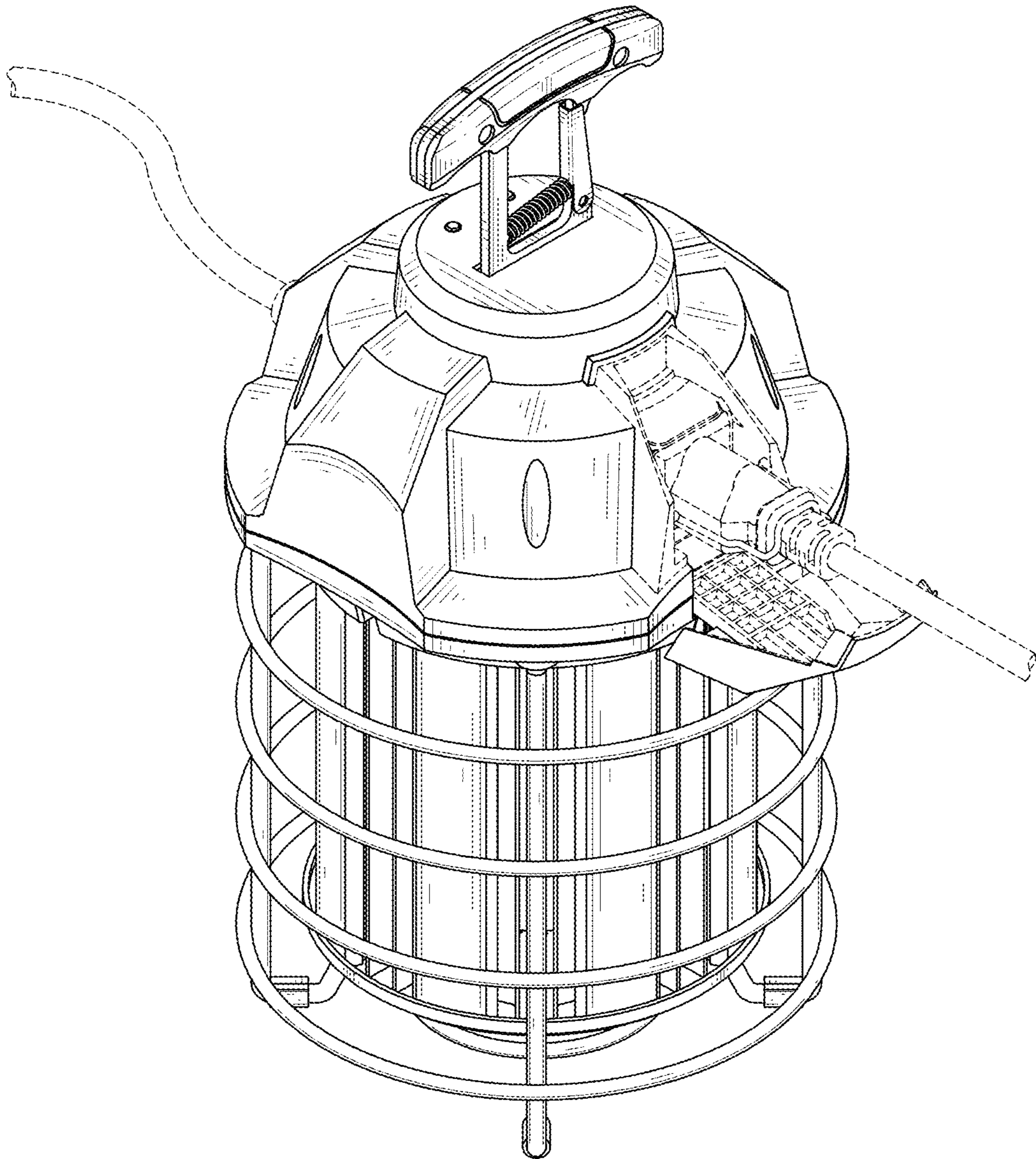


FIG. 9