



US00D829361S

(12) **United States Design Patent**  
**Deng**

(10) **Patent No.:** **US D829,361 S**

(45) **Date of Patent:** **\*\* Sep. 25, 2018**

(54) **FRESH FOOD LIGHT**

(71) Applicant: **Dongguan Pan American Electronics Co., Ltd.**, DongGuan, GuangDong (CN)

(72) Inventor: **Jinsheng Deng**, DongGuan (CN)

(73) Assignee: **DONGGUAN PAN AMERICAN ELECTRONICS CO., LTD**, Dongguan (CN)

(\*\*) Term: **15 Years**

(21) Appl. No.: **29/614,893**

(22) Filed: **Aug. 24, 2017**

(30) **Foreign Application Priority Data**

Jun. 2, 2017 (CN) ..... 2017 3 0220107

(51) **LOC (11) Cl.** ..... **26-03**

(52) **U.S. Cl.**  
USPC ..... **D26/88**

(58) **Field of Classification Search**  
USPC ..... D26/72, 85, 88, 89  
CPC ..... F21S 8/03; F21S 8/04; F21S 8/043; F21S 8/046; F21S 8/068  
See application file for complete search history.

(56) **References Cited**

**U.S. PATENT DOCUMENTS**

D268,876 S *	5/1983	Leithauser, Jr.	.....	D26/72
D269,639 S *	7/1983	Eargle, Jr.	.....	D26/88
D271,428 S *	11/1983	de Vos	.....	D26/85
D330,947 S *	11/1992	Donato	.....	D26/130
D367,937 S *	3/1996	Dolan	.....	D26/88
D467,677 S *	12/2002	Ries	.....	D26/88
D582,600 S *	12/2008	Guercio	.....	D26/88

D588,298 S *	3/2009	Sabernig	.....	D26/88
D588,299 S *	3/2009	Sabernig	.....	D26/88
D592,792 S *	5/2009	Keller	.....	D26/88
D615,693 S *	5/2010	Thun	.....	D26/88
D759,284 S *	6/2016	De Bevilacqua	.....	D26/104
D803,460 S *	11/2017	Engle	.....	D26/88

**OTHER PUBLICATIONS**

LED Supermarket Lamp for fresh food by EWAY Technology Co., Ltd. (c) 2018. (Year: 2018).\*

Philps Fresh Food Pendant. Product family leaflet, Apr. 26, 2018. (Year: 2018).\*

B2OCLED—LED bulb Fresh Light found at aliexpress.com May 14, 2018. (Year: 2018).\*

\* cited by examiner

*Primary Examiner* — Claire E Heflin

(74) *Attorney, Agent, or Firm* — Ladas & Parry LLP

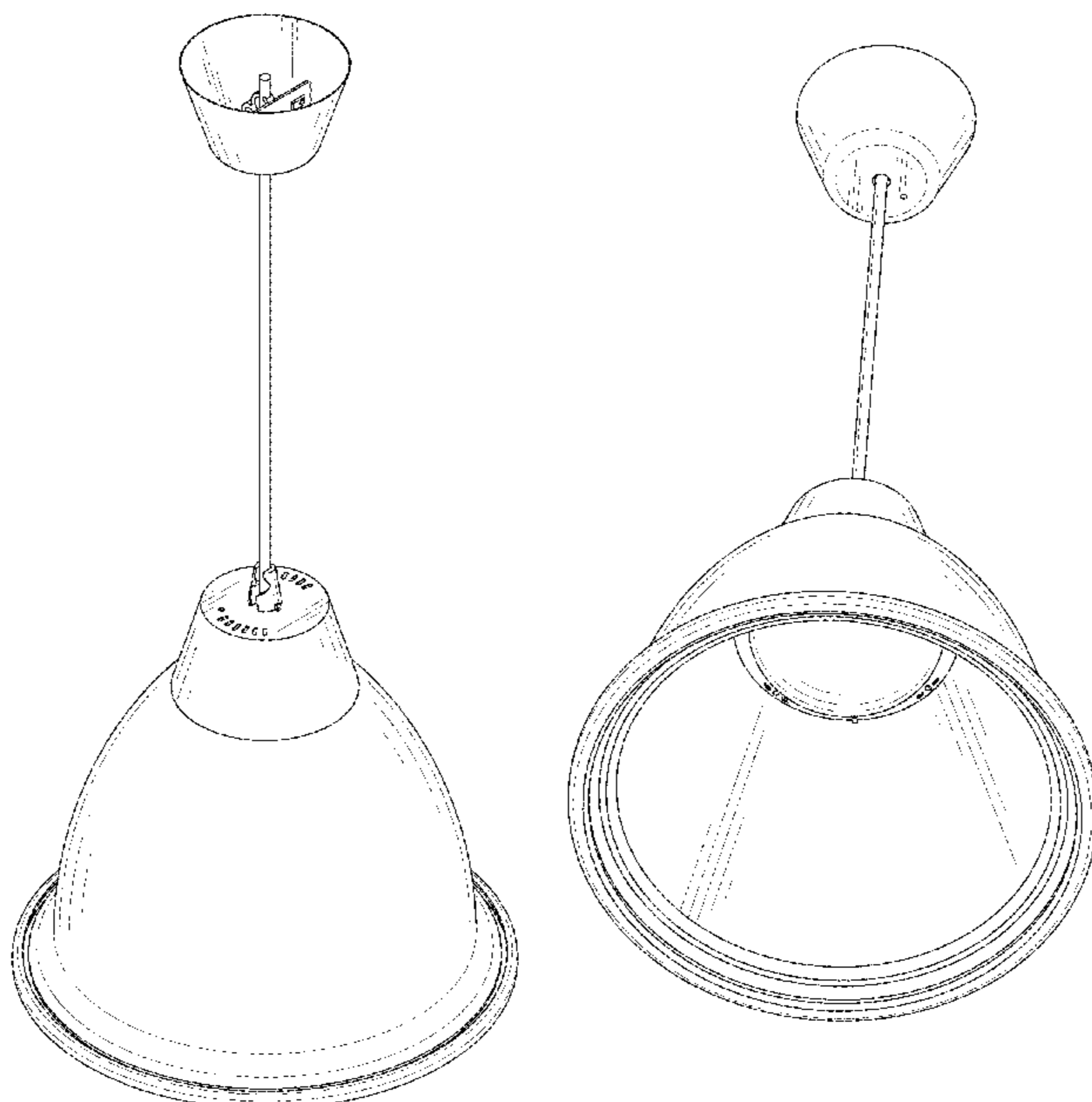
(57) **CLAIM**

The ornamental design for a fresh food light, as shown and described.

**DESCRIPTION**

FIG. 1 is a front, top, right perspective view of a fresh food light showing my new design;  
FIG. 2 is a front, bottom, right perspective view thereof;  
FIG. 3 is a front elevational view thereof;  
FIG. 4 is a rear elevational view thereof;  
FIG. 5 is a left-side elevational view thereof;  
FIG. 6 is a right-side elevational view thereof;  
FIG. 7 is a top plan view thereof; and,  
FIG. 8 is a bottom plan view thereof.

**1 Claim, 8 Drawing Sheets**



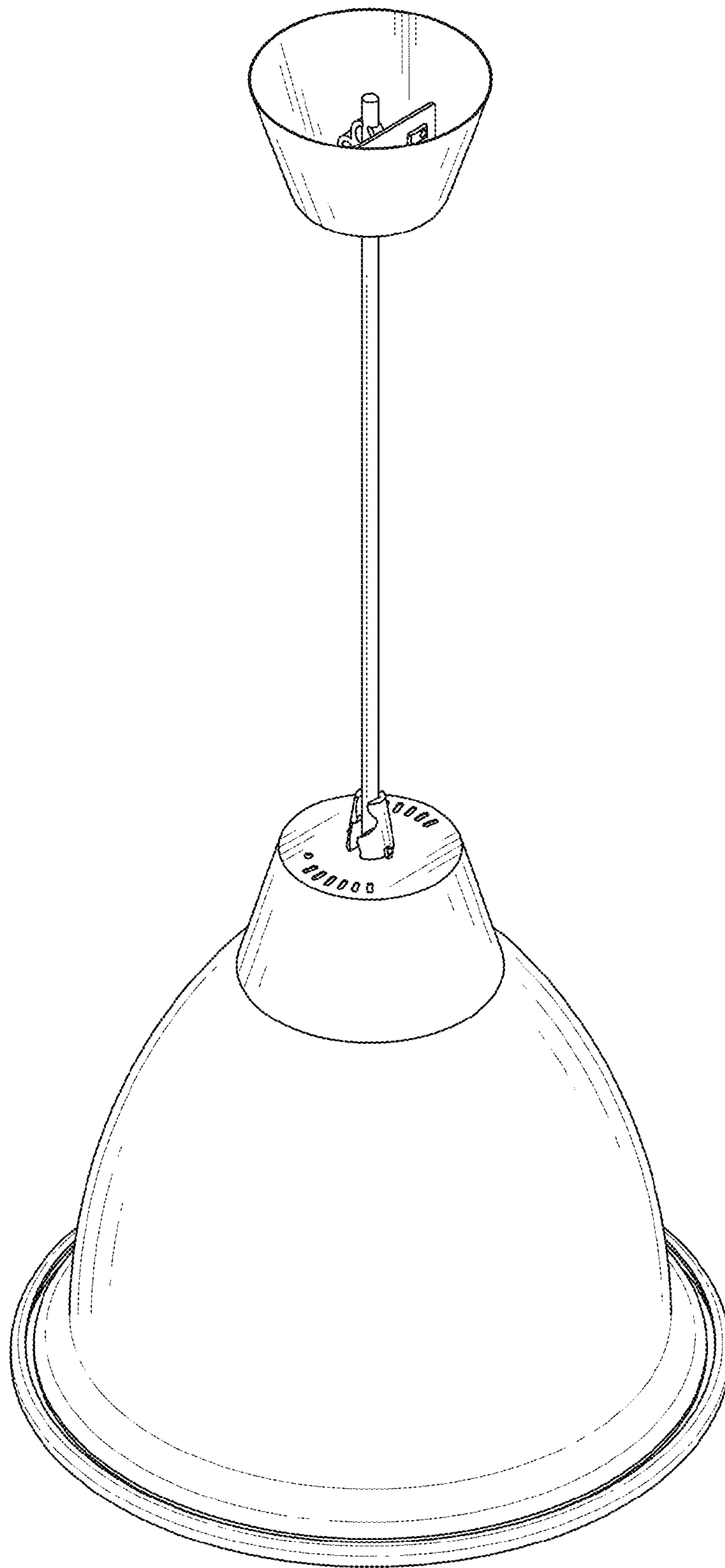


FIG. 1

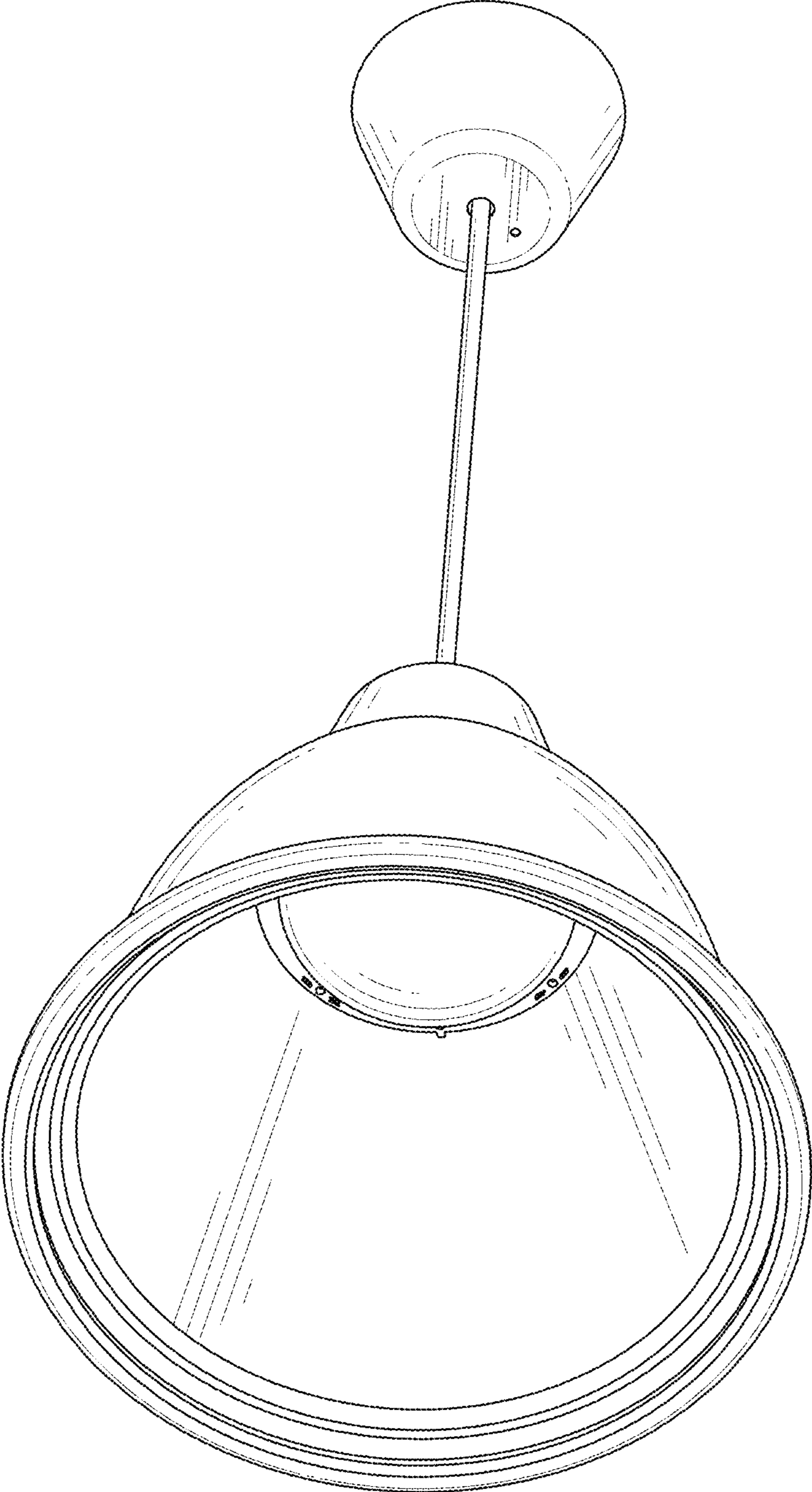


FIG. 2

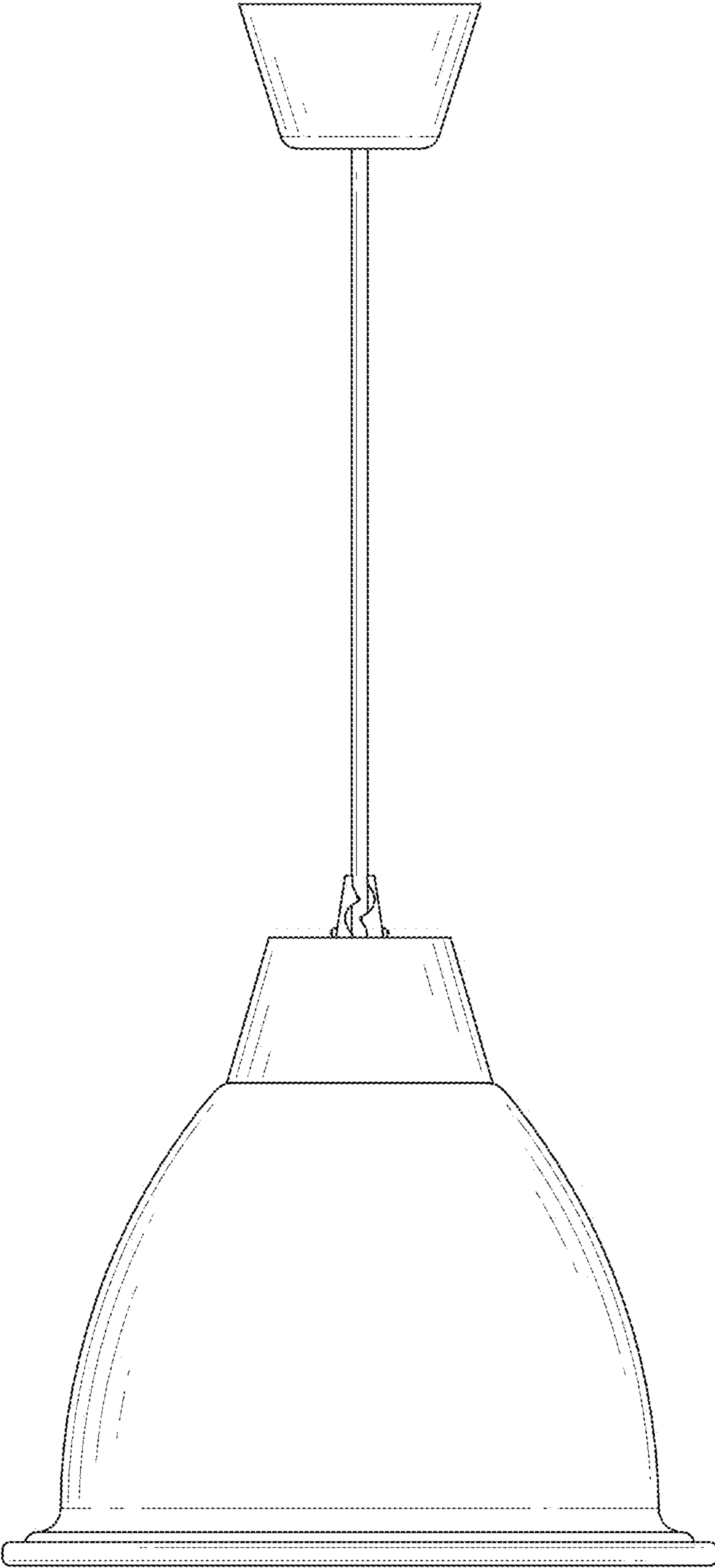


FIG. 3

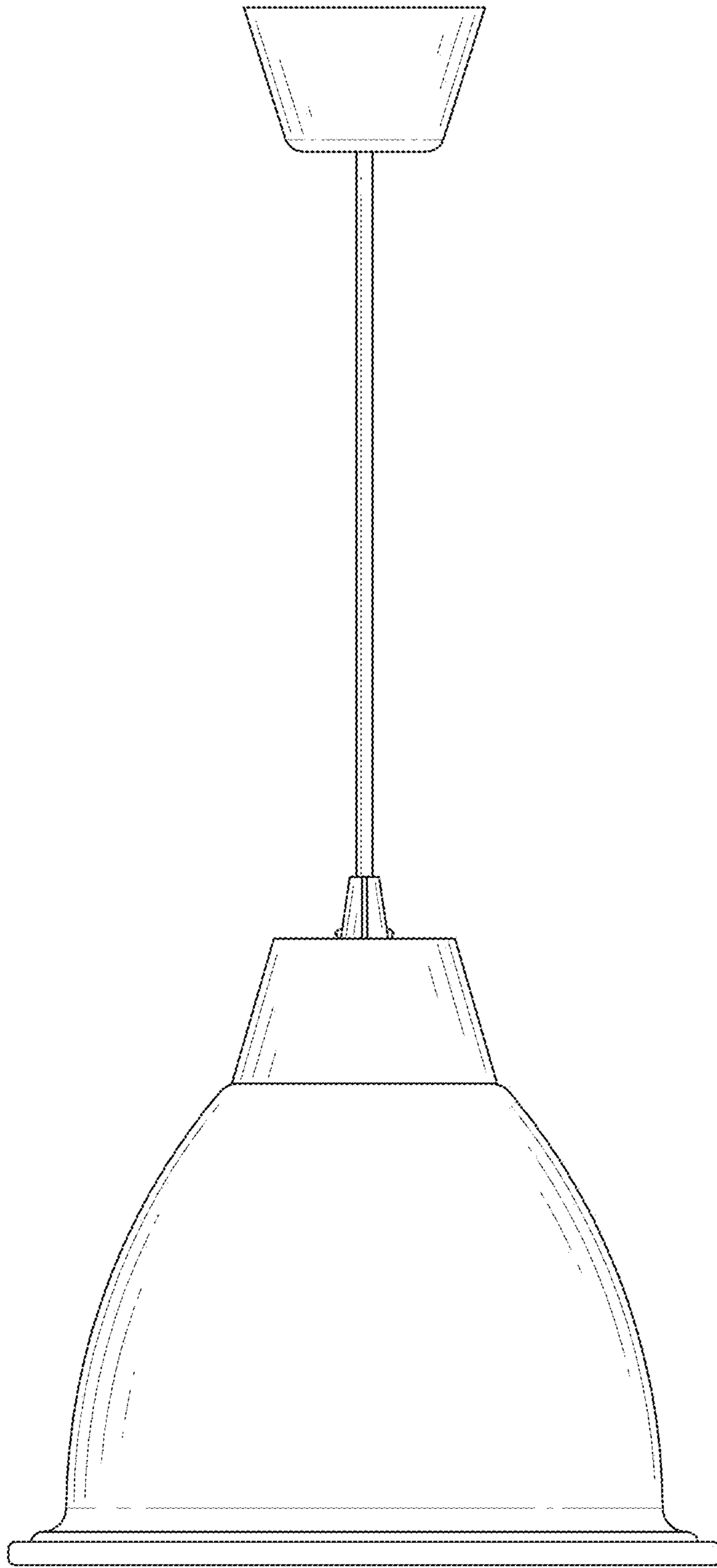


FIG. 4

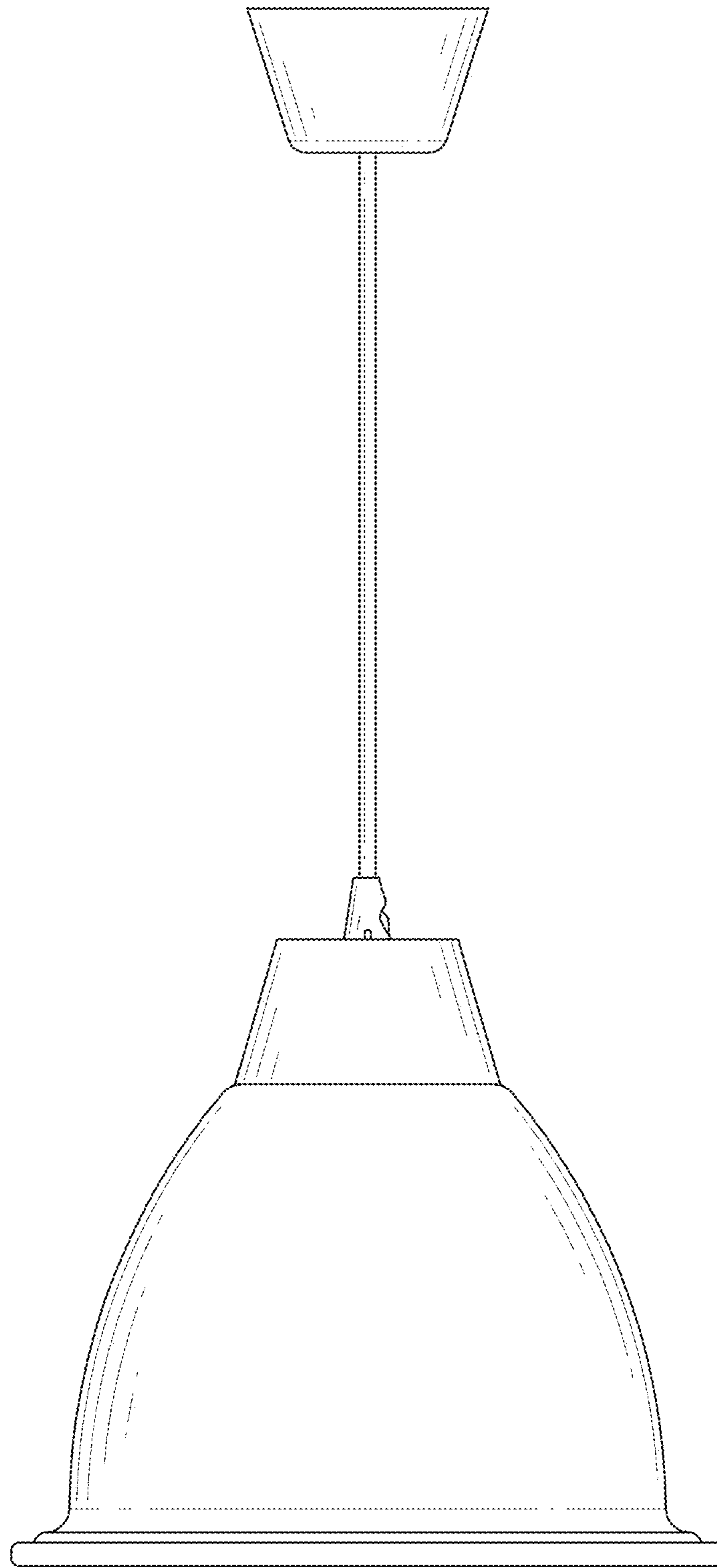


FIG. 5

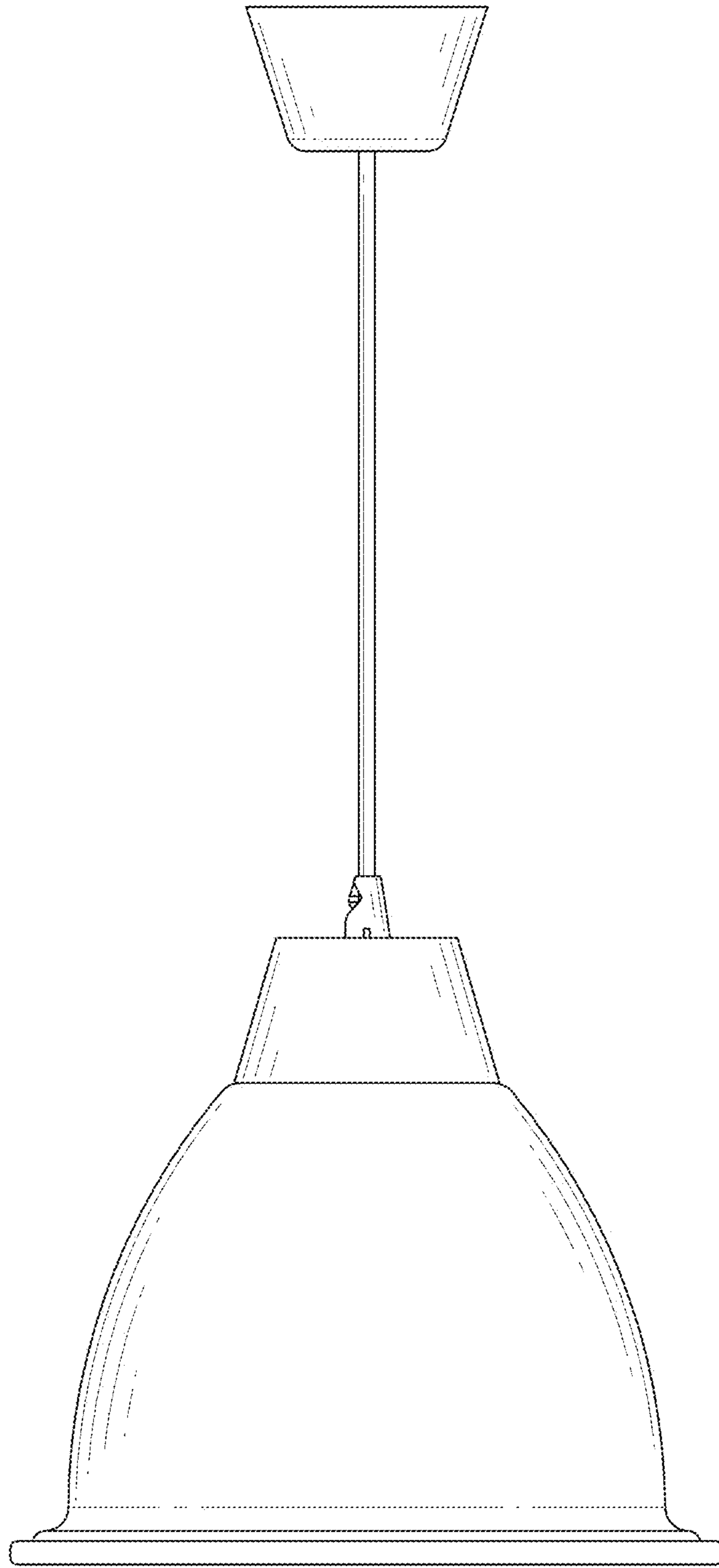


FIG. 6

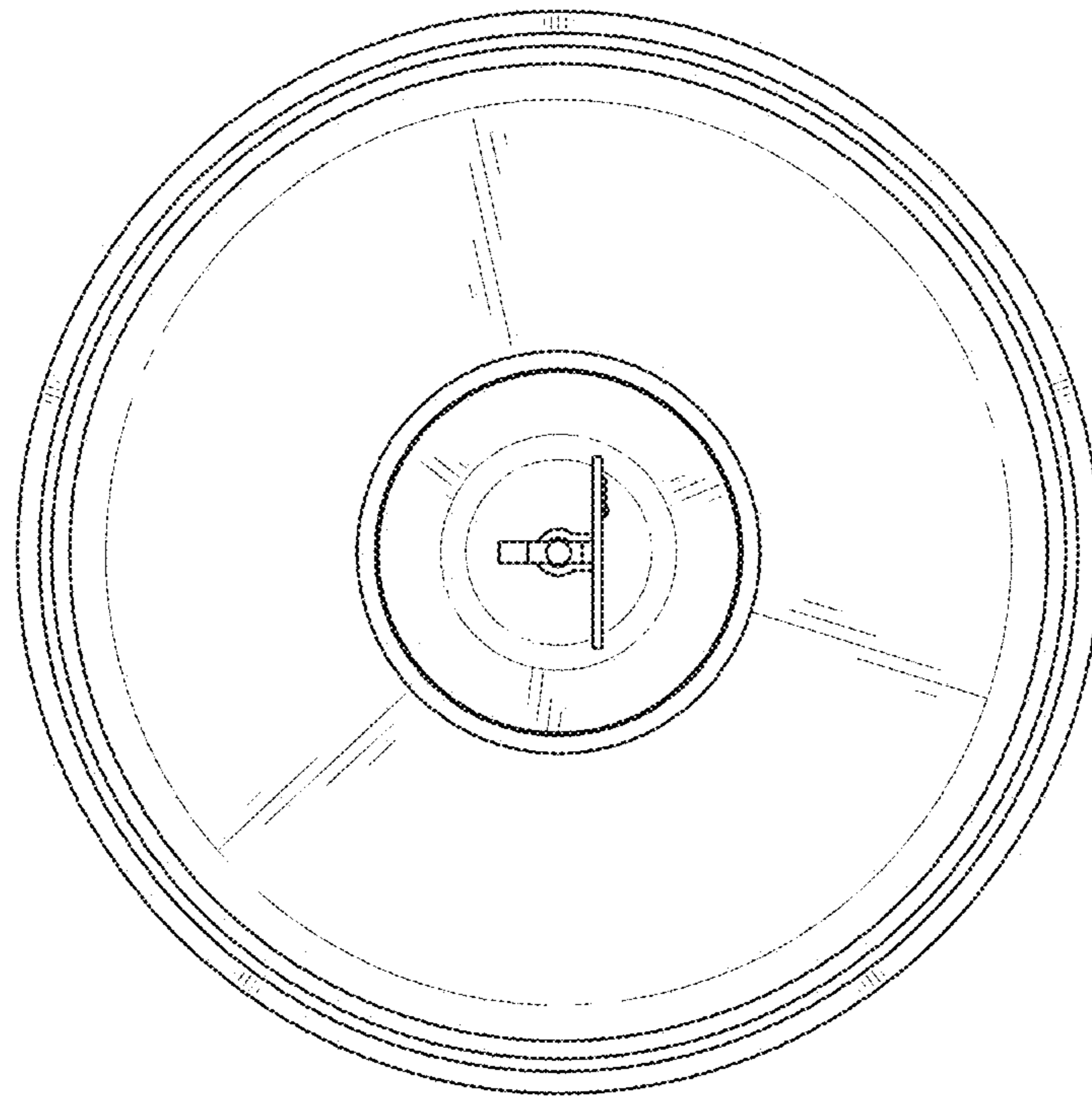


FIG. 7



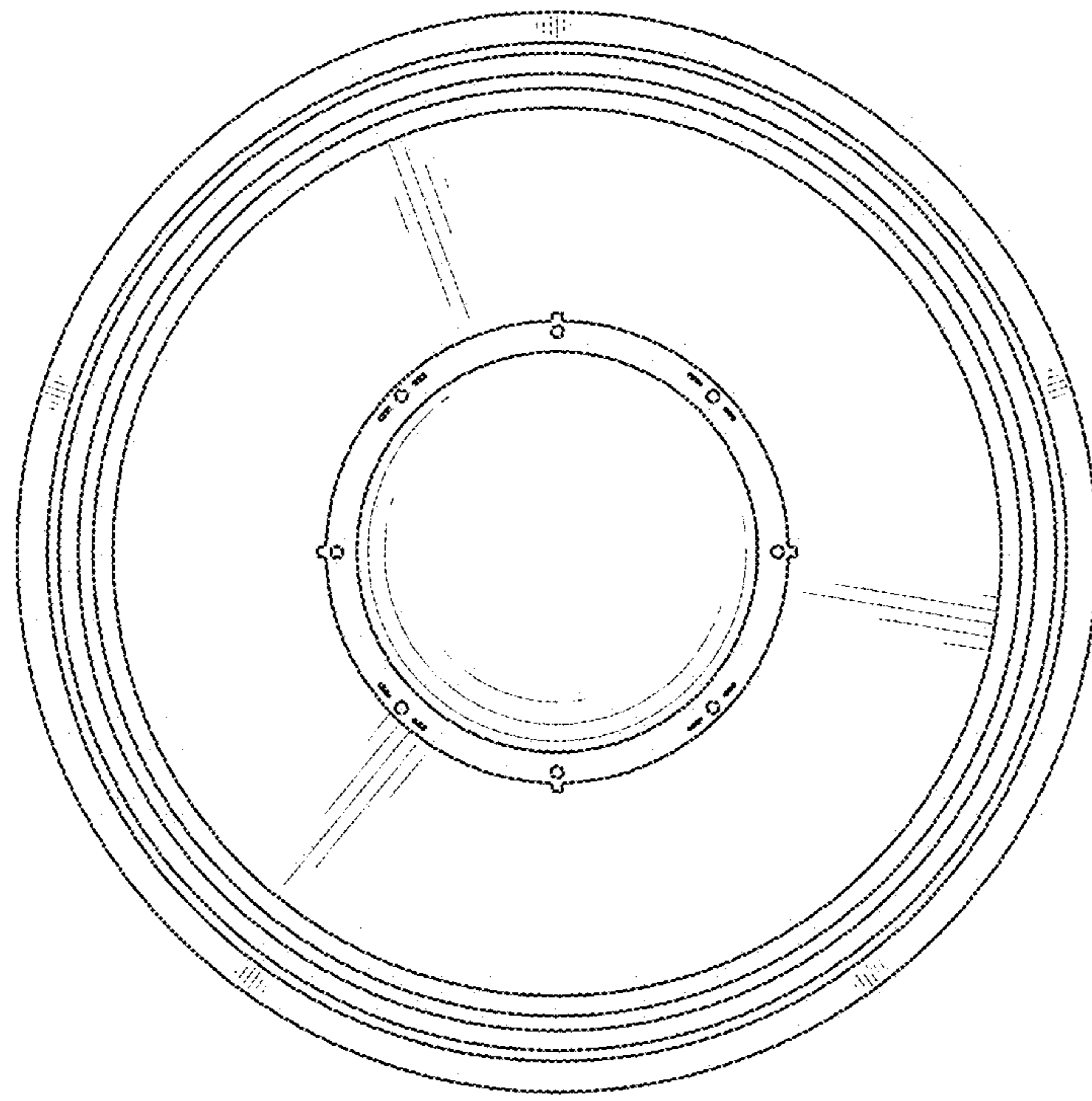


FIG. 8