



US00D829359S

(12) **United States Design Patent**
Zhang

(10) **Patent No.:** **US D829,359 S**

(45) **Date of Patent:** **** Sep. 25, 2018**

(54) **OVAL LIGHT**

(71) Applicant: **Donglin Zhang**, Guangdong (CN)

(72) Inventor: **Donglin Zhang**, Guangdong (CN)

(**) Term: **15 Years**

(21) Appl. No.: **29/617,433**

(22) Filed: **Sep. 14, 2017**

(51) **LOC (11) Cl.** **26-03**

(52) **U.S. Cl.**
USPC **D26/85**

(58) **Field of Classification Search**
USPC D26/72, 85; D10/106.6, 106.8
CPC F21S 8/03; F21S 8/033; F21S 8/036; F21S
8/037; F21S 9/022; F21S 9/024; F21S
9/03; F21S 9/037; F21V 33/0076; F21W
2121/004; F21W 2131/107
See application file for complete search history.

(56) **References Cited**

U.S. PATENT DOCUMENTS

- D217,037 S * 3/1970 Weinstock D10/106.6
- D236,647 S * 9/1975 Stewart D20/42
- D527,483 S * 8/2006 McCarthy, III D26/72
- D626,270 S * 10/2010 Waldmann D26/85
- D627,094 S * 11/2010 Verelst D26/85
- D627,916 S * 11/2010 Butteris D26/85
- D783,881 S * 4/2017 Hollander D26/76

- 9,752,739 B2 * 9/2017 Holscher F21S 9/022
- D803,456 S * 11/2017 Yang D26/85
- D808,569 S * 1/2018 Ban D26/85

OTHER PUBLICATIONS

NiteLED Wall Wedge IP54 3W 4000K 150lm 2D0320-4175935.
from JCC Lighting. Datasheet dated Apr. 25, 2018. (Year: 2018).*
Zeefo Rechargeable Motion Sensor Wall Light, Model No. ZF200.
Date first available at amazon.com—Feb. 26, 2016. (Year: 2016).*

* cited by examiner

Primary Examiner — Clare E Heflin

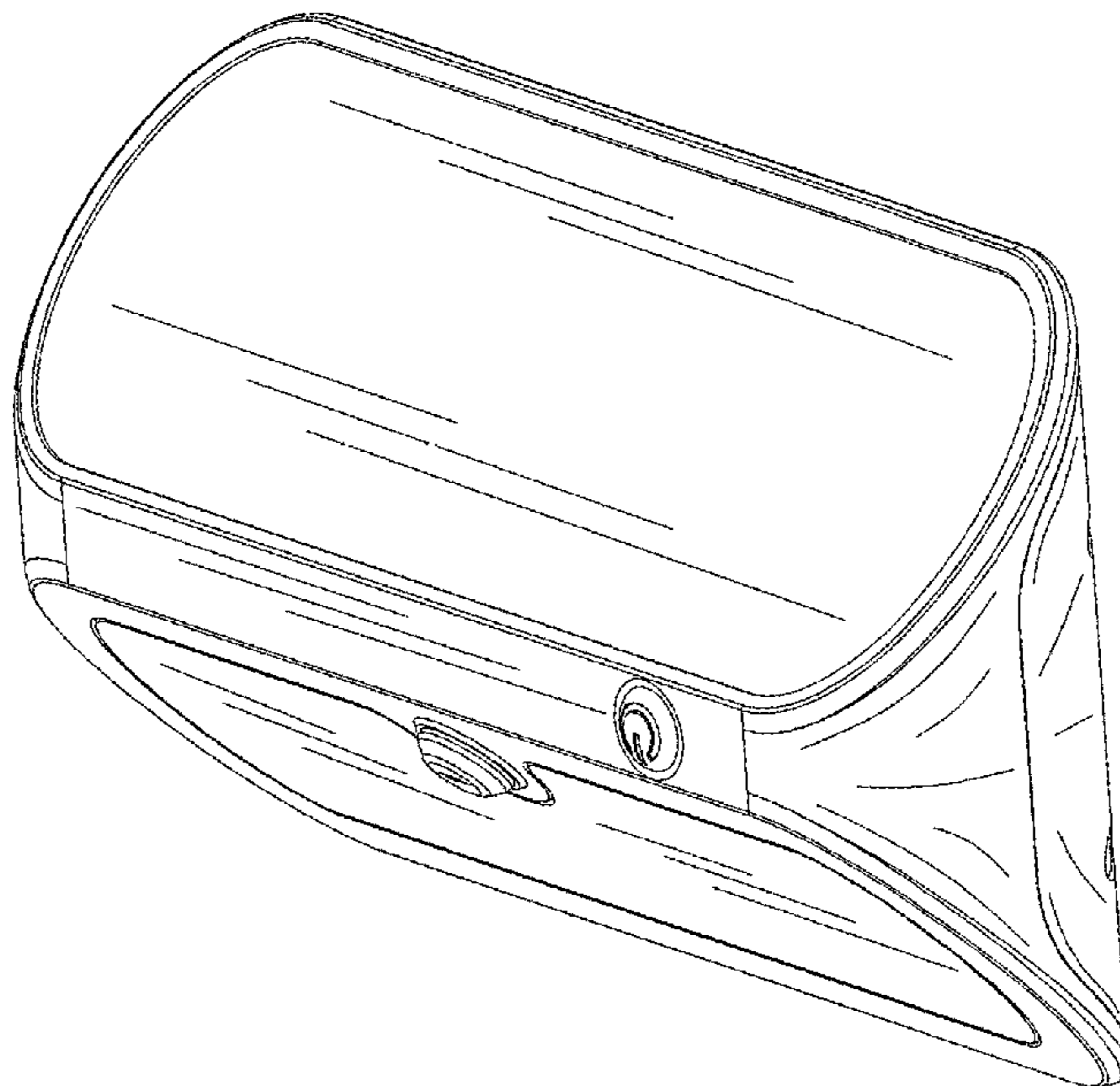
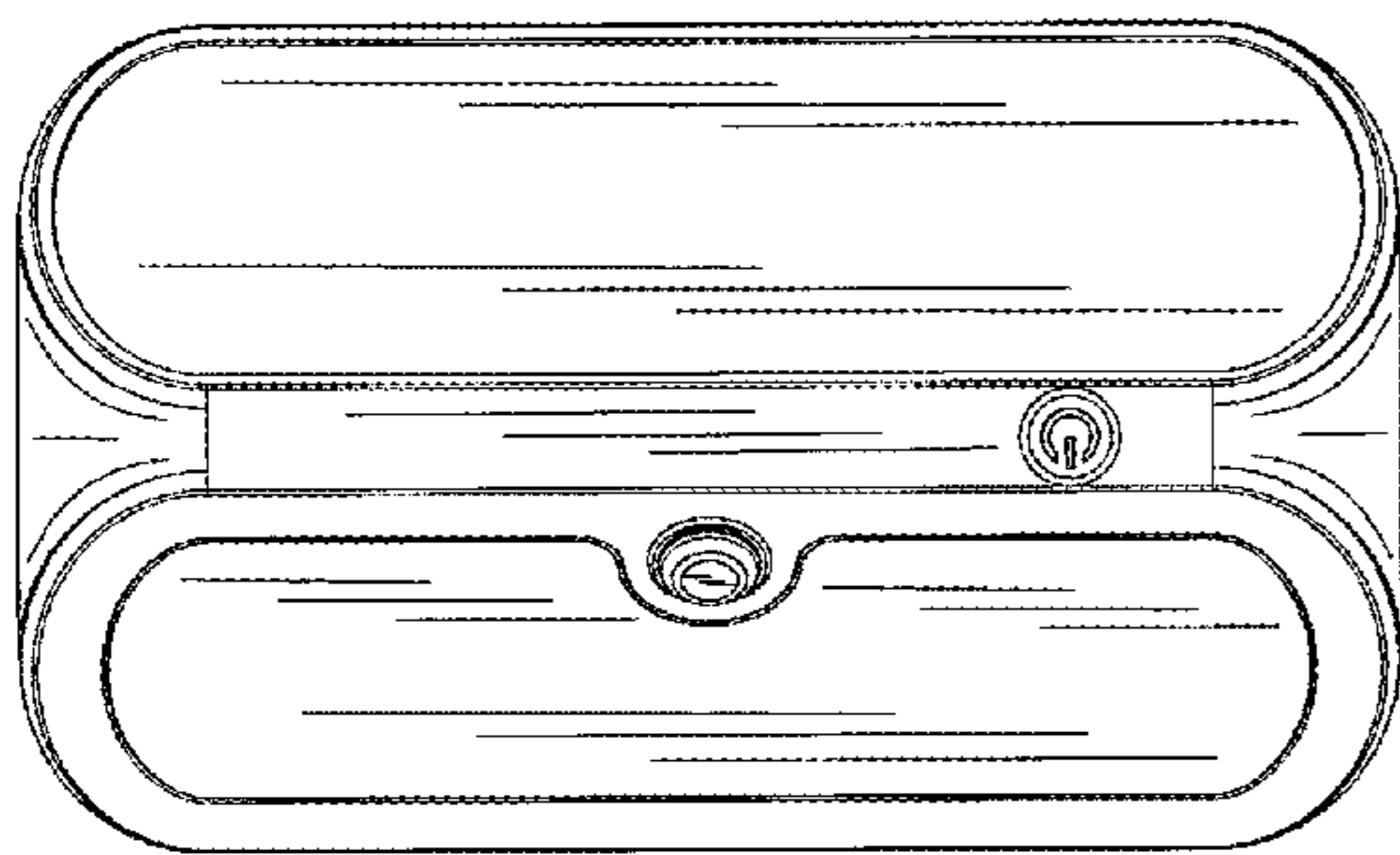
(57) **CLAIM**

The ornamental design for an oval light, as shown and described.

DESCRIPTION

FIG. 1 is a front elevational view of an oval light showing my new design;
FIG. 2 is a rear elevational view thereof;
FIG. 3 is a left side view thereof;
FIG. 4 is a right side view thereof;
FIG. 5 is a top plan view thereof;
FIG. 6 is a bottom plan view thereof; and,
FIG. 7 is a perspective view thereof.
The broken lines shown on the drawings depict portions of the oval light that form no part of the claimed design.

1 Claim, 4 Drawing Sheets



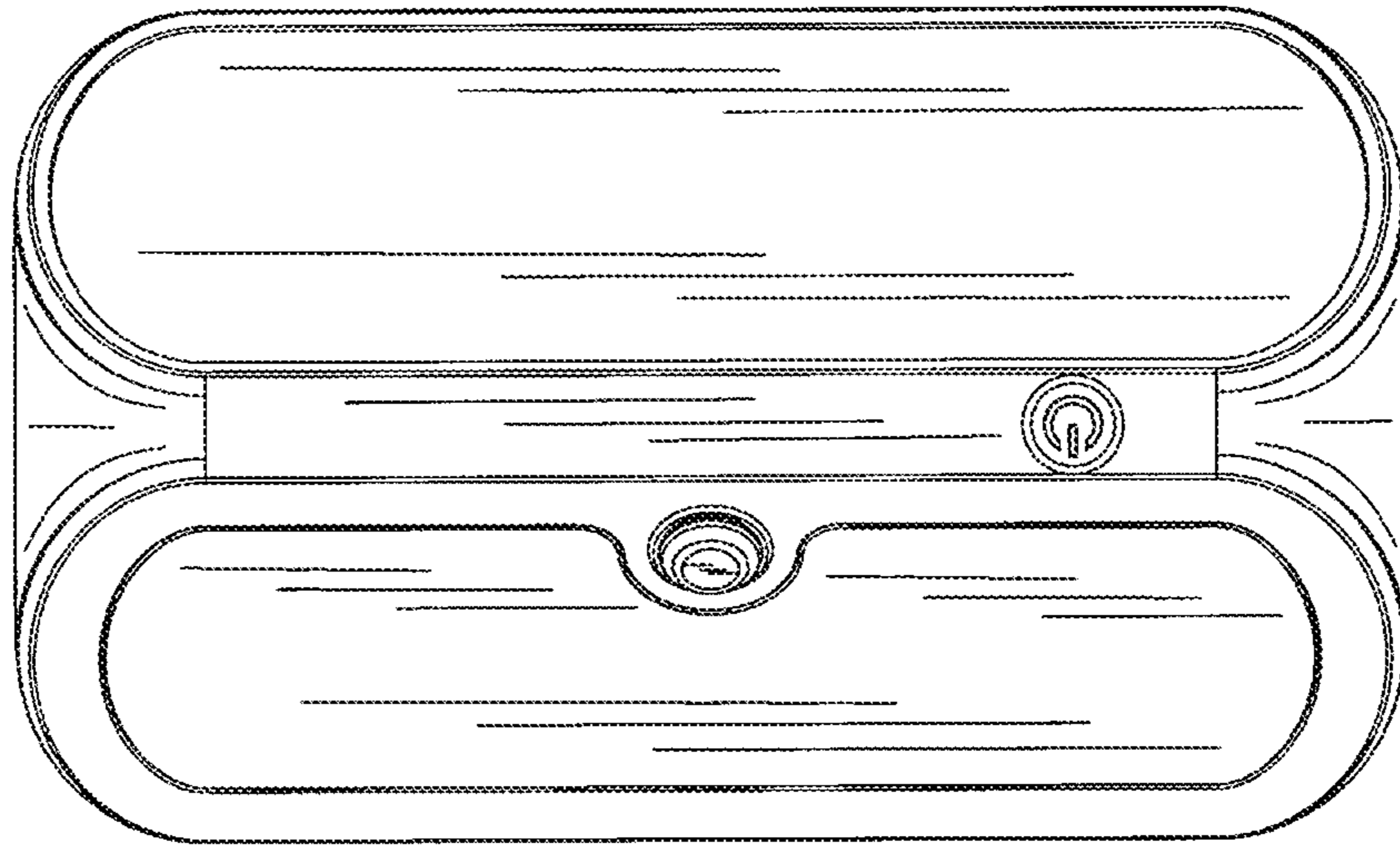


Fig. 1

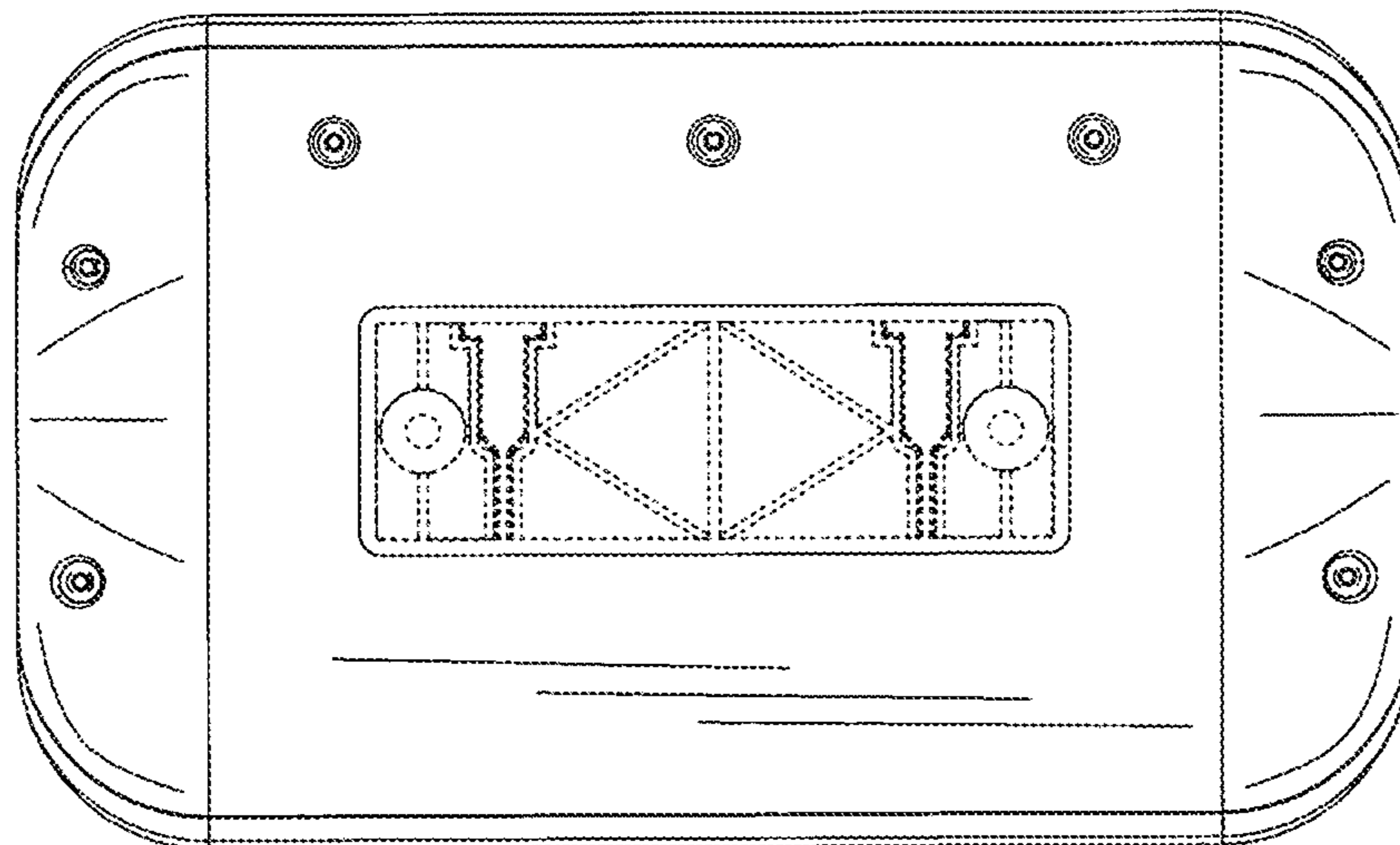


Fig. 2

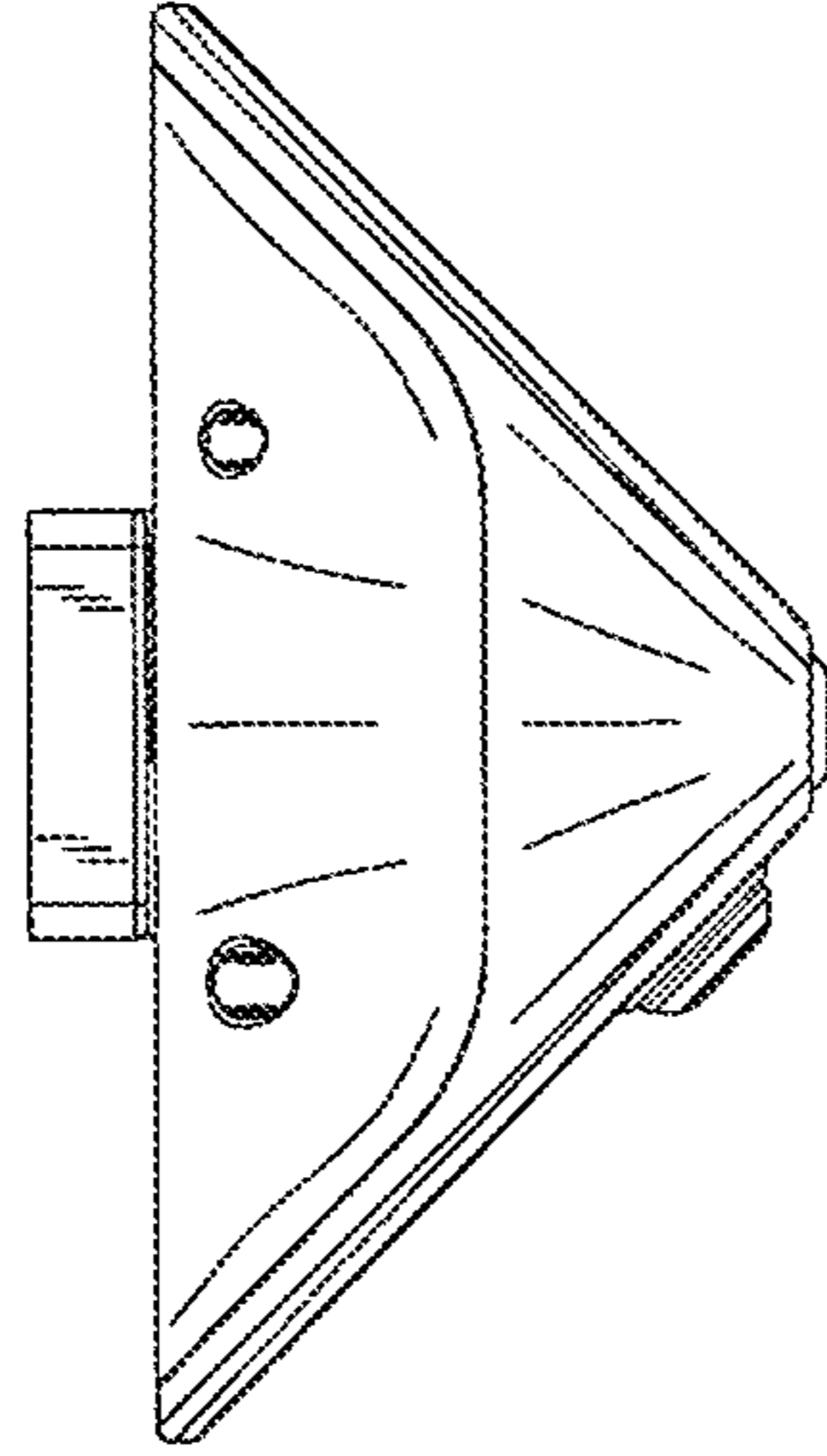


Fig. 3

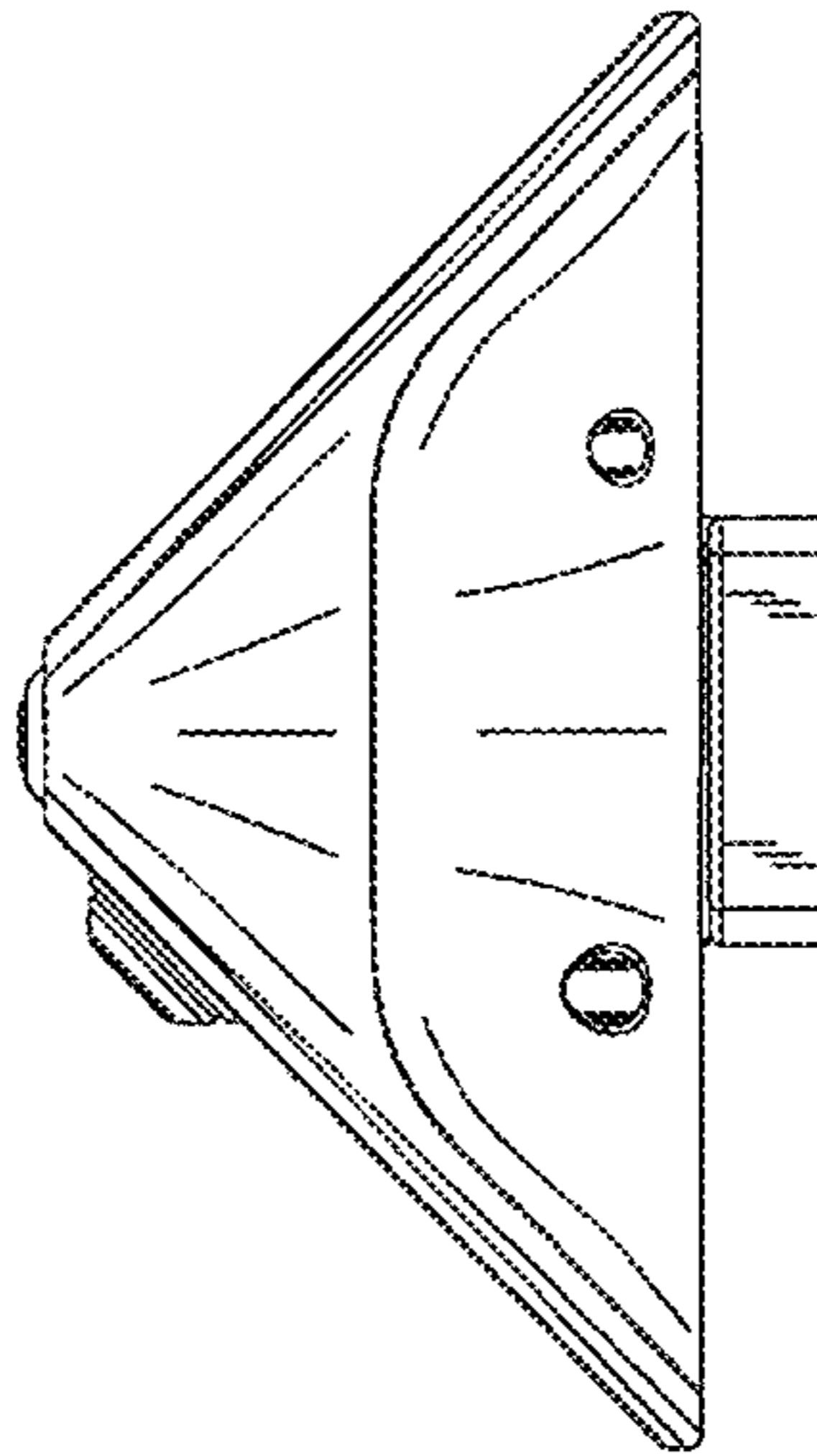


Fig. 4

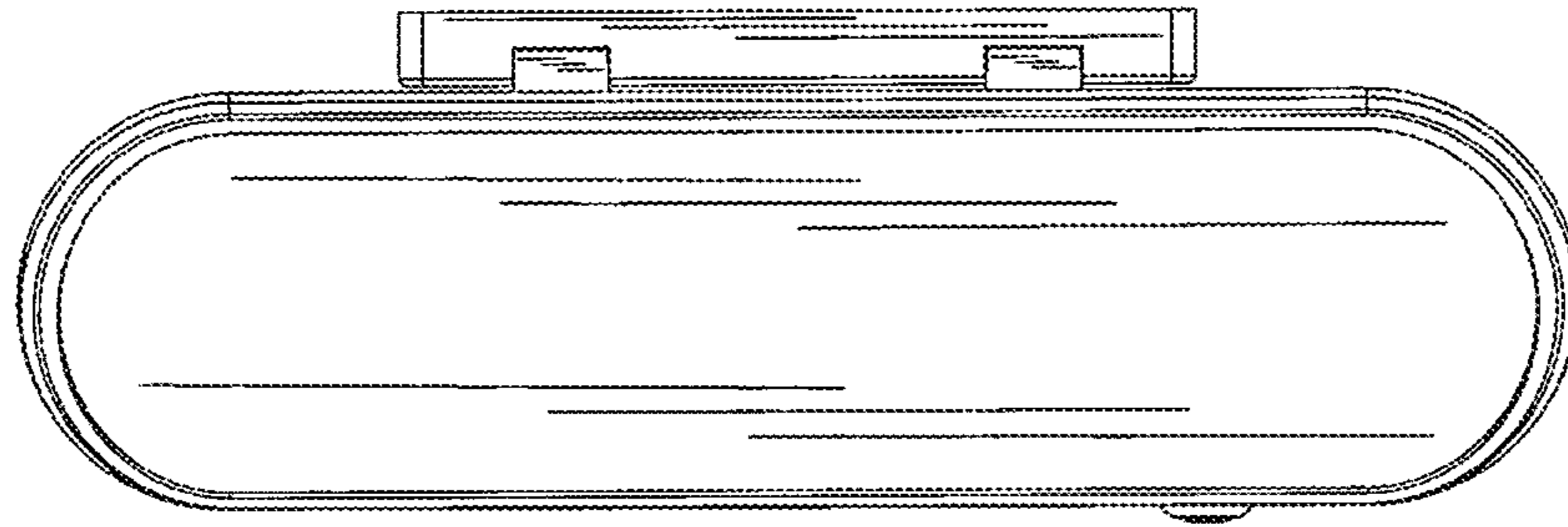


Fig. 5

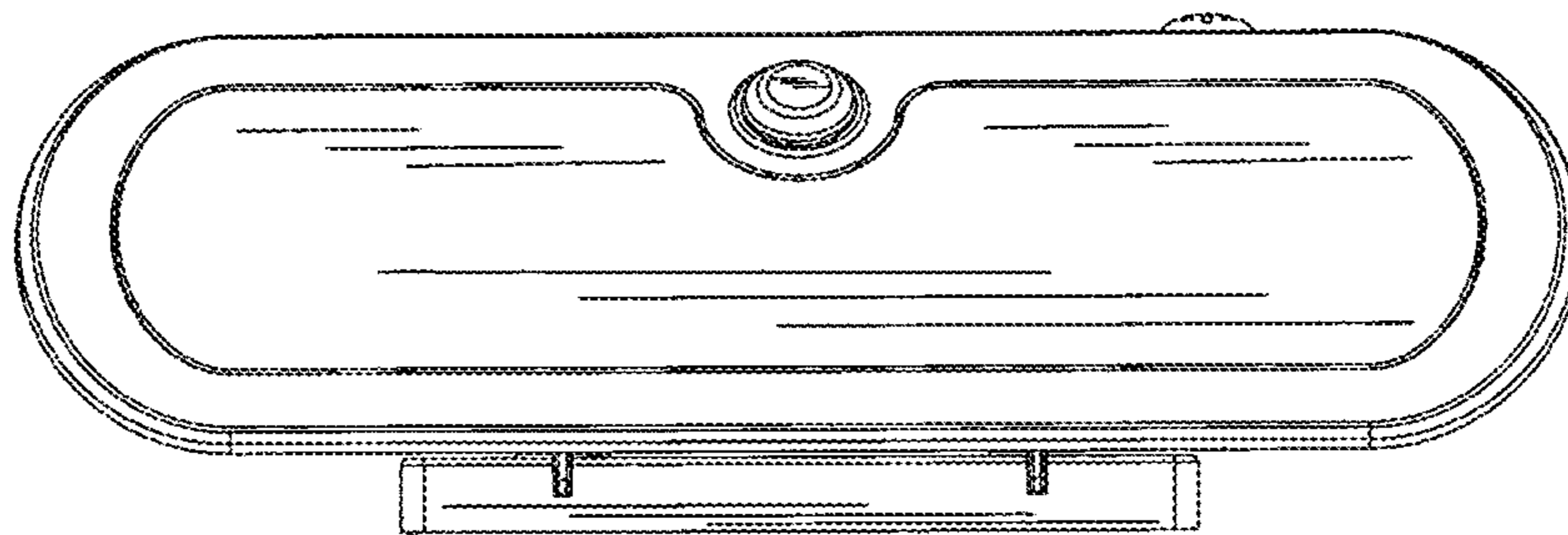


Fig. 6

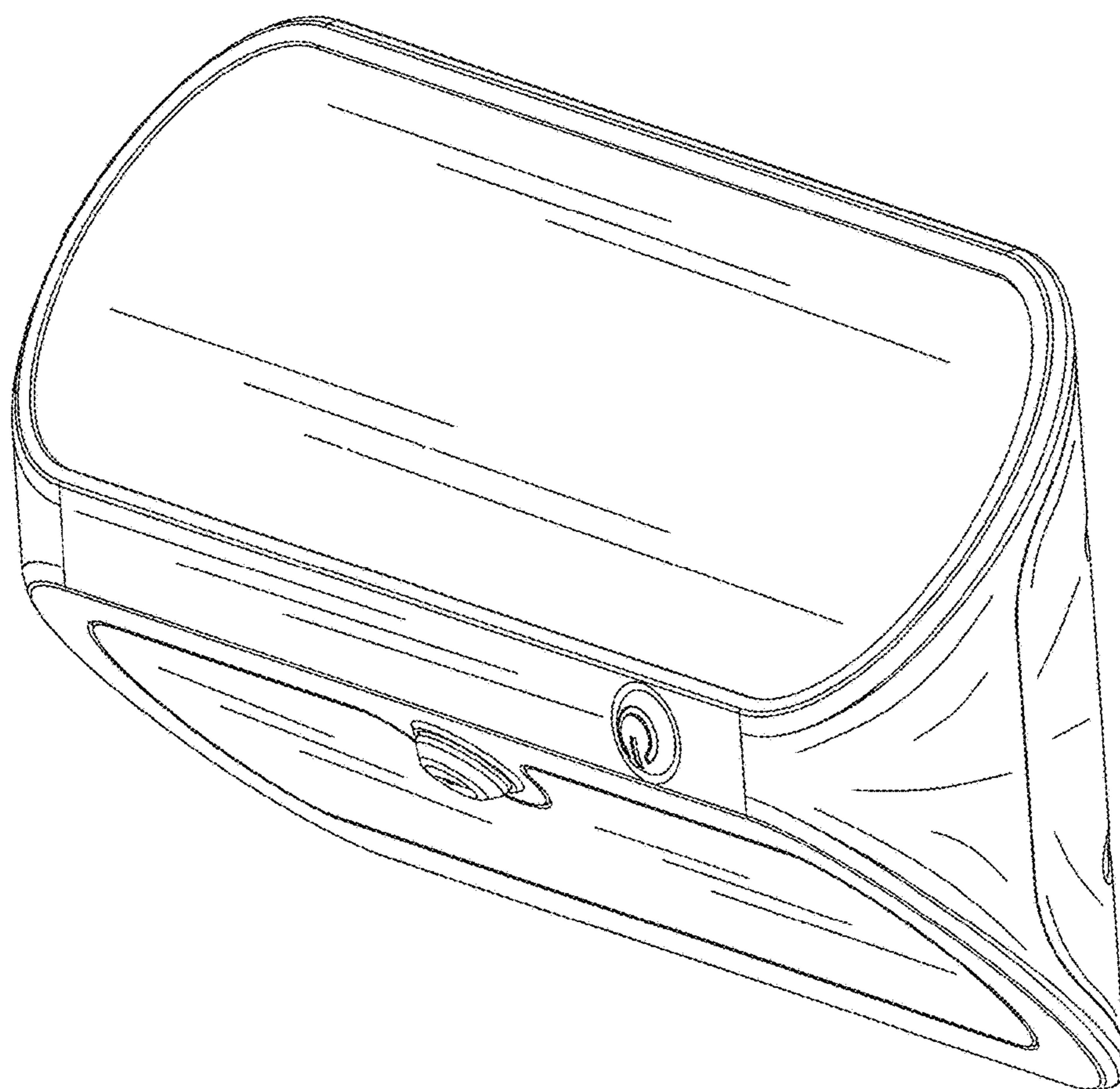


Fig. 7